



US00D710504S

(12) **United States Design Patent**
Frenkler et al.

(10) **Patent No.:** **US D710,504 S**

(45) **Date of Patent:** **** Aug. 5, 2014**

(54) **CONTROLLER FOR MEDICAL AND DENTAL MICRO MOTOR**

(71) Applicant: **J. Morita Manufacturing Corporation**,
Kyoto (JP)

(72) Inventors: **Fritz Frenkler**, Munich (DE); **Anette Ponholzer**, Munich (DE); **Hiroshi Kaneko**, Munich (DE)

(73) Assignee: **J. Morita Manufacturing Corporation**,
Kyoto (JP)

(**) Term: **14 Years**

(21) Appl. No.: **29/450,800**

(22) Filed: **Mar. 22, 2013**

(30) **Foreign Application Priority Data**

Oct. 5, 2012 (JP) 2012-024369

(51) **LOC (10) Cl.** **24-01**

(52) **U.S. Cl.**
USPC **D24/177**

(58) **Field of Classification Search**
USPC D24/152, 156, 176–179, 180–182, 146;
D13/162, 184; 600/301; 433/27–29,
433/80, 82, 86, 98, 114, 125–126, 224, 229
See application file for complete search history.

(56) **References Cited**

U.S. PATENT DOCUMENTS

4,243,388 A * 1/1981 Arai 433/27
5,961,327 A * 10/1999 Lohn 433/80

D555,244 S * 11/2007 Nakanishi D24/176
D618,353 S * 6/2010 Sanga D24/177
D631,164 S * 1/2011 Kagawa D24/177
D631,549 S * 1/2011 Kagawa D24/177
8,192,359 B2 * 6/2012 Kusakabe et al. 600/301
D663,423 S * 7/2012 Kagawa D24/177
D670,392 S * 11/2012 Kagawa D24/177
8,314,605 B2 * 11/2012 Pruckner et al. 324/120
D699,854 S * 2/2014 Kagawa D24/177
2008/0241783 A1 * 10/2008 Yamashita et al. 433/72
2012/0064483 A1 * 3/2012 Lint et al. 433/101

* cited by examiner

Primary Examiner — Wan Laymon

(74) *Attorney, Agent, or Firm* — McDonald Hopkins LLC

(57) **CLAIM**

The ornamental design for a controller for medical and dental micro motor, as shown and described.

DESCRIPTION

FIG. 1 is a front view of a controller for medical and dental micro motor showing our new design;
FIG. 2 is a back view hereof;
FIG. 3 is a left view thereof;
FIG. 4 is a top view thereof;
FIG. 5 is a bottom view thereof;
FIG. 6 is a reduced front perspective view thereof in the used state; and,
FIG. 7 is a reduced back perspective view thereof, showing a cover opening.
The broken lines shown in the figures represent portions of the controller for medical and dental micro motor and form no part of the claimed design.

1 Claim, 7 Drawing Sheets

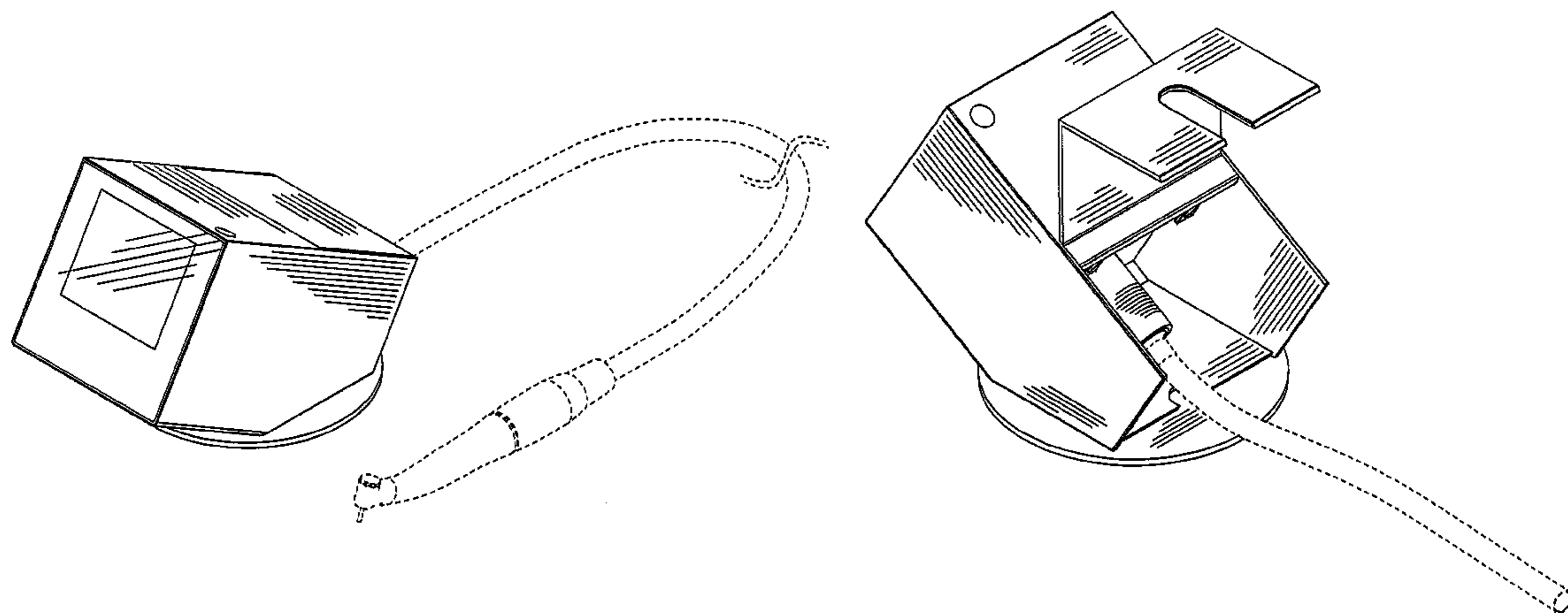


Fig 1

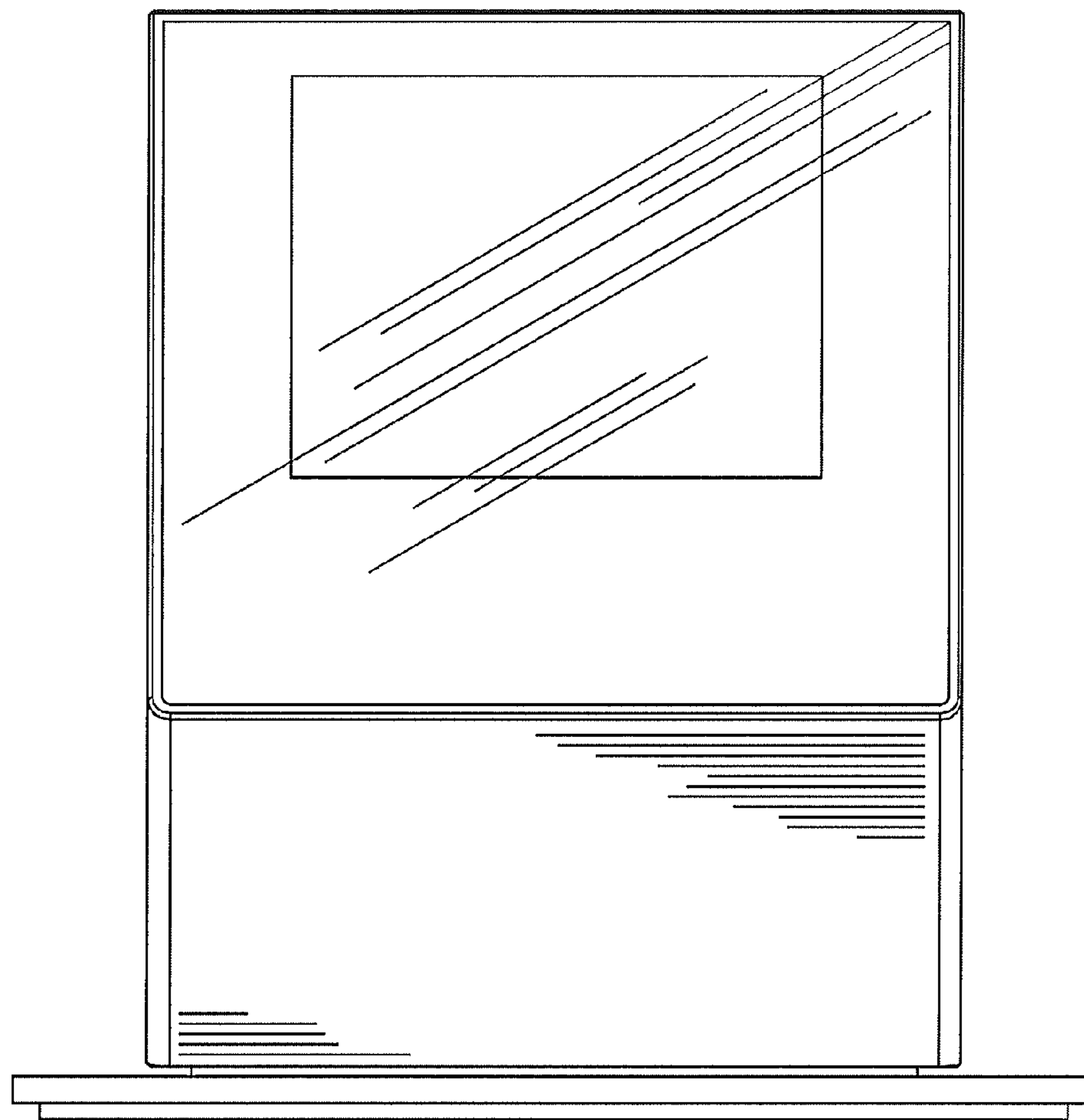


Fig 2

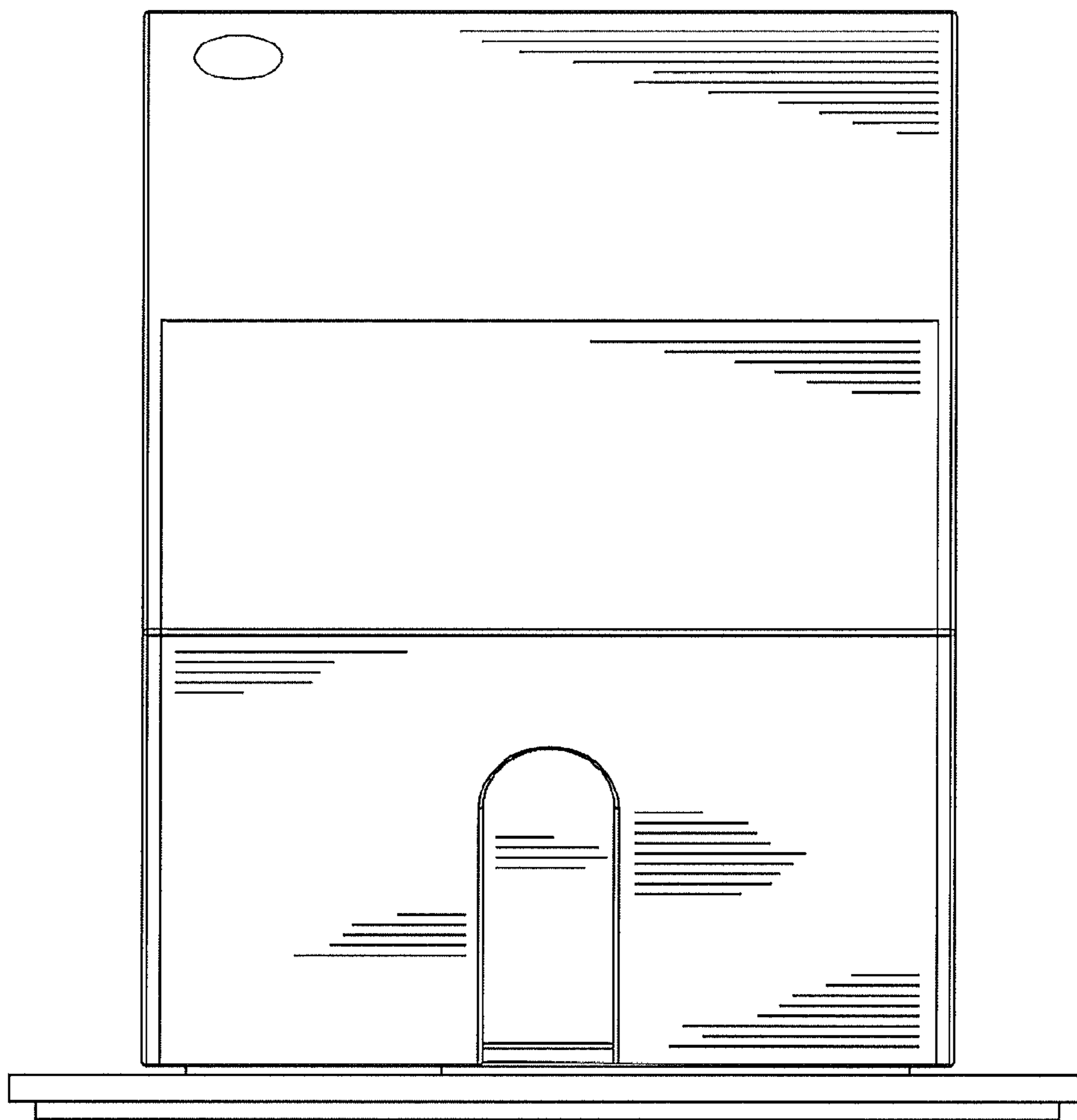


Fig 3

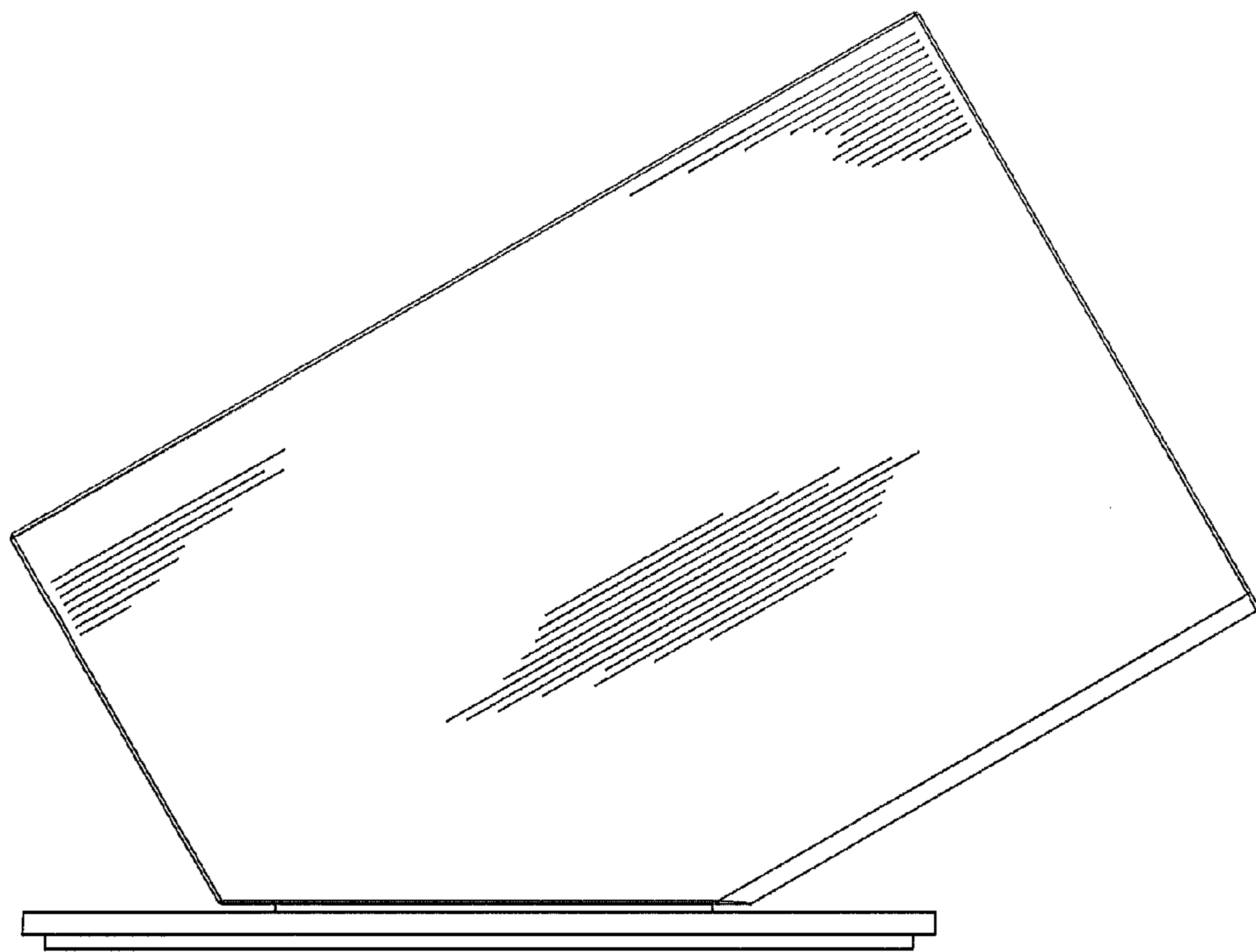


Fig 4

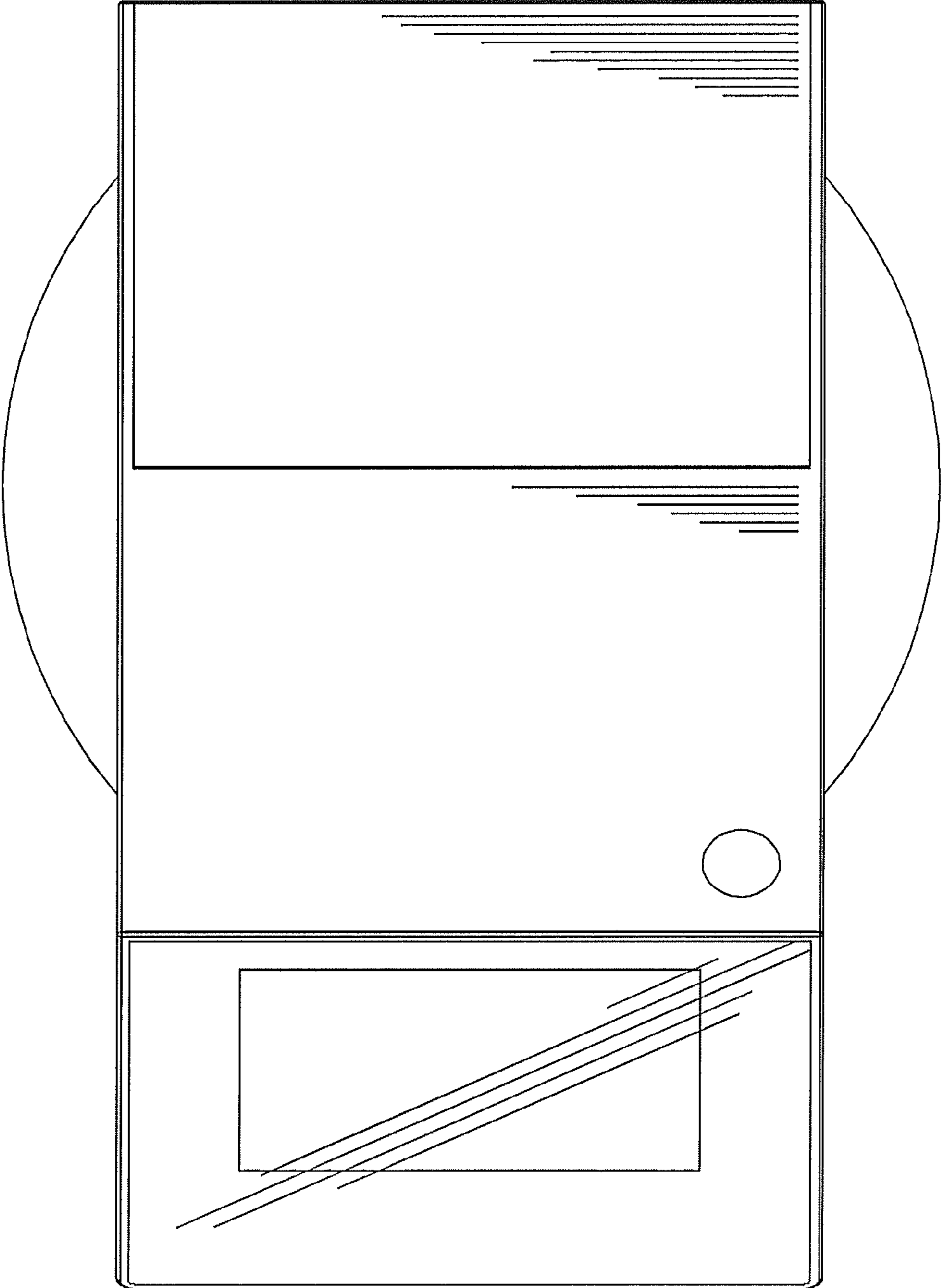


Fig 5

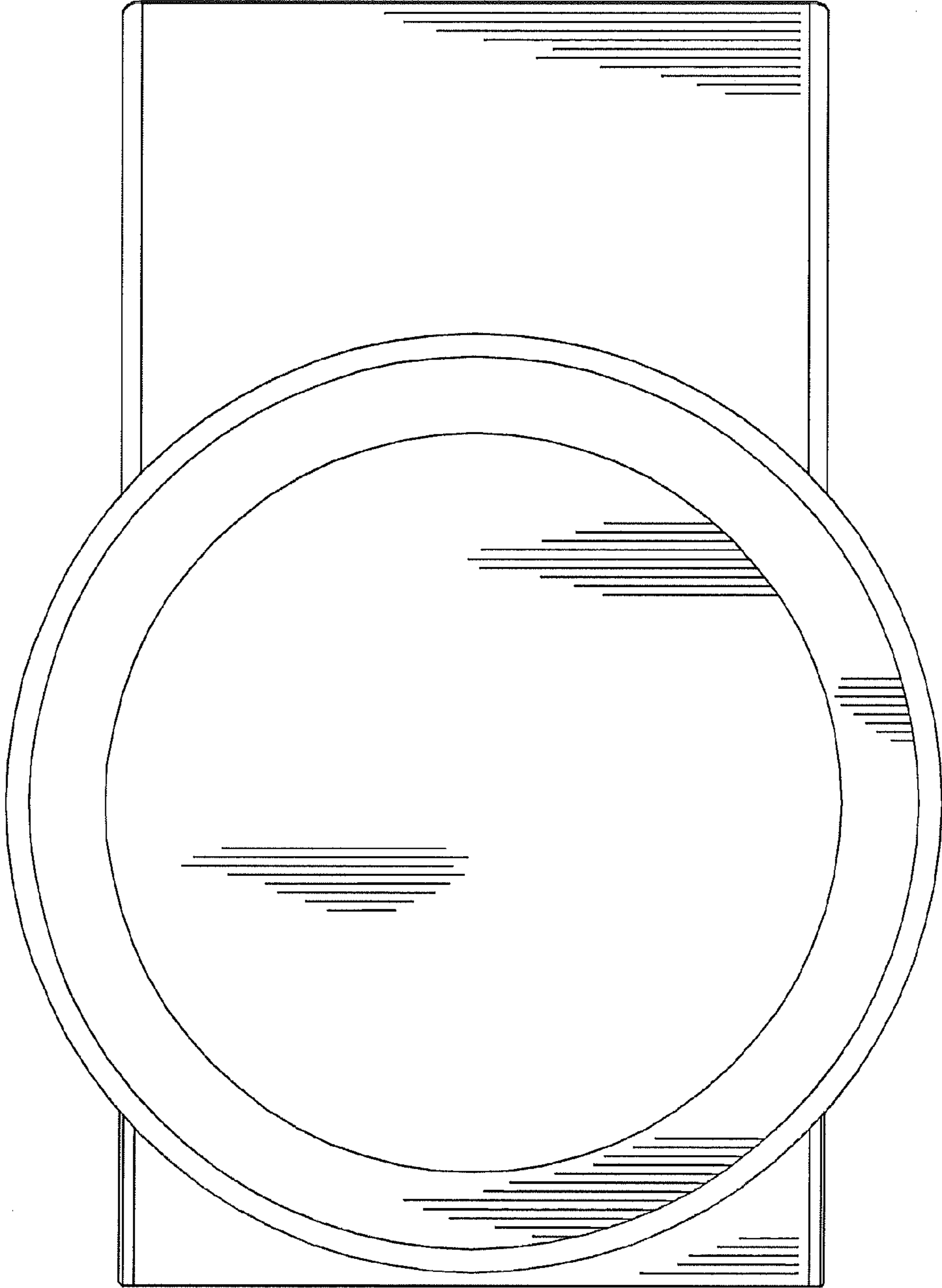


Fig 6

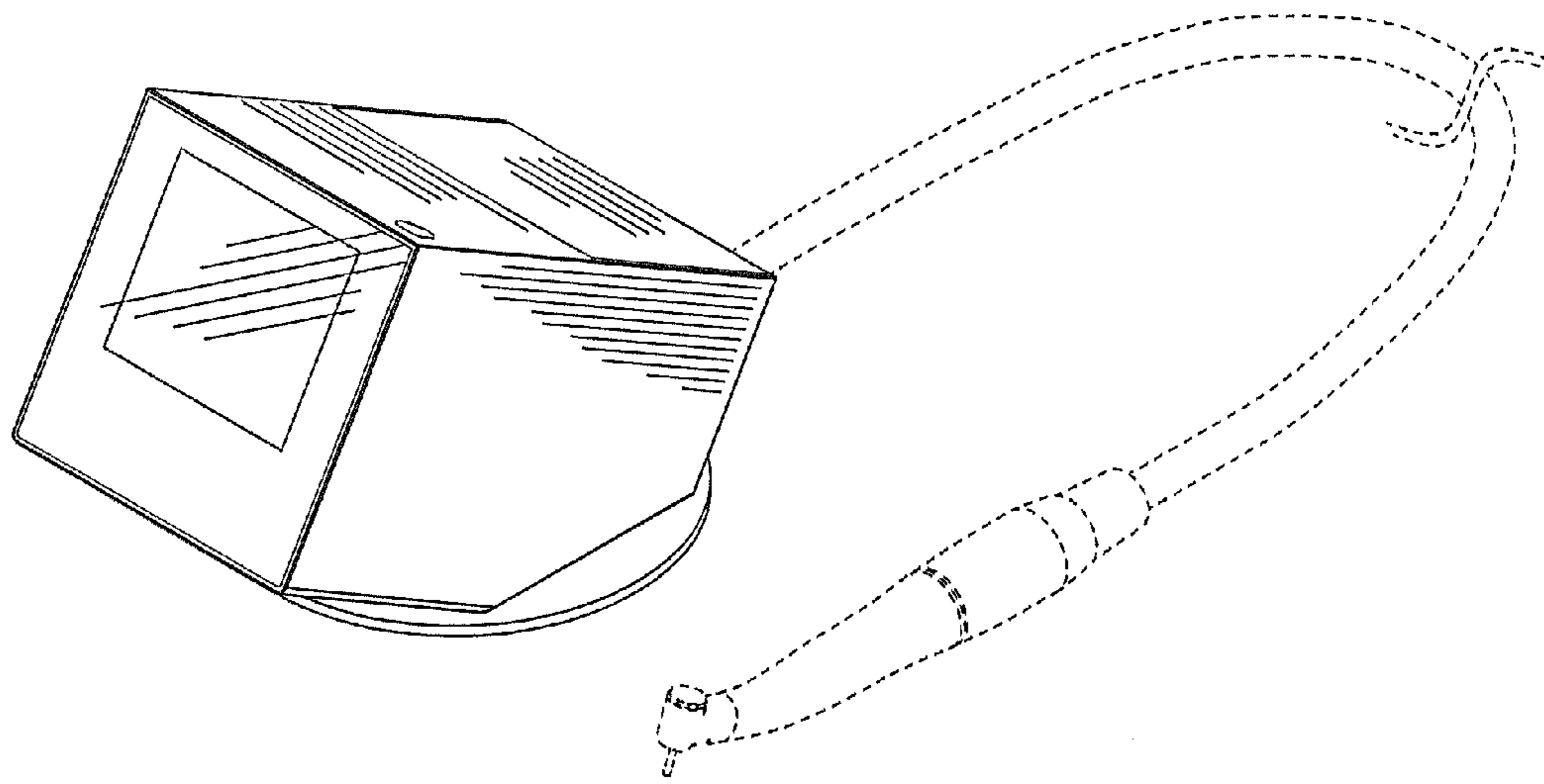


Fig 7

