



US00D710503S

(12) **United States Design Patent**
Hudson

(10) **Patent No.:** **US D710,503 S**

(45) **Date of Patent:** **** Aug. 5, 2014**

(54) **INCUBATOR FOR EGGS**

(75) Inventor: **Trevor John James Hudson,**
Rodborough (GB)

(73) Assignee: **Brinsea Products Limited,** North
Somerset (GB)

(**) Term: **14 Years**

(21) Appl. No.: **29/431,184**

(22) Filed: **Sep. 5, 2012**

(30) **Foreign Application Priority Data**

Mar. 12, 2012 (EM) 002007104-0001

(51) **LOC (10) Cl.** **24-01**

(52) **U.S. Cl.**
USPC **D24/163; D30/199**

(58) **Field of Classification Search**
USPC D24/163, 164, 185, 202, 209, 231;
600/21, 22; 119/311, 316, 317;
128/202.12, 205.26; D30/108, 117,
D30/199

See application file for complete search history.

(56) **References Cited**

U.S. PATENT DOCUMENTS

4,750,474 A *	6/1988	Dukhan et al.	600/22
D497,429 S *	10/2004	Tetrault et al.	D24/163
D567,948 S *	4/2008	Tierney et al.	D24/163
D618,859 S *	6/2010	Hudson	D30/108
D651,714 S *	1/2012	Dougherty	D24/163

* cited by examiner

Primary Examiner — Anhdao Doan

(74) *Attorney, Agent, or Firm* — MacMillan, Sobanski & Todd, LLC

(57) **CLAIM**

The ornamental design for an incubator for eggs, as shown.

DESCRIPTION

FIG. 1 is a perspective view of the top of an incubator for eggs embodying my design.

FIG. 2 is a left side elevational view thereof.

FIG. 3 is a right side elevational view thereof.

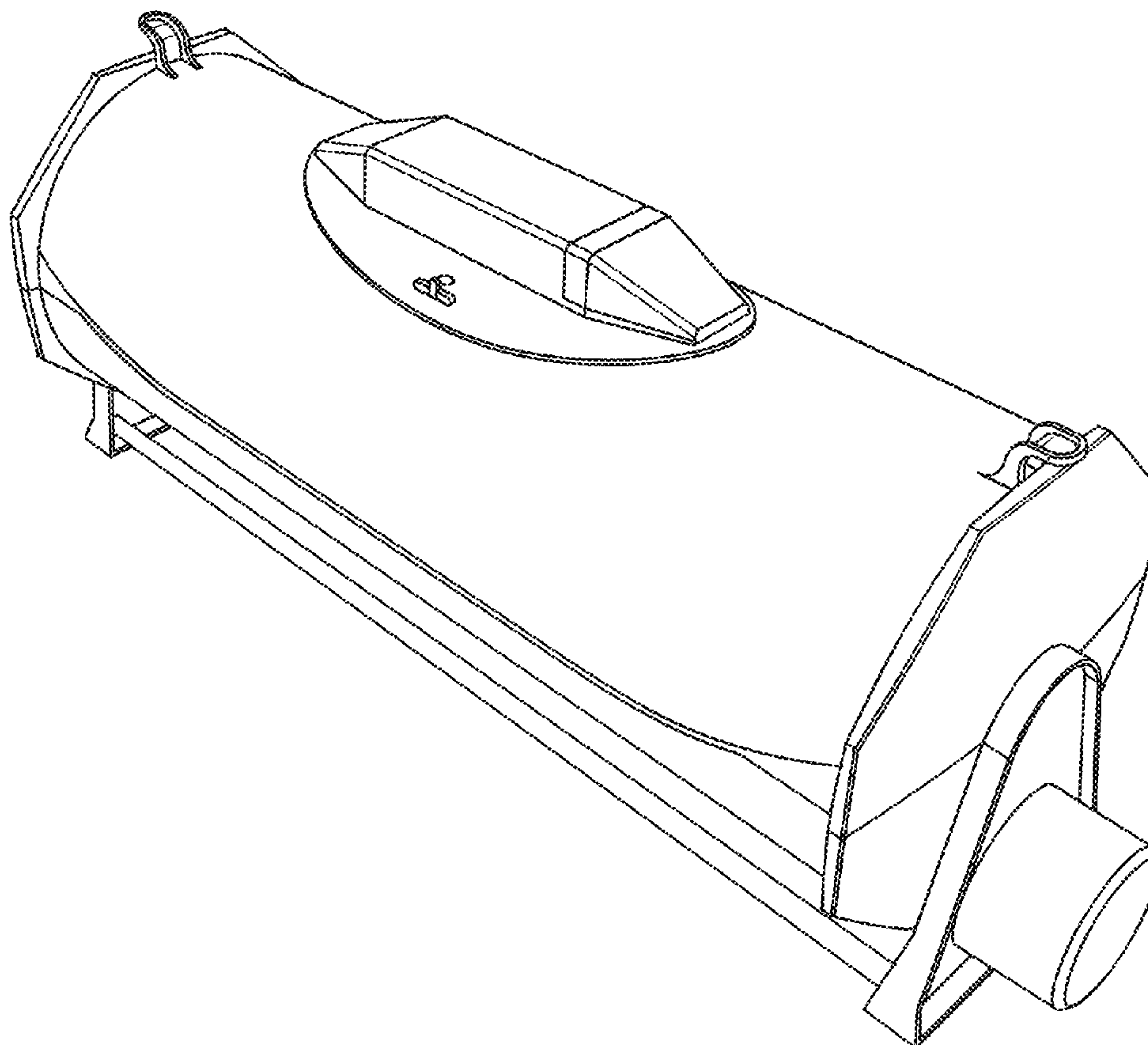
FIG. 4 is a front end elevational view thereof.

FIG. 5 is a rear end elevational view thereof.

FIG. 6 is a top plan view thereof; and,

FIG. 7 is a bottom plan view thereof.

1 Claim, 4 Drawing Sheets



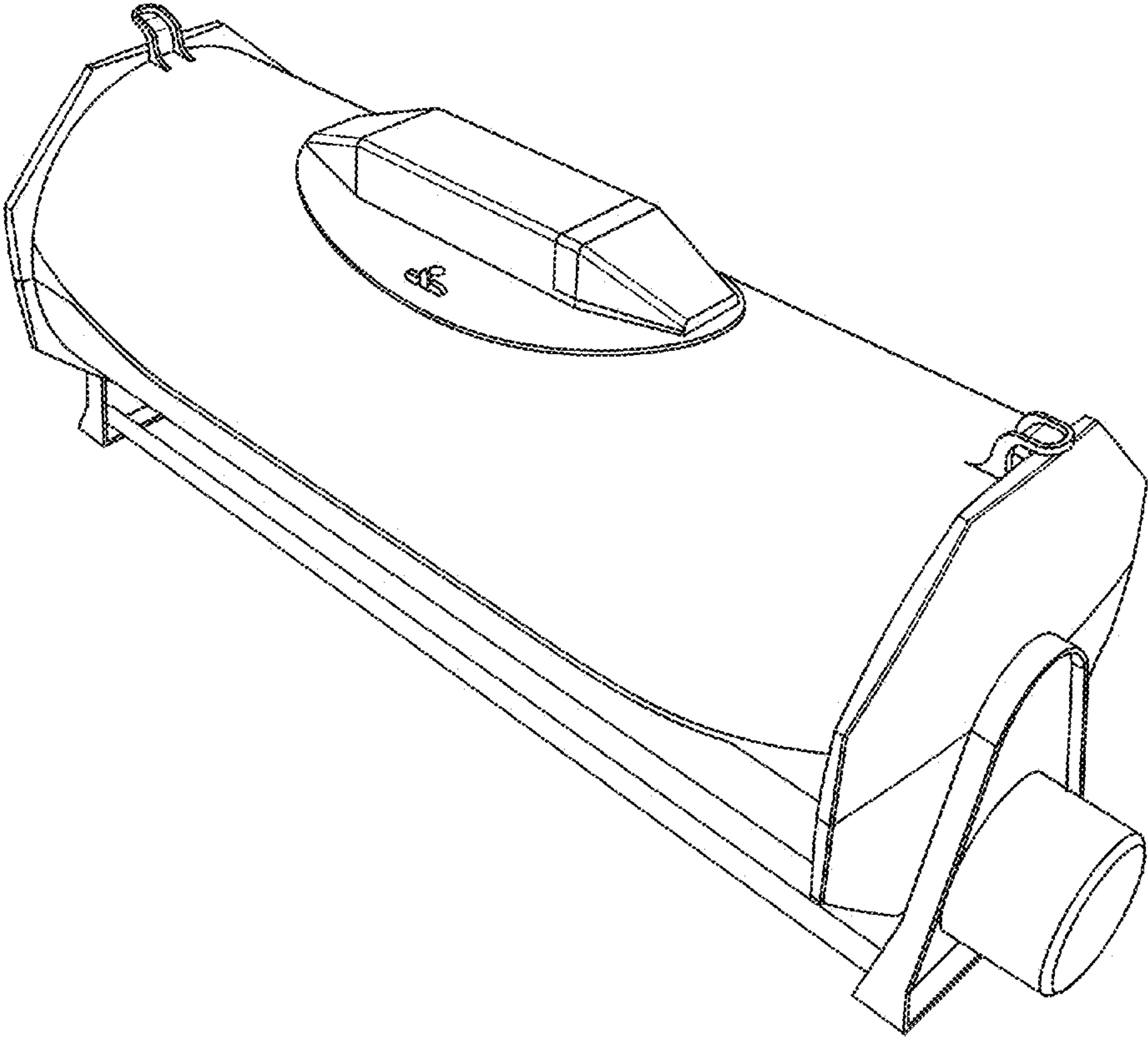


FIG. 1

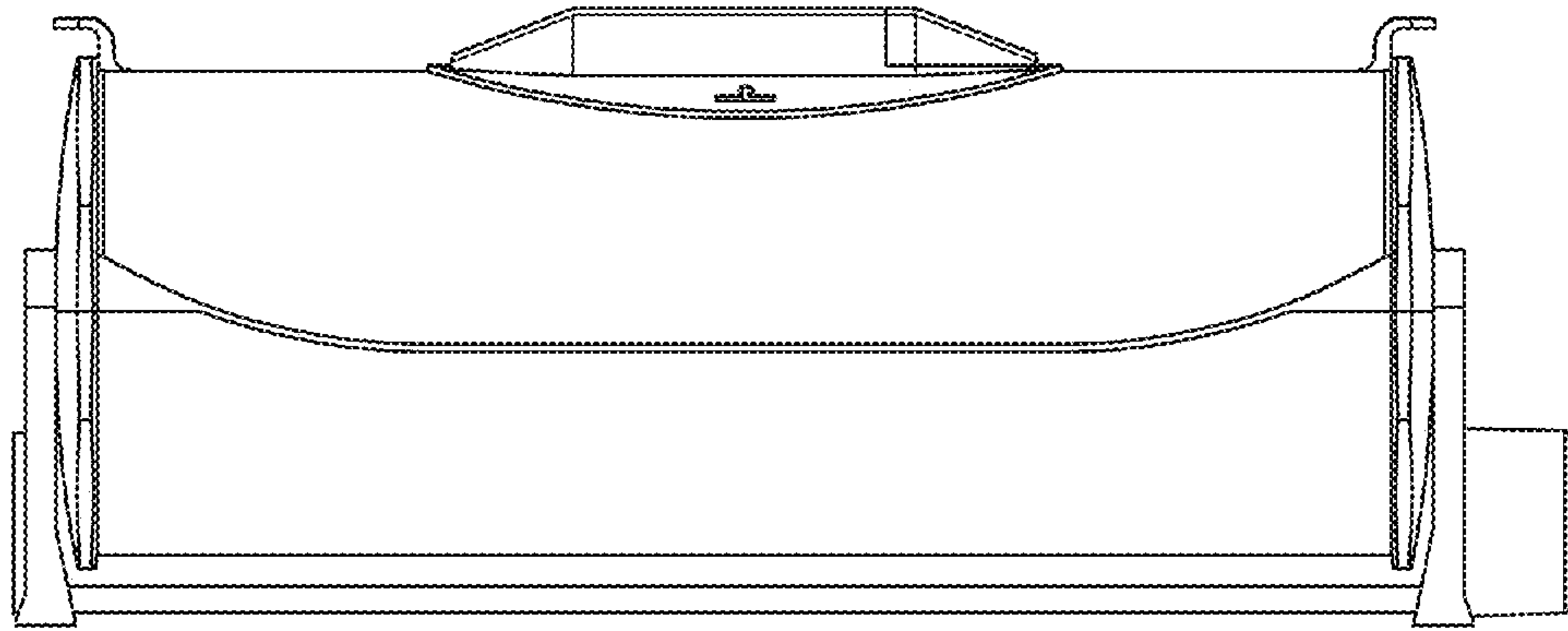


FIG. 2

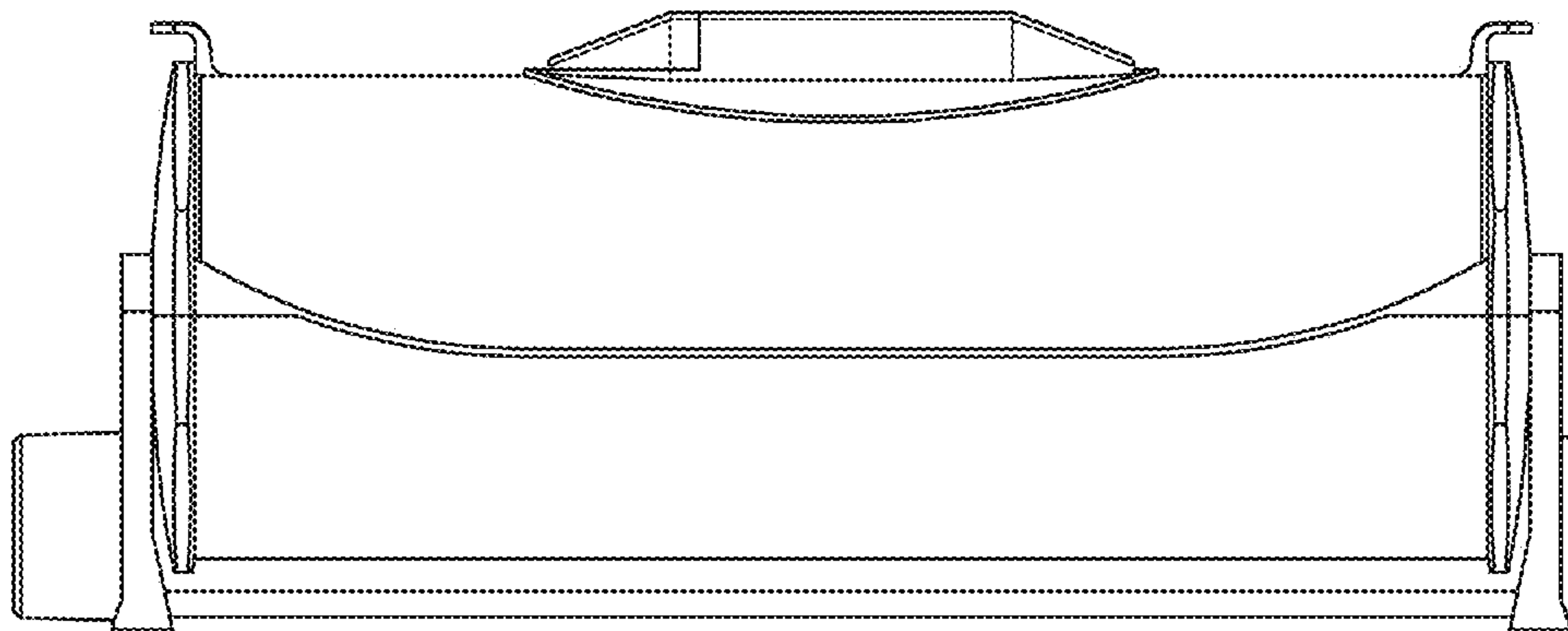


FIG. 3

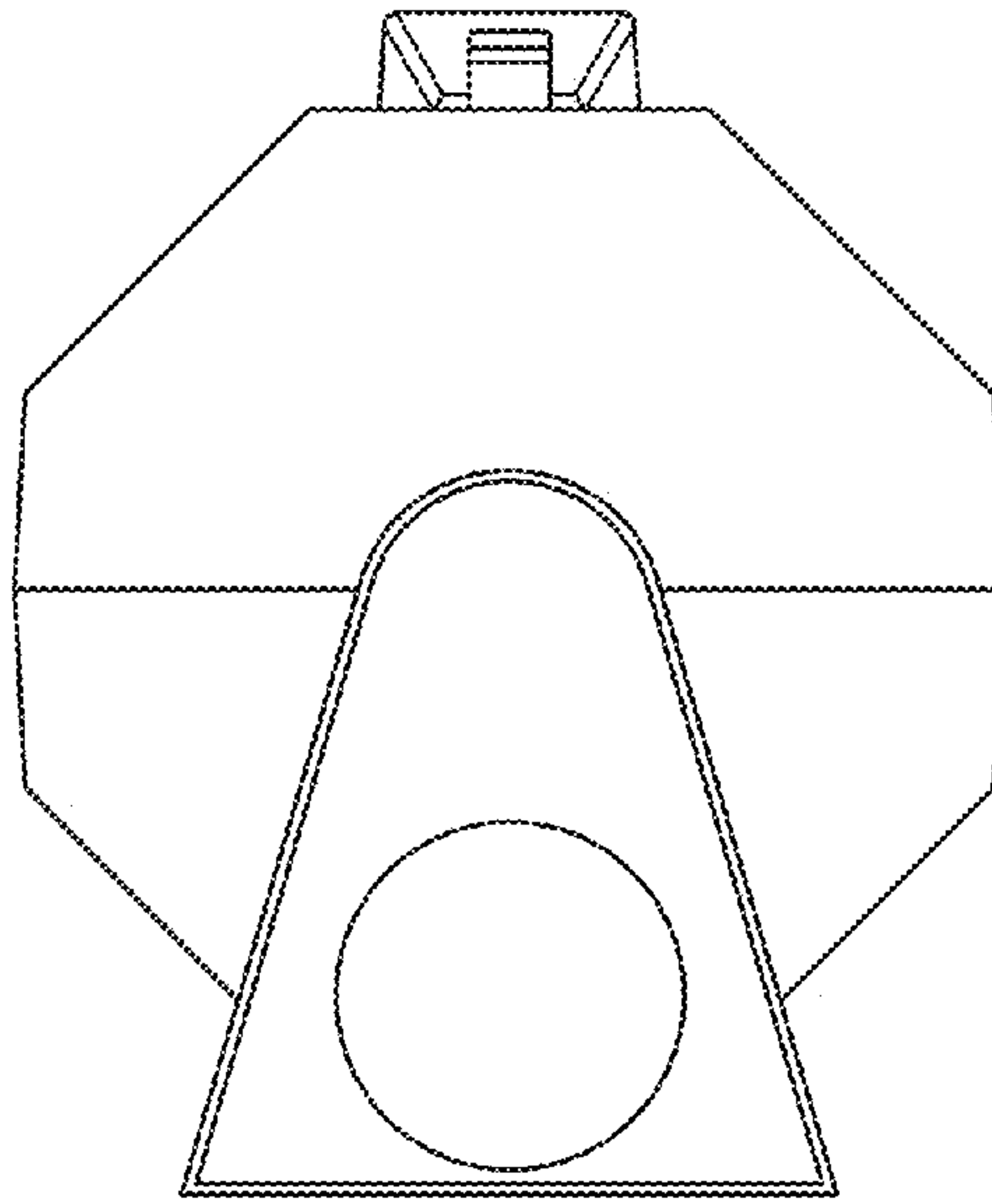


FIG. 4

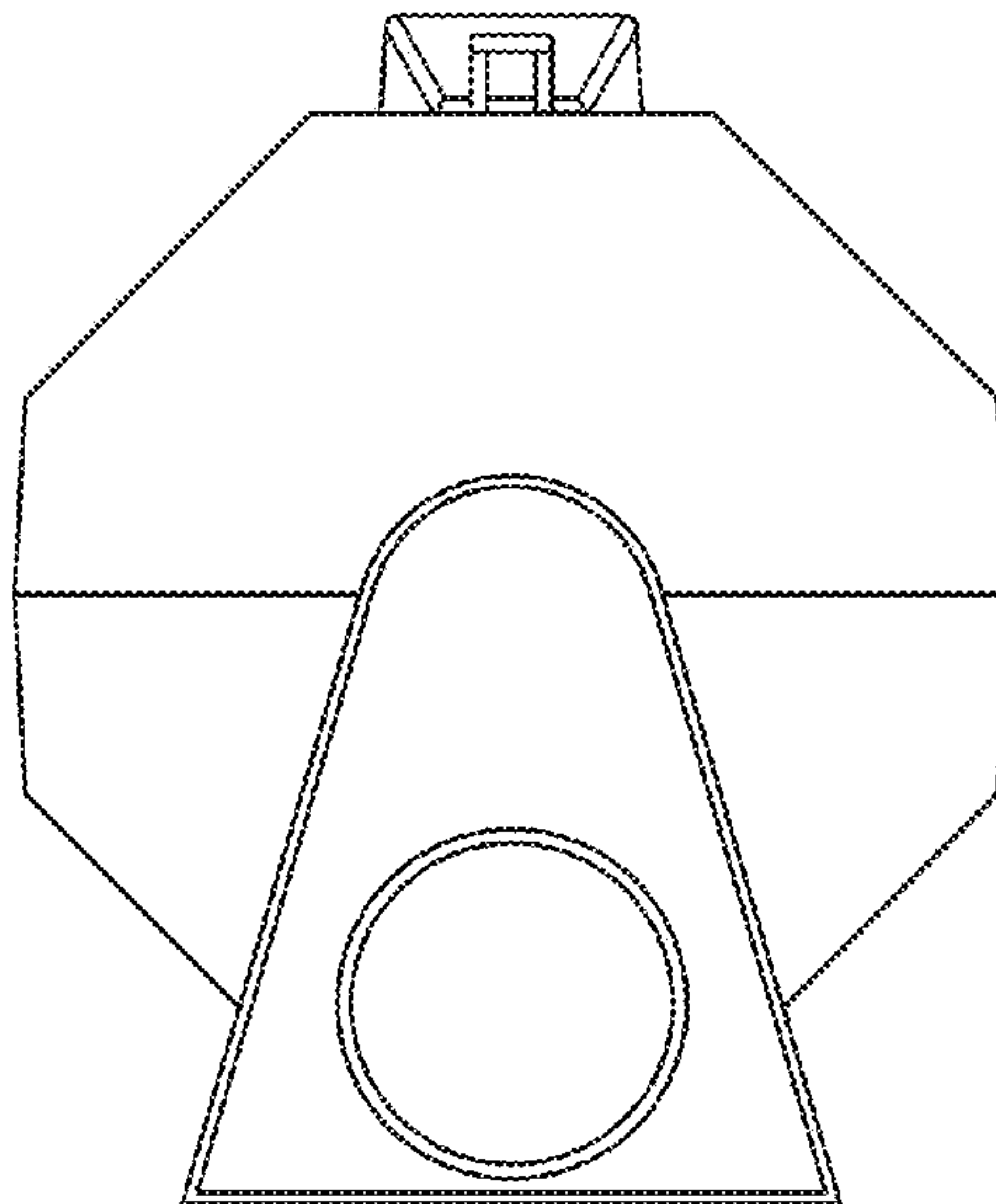


FIG. 5

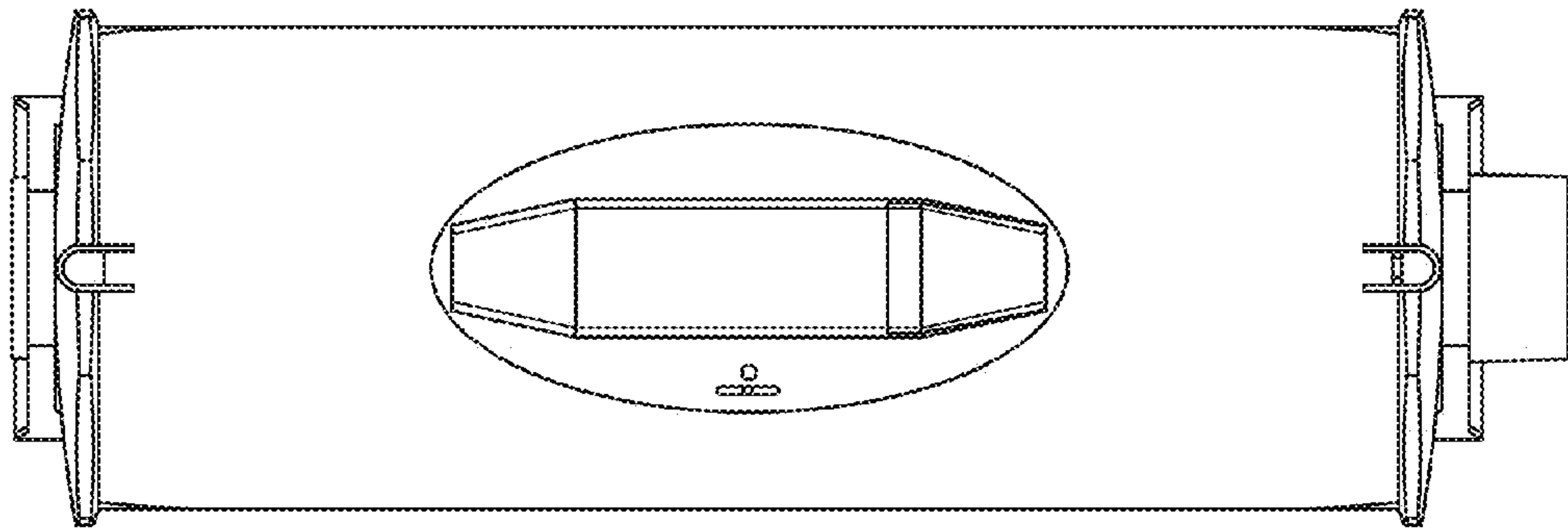


FIG. 6

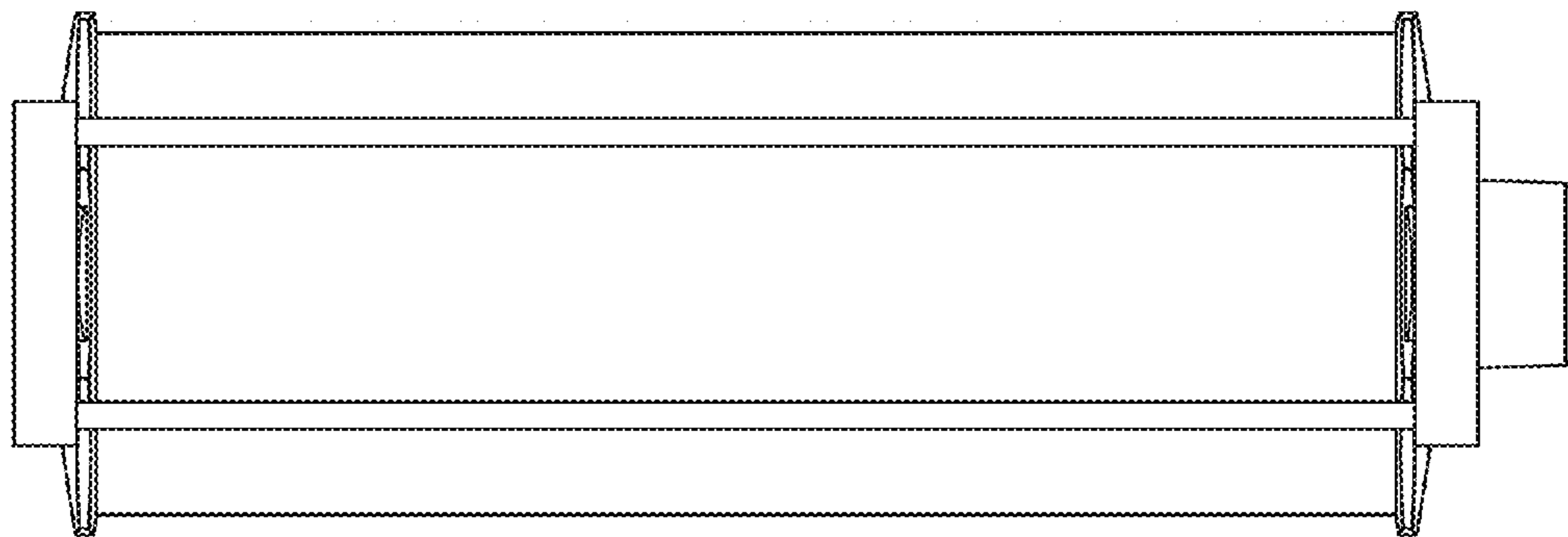


FIG. 7