



US00D710499S

(12) **United States Design Patent**  
**Kawamura**

(10) **Patent No.:** **US D710,499 S**

(45) **Date of Patent:** **\*\* Aug. 5, 2014**

(54) **SYRINGE BARREL**

(71) Applicant: **Daikyo Seiko, Ltd.**, Tokyo (JP)

(72) Inventor: **Hideaki Kawamura**, Tokyo (JP)

(73) Assignee: **Daikyo Seiko, Ltd.**, Sumida-ku, Tokyo (JP)

(\*\*) Term: **14 Years**

(21) Appl. No.: **29/458,375**

(22) Filed: **Jun. 19, 2013**

(30) **Foreign Application Priority Data**

Dec. 19, 2012 (JP) ..... 2012-030896

(51) **LOC (10) Cl.** ..... **24-02**

(52) **U.S. Cl.**  
USPC ..... **D24/130**

(58) **Field of Classification Search**

CPC ..... A61M 5/178; A61M 5/31; A61M 5/3129;  
A61M 5/3148; A61M 5/315

USPC ..... D24/112-114, 129, 130, 127, 133, 186,  
D24/108; 606/181, 185; 604/264, 500, 506,  
604/272, 115, 164.01-164.09, 533, 232,  
604/187, 168.01, 192, 19, 48, 93.01, 523,  
604/524, 526; 600/101, 139, 143;  
128/200.24, 207.14, 207.15

See application file for complete search history.

(56) **References Cited**

**U.S. PATENT DOCUMENTS**

5,300,041 A \* 4/1994 Haber et al. .... 604/232  
5,456,940 A \* 10/1995 Funderburk ..... 604/265  
5,690,618 A \* 11/1997 Smith et al. .... 604/232  
D461,243 S \* 8/2002 Niedospial, Jr. .... D24/130  
6,569,122 B2 \* 5/2003 Fischer et al. .... 604/218  
D543,278 S \* 5/2007 Numata et al. .... D24/130

D579,542 S \* 10/2008 Ranalletta et al. .... D24/108  
D598,093 S \* 8/2009 Kawamura ..... D24/130  
8,057,428 B2 \* 11/2011 Ricci ..... 604/164.05  
8,066,680 B2 \* 11/2011 Alchas et al. .... 604/198  
D668,760 S \* 10/2012 Kawamura ..... D24/130  
2011/0160664 A1 \* 6/2011 Deppisch et al. .... 604/125  
2013/0133709 A1 \* 5/2013 Davis ..... 134/166 C

**FOREIGN PATENT DOCUMENTS**

JP 1438088 S 4/2012  
JP 1459399 S 1/2013

\* cited by examiner

*Primary Examiner* — David Muller

(74) *Attorney, Agent, or Firm* — Taft Stettinius & Hollister LLP

(57) **CLAIM**

The ornamental design for a syringe barrel, as shown and described.

**DESCRIPTION**

FIG. 1 is a front elevational view of a syringe barrel showing my new design, the rear elevational view being identical thereto;

FIG. 2 is a top plan view thereof;

FIG. 3 is a bottom plan view thereof;

FIG. 4 is a right side elevational view thereof;

FIG. 5 is a left side elevational view thereof;

FIG. 6 is a sectional view thereof taken along line 6-6 of FIG. 4;

FIG. 7 is a perspective view thereof;

FIG. 8 is a perspective view thereof;

FIG. 9 is a perspective view thereof in a state of use; and,

FIG. 10 is a perspective view thereof in another state of use.

The broken lines are for the purpose of illustrating environmental structure only and form no part of the claimed design.

**1 Claim, 10 Drawing Sheets**

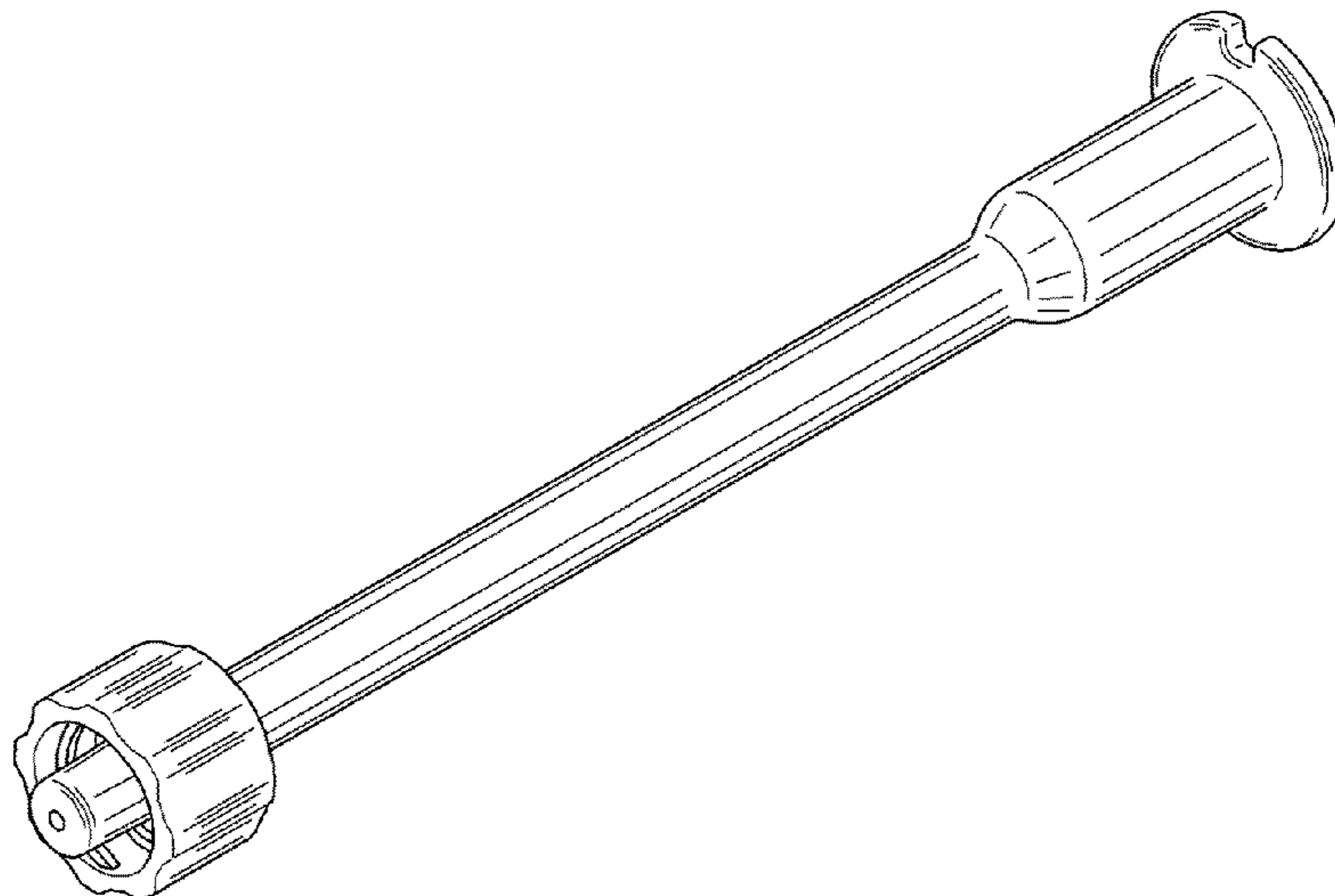


FIG. 1

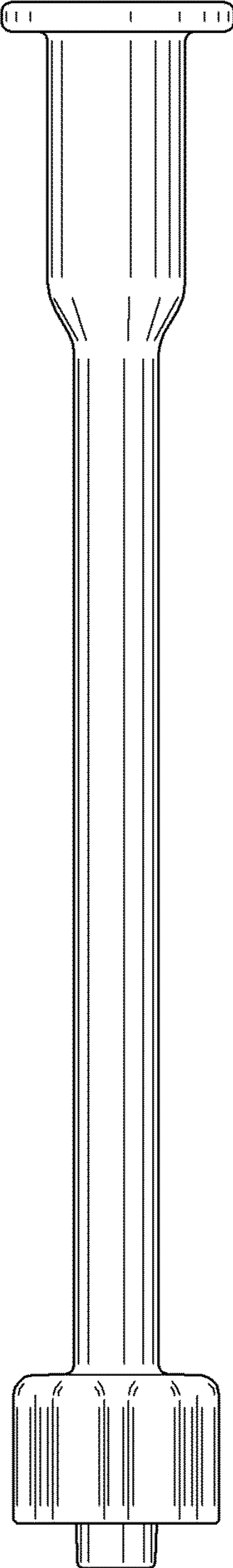


FIG. 2

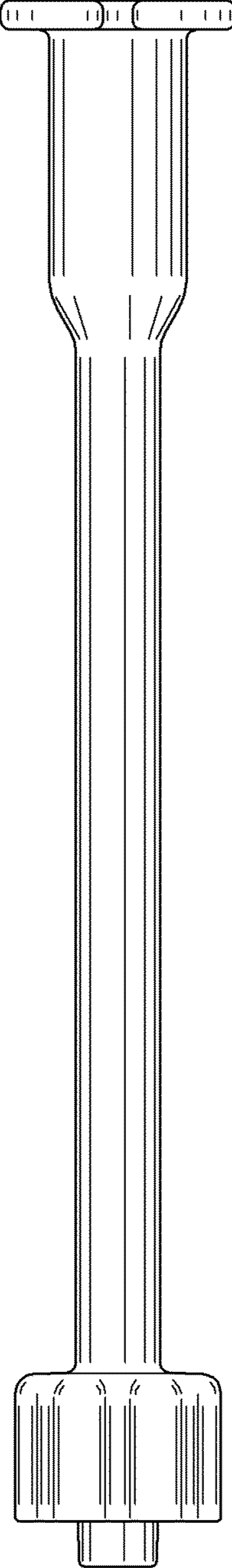


FIG. 3

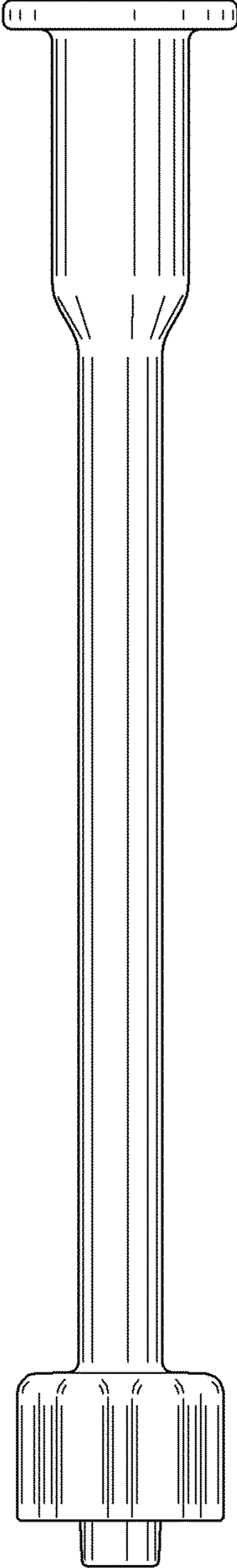
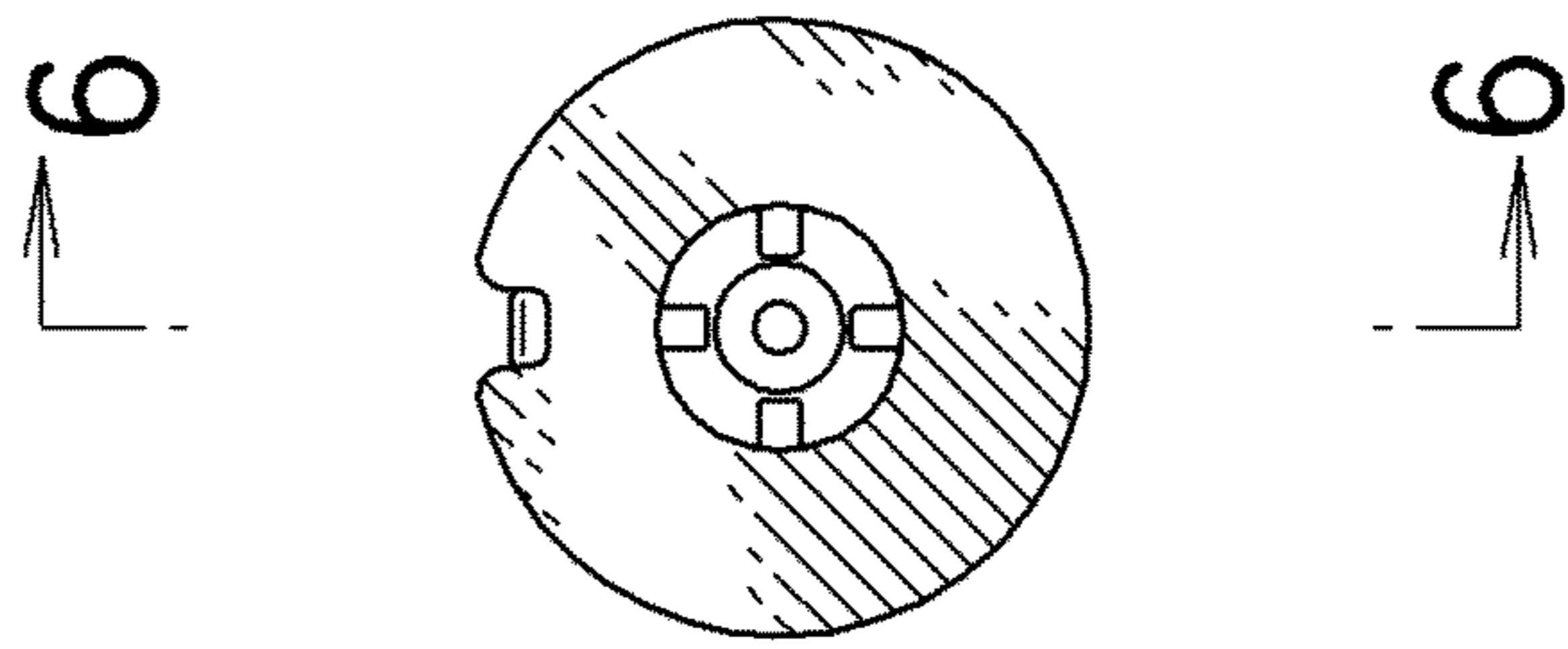


FIG. 4



**FIG. 5**

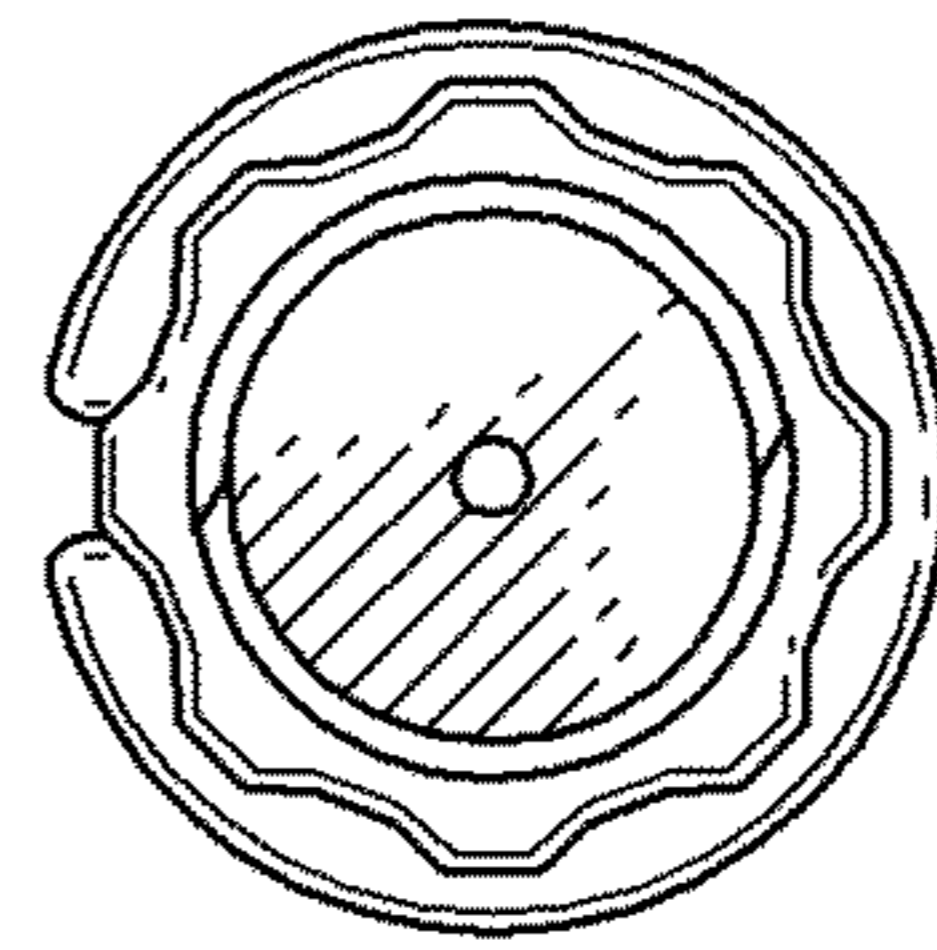


FIG. 6

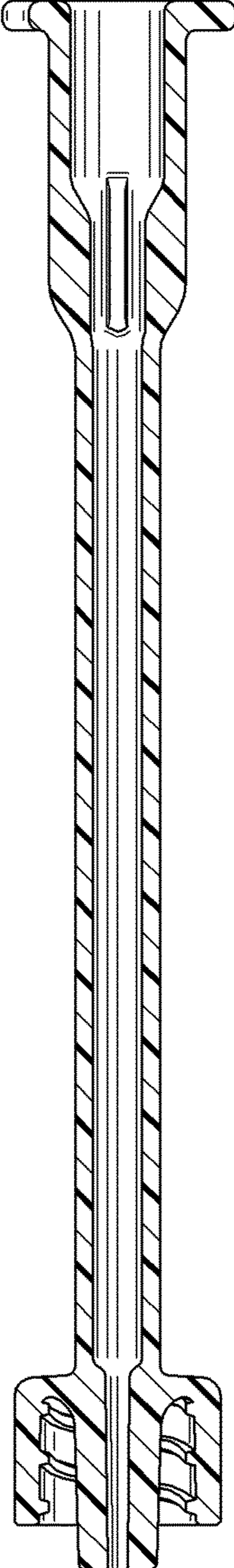
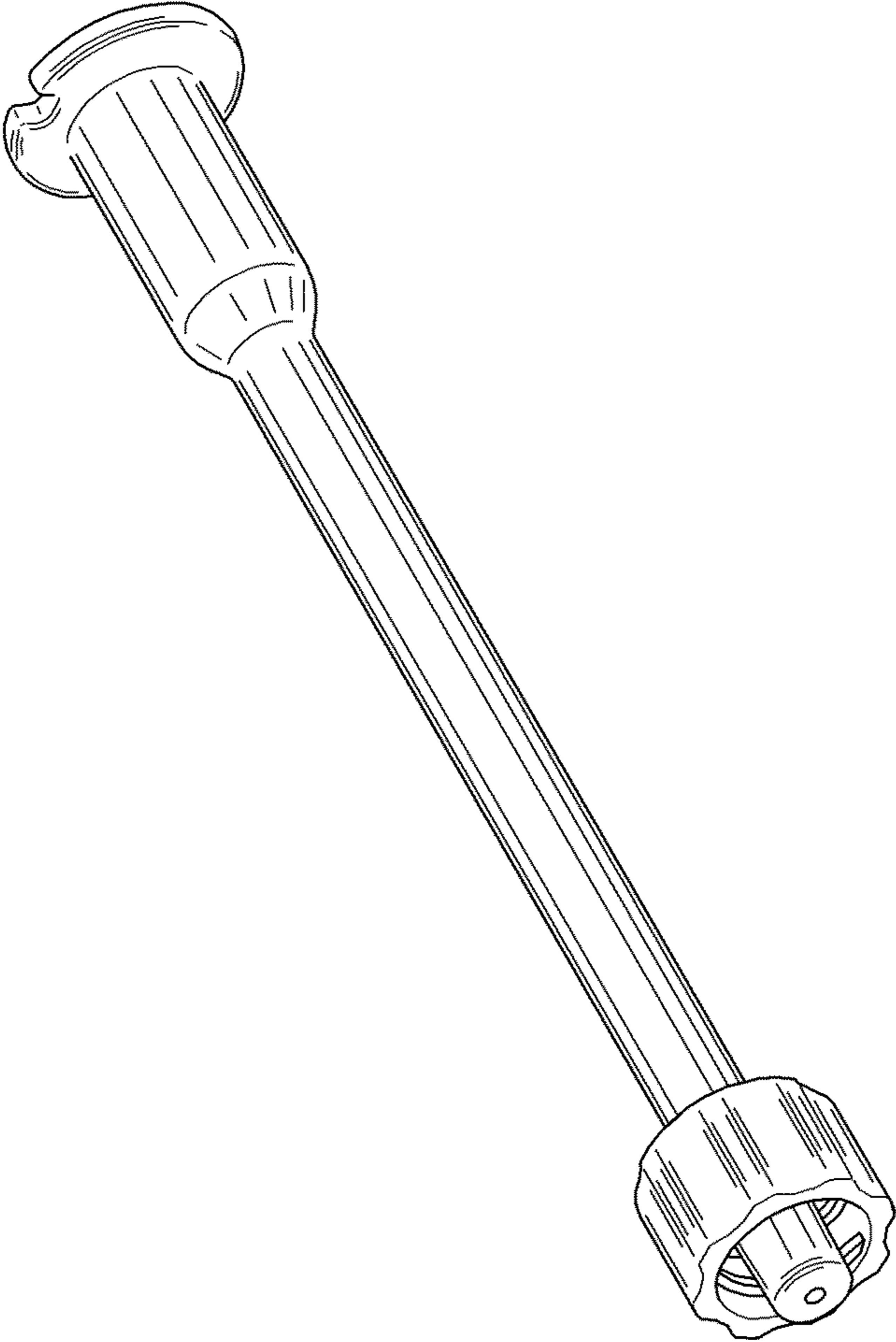
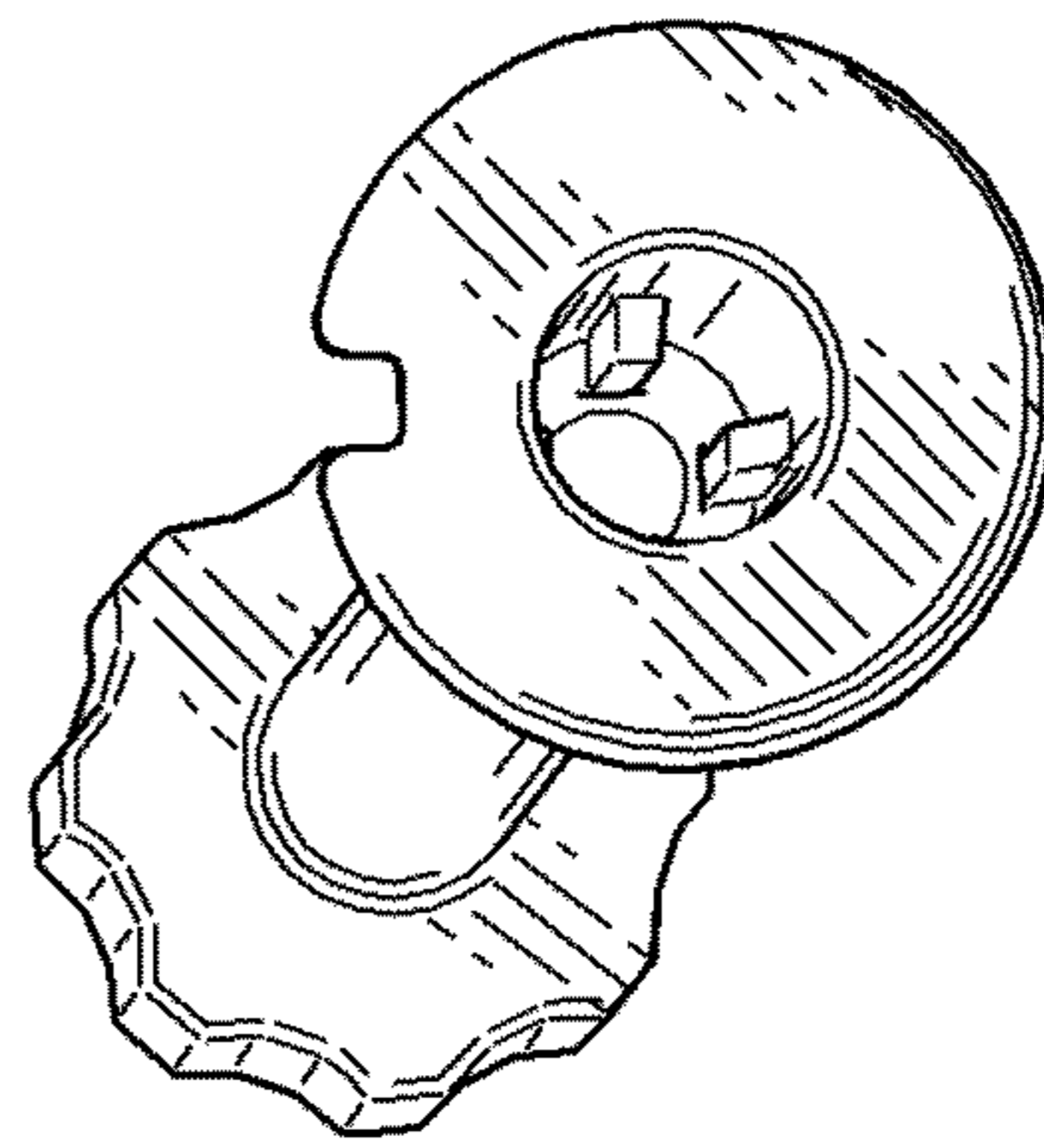


FIG. 7





**FIG. 8**



**FIG. 9**

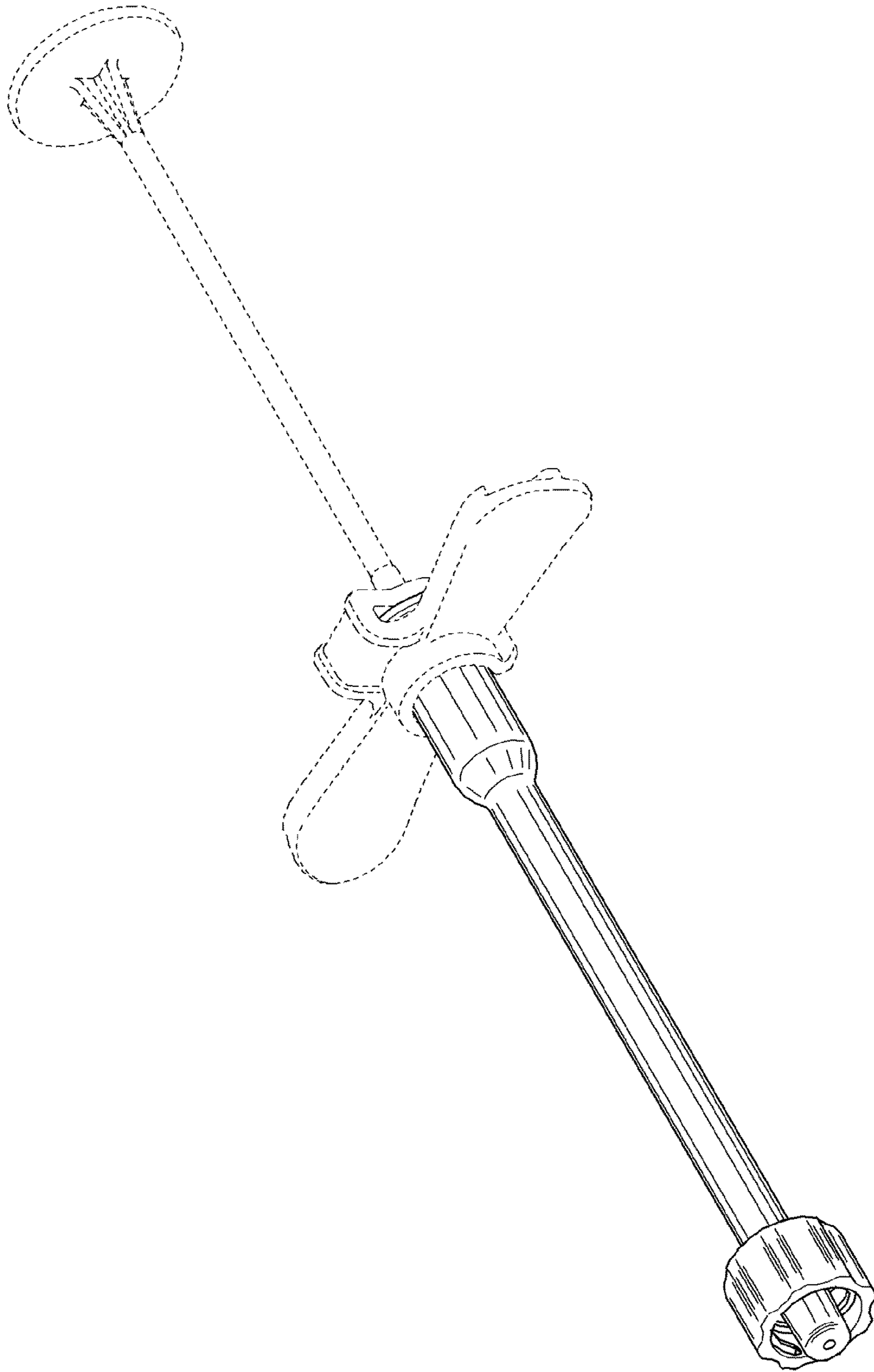


FIG. 10

