



US00D710498S

(12) **United States Design Patent**
Koshidaka

(10) **Patent No.:** **US D710,498 S**

(45) **Date of Patent:** **** Aug. 5, 2014**

(54) **CAP OF CONTAINER FOR MIXING MEDICATIONS**

(71) Applicant: **Daikyo Seiko, Ltd.**, Tokyo (JP)

(72) Inventor: **Tsuyoshi Koshidaka**, Tokyo (JP)

(73) Assignee: **Daikyo Seiko, Ltd.**, Sumida-ku, Tokyo (JP)

(**) Term: **14 Years**

(21) Appl. No.: **29/450,644**

(22) Filed: **Mar. 20, 2013**

(30) **Foreign Application Priority Data**

Sep. 24, 2012 (JP) 2012-023030

(51) **LOC (10) Cl.** **24-02**

(52) **U.S. Cl.**
USPC **D24/130**

(58) **Field of Classification Search**

USPC D24/112-114, 129, 130, 127, 133, 186,
D24/108; 606/181, 185; 604/264, 500, 506,
604/272, 115, 164.01-164.09, 533, 232,
604/187, 168.01, 192, 19, 48, 93.01, 523,
604/524, 526; 600/101, 139, 143;
128/200.24, 207.14, 207.15

See application file for complete search history.

(56) **References Cited**

U.S. PATENT DOCUMENTS

D248,873 S * 8/1978 Raitto D24/130
D431,864 S * 10/2000 Jansen D24/129
D496,101 S * 9/2004 Davison D24/130
6,792,743 B2 * 9/2004 Odell et al. 53/452
D568,469 S * 5/2008 Sudo D24/130
D581,049 S * 11/2008 Sudo D24/130
D589,612 S * 3/2009 Sudo D24/130
D612,939 S * 3/2010 Boone et al. D24/133

D616,090 S * 5/2010 Kawamura D24/127
D629,895 S * 12/2010 Demleitner et al. D24/133
D632,389 S * 2/2011 Maeda et al. D24/130
D669,579 S * 10/2012 Marshall et al. D24/130
D688,796 S * 8/2013 Niunoya et al. D24/127

FOREIGN PATENT DOCUMENTS

JP 1058011 S 1/2000

OTHER PUBLICATIONS

Japan Patent Office, Office Action in Japanese Patent Application No. 2012-023030, Dec. 7, 2012.

* cited by examiner

Primary Examiner — David Muller

(74) *Attorney, Agent, or Firm* — Taft Stettinius & Hollister LLP

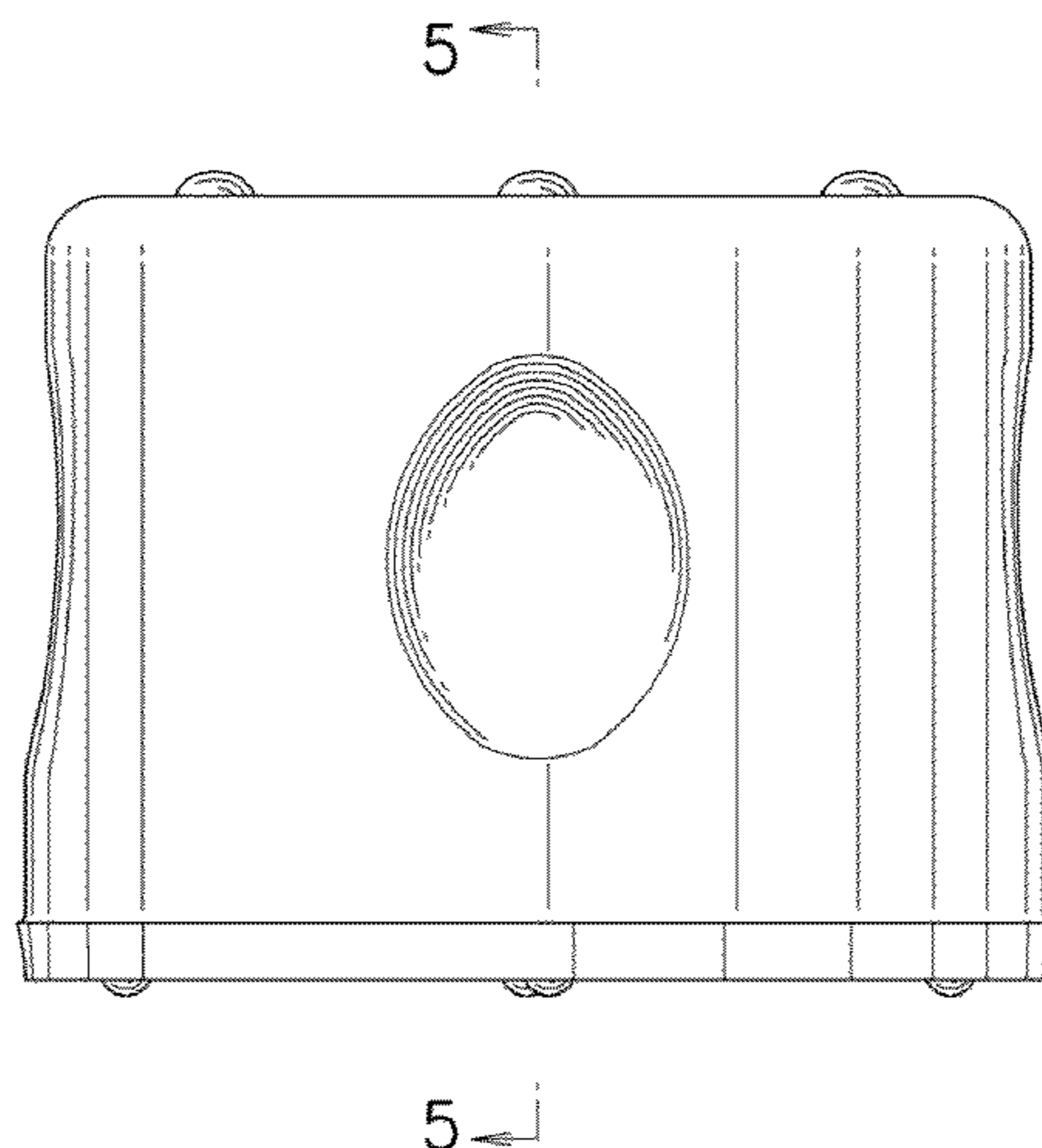
(57) **CLAIM**

The ornamental design for a cap of container for mixing medications, as shown and described.

DESCRIPTION

FIG. 1 is a front elevational view of a cap of container for mixing medications showing my new design, the rear elevational view being identical thereto;
FIG. 2 is a top plan view thereof;
FIG. 3 is a bottom plan view thereof;
FIG. 4 is a right side elevational view thereof, the left side elevational view thereof being identical thereto;
FIG. 5 is a sectional view thereof taken along line 5-5 of FIG. 1;
FIG. 6 is a bottom perspective view thereof;
FIG. 7 is an environmental perspective view thereof; and,
FIG. 8 is an environmental front elevational view thereof.
The broken lines are for the purpose of illustrating environmental structure only and form no part of the claimed design.

1 Claim, 8 Drawing Sheets



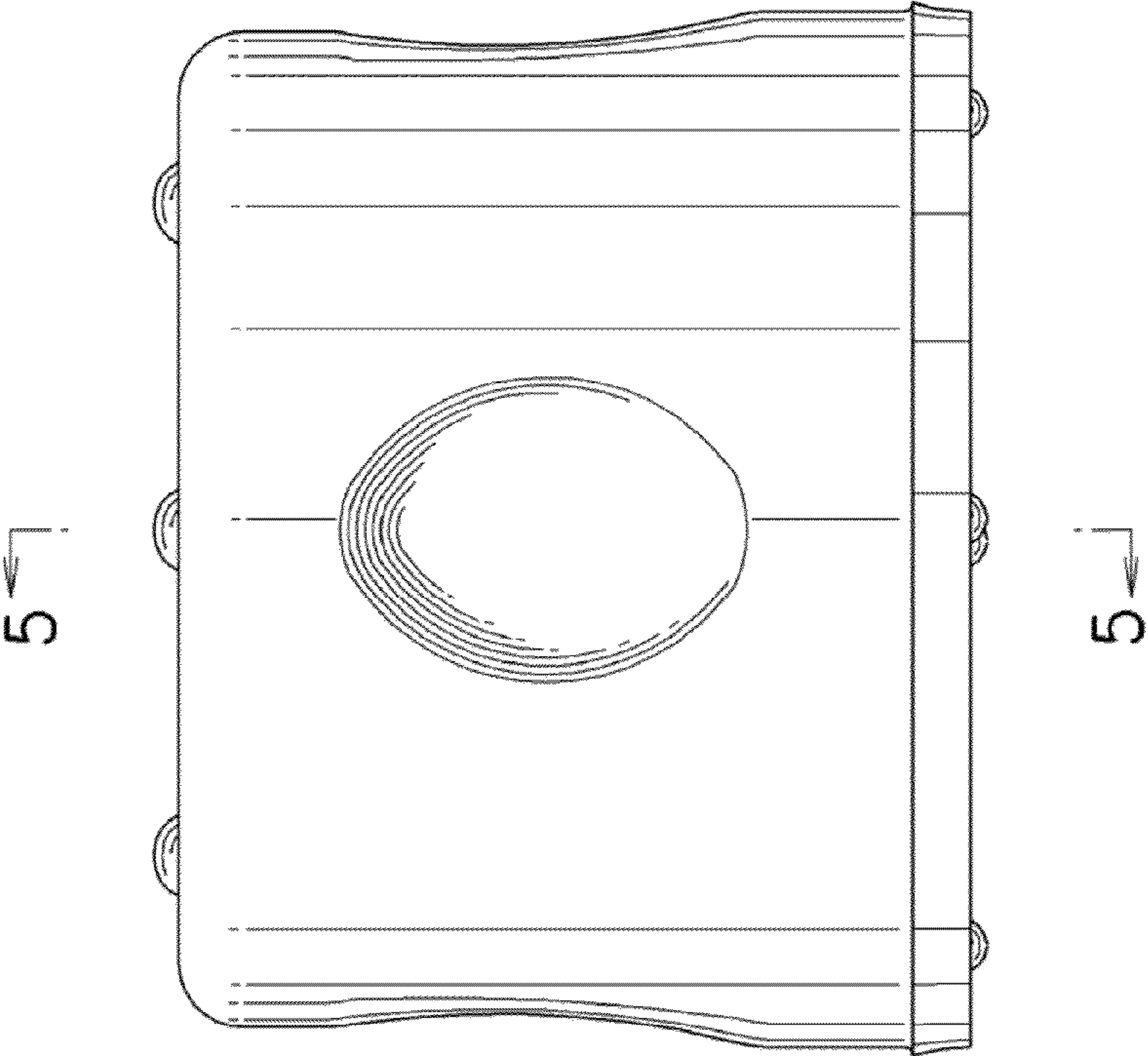


FIG. 1

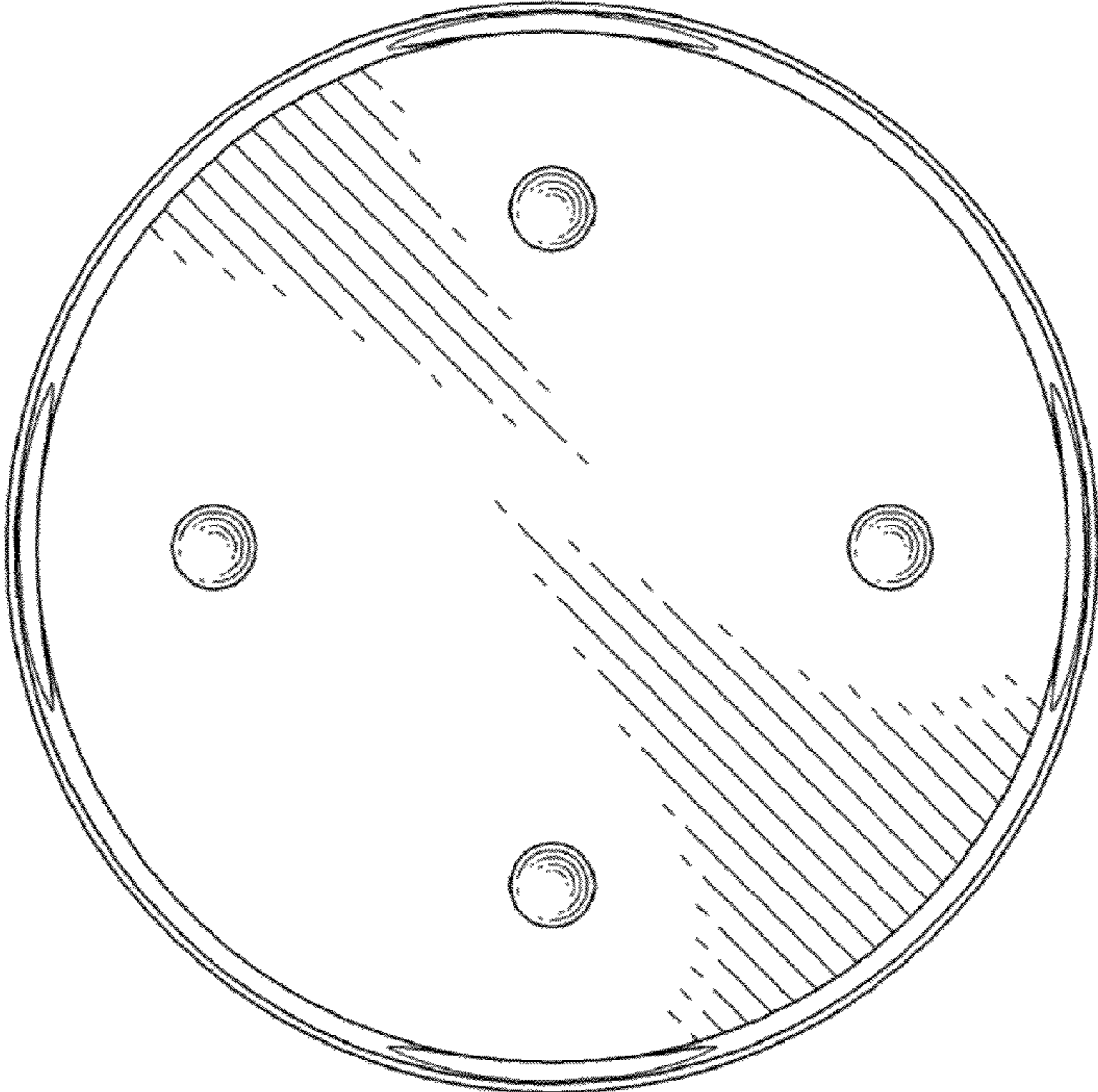


FIG. 2

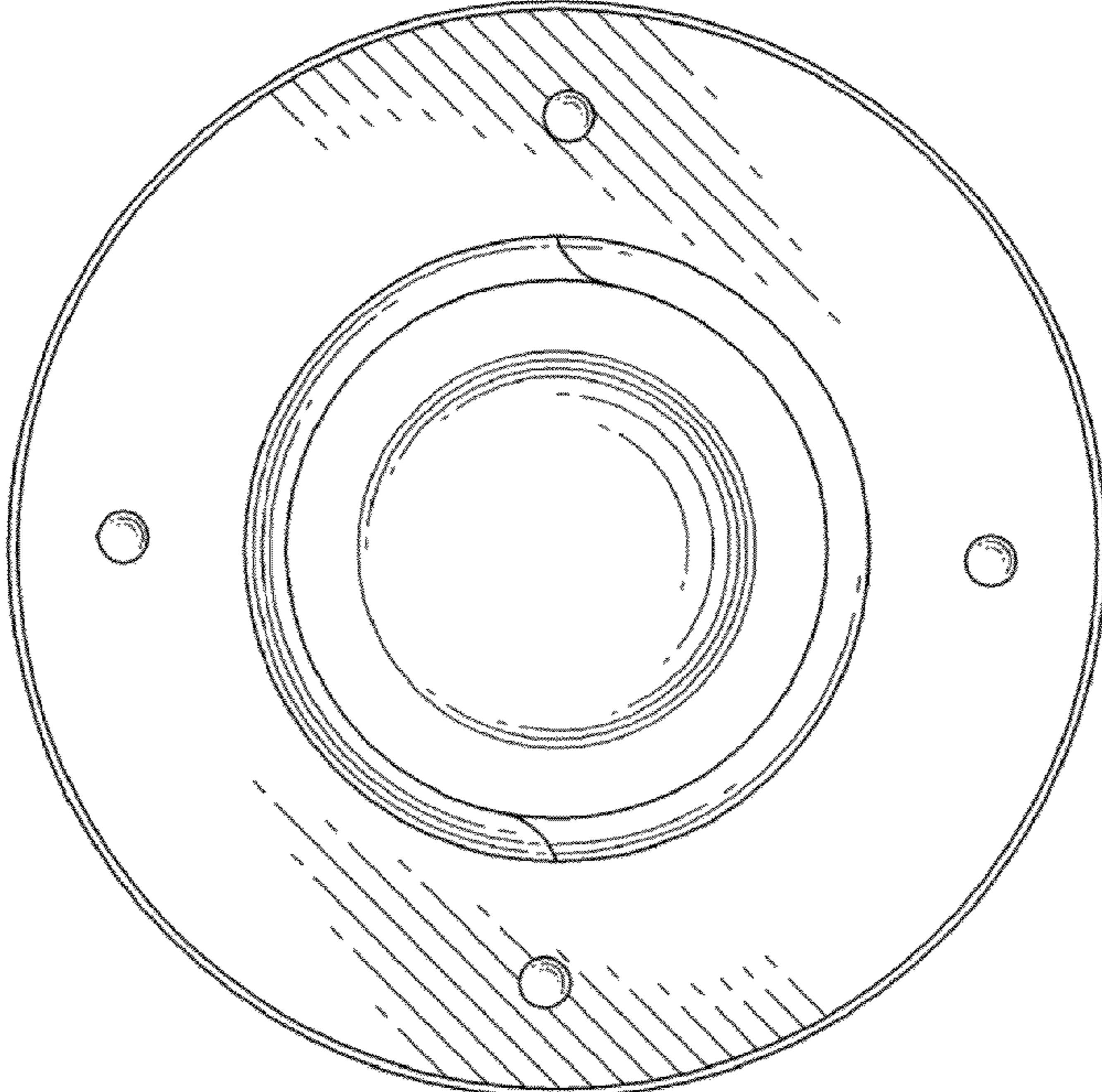


FIG. 3

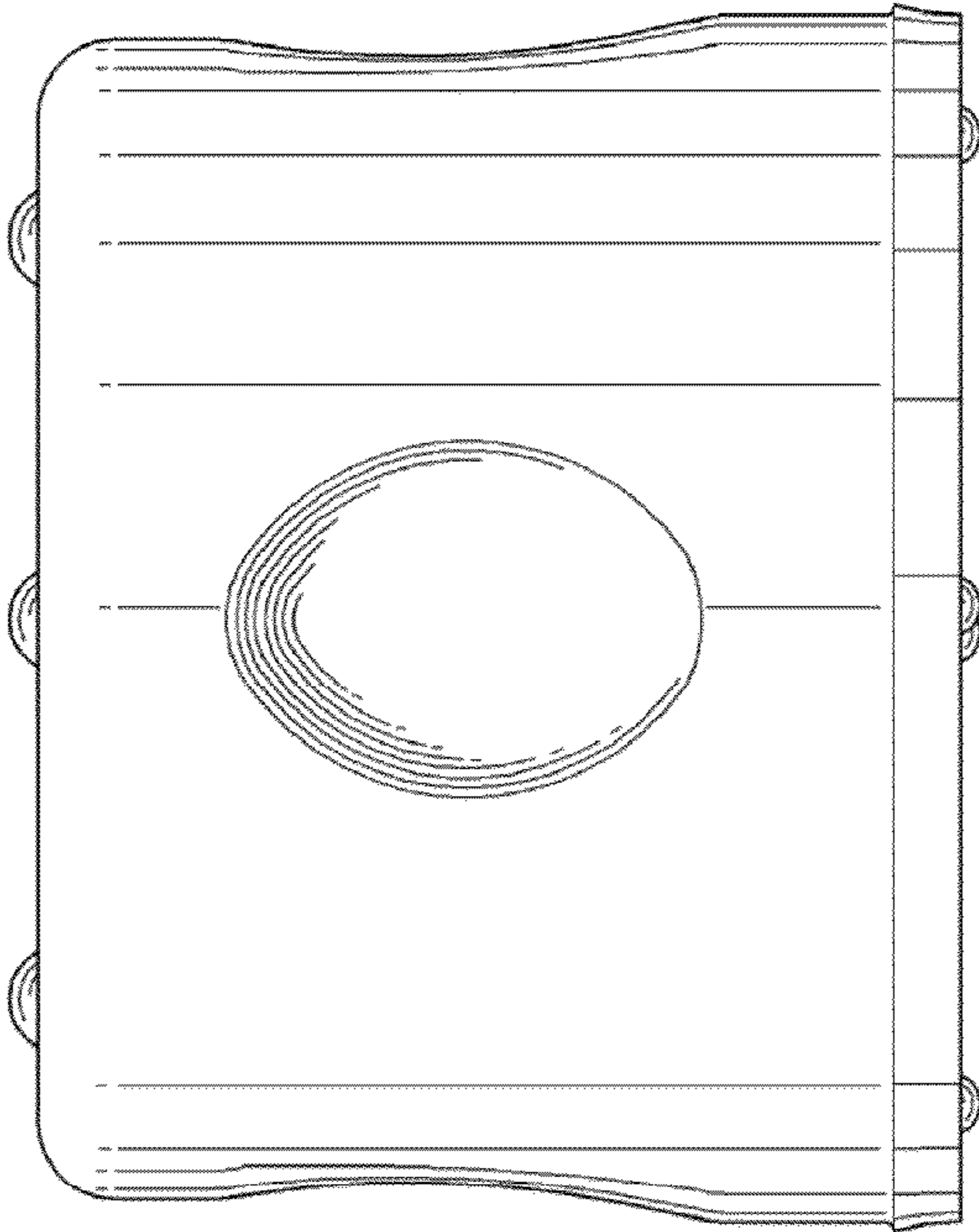


FIG. 4

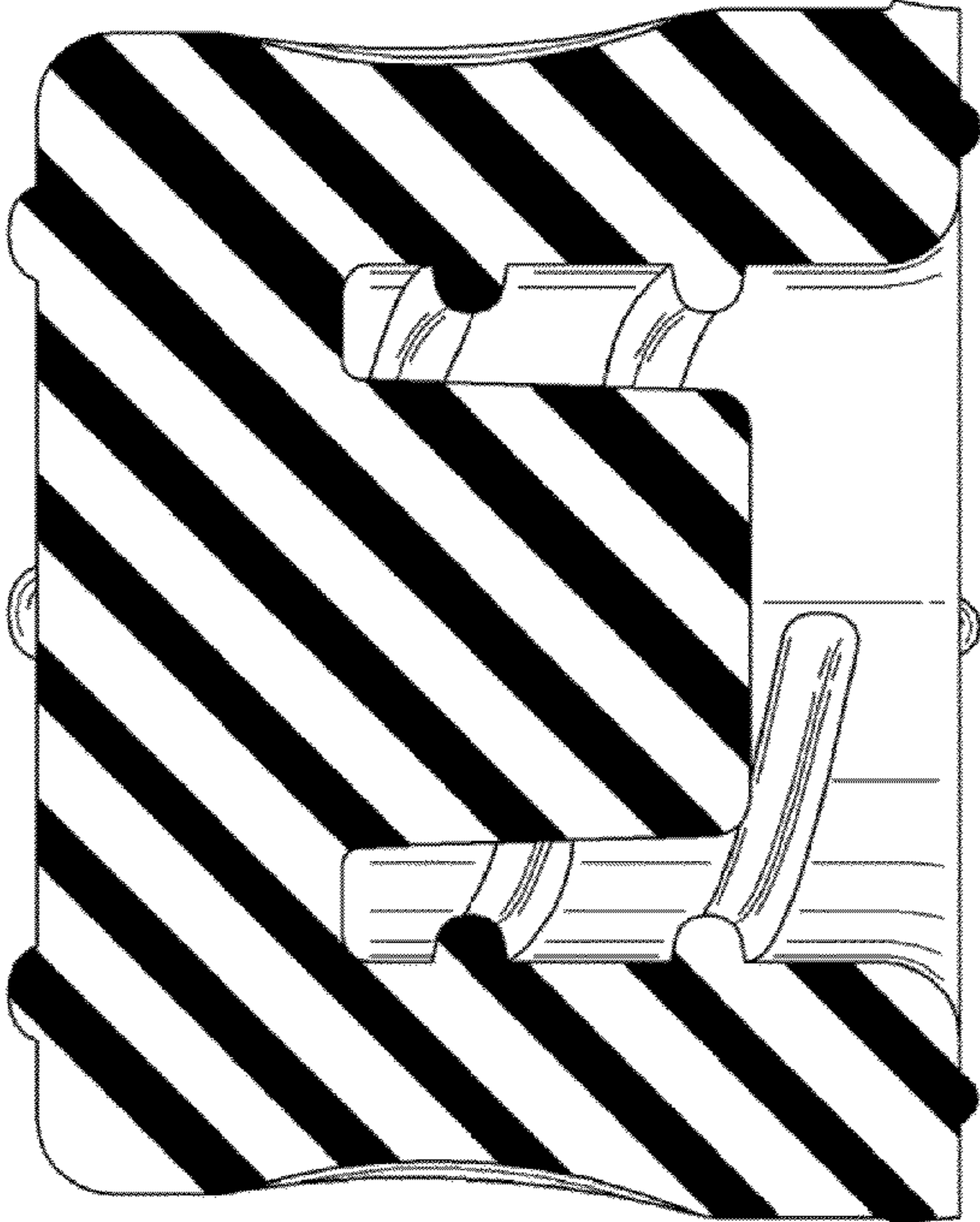


FIG. 5

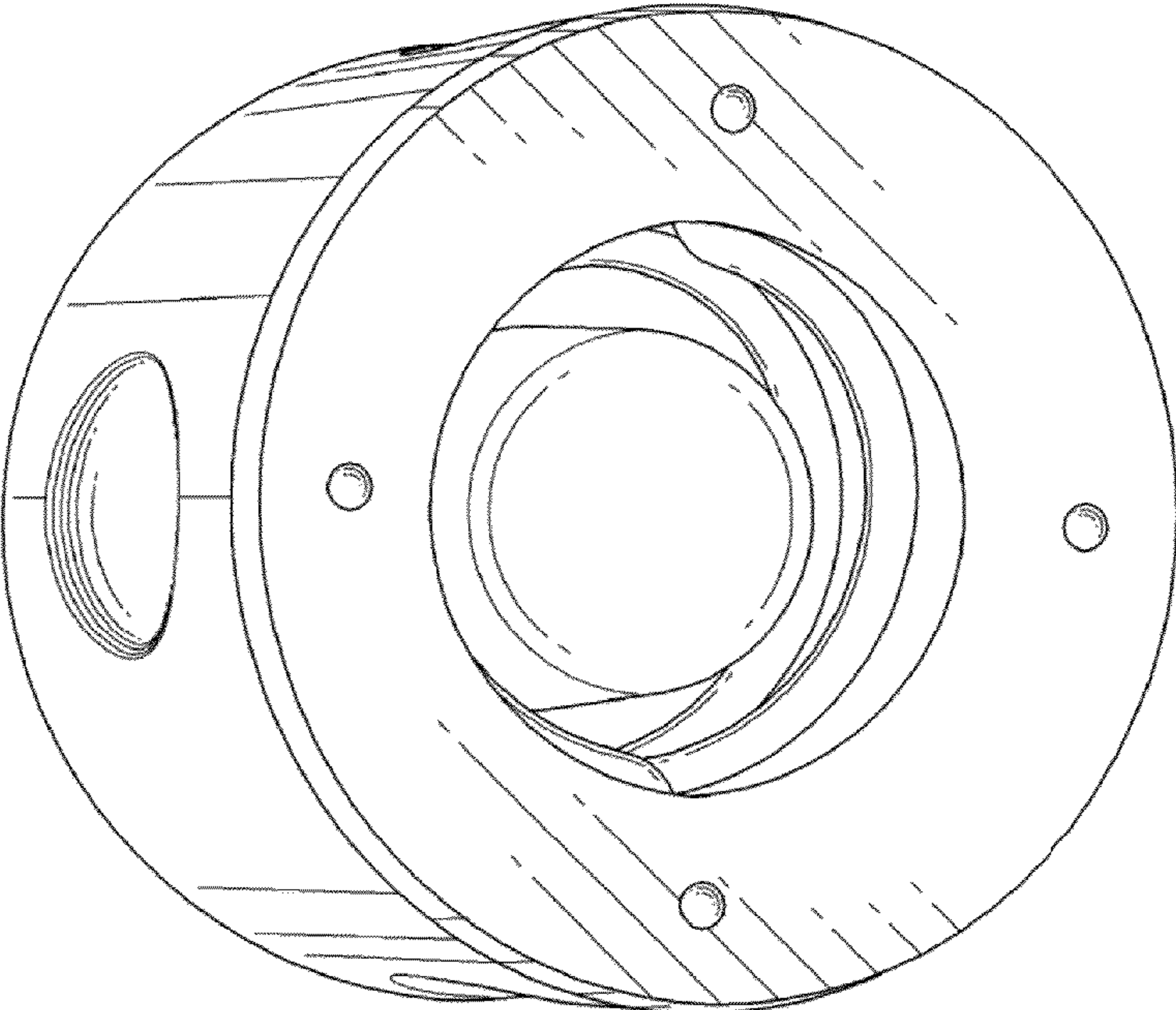


FIG. 6

FIG. 7

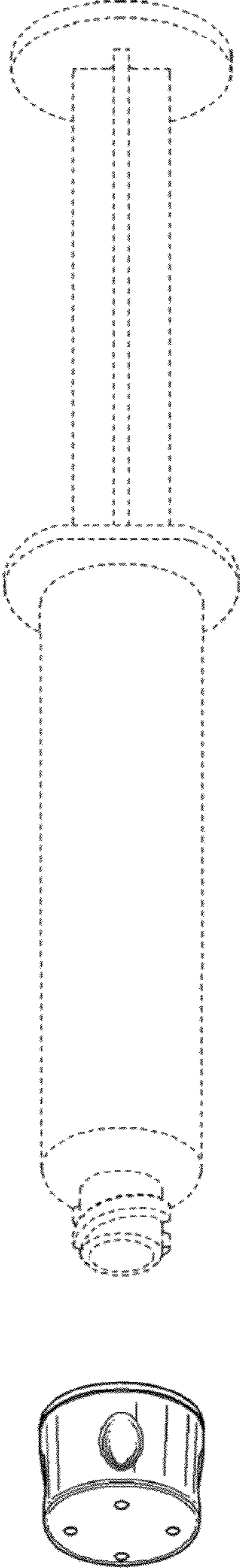


FIG. 8

