



US00D710497S

(12) **United States Design Patent**
Pham et al.

(10) **Patent No.:** **US D710,497 S**

(45) **Date of Patent:** **** Aug. 5, 2014**

(54) **SNARE INTRODUCER**

(75) Inventors: **Vinny K. Pham**, Salt Lake City, UT (US); **Paul Byrne**, Tuam (IE); **Mark Flygare**, Farmington, UT (US)

(73) Assignee: **Merit Medical Systems, Inc.**, South Jordan, UT (US)

(**) Term: **14 Years**

(21) Appl. No.: **29/413,090**

(22) Filed: **Feb. 10, 2012**

(51) **LOC (10) Cl.** **24-02**

(52) **U.S. Cl.**
USPC **D24/130**

(58) **Field of Classification Search**
USPC 606/113, 127, 200; 600/104, 433, 434, 600/585; D24/130, 133, 140, 143, 146, 147
See application file for complete search history.

(56) **References Cited**

U.S. PATENT DOCUMENTS

5,273,042	A	12/1993	Lynch	
5,282,479	A	2/1994	Havran	
5,373,840	A *	12/1994	Knighton	600/106
RE36,043	E *	1/1999	Knighton	600/101
6,500,185	B1 *	12/2002	Mathews et al.	606/159
6,607,496	B1 *	8/2003	Poor et al.	600/585
D542,414	S *	5/2007	Atkins	D24/130
D612,048	S *	3/2010	Baynham	D24/146
D612,050	S *	3/2010	Baynham	D24/146
7,708,744	B2	5/2010	Soma et al.	
D630,733	S *	1/2011	Ahlgren	D24/130
8,277,438	B2 *	10/2012	Griffin et al.	604/524
2003/0073955	A1	4/2003	Otawara	
2004/0059371	A1	3/2004	Healy et al.	
2005/0234505	A1	10/2005	Diaz et al.	
2006/0129029	A1 *	6/2006	Menon-Johannsson	600/104

2006/0173468	A1 *	8/2006	Simmon et al.	606/113
2006/0253049	A1 *	11/2006	Egnelov et al.	600/585
2010/0191273	A1 *	7/2010	Keating	606/200
2010/0217208	A1	8/2010	Snow	
2013/0006262	A1 *	1/2013	Lampropoulos et al.	606/113

(Continued)

FOREIGN PATENT DOCUMENTS

WO WO2011/075727 6/2011

OTHER PUBLICATIONS

International Search Report and Written Opinion dated May 15, 2013 for PCT/US2013/024767.

Primary Examiner — Deanna L Pratt

Assistant Examiner — Ieisha Price

(74) *Attorney, Agent, or Firm* — Stoel Rives LLP

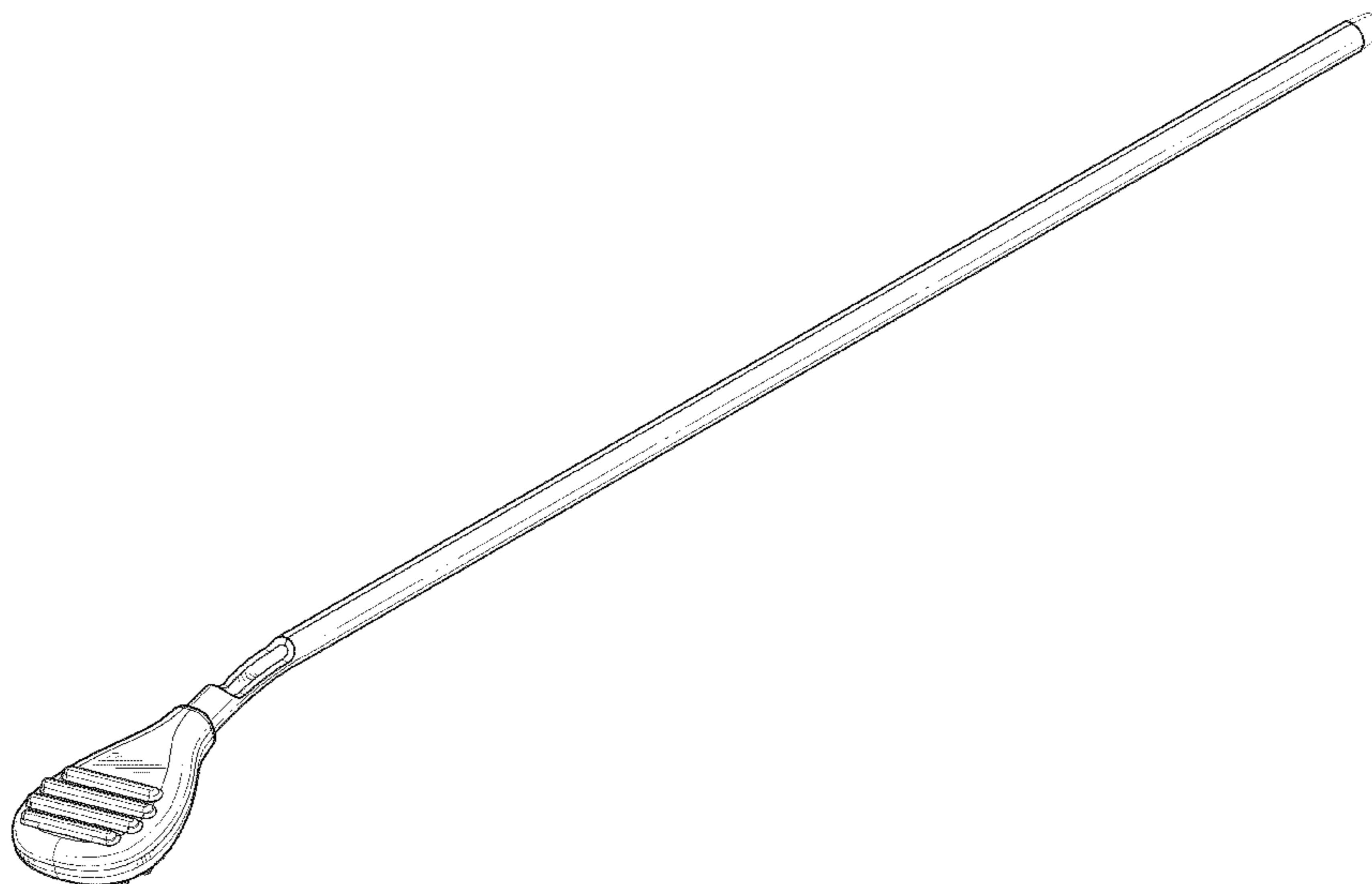
(57) **CLAIM**

The ornamental design for a snare introducer, as shown and described.

DESCRIPTION

FIG. 1 is a perspective view of a snare introducer. FIG. 2 is a top view of the snare introducer of FIG. 1. FIG. 3 is a front view of the snare introducer of FIG. 1. The rear view of the snare introducer of FIG. 1 is a mirror image of the front view of FIG. 3. FIG. 4 is an enlarged left side view of the snare introducer of FIG. 1. FIG. 5 is an enlarged right side view of the snare introducer of FIG. 1. FIG. 6 is bottom view of the snare introducer of FIG. 1; and, FIG. 7 is an enlarged cross sectional view of the snare introducer of FIG. 1, taken through line 7-7 of FIG. 3. The broken lines in the drawings illustrate portions of the snare introducer which form no part of the claimed design.

1 Claim, 3 Drawing Sheets



US D710,497 S

Page 2

(56)

References Cited

2013/0205584 A1* 8/2013 Pham et al. 29/728
2014/0074150 A1* 3/2014 Cano et al. 606/200

U.S. PATENT DOCUMENTS

2013/0006296 A1* 1/2013 McGuckin et al. 606/200 * cited by examiner

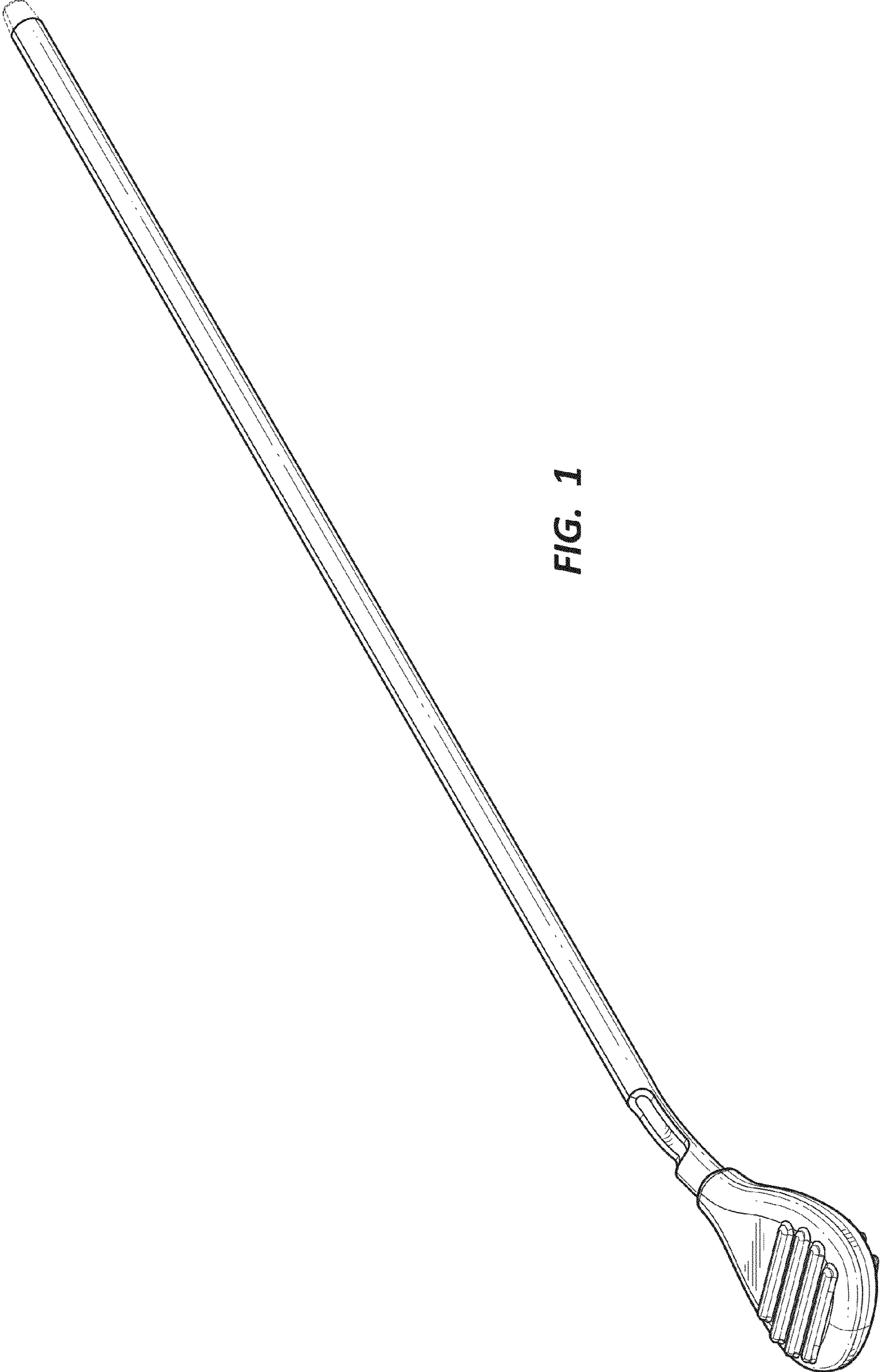


FIG. 1

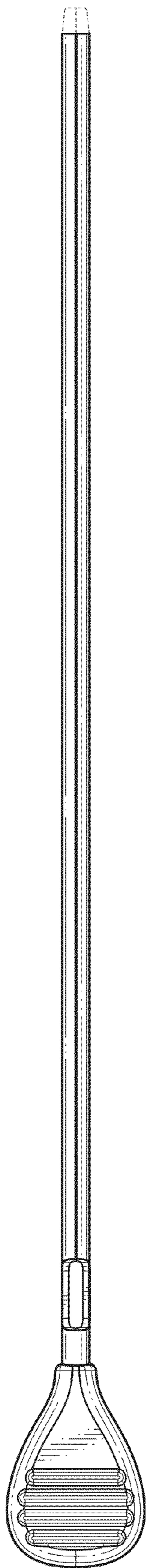


FIG. 2

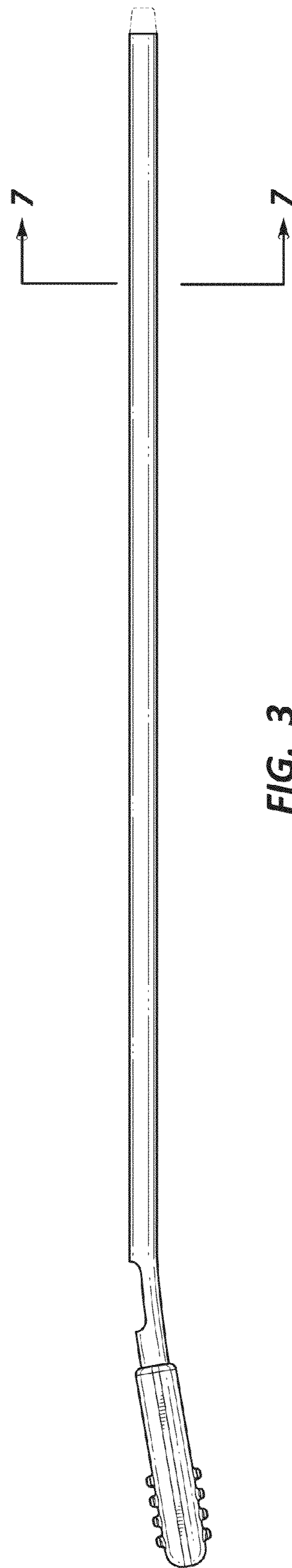


FIG. 3

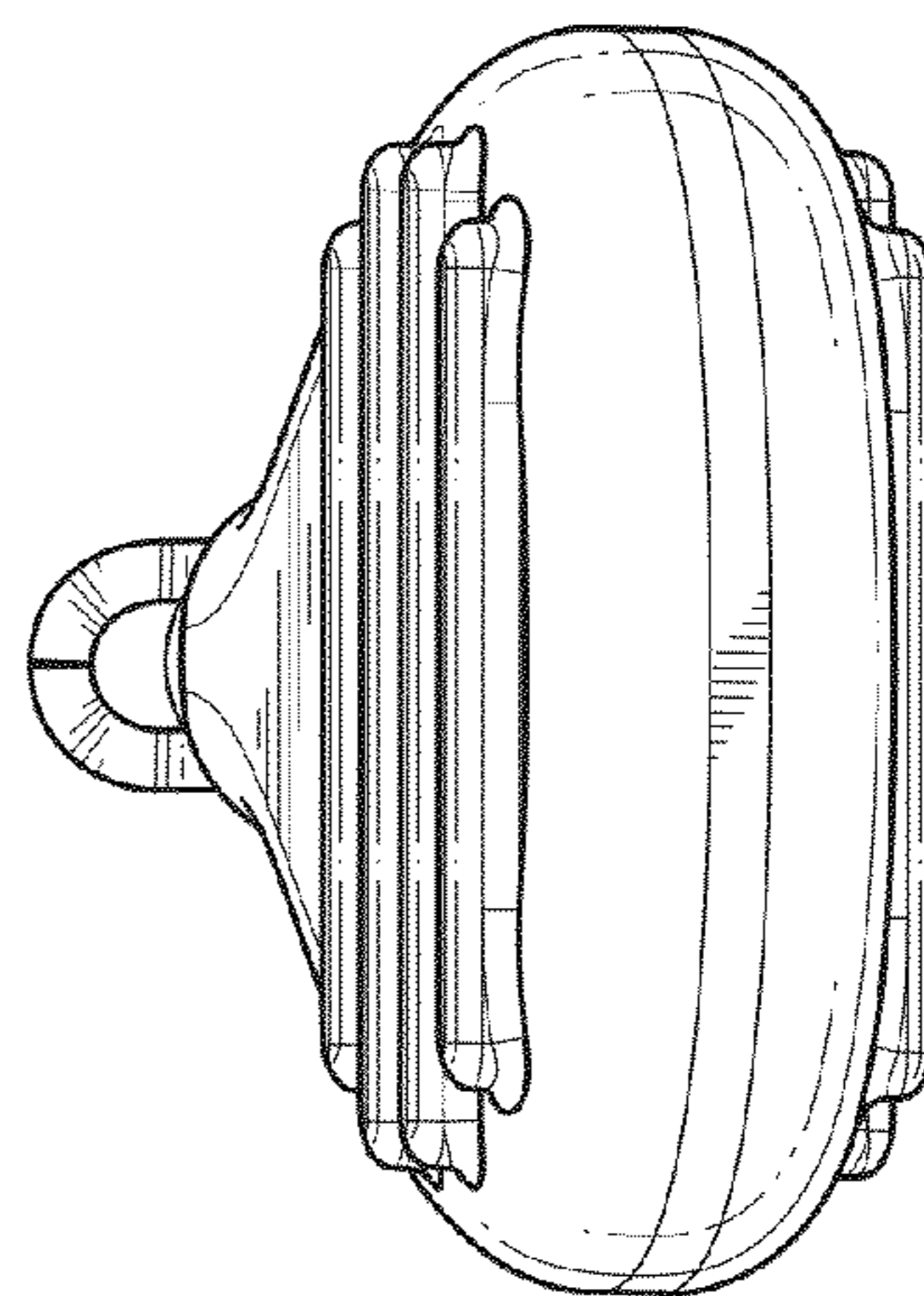


FIG. 4

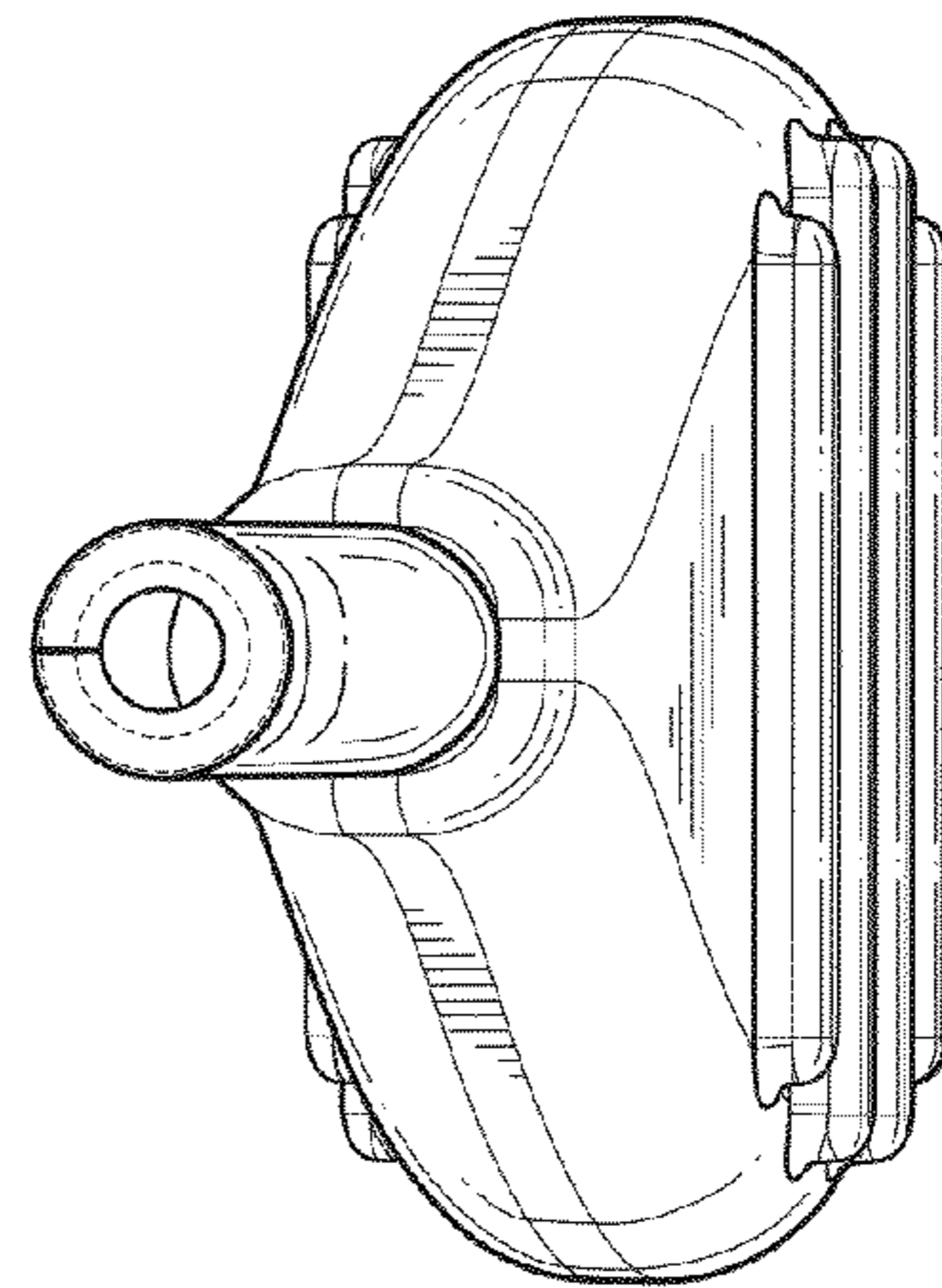


FIG. 5

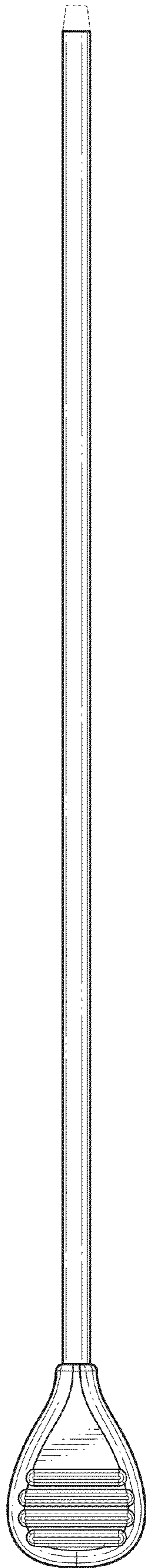


FIG. 6

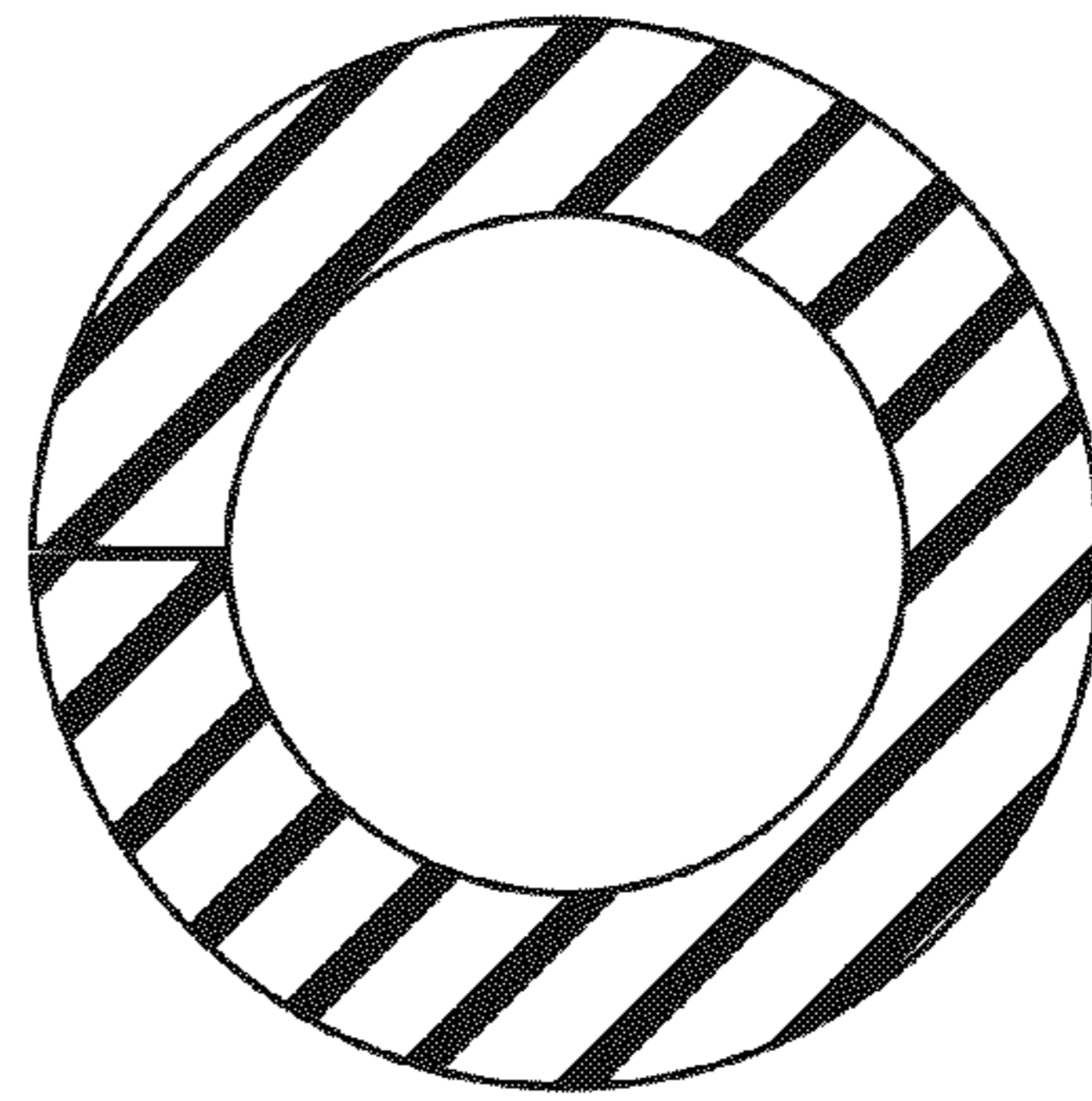


FIG. 7