



US00D710496S

(12) **United States Design Patent**  
**Stevens et al.**

(10) **Patent No.:** **US D710,496 S**  
(45) **Date of Patent:** **\*\* Aug. 5, 2014**

(54) **MECHANICALLY ASSISTED DEVICE HANDLE**

(75) Inventors: **Brian Stevens**, Pleasant Grove, UT (US); **William Padilla**, Sandy, UT (US); **Gregory R. McArthur**, Sandy, UT (US)

(73) Assignee: **Merit Medical Systems, Inc.**, South Jordan, UT (US)

(\*\*) Term: **14 Years**

(21) Appl. No.: **29/405,006**

(22) Filed: **Oct. 27, 2011**

(51) **LOC (10) Cl.** ..... **24-02**

(52) **U.S. Cl.**  
USPC ..... **D24/114**

(58) **Field of Classification Search**  
USPC ..... D24/127-131, 112-114, 133, 186;  
606/181, 185; 604/97.03, 98.01, 99.01,  
604/264, 272, 115, 232, 187, 158, 164.08,  
604/192, 263, 163, 181, 184, 198, 227;  
600/101, 139, 143; 128/200.24,  
128/207.14, 207.15

See application file for complete search history.

(56) **References Cited**

**U.S. PATENT DOCUMENTS**

5,047,015 A 9/1991 Foote et al.  
5,168,757 A \* 12/1992 Rabenau et al. .... 606/194

(Continued)

**OTHER PUBLICATIONS**

U.S. Appl. No. 29/430,061, filed Aug. 21, 2012, Lampropoulos et al.

(Continued)

*Primary Examiner* — David Muller

(74) *Attorney, Agent, or Firm* — Stoel Rives LLP

(57) **CLAIM**

The ornamental design for a mechanically assisted device handle, as shown and described.

**DESCRIPTION**

FIG. 1 is a perspective view of a mechanically assisted device handle.

FIG. 2 is a second perspective view of the mechanically assisted device handle of FIG. 1.

FIG. 3 is a front view of the mechanically assisted device handle of FIG. 1.

FIG. 4 is a back view mechanically assisted device handle of FIG. 1.

FIG. 5 is a left side view of the mechanically assisted device handle of FIG. 1.

FIG. 6 is a right side view of the mechanically assisted device handle of FIG. 1.

FIG. 7 top view of the mechanically assisted device handle of FIG. 1.

FIG. 8 is a bottom view of the mechanically assisted device handle of FIG. 1.

FIG. 9 is a perspective view of the trigger portion of the embodiment of the mechanically assisted device handle of FIG. 1, shown separately for ease of illustration.

FIG. 10 is a second perspective view of the trigger portion of FIG. 9.

FIG. 11 is a front view of the trigger portion of FIG. 9.

FIG. 12 is a top view of the trigger portion of FIG. 9.

FIG. 13 is a bottom view of the trigger portion of FIG. 9.

FIG. 14 is a left side view of the trigger portion of FIG. 9.

FIG. 15 is a back view of the trigger portion of FIG. 9.

FIG. 16 is a right side view of the trigger portion of FIG. 9.

FIG. 17 is a perspective view of the cap portion of the embodiment of the mechanically assisted device handle of FIG. 1, shown separately for ease of illustration.

FIG. 18 is a second perspective view of the cap portion of FIG. 17.

FIG. 19 is a front view of the cap portion of FIG. 17.

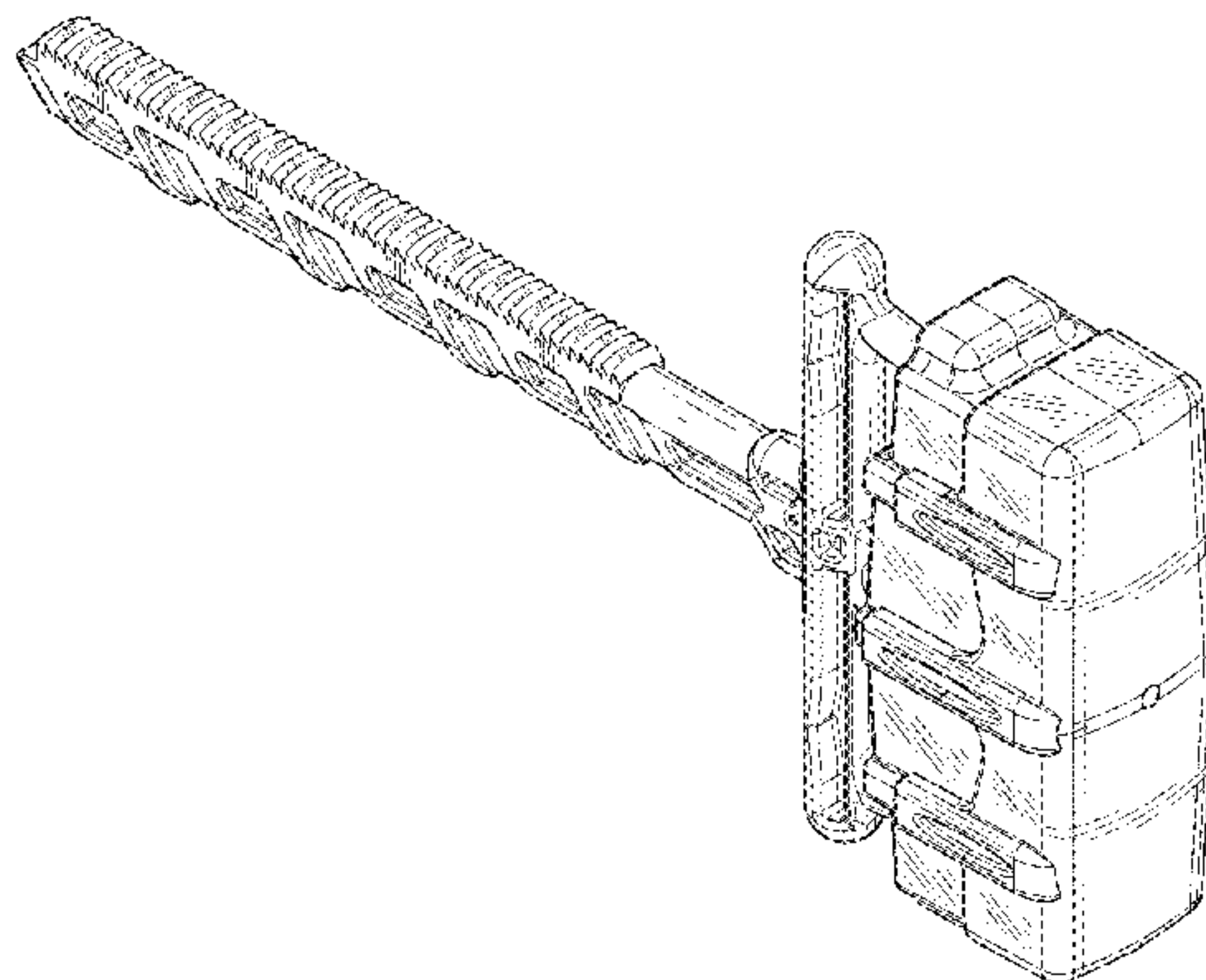
FIG. 20 is a top view of the cap portion of FIG. 17.

FIG. 21 is a bottom view of the cap portion of FIG. 17.

FIG. 22 is a left side view of the cap portion of FIG. 17; and,

FIG. 23 is a right side view of the cap portion of FIG. 17.

**1 Claim, 8 Drawing Sheets**



(56)

**References Cited**

U.S. PATENT DOCUMENTS

5,279,563 A \* 1/1994 Brucker et al. .... 604/97.02  
5,306,248 A \* 4/1994 Barrington ..... 604/97.02  
5,336,183 A \* 8/1994 Greelis et al. .... 604/97.03  
5,425,713 A 6/1995 Taylor et al.  
5,453,091 A 9/1995 Taylor et al.  
5,554,132 A \* 9/1996 Straits et al. .... 604/227  
5,571,133 A \* 11/1996 Yoon ..... 606/185  
D376,357 S \* 12/1996 Ferland et al. .... D14/428  
5,609,604 A \* 3/1997 Schwemberger et al. .... 606/185  
5,674,237 A \* 10/1997 Ott ..... 606/185  
D489,456 S \* 5/2004 Groenke et al. .... D24/133  
6,796,959 B2 \* 9/2004 Davis et al. .... 604/97.03  
7,351,223 B2 \* 4/2008 Call ..... 604/97.03

7,530,970 B2 5/2009 McArthur et al.  
7,892,202 B2 2/2011 Lampropoulos et al.  
8,118,776 B2 2/2012 Lampropoulos et al.  
D683,452 S \* 5/2013 Davies et al. .... D24/144

OTHER PUBLICATIONS

U.S. Appl. No. 13/464,046, filed May 4, 2012, Lampropoulos et al.  
U.S. Appl. No. 29/424,608, filed Jun. 13, 2012, Lampropoulos et al.  
International Search Report and Written Opinion dated Aug. 17, 2012  
for PCT/US2012/036473.  
Office Action dated Apr. 12, 2013 for U.S. Appl. No. 13/464,046.  
Notice of Allowance dated Aug. 7, 2013 for U.S. Appl. No.  
13/464,046.

\* cited by examiner

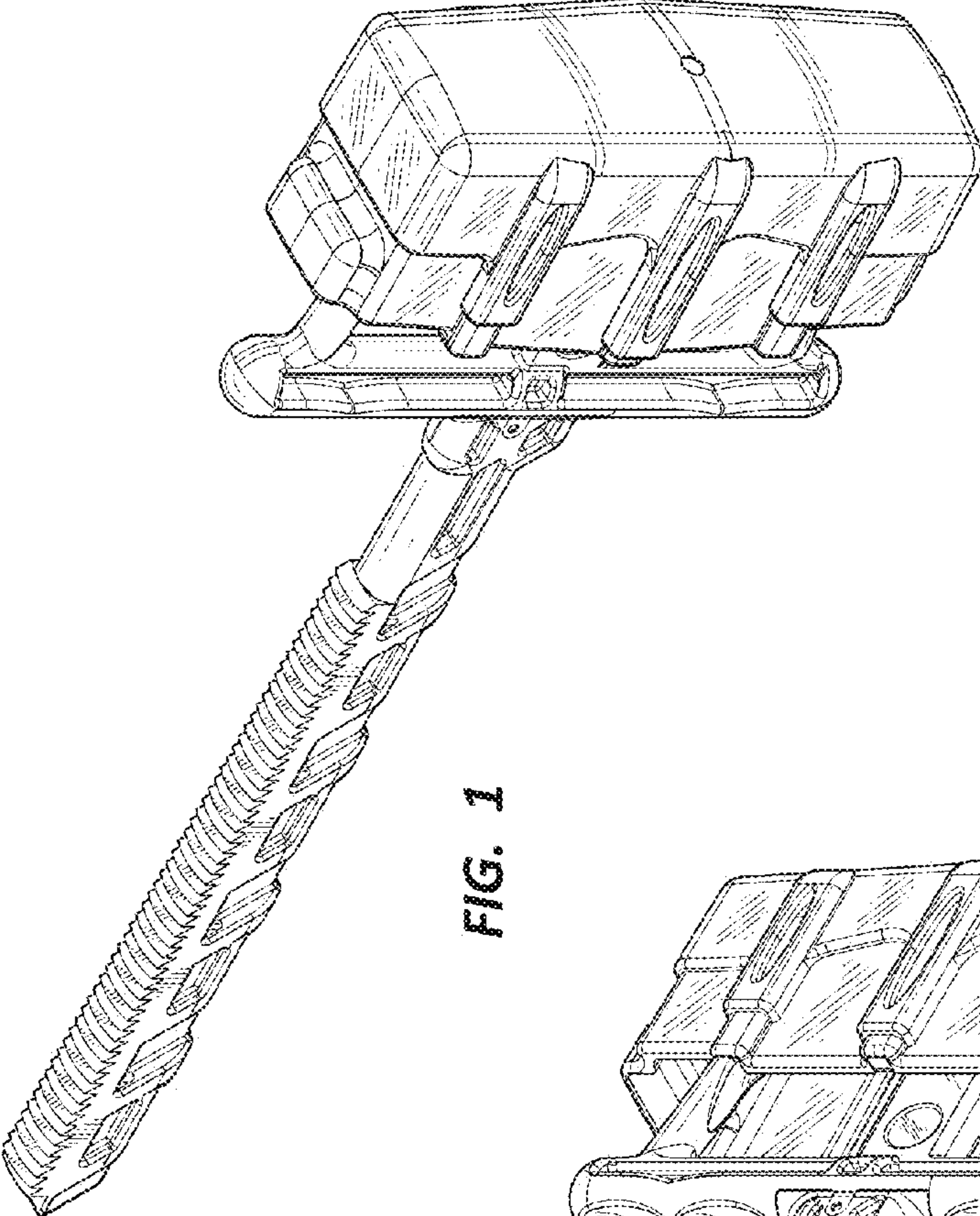


FIG. 1

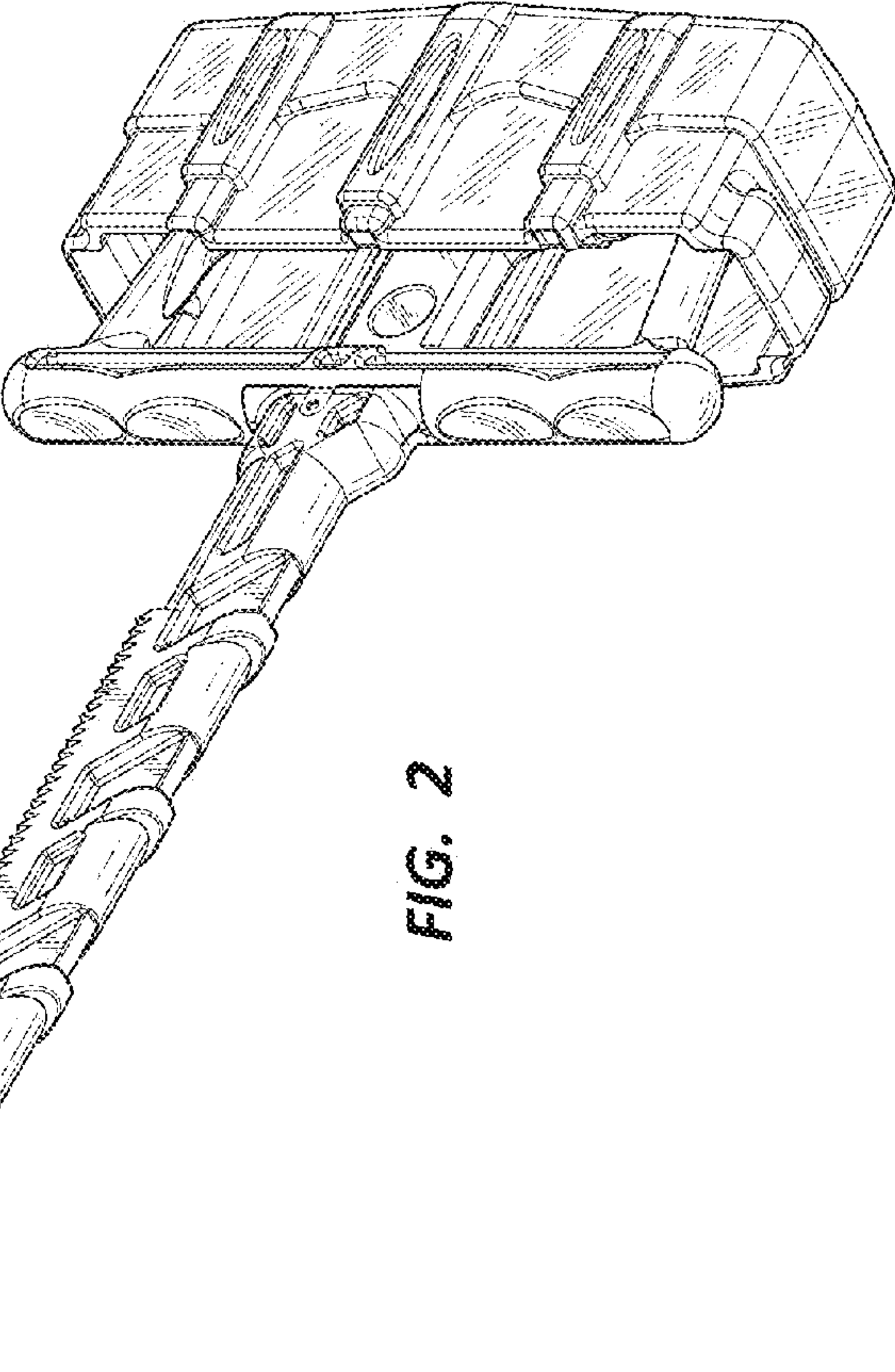


FIG. 2



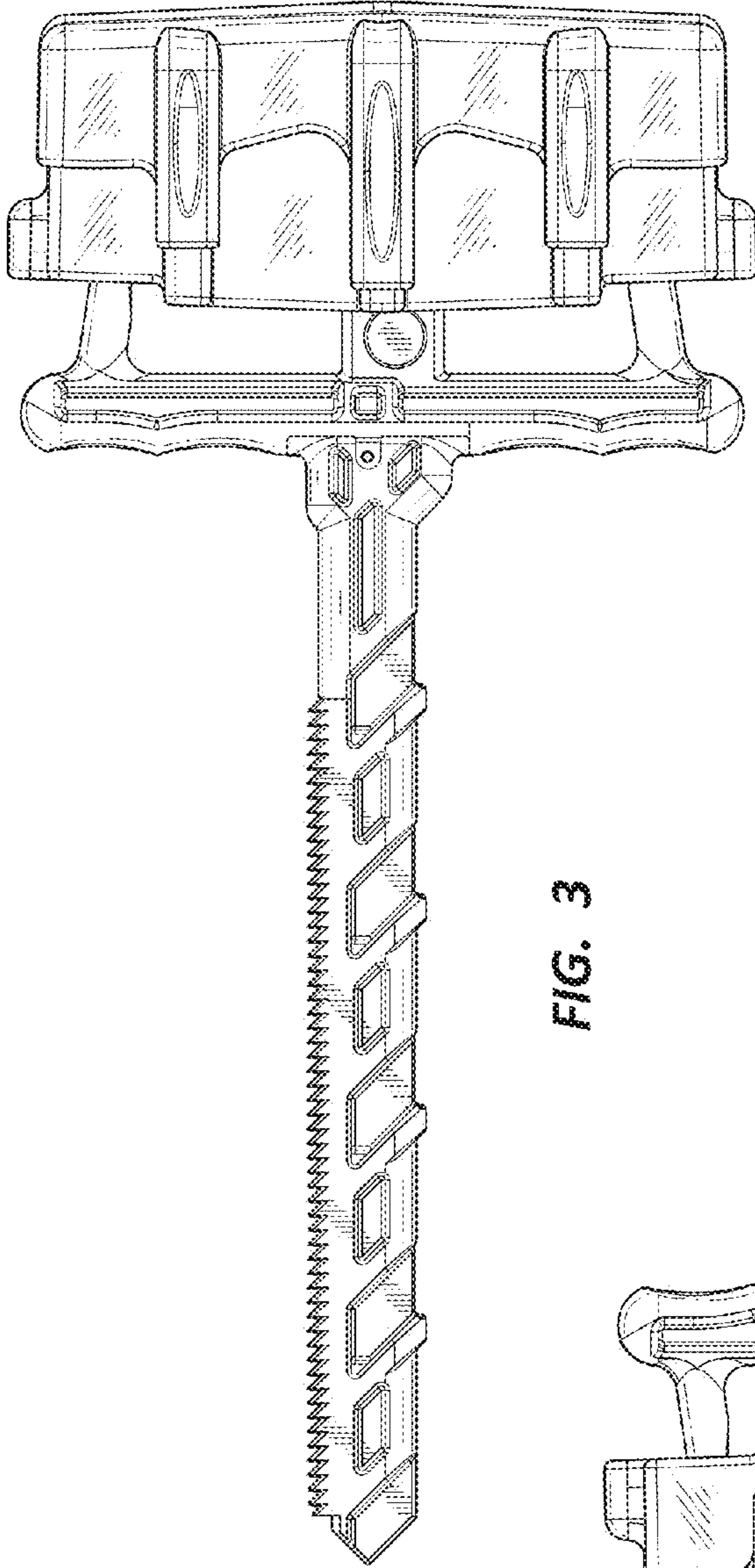


FIG. 3

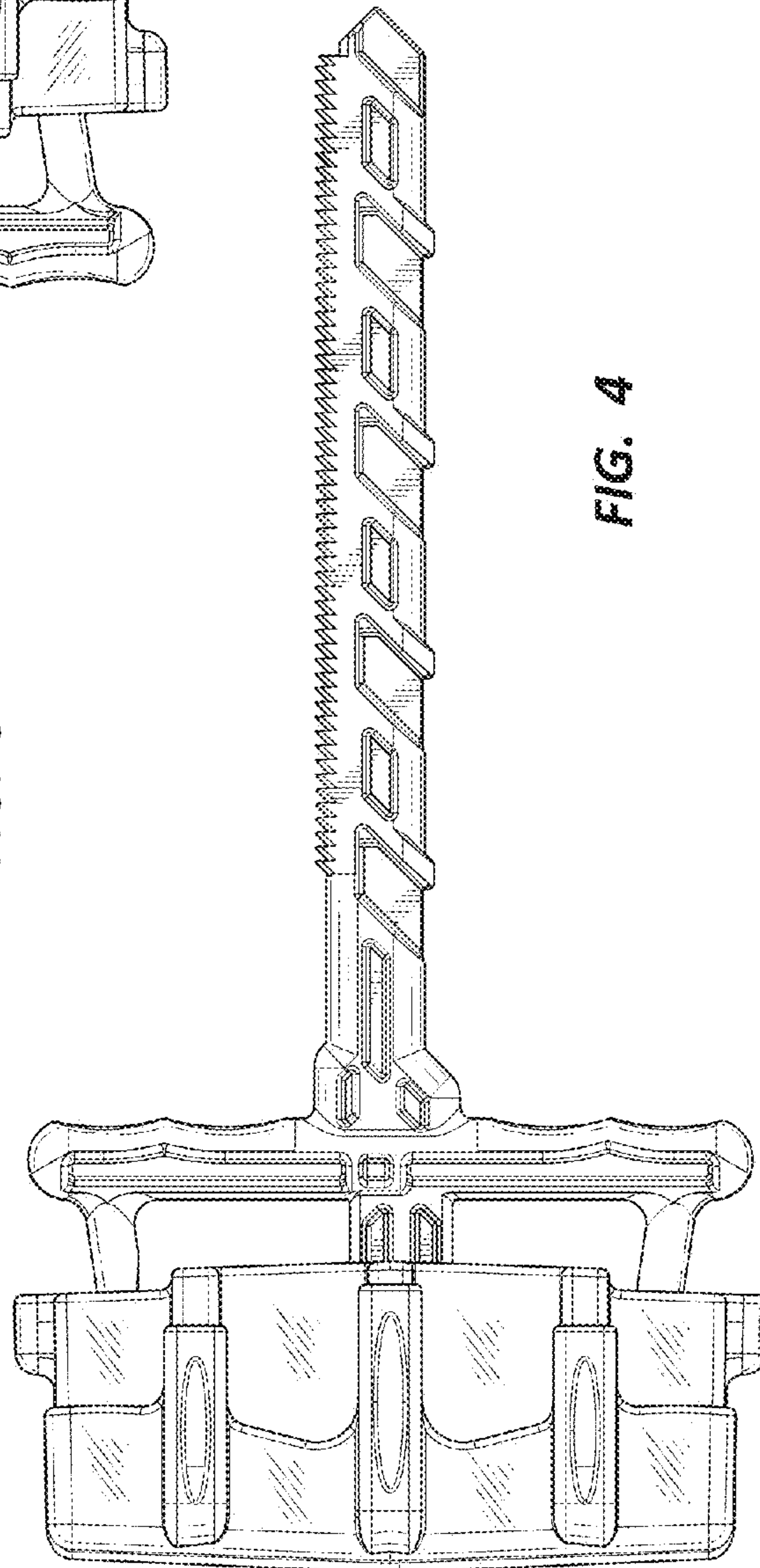
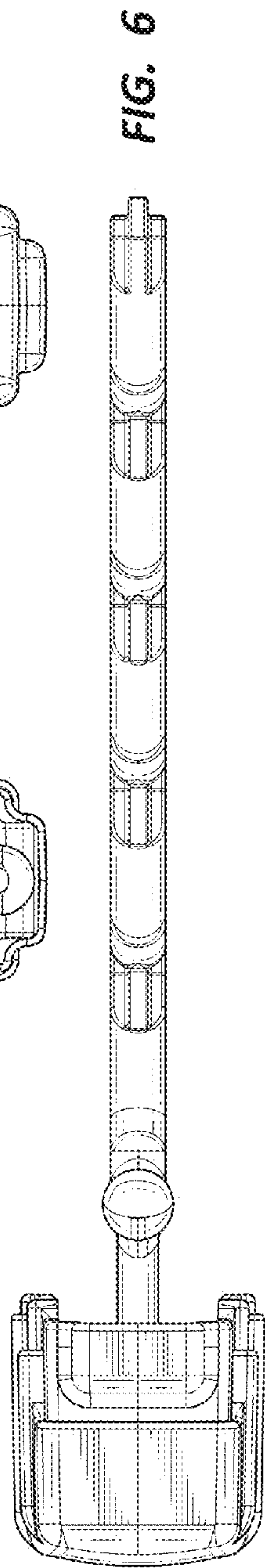
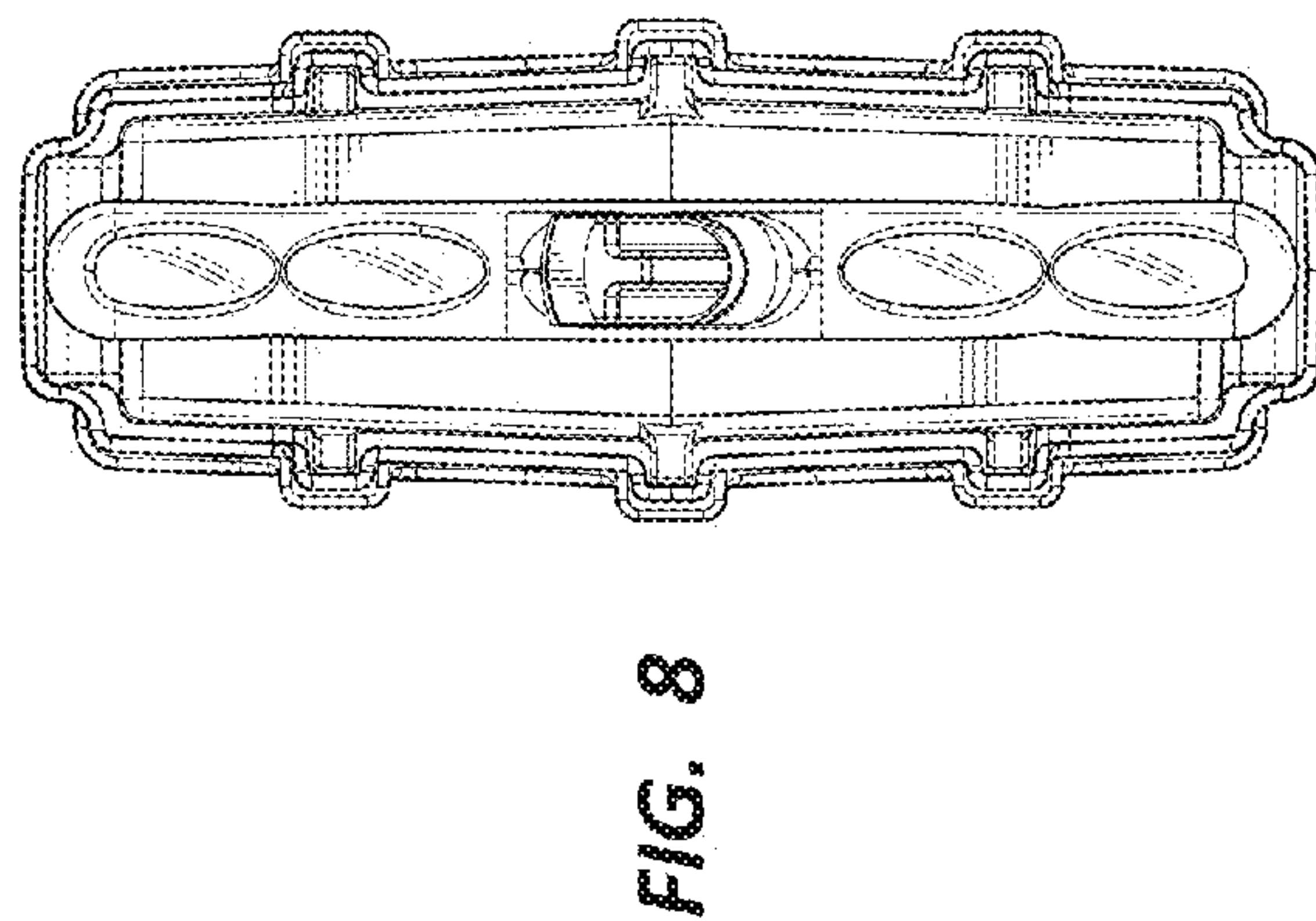
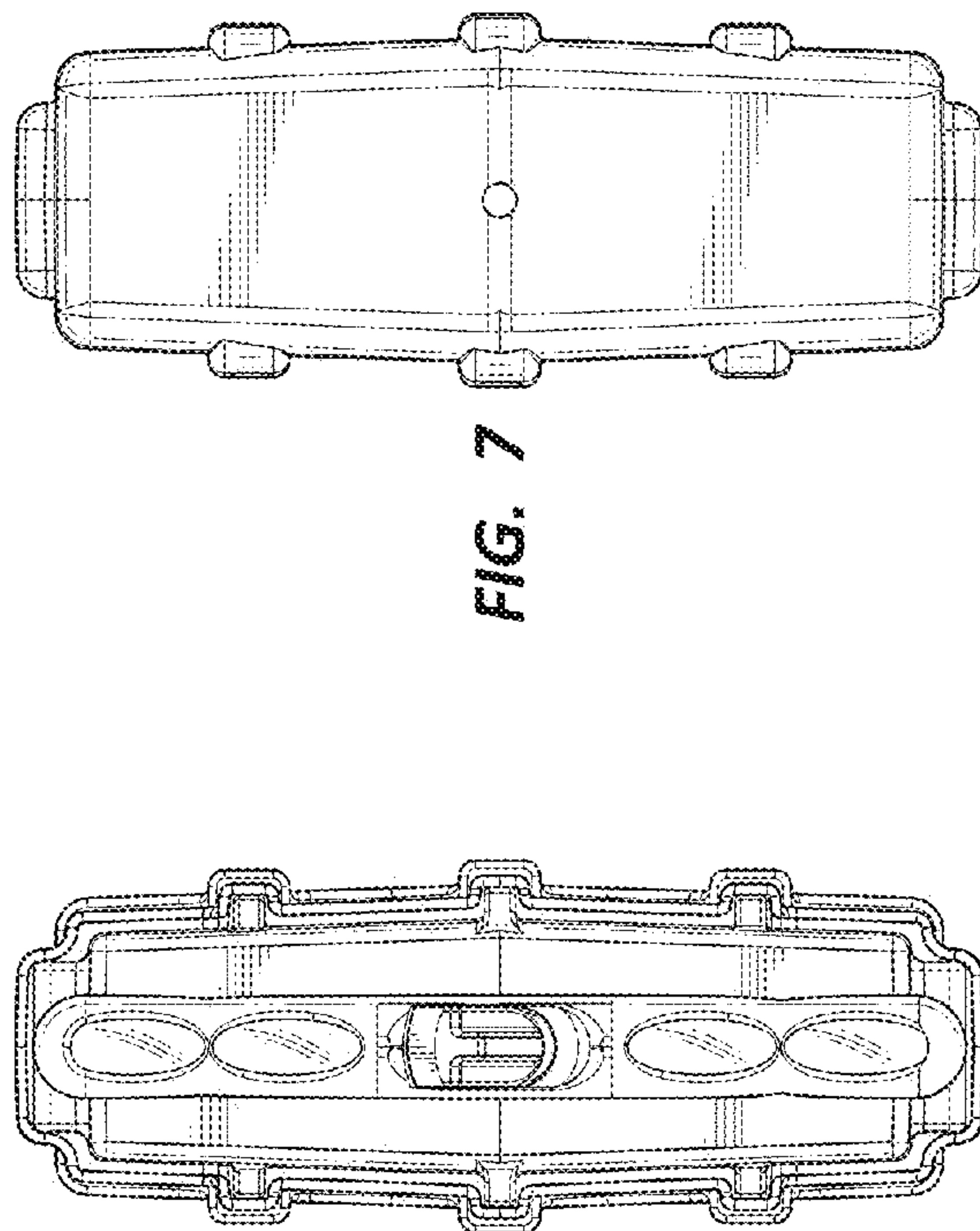
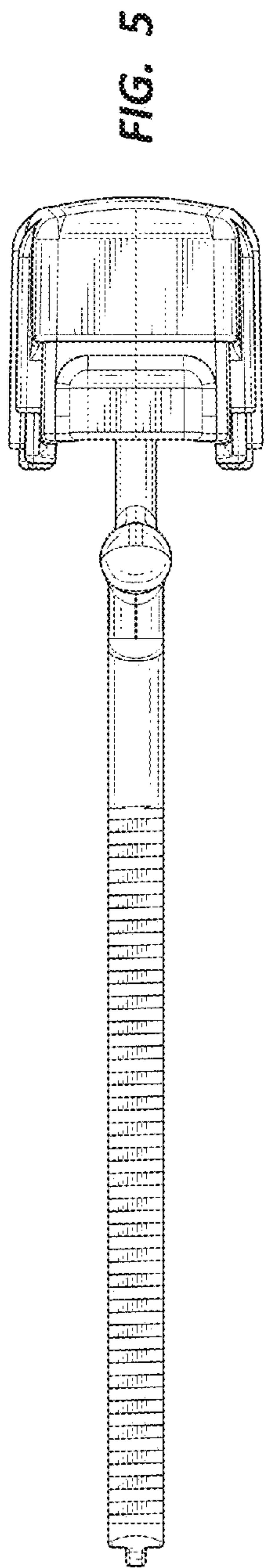


FIG. 4



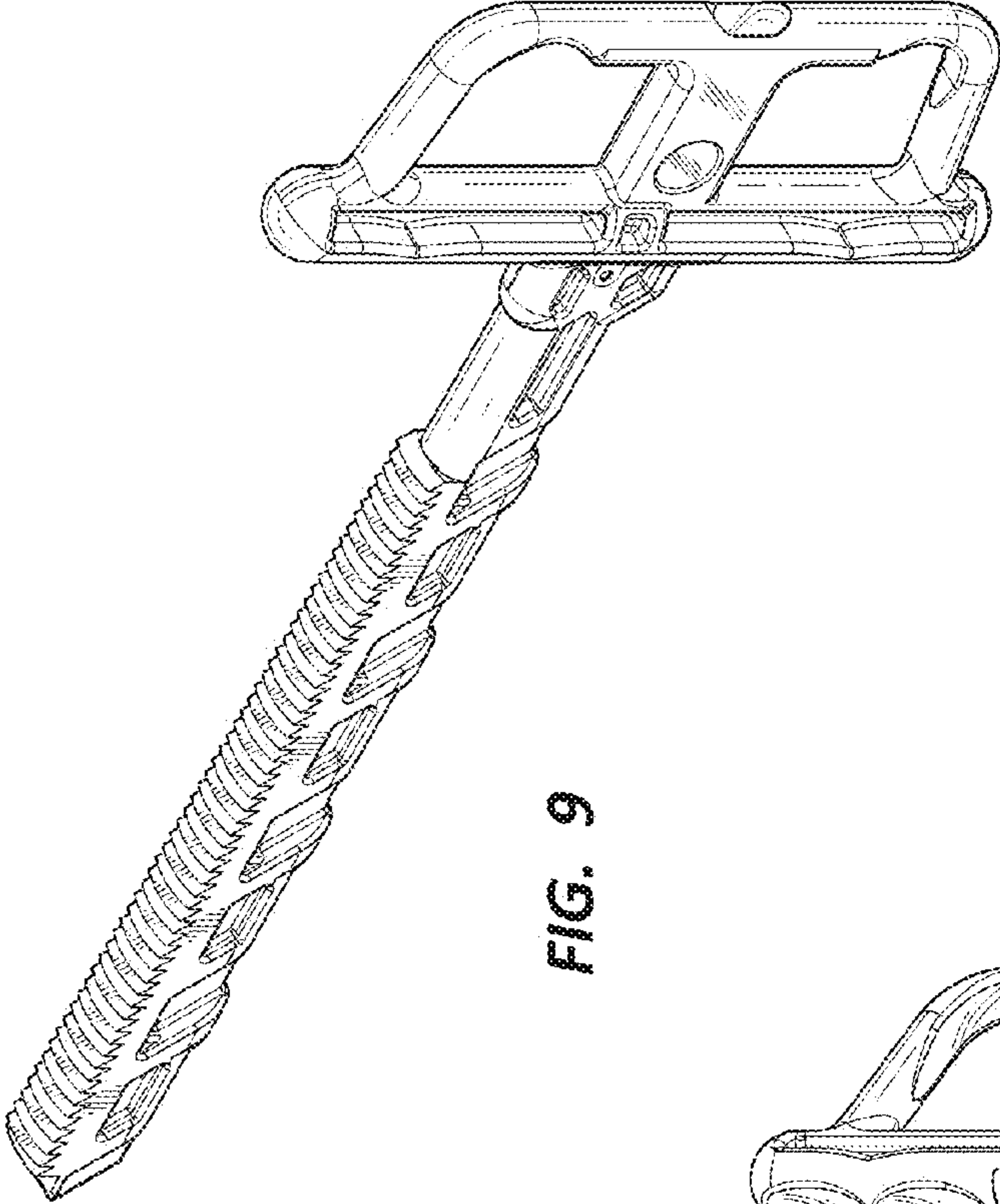


FIG. 9

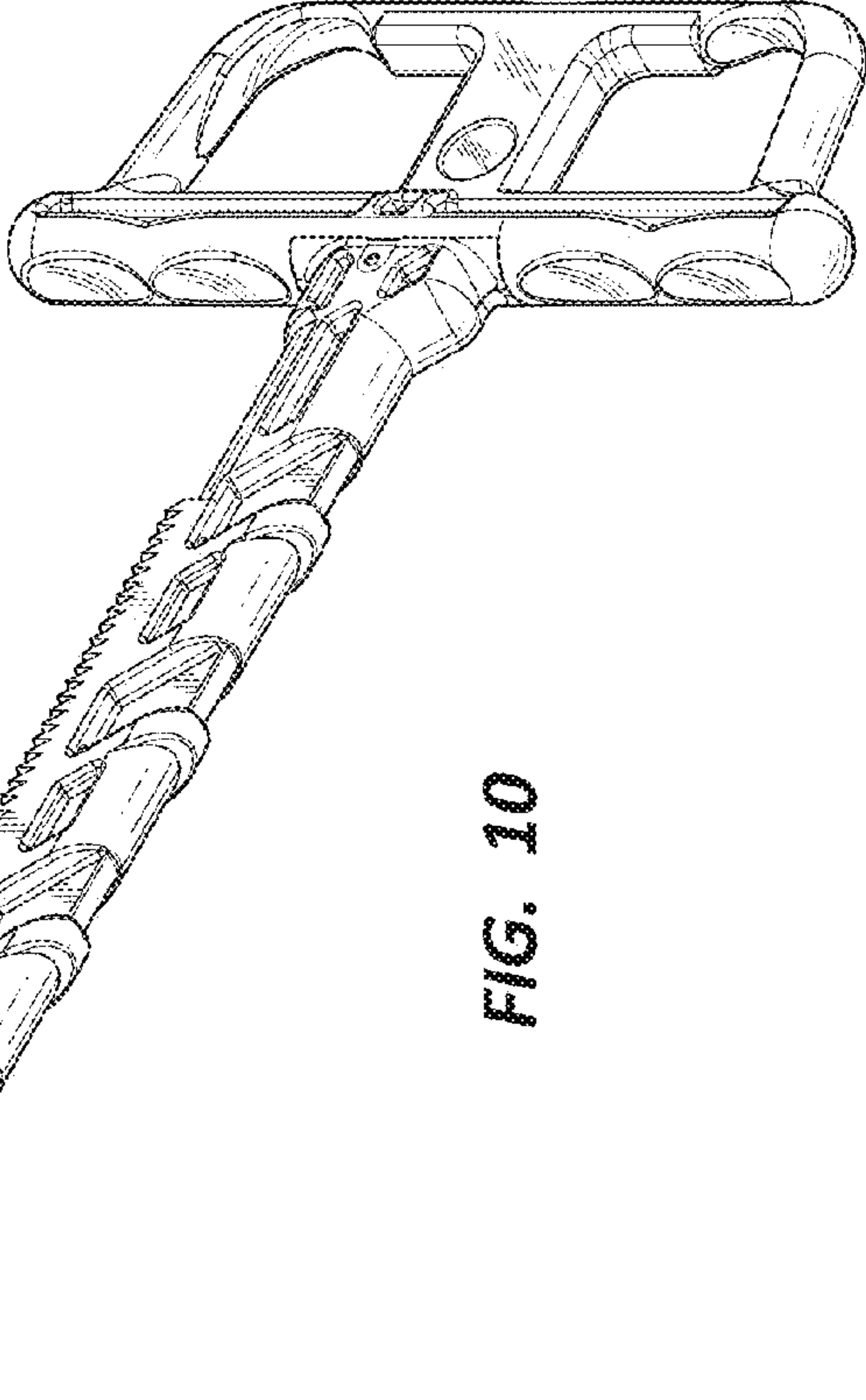


FIG. 10



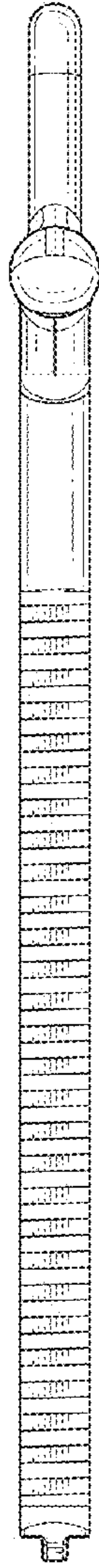


FIG. 14

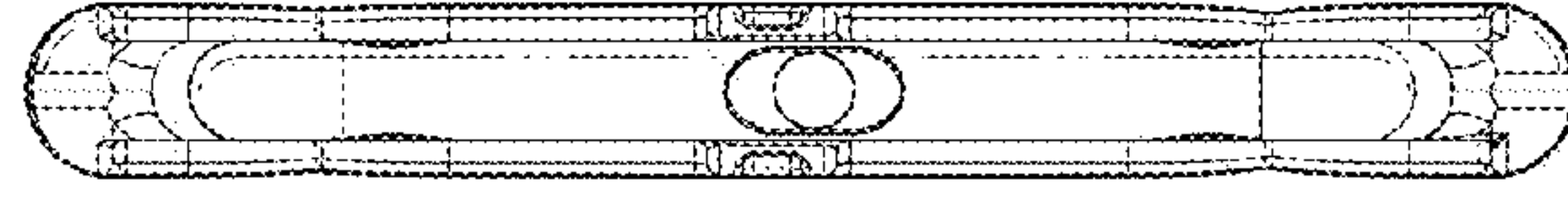


FIG. 12

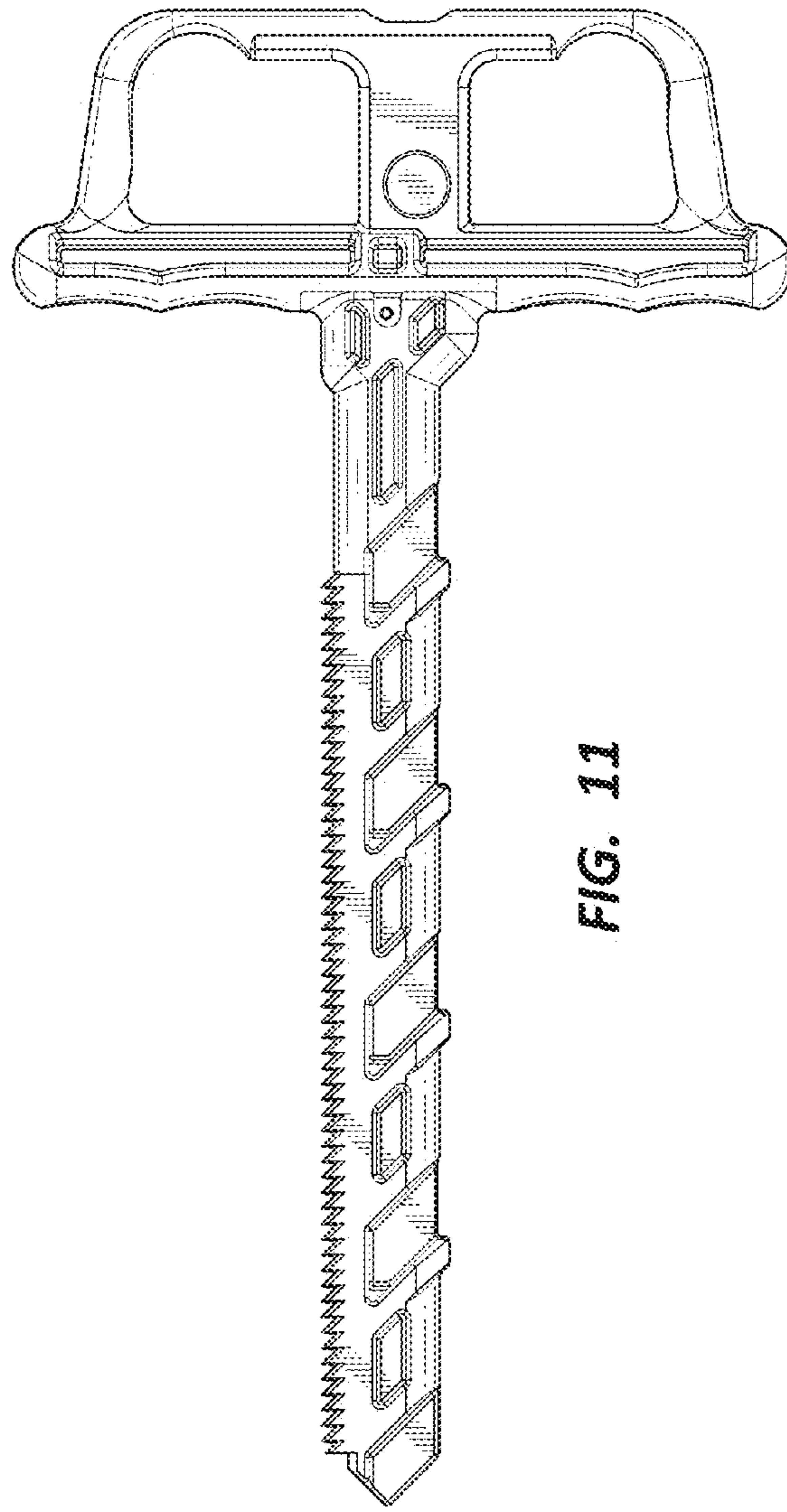


FIG. 11

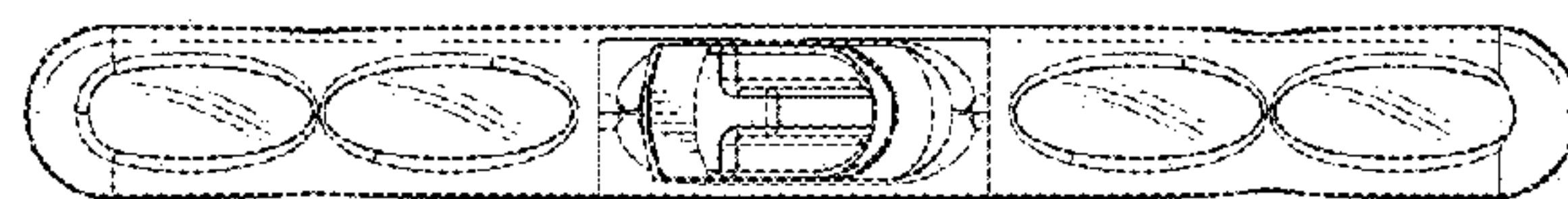


FIG. 13

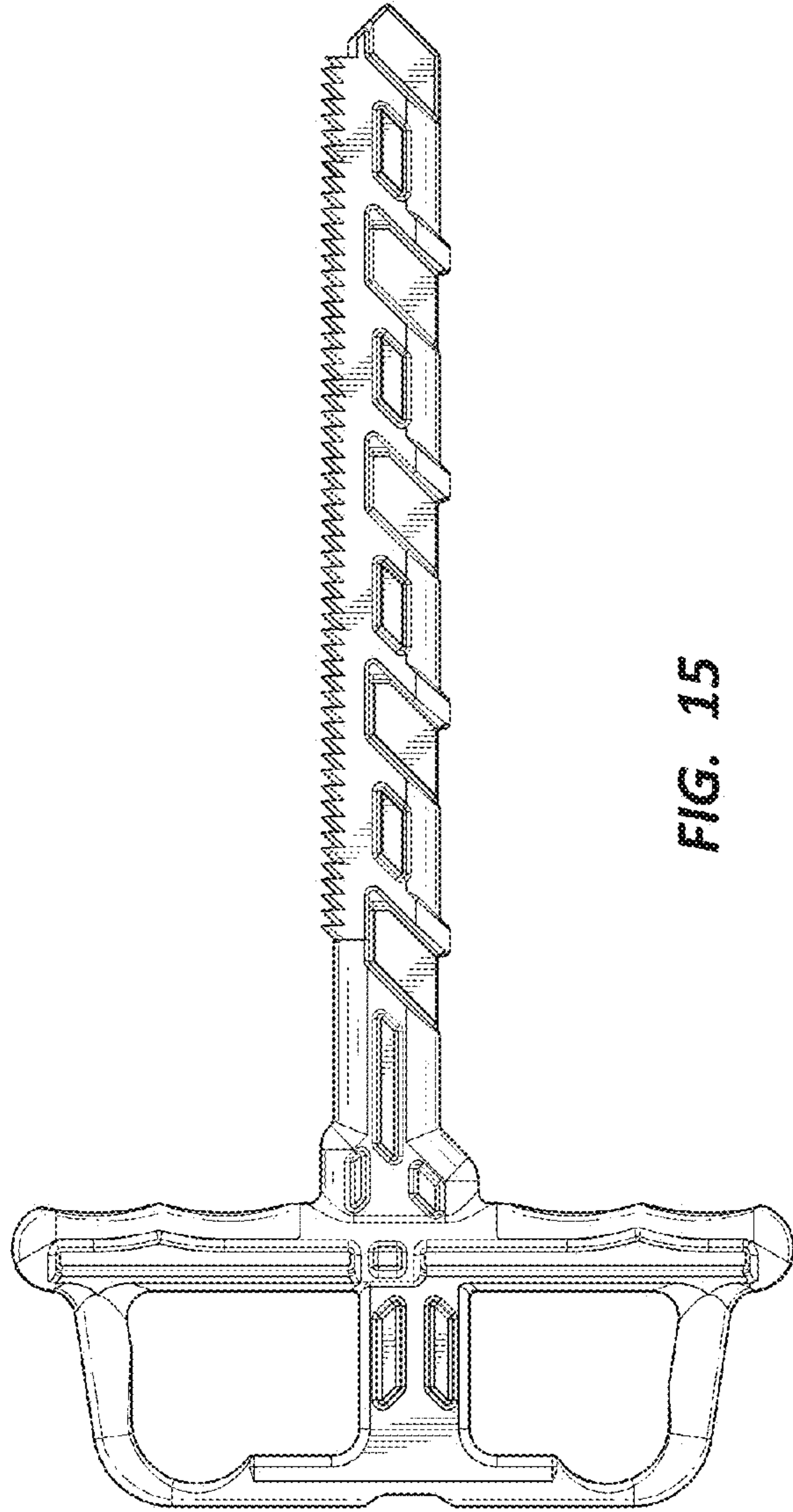


FIG. 15



FIG. 16



FIG. 17

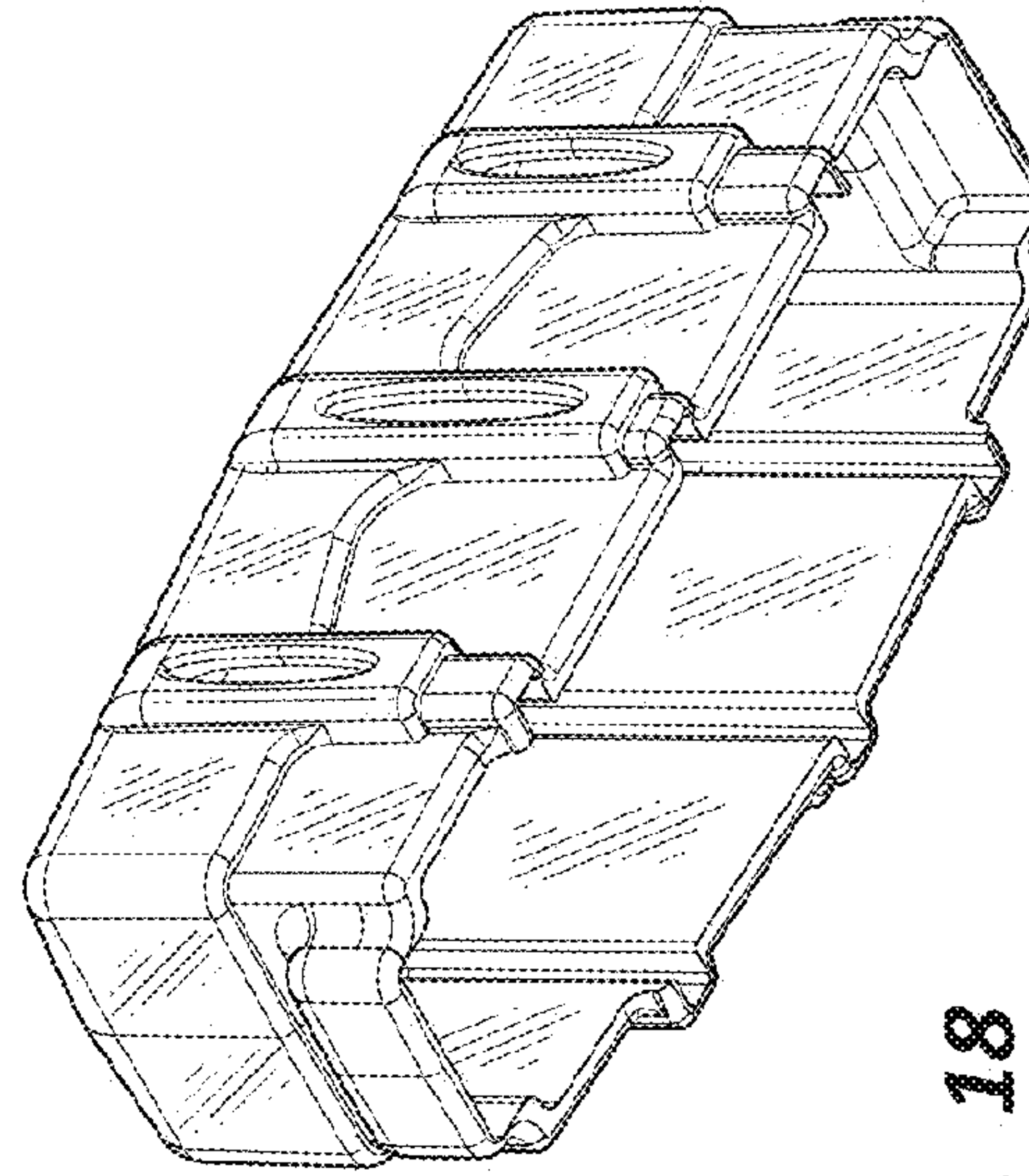
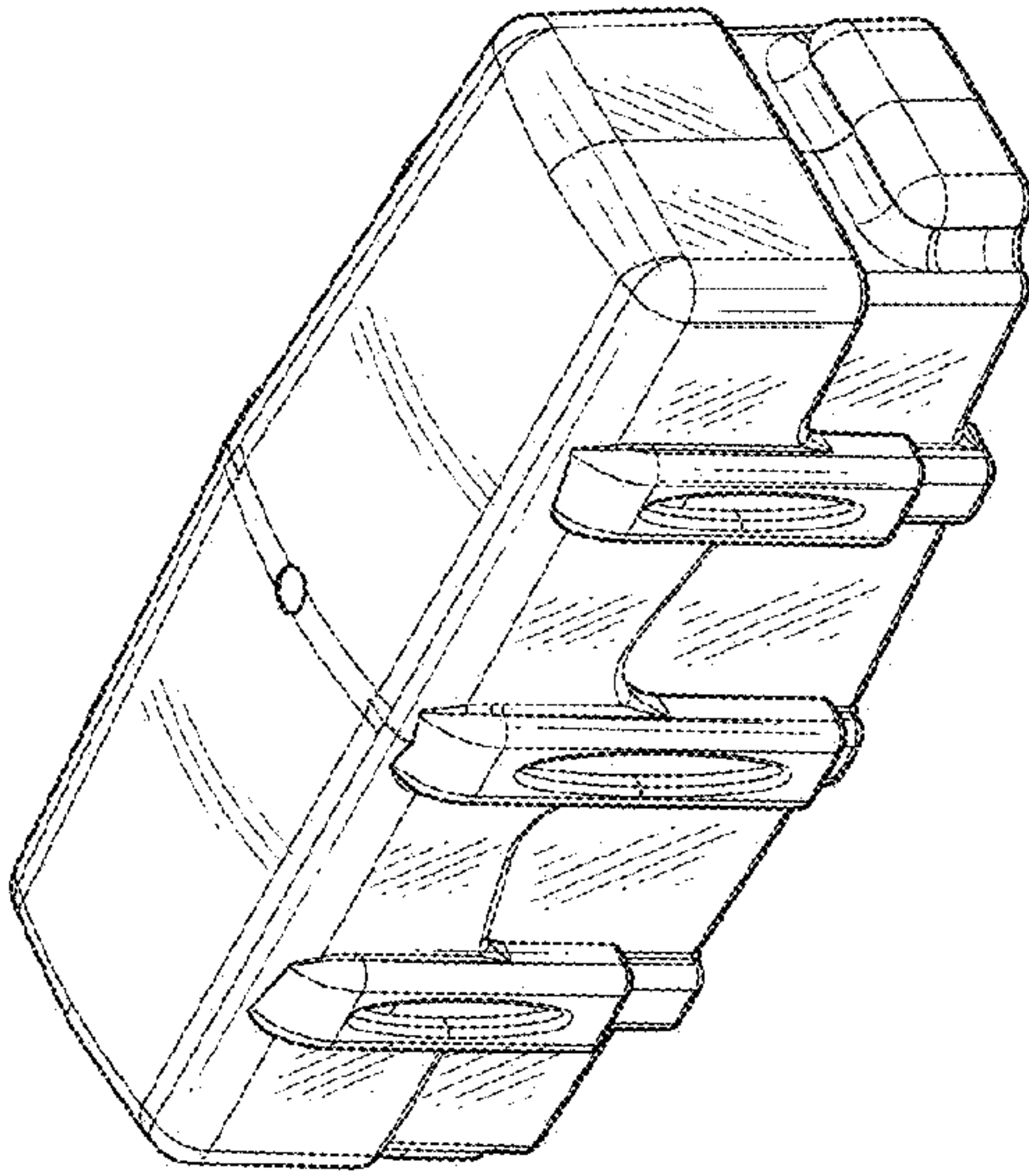


FIG. 18

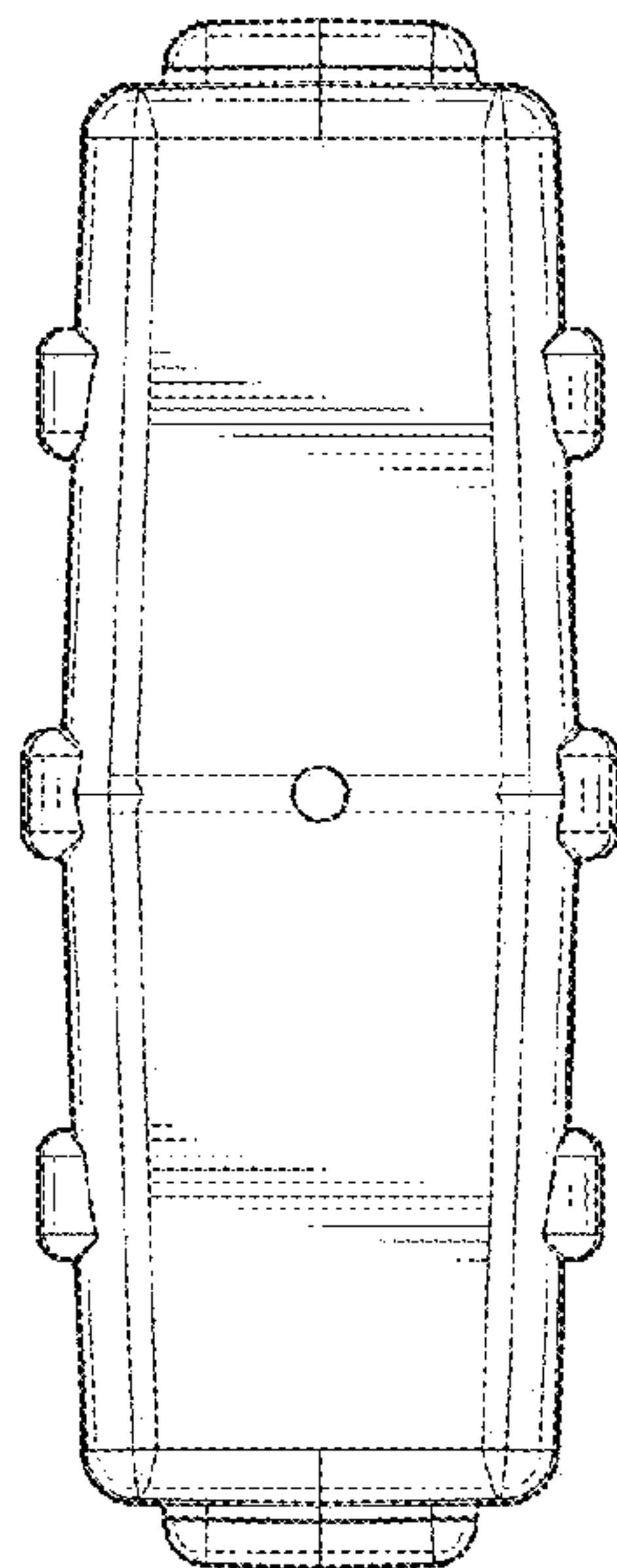


FIG. 20

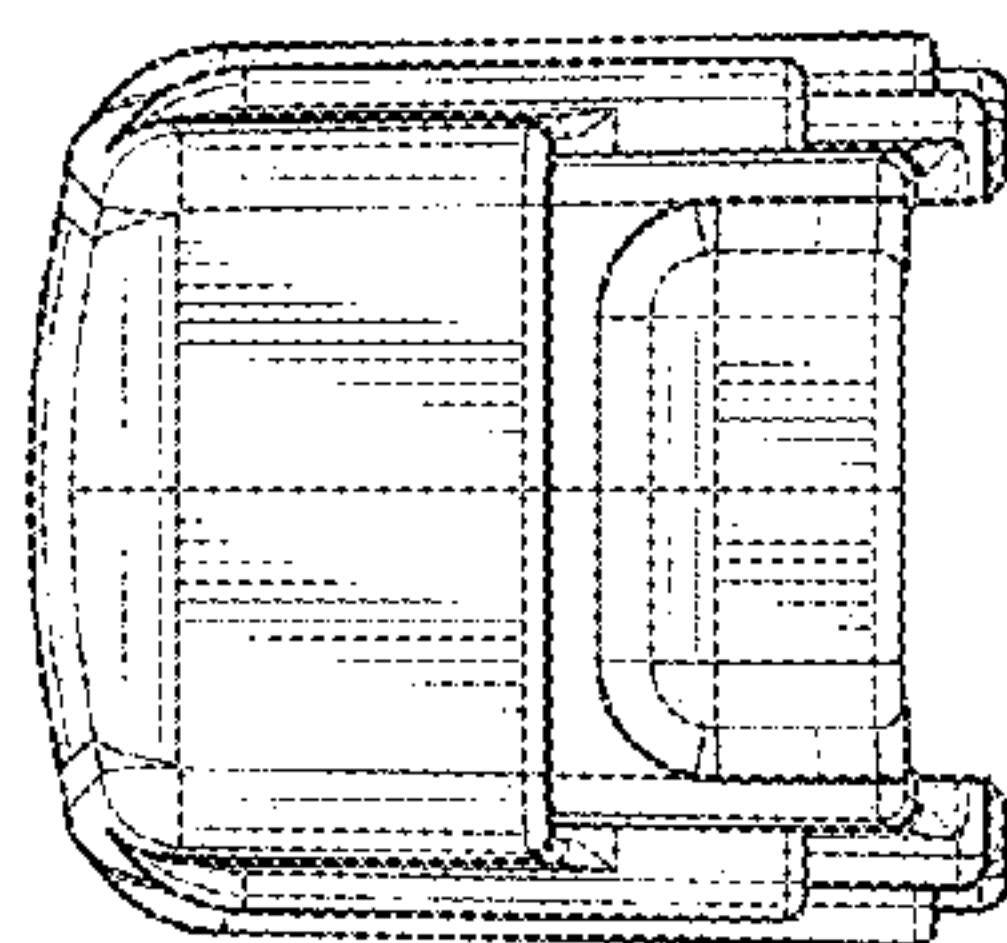


FIG. 22

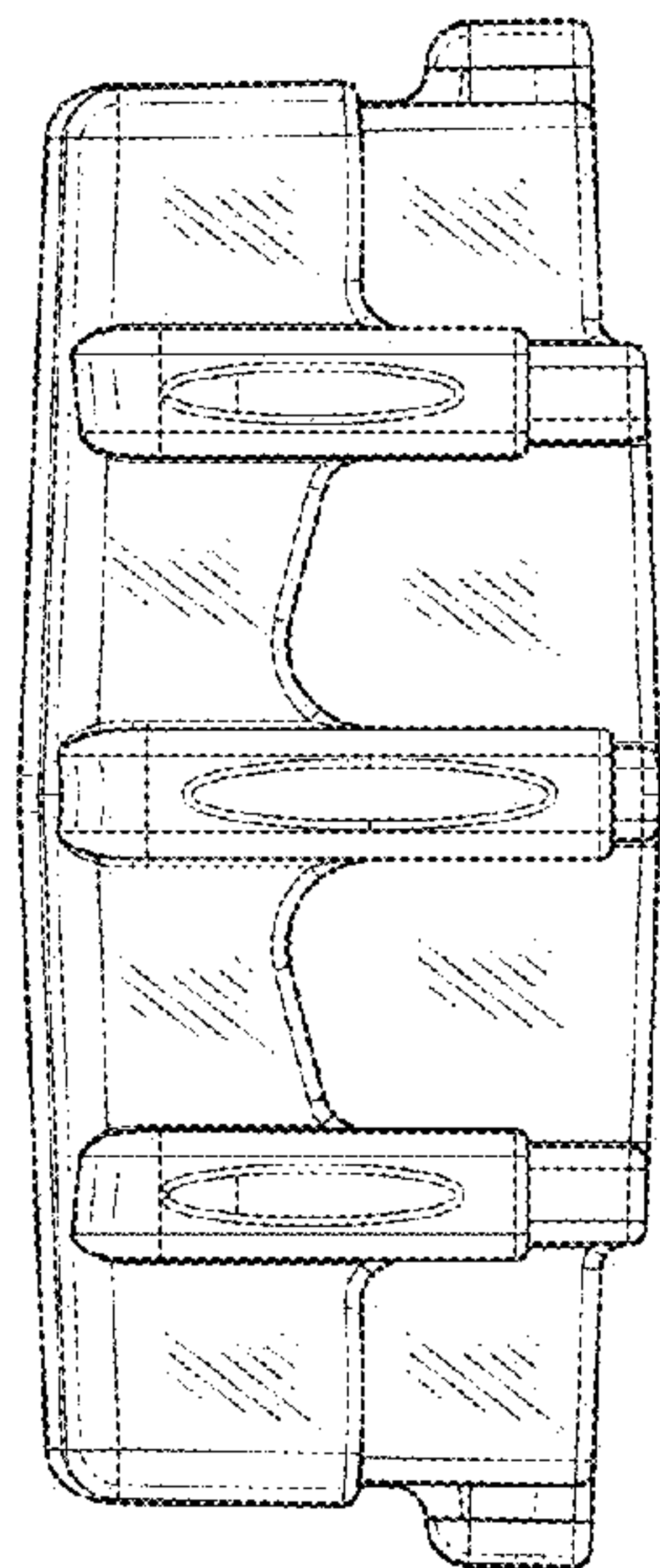


FIG. 19

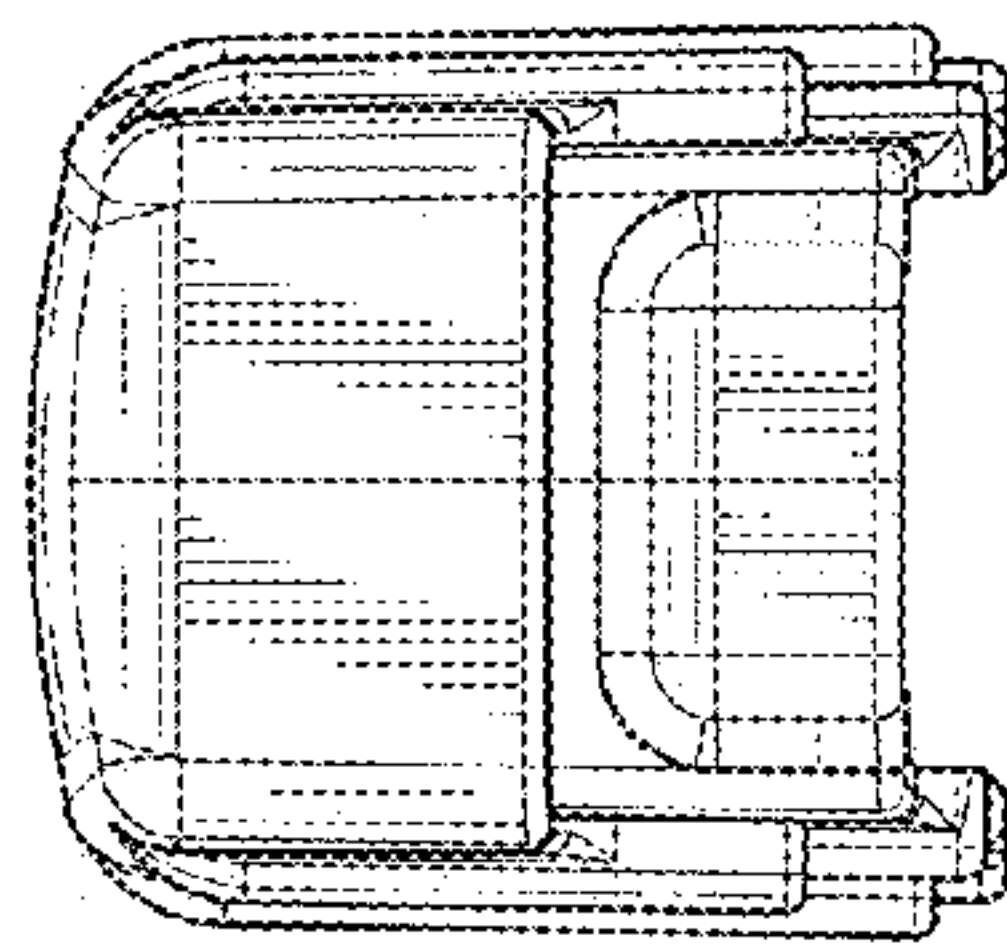


FIG. 23

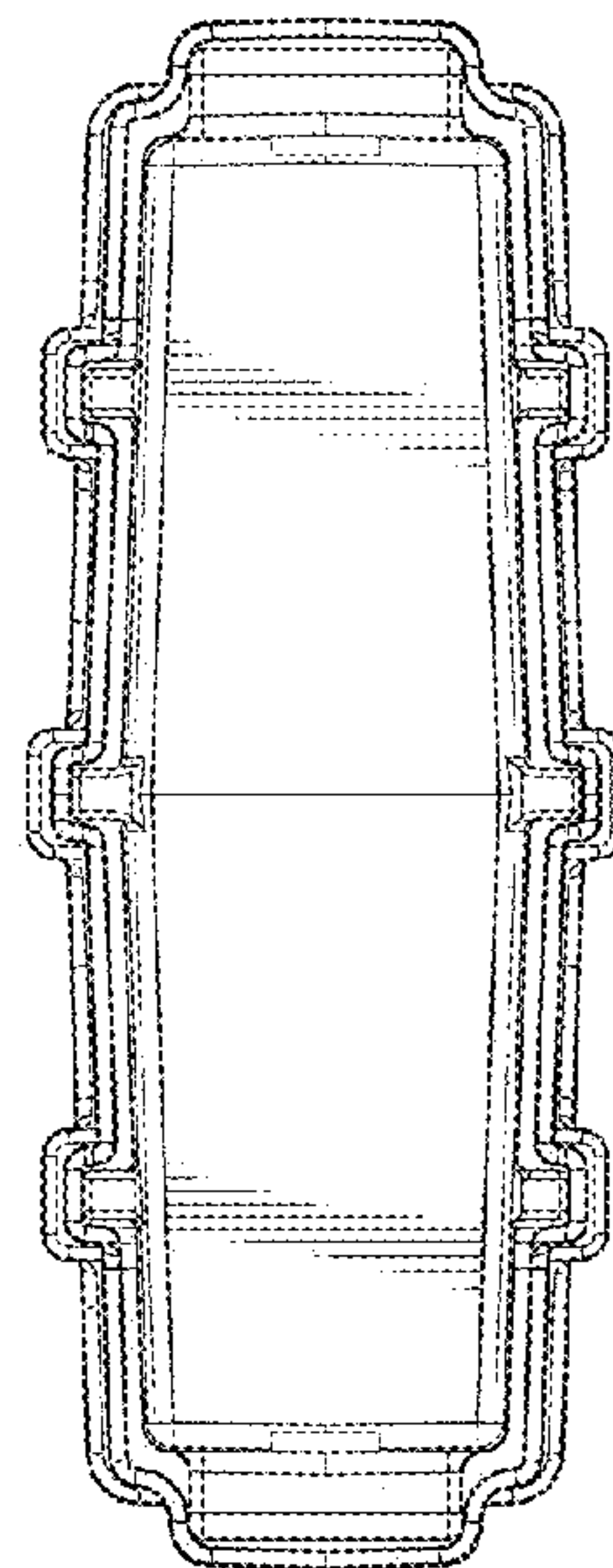


FIG. 21