



US00D710495S

(12) **United States Design Patent**  
**Wu et al.**

(10) **Patent No.:** **US D710,495 S**

(45) **Date of Patent:** **\*\* Aug. 5, 2014**

(54) **PERIPHERALLY INSERTED CENTRAL CATHETER**

(71) Applicants: **Mao-Tsun Wu**, Taichung (TW); **Yen-Ni Hung**, Taipei (TW); **Chen Yang**, Taoyuan County (TW)

(72) Inventors: **Mao-Tsun Wu**, Taichung (TW); **Yen-Ni Hung**, Taipei (TW); **Chen Yang**, Taoyuan County (TW)

(\*\*) Term: **14 Years**

(21) Appl. No.: **29/450,391**

(22) Filed: **Mar. 18, 2013**

(51) **LOC (10) Cl.** ..... **24-02**

(52) **U.S. Cl.**  
USPC ..... **D24/112**

(58) **Field of Classification Search**  
USPC ..... D24/112-114, 130, 127, 133, 186, 108;  
606/181, 185; 604/264, 272, 115,  
604/164.01-164.09, 533, 232, 187, 168.01,  
604/192, 19, 48, 93.01, 523, 524, 526;  
600/101, 139, 143; 128/200.24,  
128/207.14, 207.15

See application file for complete search history.

(56) **References Cited**

**U.S. PATENT DOCUMENTS**

5,211,644 A \* 5/1993 VanBeek et al. .... 604/264  
D340,111 S \* 10/1993 Yoshikawa ..... D24/112  
7,241,283 B2 \* 7/2007 Putz ..... 604/164.09

D625,811 S \* 10/2010 Cuschieri et al. .... D24/133  
D630,735 S \* 1/2011 Behrbohm ..... D24/133  
7,914,504 B2 \* 3/2011 Klein ..... 604/264  
D638,938 S \* 5/2011 Doll ..... D24/133  
8,057,430 B2 \* 11/2011 Grovender et al. .... 604/524  
D668,336 S \* 10/2012 Yanagawa ..... D24/130  
D670,381 S \* 11/2012 Dapri et al. .... D24/133  
D679,803 S \* 4/2013 Carter ..... D24/112  
D685,466 S \* 7/2013 Moshinsky ..... D24/130  
D699,341 S \* 2/2014 Clark ..... D24/112

\* cited by examiner

*Primary Examiner* — David Muller

(57) **CLAIM**

We claim the ornamental design for a peripherally inserted central catheter, as shown and described.

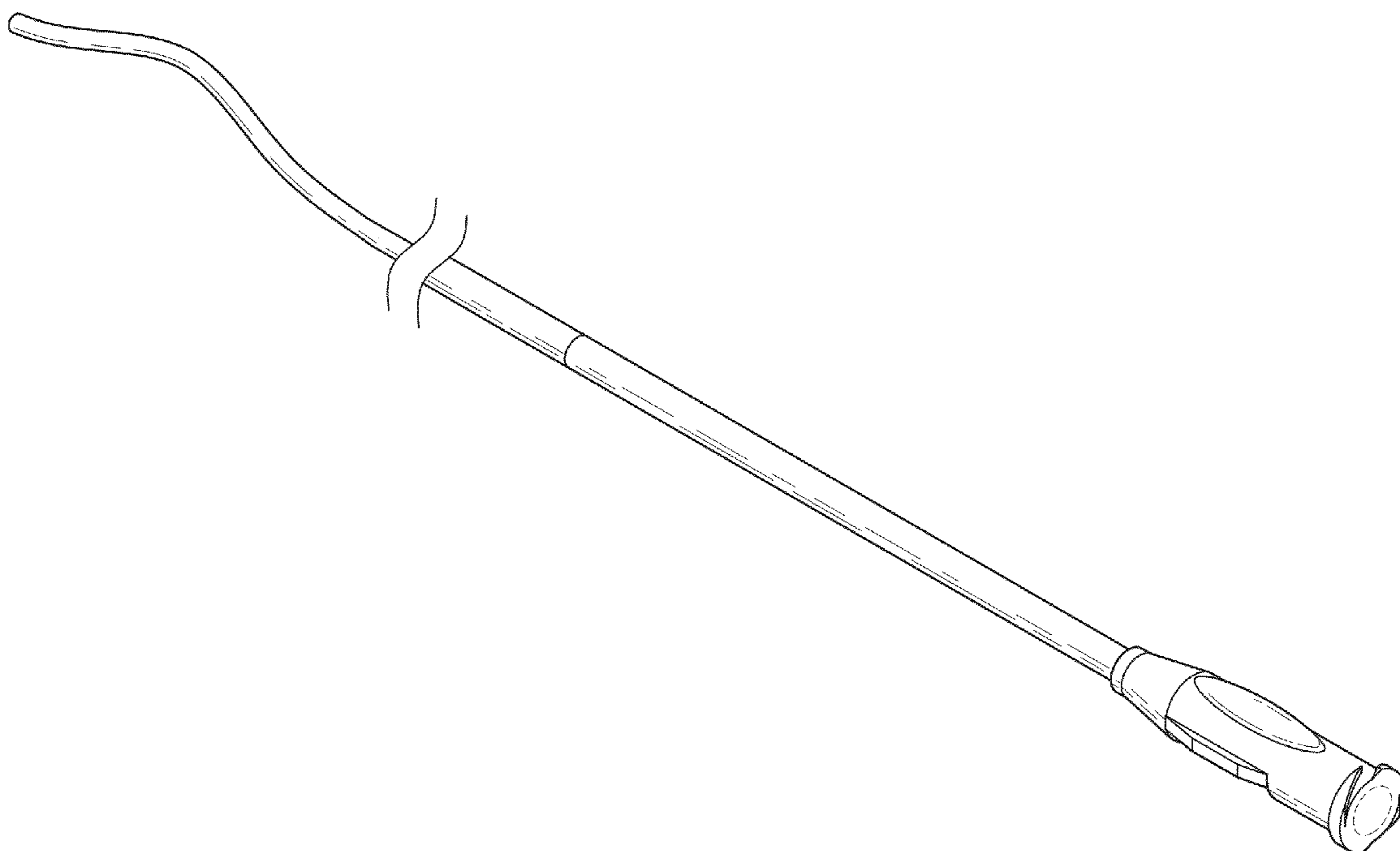
**DESCRIPTION**

FIG. 1 is a perspective view of a peripherally inserted central catheter showing our new design;  
FIG. 2 is an enlarged front view thereof;  
FIG. 3 is an enlarged rear view thereof;  
FIG. 4 is a left side view thereof;  
FIG. 5 is a right side view thereof;  
FIG. 6 is a top plan view thereof;  
FIG. 7 is a bottom plan view thereof; and,  
FIG. 8 is a perspective view showing the peripherally inserted central catheter in use.

The broken lines are included for the purpose of illustrating portions of the peripherally inserted central catheter that forms no part of the claimed design.

The claimed design is broken in two to indicate that no particular length is claimed.

**1 Claim, 8 Drawing Sheets**



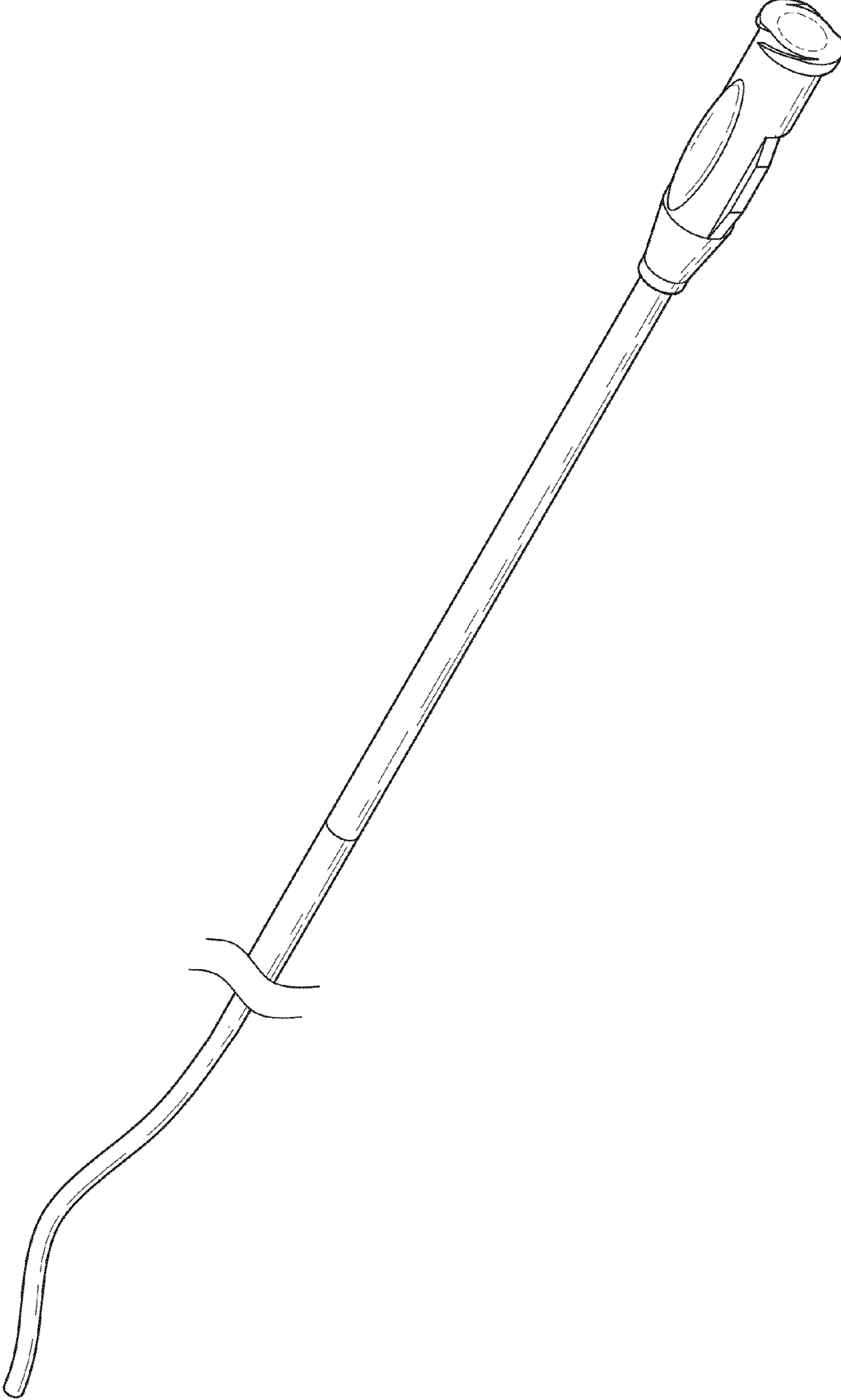


FIG. 1

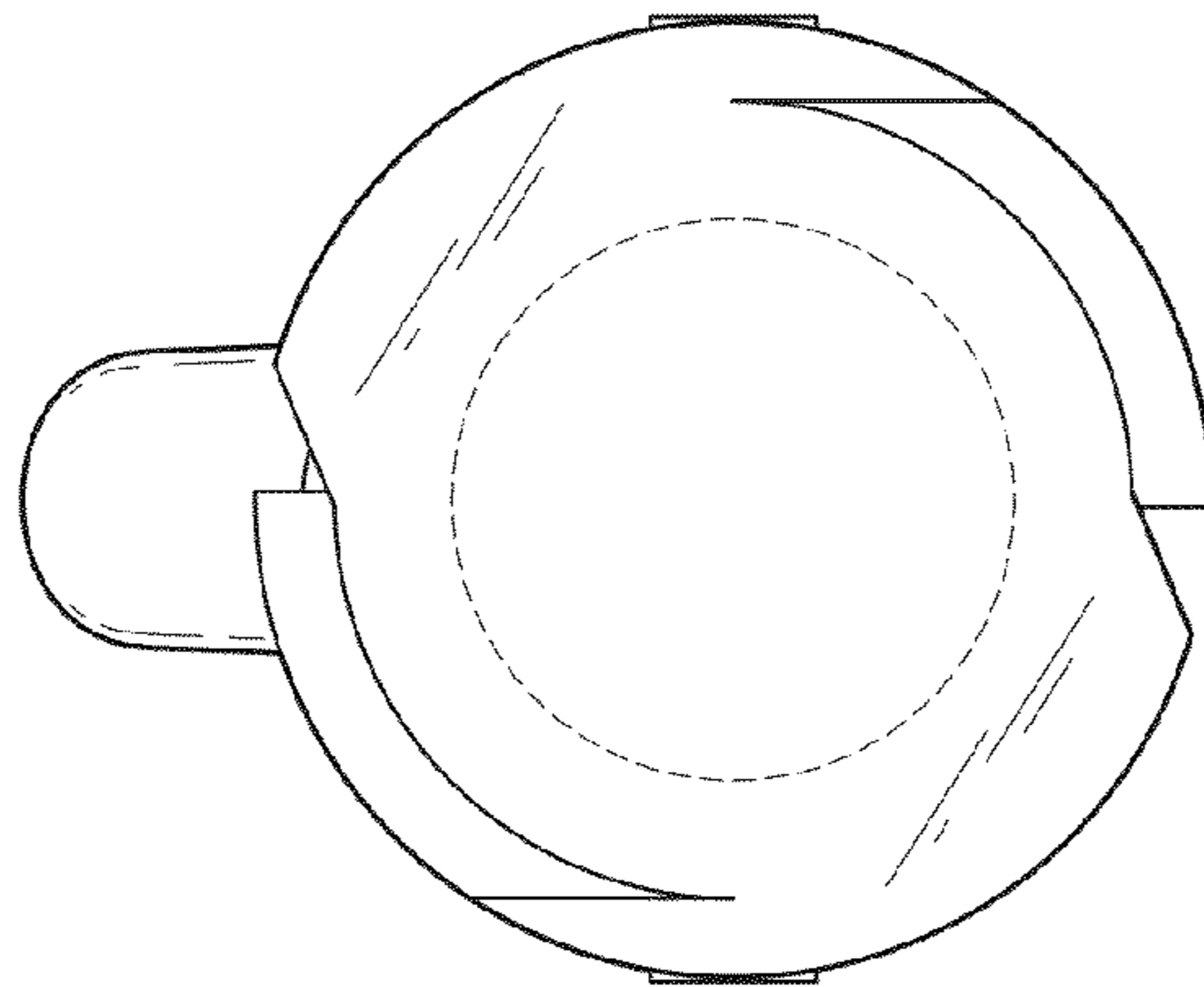


FIG. 2

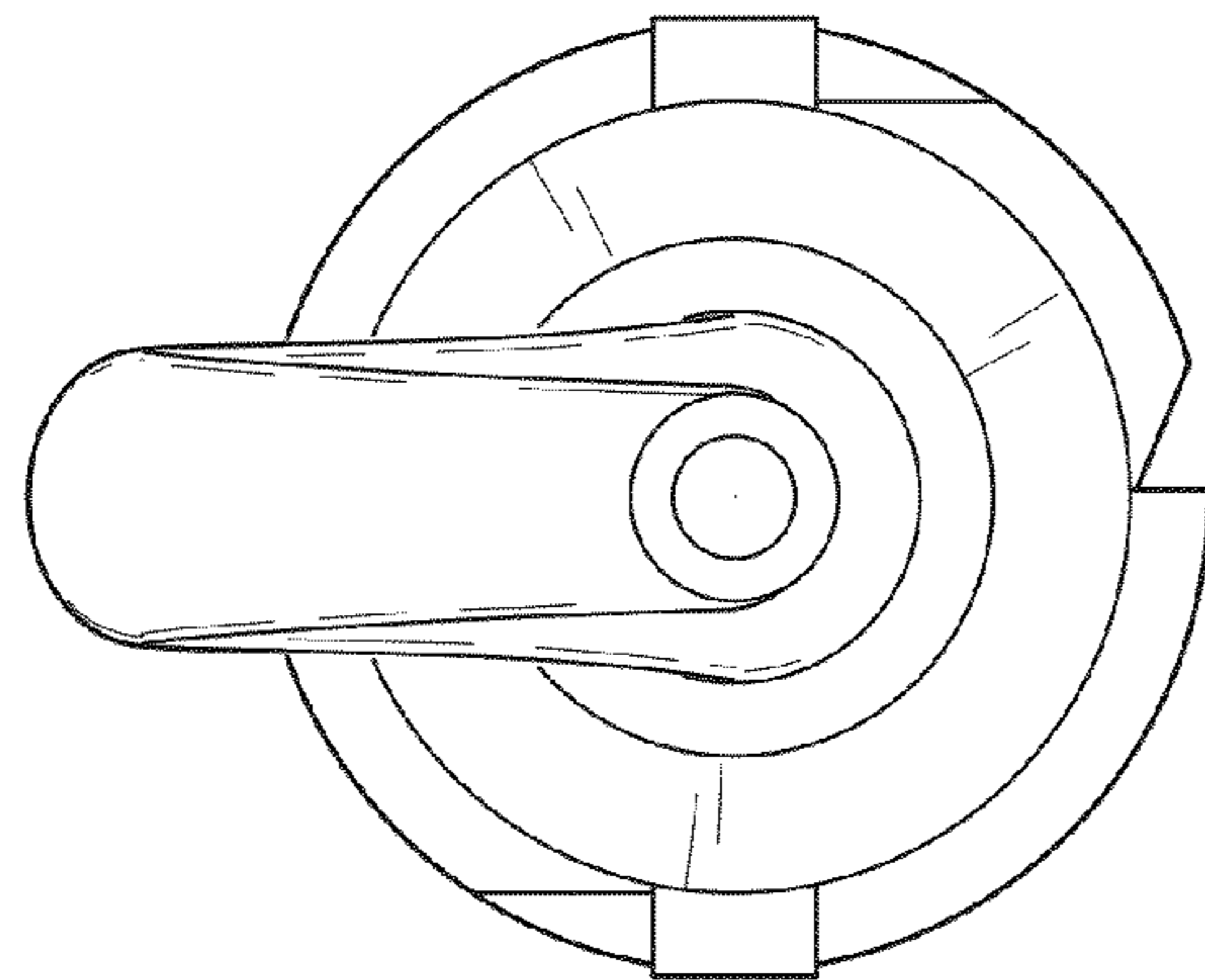


FIG. 3

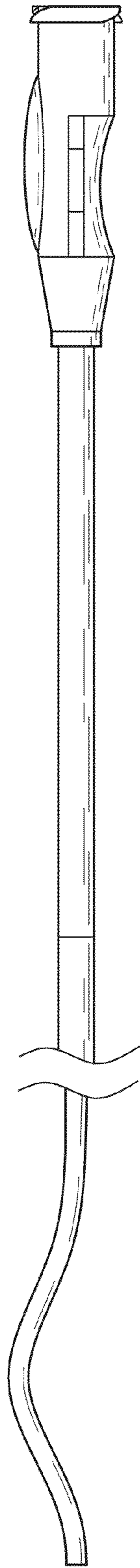


FIG. 4

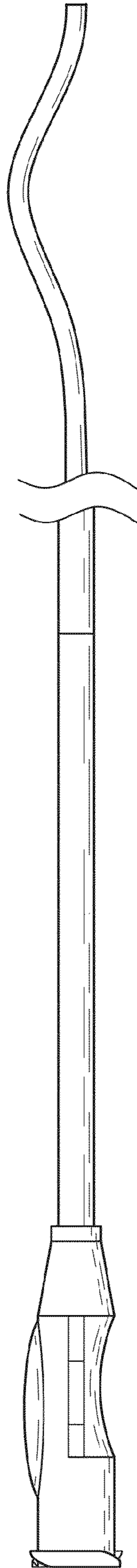


FIG. 5

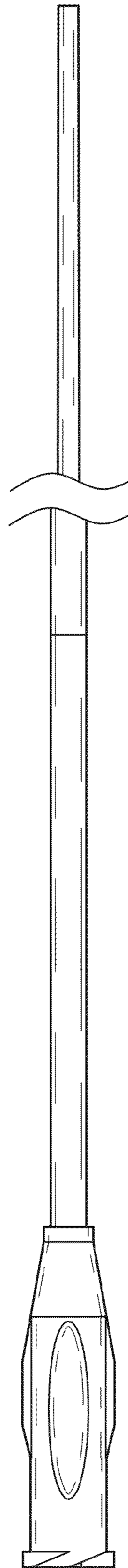


FIG. 6

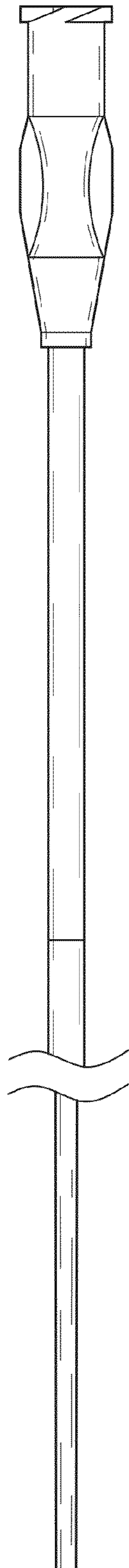


FIG. 7



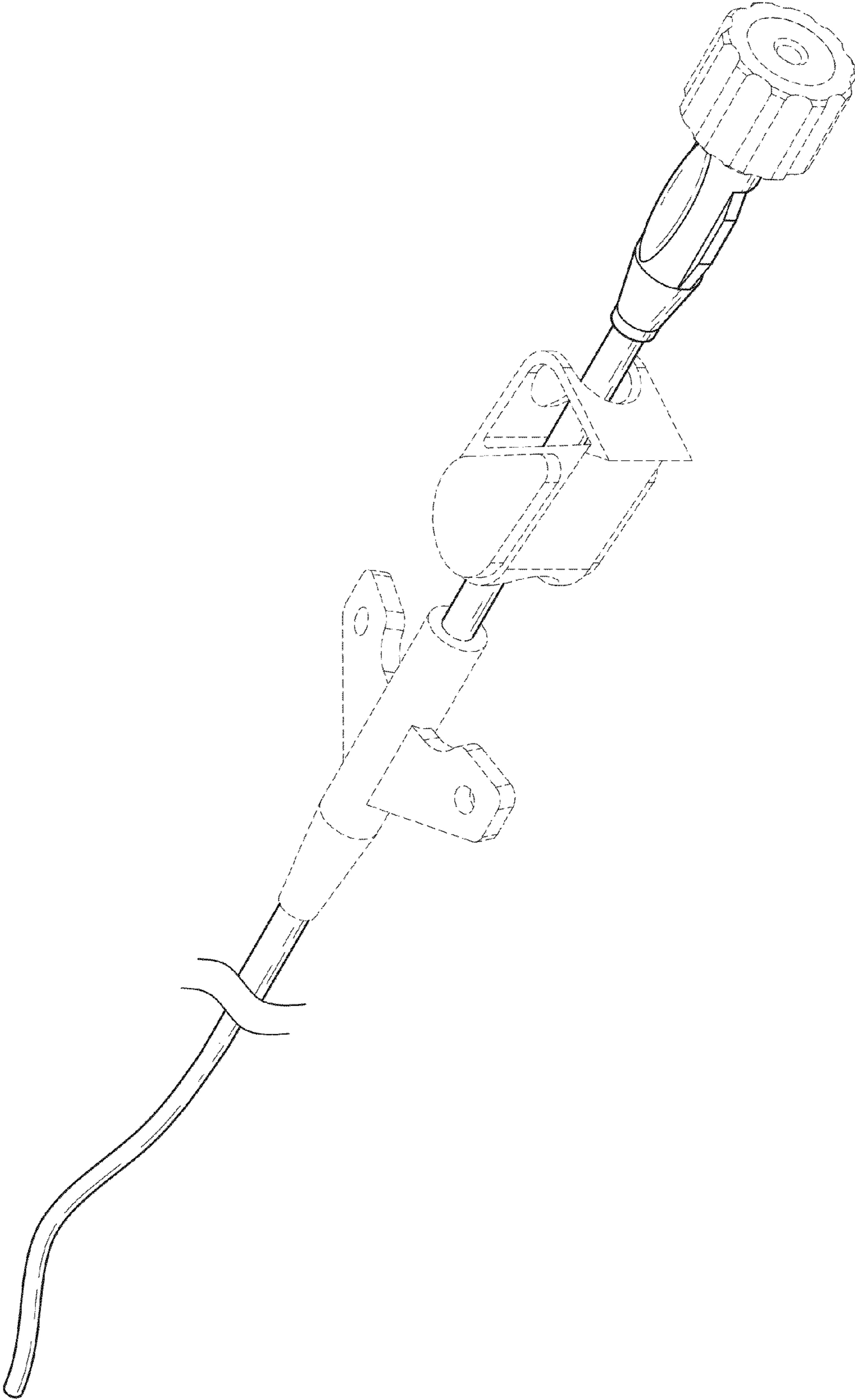


FIG. 8