



US00D710493S

(12) **United States Design Patent**
Wu

(10) **Patent No.:** **US D710,493 S**
(45) **Date of Patent:** **** Aug. 5, 2014**

(54) **RESPIRATOR**

(71) Applicant: **Tecmen Electronics Co., Ltd.**, Nanjing (CN)

(72) Inventor: **Ziqian Wu**, Nanjing (CN)

(73) Assignee: **Tecmen Electronics Co., Ltd.**, Nanjing (CN)

(**) Term: **14 Years**

(21) Appl. No.: **29/456,940**

(22) Filed: **Jun. 5, 2013**

(51) **LOC (10) Cl.** **29-02**

(52) **U.S. Cl.**
USPC **D24/110**

(58) **Field of Classification Search**
USPC D29/100, 108, 122; D24/110, 107, 108, D24/121; 128/200.11, 200.12, 200.13, 128/200.24, 200.25, 200.26, 203.12, 128/203.13, 203.15, 203.16, 203.17, 128/203.18, 203.19, 203.22, 205.13, 128/207.14, 207.18

See application file for complete search history.

(56) **References Cited**

U.S. PATENT DOCUMENTS

D467,335 S *	12/2002	Lithgow et al.	D24/110
D468,011 S *	12/2002	Lithgow et al.	D24/110
D477,868 S *	7/2003	Lithgow et al.	D24/110
D483,859 S *	12/2003	Omholt	D24/110
D487,311 S *	3/2004	Lithgow et al.	D24/110
D497,203 S *	10/2004	Lithgow et al.	D24/110
D544,598 S *	6/2007	Lithgow et al.	D24/110
D549,321 S *	8/2007	Snow et al.	D24/110
D560,795 S *	1/2008	Lithgow et al.	D24/110
D561,330 S *	2/2008	Richards et al.	D24/110
D585,540 S *	1/2009	Lithgow et al.	D24/110
D604,830 S *	11/2009	Lithgow et al.	D24/110
D620,102 S *	7/2010	Klien et al.	D24/110

D626,642 S *	11/2010	Virr et al.	D23/356
D627,044 S *	11/2010	Virr et al.	D23/356
D637,710 S *	5/2011	Huh	D24/110
D658,283 S *	4/2012	Burz et al.	D24/110
D659,235 S *	5/2012	Bertinetti et al.	D24/110
D671,206 S *	11/2012	McGarrity et al.	D24/110
D675,730 S *	2/2013	Lithgow et al.	D24/110
D679,801 S *	4/2013	Abel et al.	D24/110
RE44,453 E *	8/2013	Virr et al.	128/203.27
2007/0193582 A1 *	8/2007	Kwok et al.	128/204.18
2008/0072900 A1 *	3/2008	Kenyon et al.	128/204.18
2009/0223514 A1 *	9/2009	Smith et al.	128/203.14
2009/0314295 A1 *	12/2009	Hatmaker	128/205.12
2010/0147301 A1 *	6/2010	Kwok	128/204.21
2011/0023877 A1 *	2/2011	Kenyon et al.	128/203.26
2011/0180068 A1 *	7/2011	Kenyon et al.	128/203.26

* cited by examiner

Primary Examiner — Elizabeth J Oswecki

(74) *Attorney, Agent, or Firm* — Leydig, Voit & Mayer, Ltd.

(57) **CLAIM**

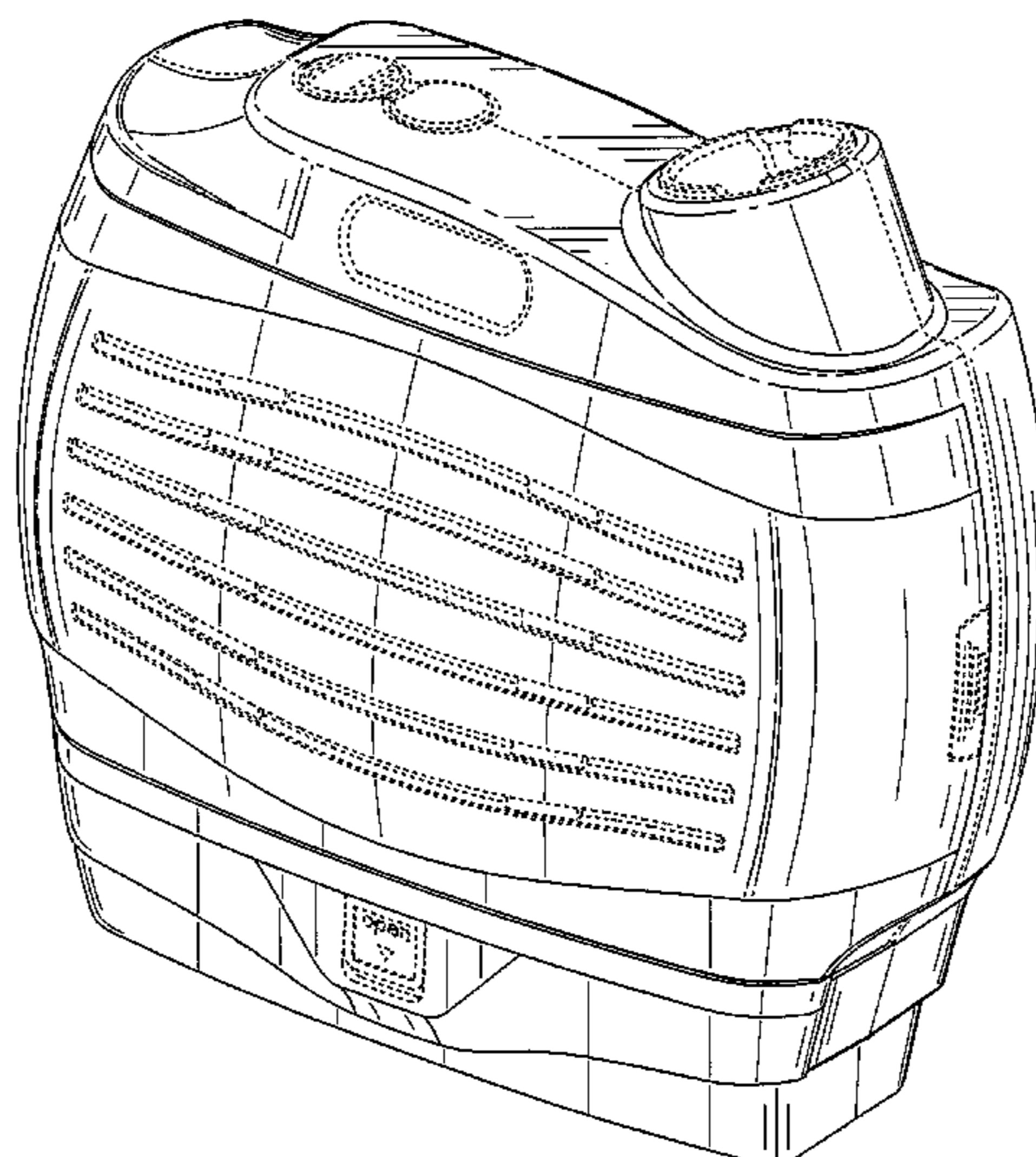
The ornamental design for a respirator, as shown and described.

DESCRIPTION

FIG. 1 is a top, front, right side perspective view of a respirator showing my new design;
FIG. 2 is a top plan view of the respirator shown in FIG. 1;
FIG. 3 is a bottom plan view of the respirator shown in FIG. 1;
FIG. 4 is a front elevational view of the respirator shown in FIG. 1;
FIG. 5 is a rear elevational view of the respirator shown in FIG. 1;
FIG. 6 is a left elevational side view of the respirator shown in FIG. 1; and,
FIG. 7 is a right elevational side view of the respirator shown in FIG. 1.

The broken lines shown in the drawings represent portions of the respirator that form no part of the claimed design.

1 Claim, 7 Drawing Sheets



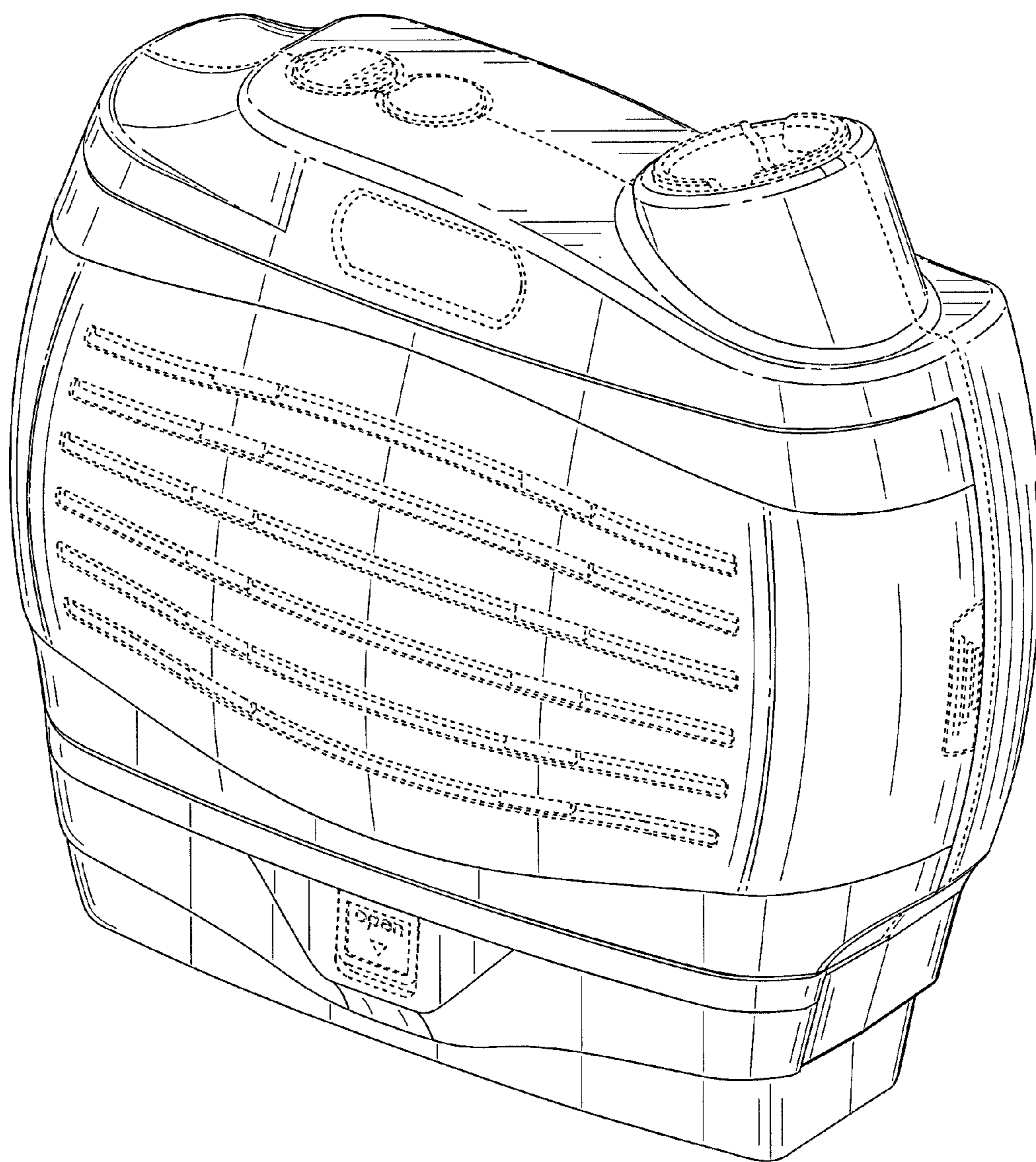


FIG. 1

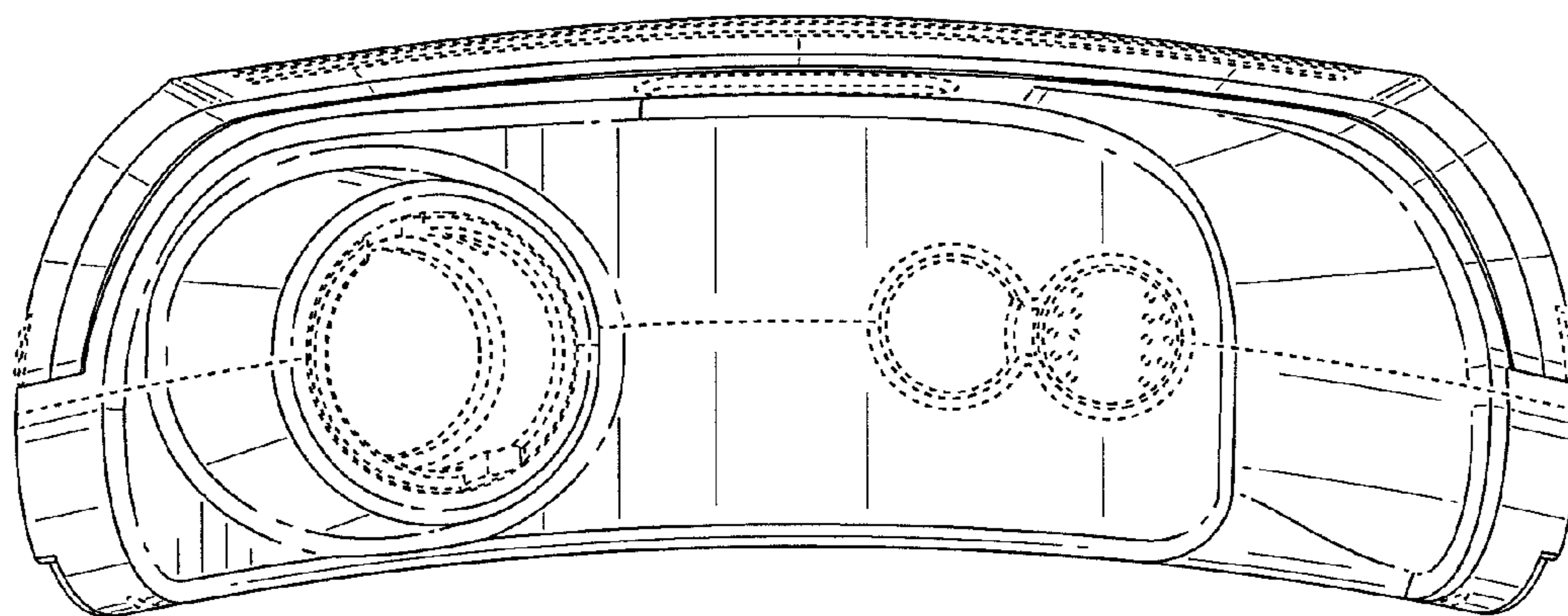


FIG. 2

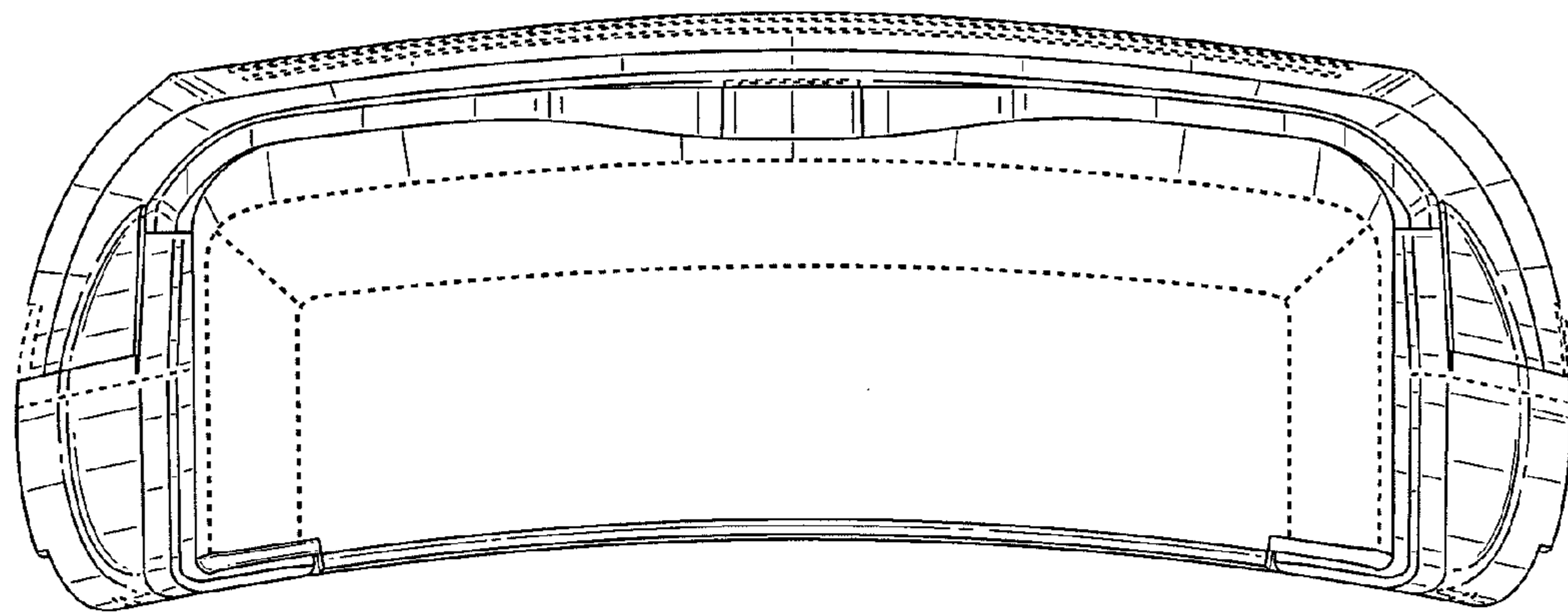


FIG. 3

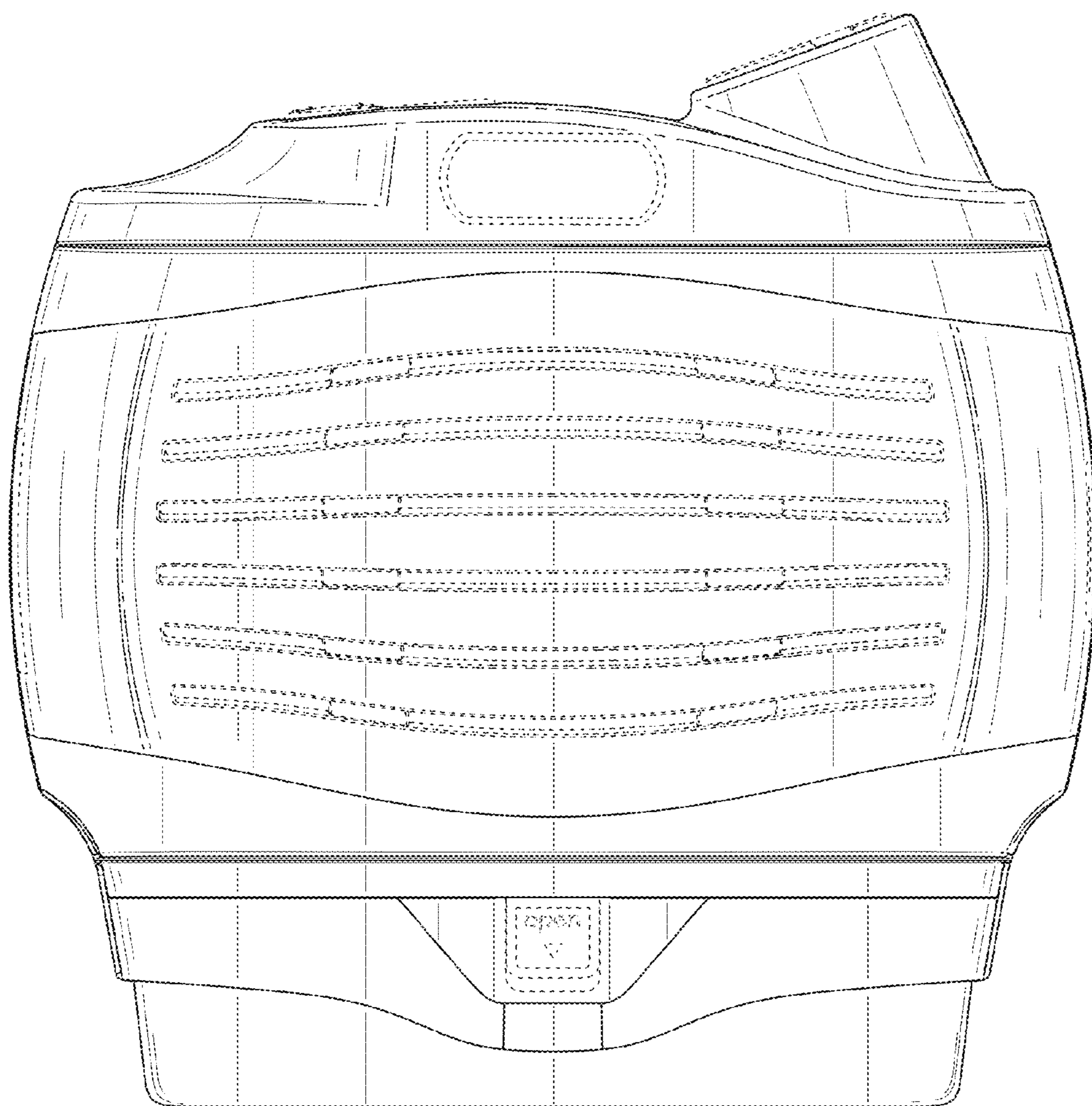


FIG. 4

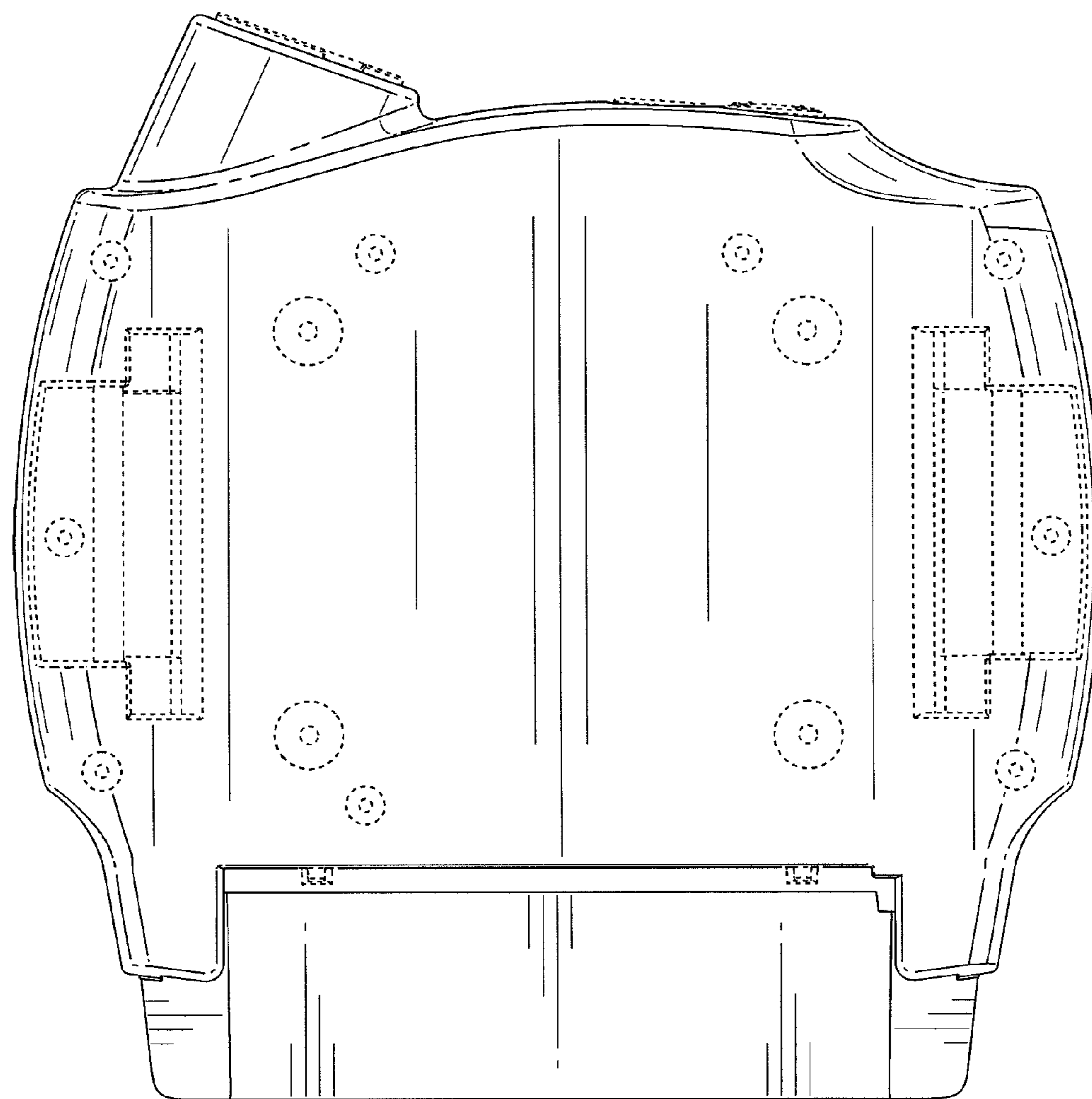


FIG. 5

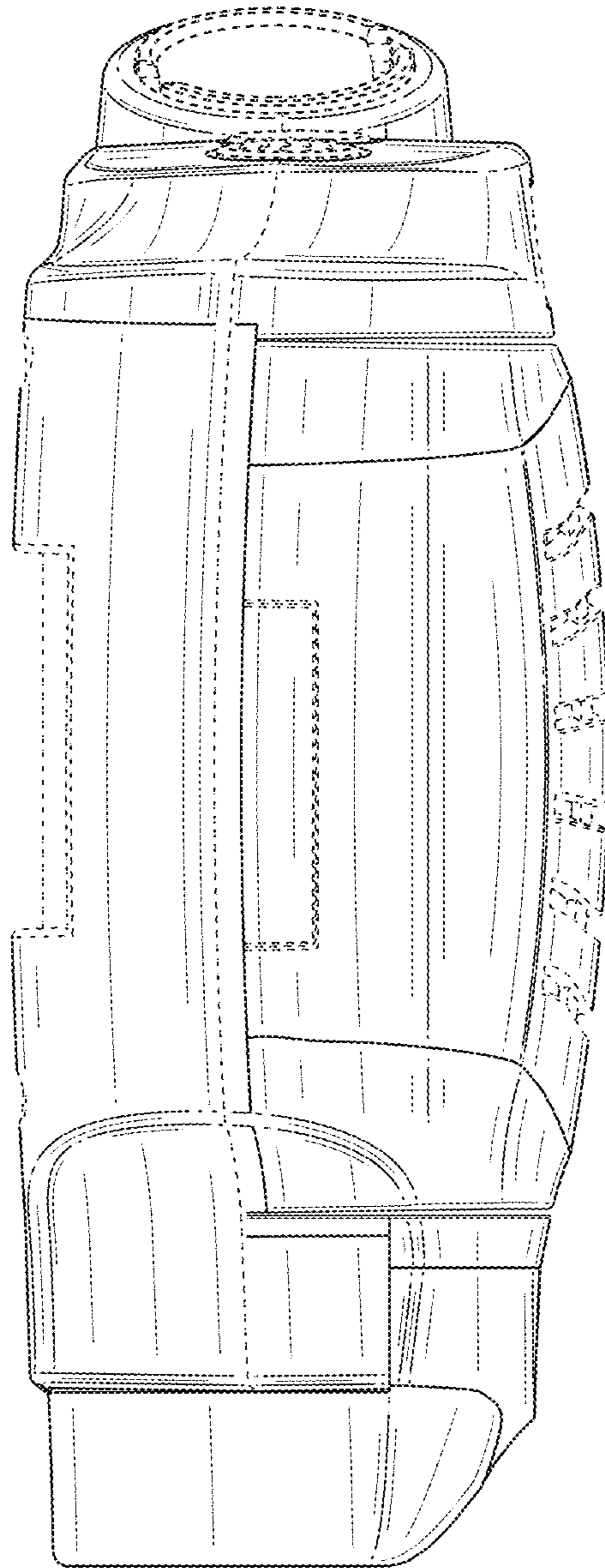


FIG. 6

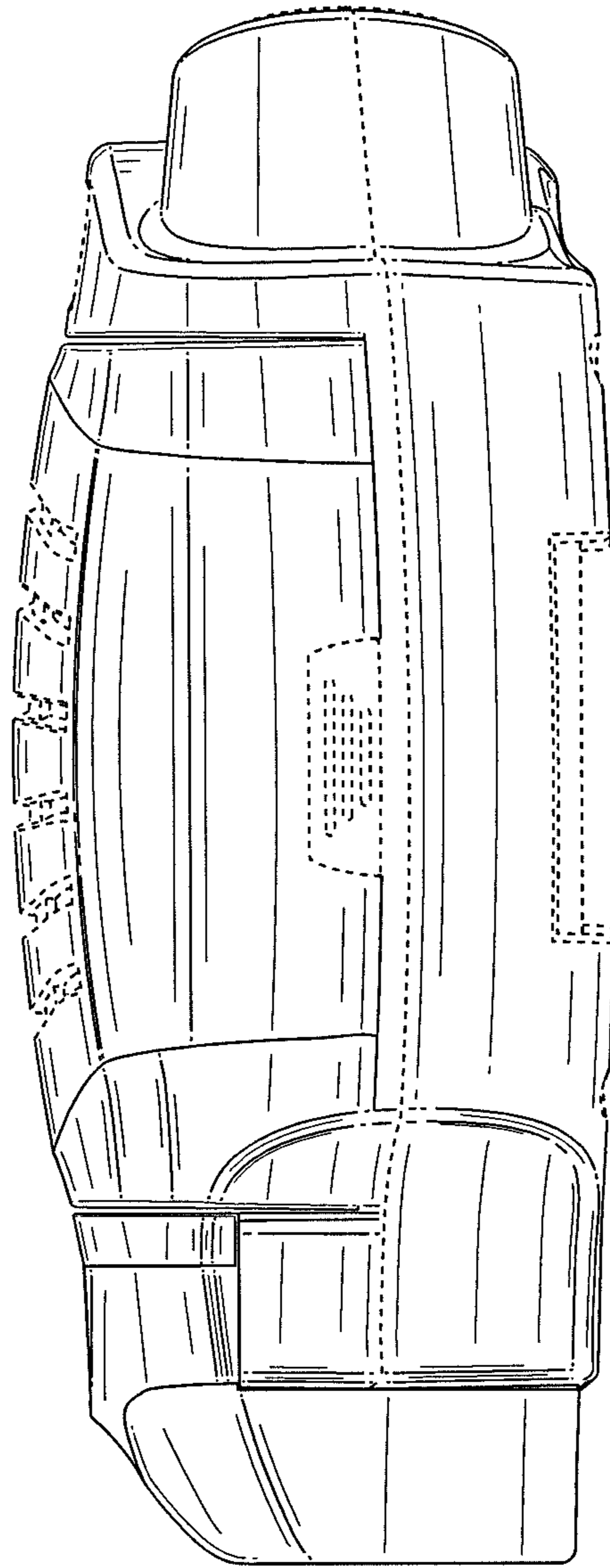


FIG. 7