



US00D710492S

(12) **United States Design Patent**
Byrne et al.

(10) **Patent No.:** **US D710,492 S**
(45) **Date of Patent:** **** Aug. 5, 2014**

- (54) **SINGLE SCREW BLADE ARM**
- (71) Applicants: **Brendan Byrne**, Germantown, TN (US);
James Burns, Memphis, TN (US)
- (72) Inventors: **Brendan Byrne**, Germantown, TN (US);
James Burns, Memphis, TN (US)
- (73) Assignee: **Palm Coast Imports, LLC**,
Germantown, TN (US)
- (**) Term: **14 Years**
- (21) Appl. No.: **29/447,241**
- (22) Filed: **Mar. 1, 2013**
- (51) **LOC (10) Cl.** **23-04**
- (52) **U.S. Cl.**
USPC **D23/411**
- (58) **Field of Classification Search**
CPC F04D 25/088; F04D 29/34; F04D 29/322;
F04D 29/384; F01D 5/323; F01D 5/30;
F01D 25/28; F05D 2250/70; F05D 2240/80;
F24F 2221/14; B63H 1/20; F21V 21/104;
F21V 33/0096
USPC D23/411-414, 324, 331, 343, 385,
D23/370-384, 387, 499; D8/323, 327, 349,
D8/354, 373, 380-387, 394, 397, 398;
416/5, 170 R, 214 R, 184, 206, 207,
416/210 R, 220 R, 244 R, 248; 392/364
See application file for complete search history.

- (56) **References Cited**
U.S. PATENT DOCUMENTS
3,549,184 A 12/1970 Anderson
4,186,952 A 2/1980 Glass
(Continued)

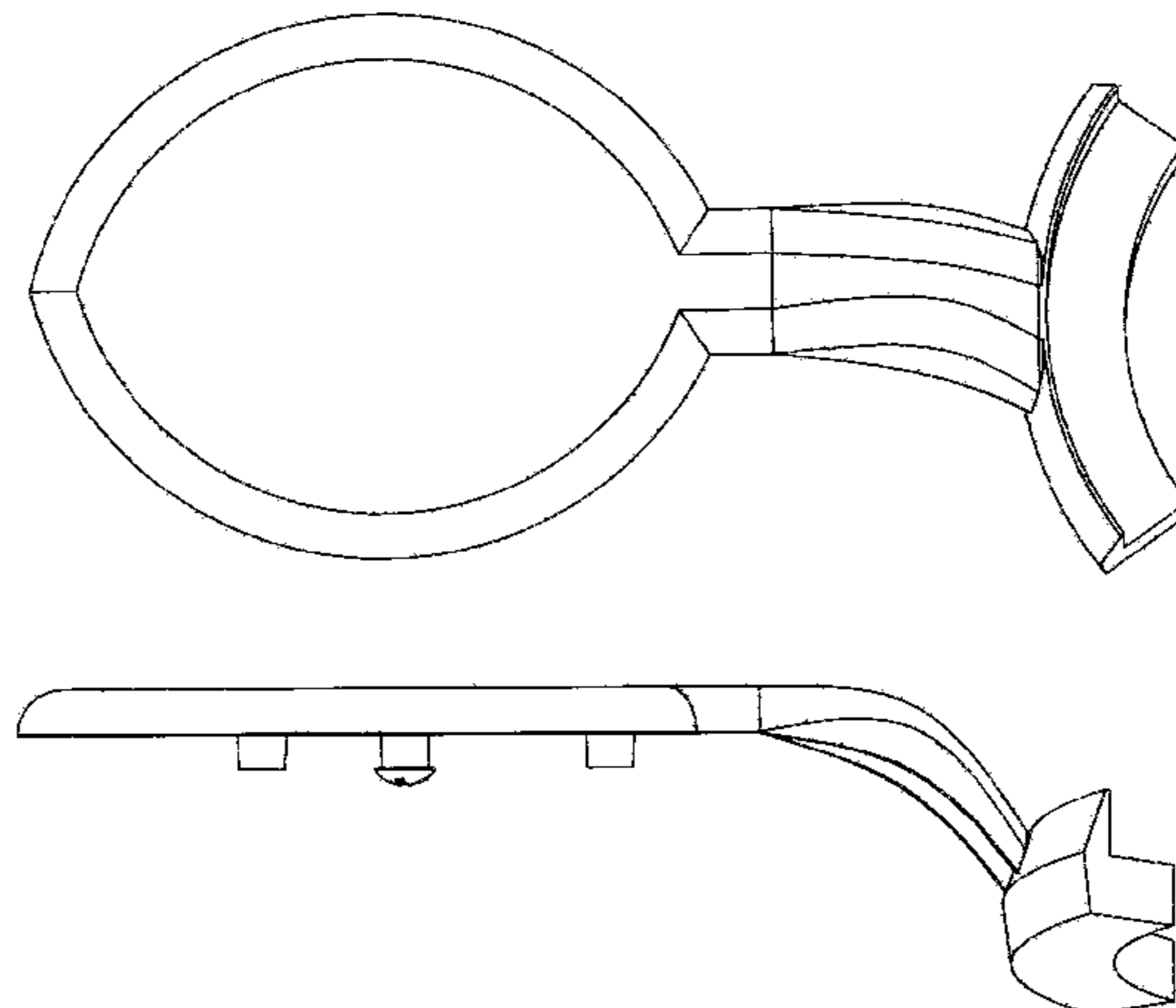
Primary Examiner — Susan Bennett Hattan
Assistant Examiner — Marie Fast Horse

(57) **CLAIM**
The ornamental design for a single screw blade arm, as shown and described.

DESCRIPTION

FIG. 1 is a plan view of a single screw blade arm having two outward facing posts and one inward post with fan blade. FIG. 2 is a top right perspective view of the arm of FIG. 1. FIG. 3 is a top left perspective view of the arm of FIG. 1. FIG. 4 is a top view of the arm of FIG. 1. FIG. 5 is a bottom view of the arm of FIG. 1. FIG. 6 is an upside down side view the arm of FIG. 1. FIG. 7 is a side view of the arm of FIG. 1. FIG. 8 is a root end view of the arm of FIG. 1. FIG. 9 is a tip of the arm of FIG. 1. FIG. 10 is a top right perspective view of a single screw blade arm with two inward facing posts and one outward post. FIG. 11 is a top left perspective view of the arm of FIG. 10. FIG. 12 is a top view of the arm of FIG. 10. FIG. 13 is a bottom view of the arm of FIG. 10. FIG. 14 is an upside down side view the arm of FIG. 10. FIG. 15 is a side view of the arm of FIG. 10. FIG. 16 is a root end view of the arm of FIG. 10. FIG. 17 is a tip end view of the arm of FIG. 1. FIG. 18 is a top right perspective view of a single screw blade arm with only two inward facing posts. FIG. 19 is a top left perspective view of the arm of FIG. 18. FIG. 20 is a top view of the arm of FIG. 18. FIG. 21 is a bottom view of the arm of FIG. 18. FIG. 22 is an upside down side view of the arm of FIG. 18. FIG. 23 is a side view of the arm of FIG. 18. FIG. 24 is a root end view of the arm of FIG. 18. FIG. 25 is a tip end view of the arm of FIG. 18. FIG. 26 is a top right perspective view of a single screw blade arm with only two outward facing posts. FIG. 27 is a top left perspective view of the arm of FIG. 26. FIG. 28 is a top view of the arm of FIG. 26. FIG. 29 is a bottom view of the arm of FIG. 26. FIG. 30 is an upside down side view of the arm of FIG. 26. FIG. 31 is a side view of the arm of FIG. 26. FIG. 32 is a root end view of the arm of FIG. 26; and, FIG. 33 is a tip end view of the arm of FIG. 26. The broken lines in FIG. 1 depict environmental subject matter and form no part of the claimed design.

1 Claim, 17 Drawing Sheets



(56)

References Cited

U.S. PATENT DOCUMENTS

4,331,413	A	5/1982	Hoen	
4,420,859	A	12/1983	Hammerle	
D382,955	S *	8/1997	Liu	D23/411
6,155,786	A	12/2000	Blateri	
D441,442	S *	5/2001	Williams	D23/377
6,267,543	B1	7/2001	David	
6,352,409	B1	3/2002	Blateri	
6,371,729	B1	4/2002	Tseng	
D478,382	S *	8/2003	Burns	D23/411
D482,774	S *	11/2003	Stauffer	D23/411
D483,465	S *	12/2003	Tai	D23/377
6,666,652	B2 *	12/2003	Bucher et al.	416/210 R
D485,902	S *	1/2004	Burns	D23/411
6,758,626	B1	7/2004	Tseng	
6,863,499	B2	3/2005	Pearce	
6,932,576	B2	8/2005	Bird	
D531,305	S *	10/2006	Glasbrenner	D23/411
D539,894	S *	4/2007	Bucher	D23/377
7,223,078	B1	5/2007	Mares	
D545,422	S *	6/2007	Glasbrenner	D23/377
D555,779	S *	11/2007	Bucher	D23/377
D556,886	S *	12/2007	Flores	D23/411
D565,168	S *	3/2008	Hidalgo	D23/377
D565,724	S *	4/2008	Hidalgo	D23/411
D568,983	S *	5/2008	Pan	D23/411
D573,245	S *	7/2008	Pan	D23/411
D578,636	S *	10/2008	Pan	D23/411
D594,540	S *	6/2009	Pan	D23/377
D594,543	S *	6/2009	Pan	D23/377
D595,404	S *	6/2009	Pan	D23/411
D597,654	S *	8/2009	Orozco	D23/411
D599,470	S *	9/2009	Searle	D23/411
D626,210	S *	10/2010	Searle	D23/411
D626,213	S *	10/2010	Shurtleff	D23/411
D632,382	S *	2/2011	Pan	D23/377
8,021,119	B2 *	9/2011	Wang	416/206
D649,238	S *	11/2011	Passauer, III	D23/411
8,356,979	B2	1/2013	Haynes	
D681,185	S *	4/2013	Passauer, III	D23/411
2005/0123403	A1 *	6/2005	Tai	416/210 R
2008/0273979	A1 *	11/2008	Bucher et al.	416/210 R
2010/0284813	A1 *	11/2010	Wang	416/206

* cited by examiner

FIG. 1

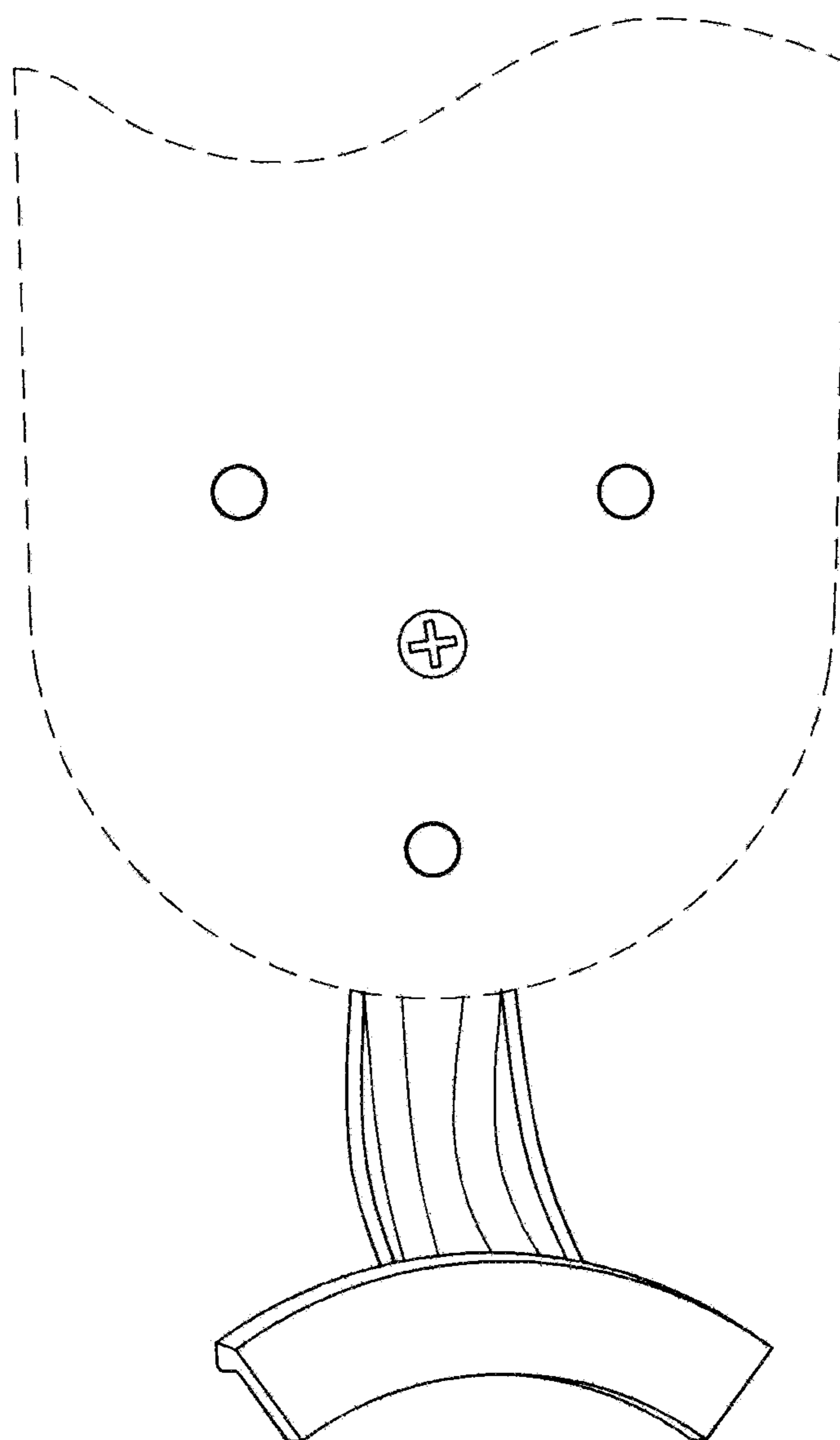


FIG. 2

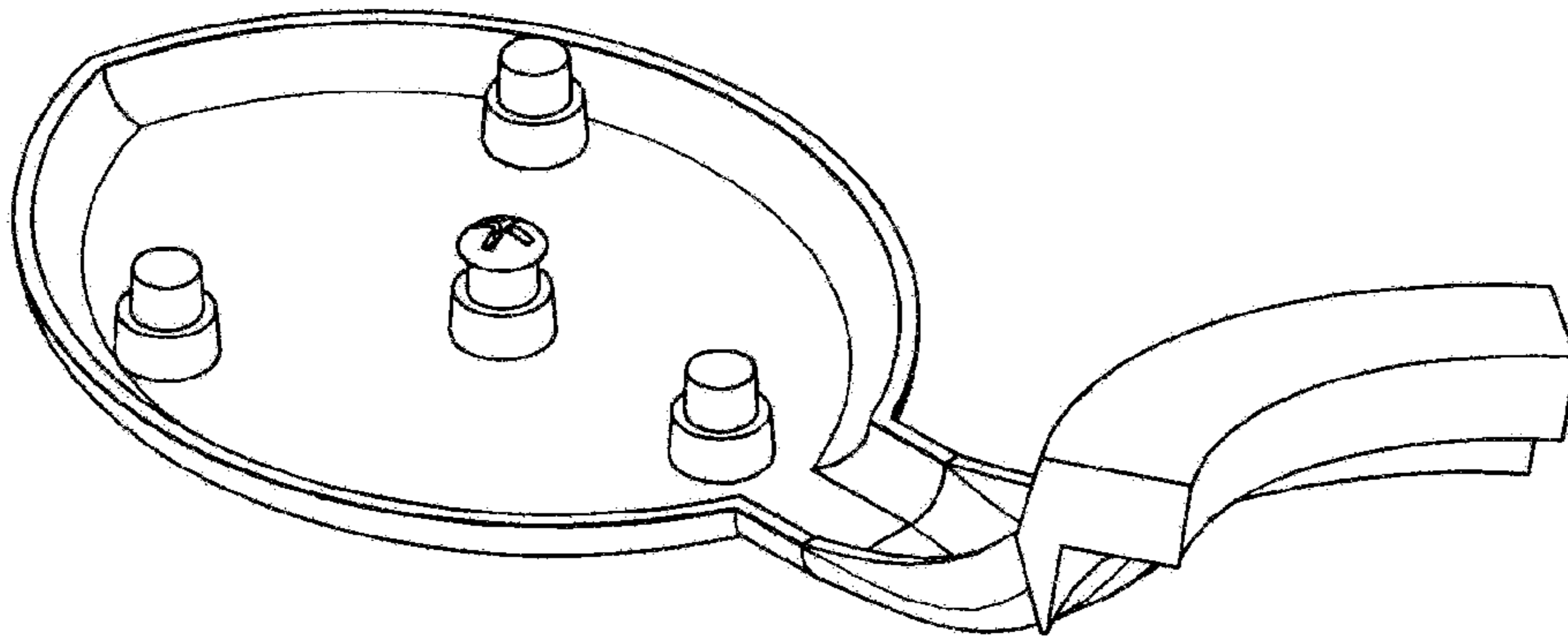


FIG. 3

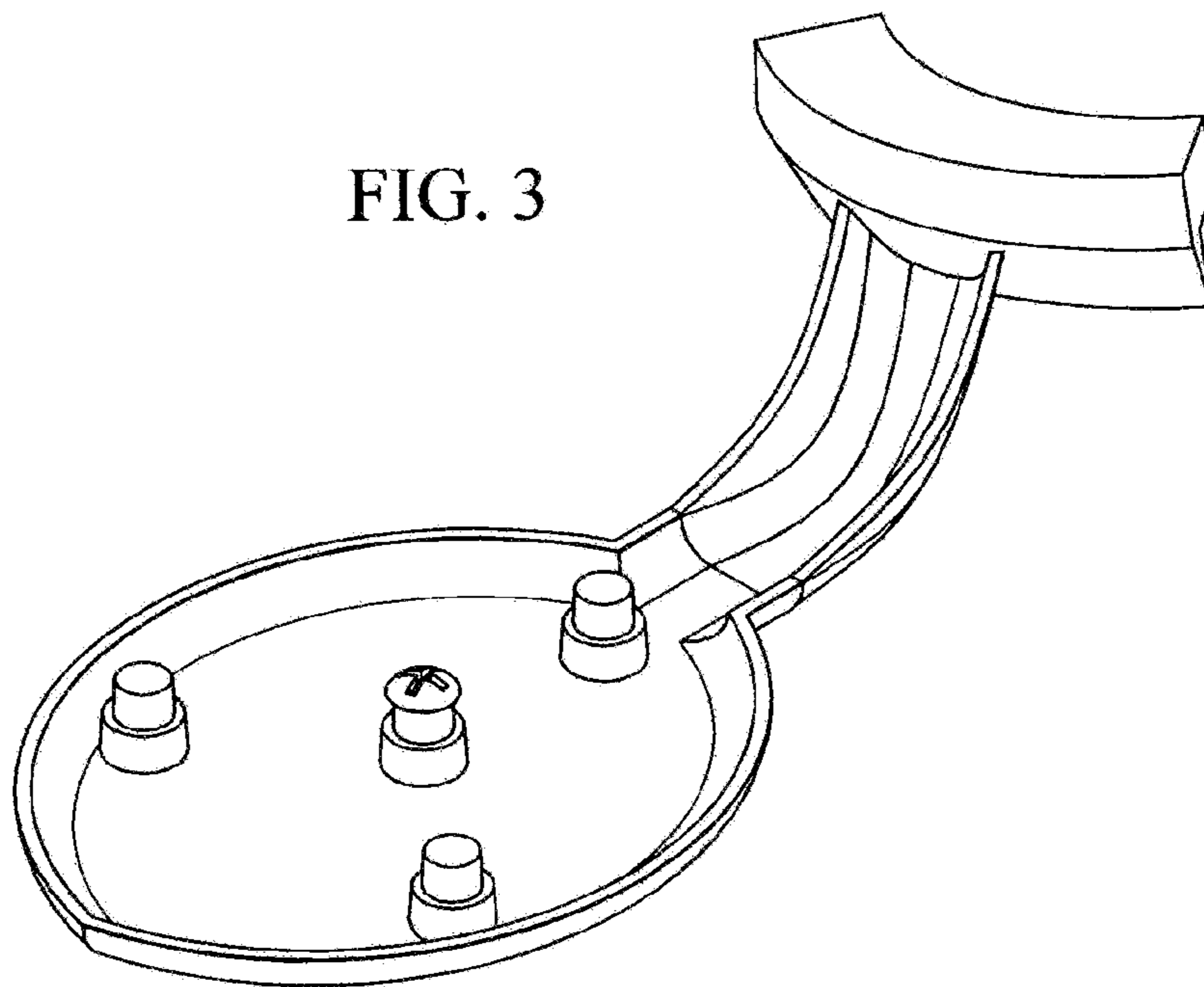


FIG. 4

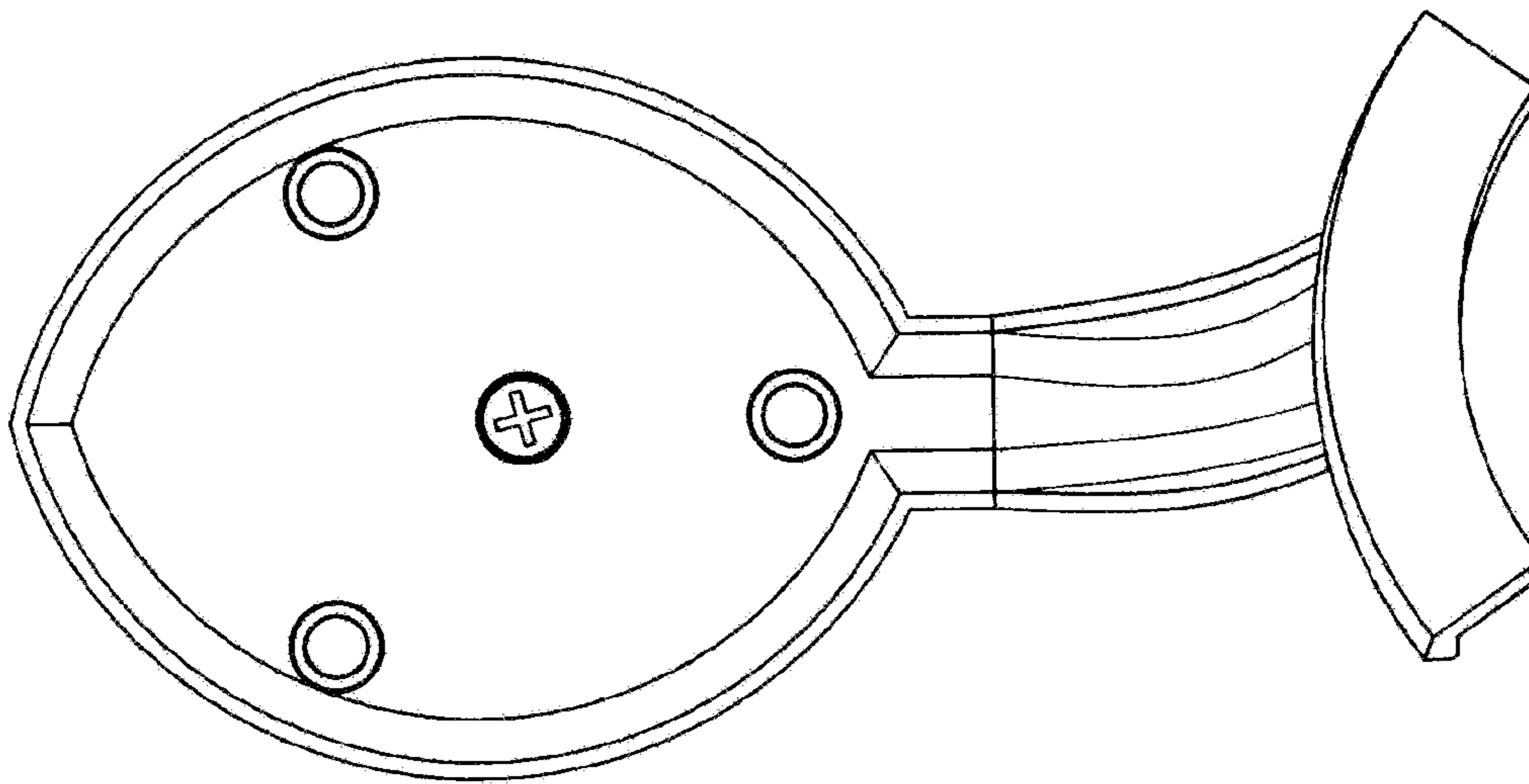


FIG. 5

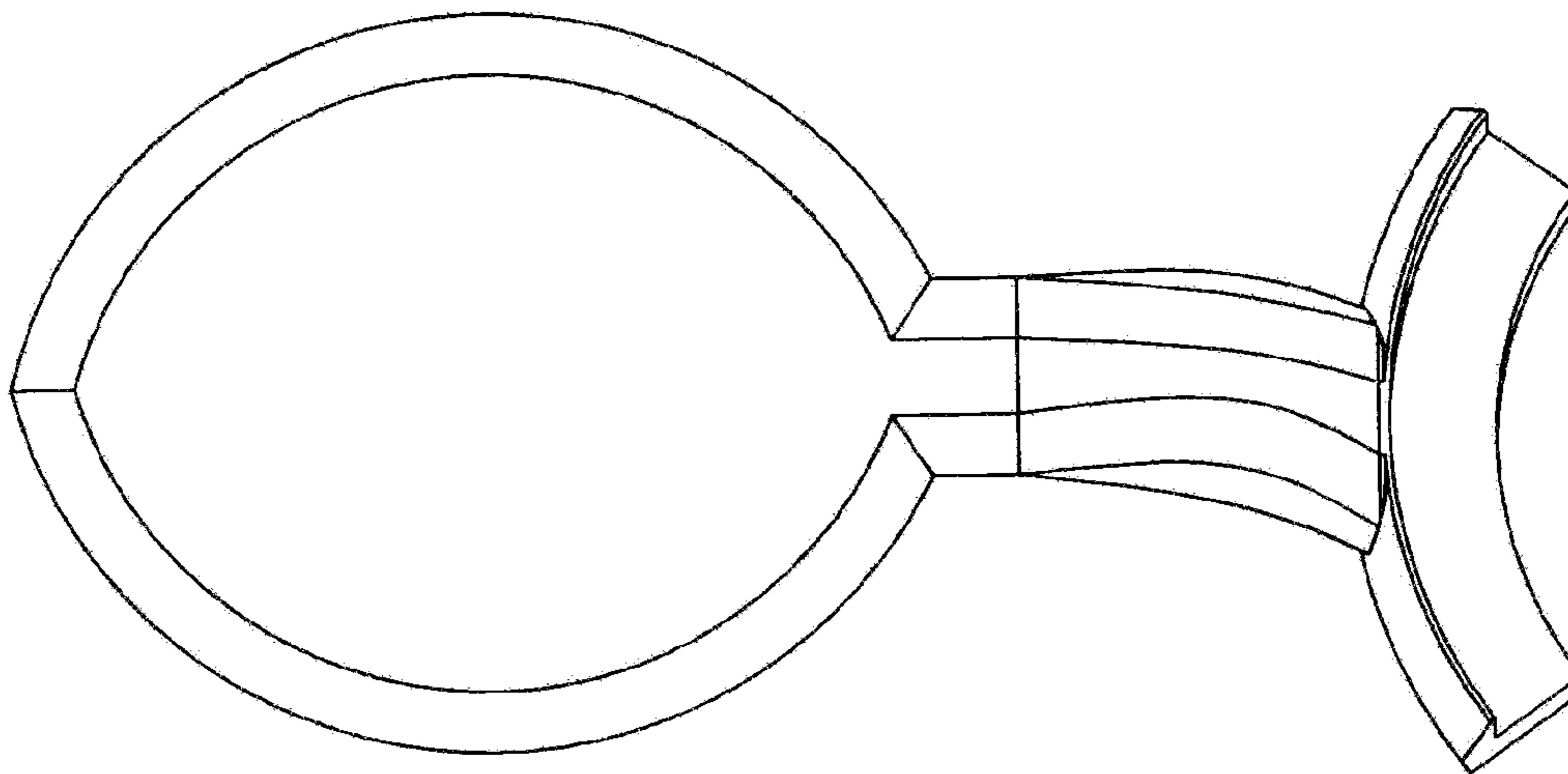


FIG. 6

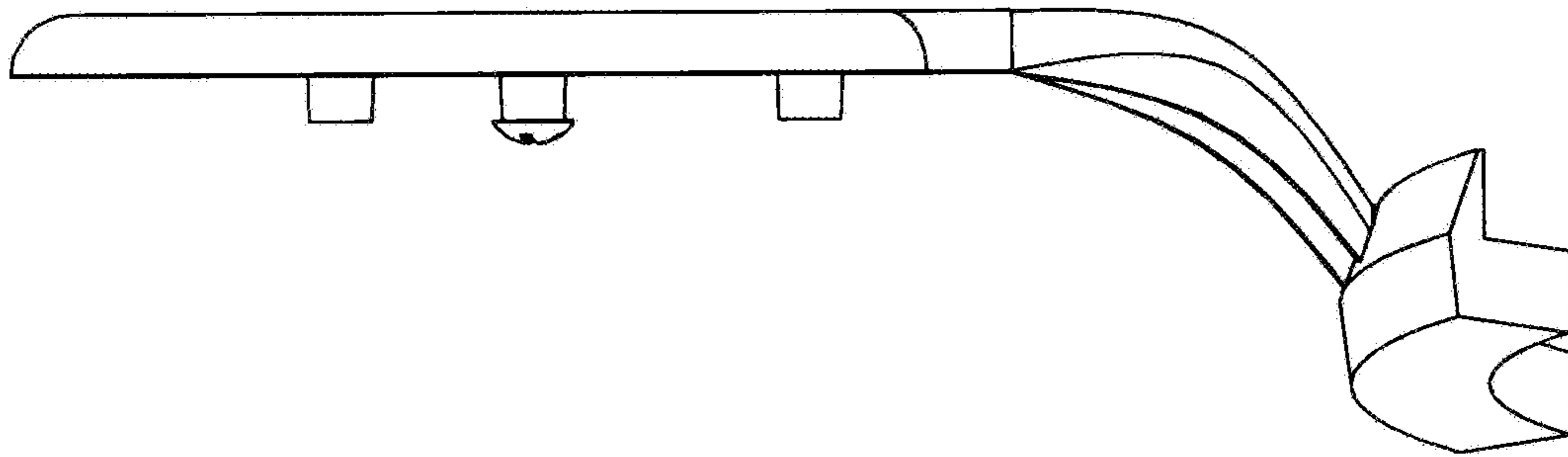


FIG. 7

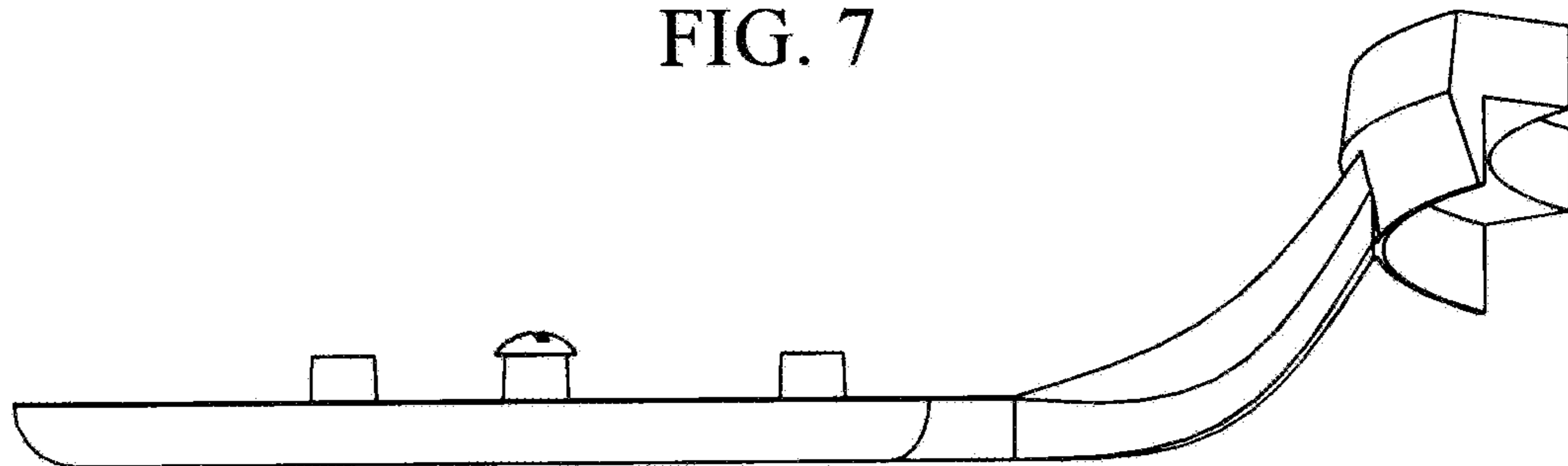


FIG. 8

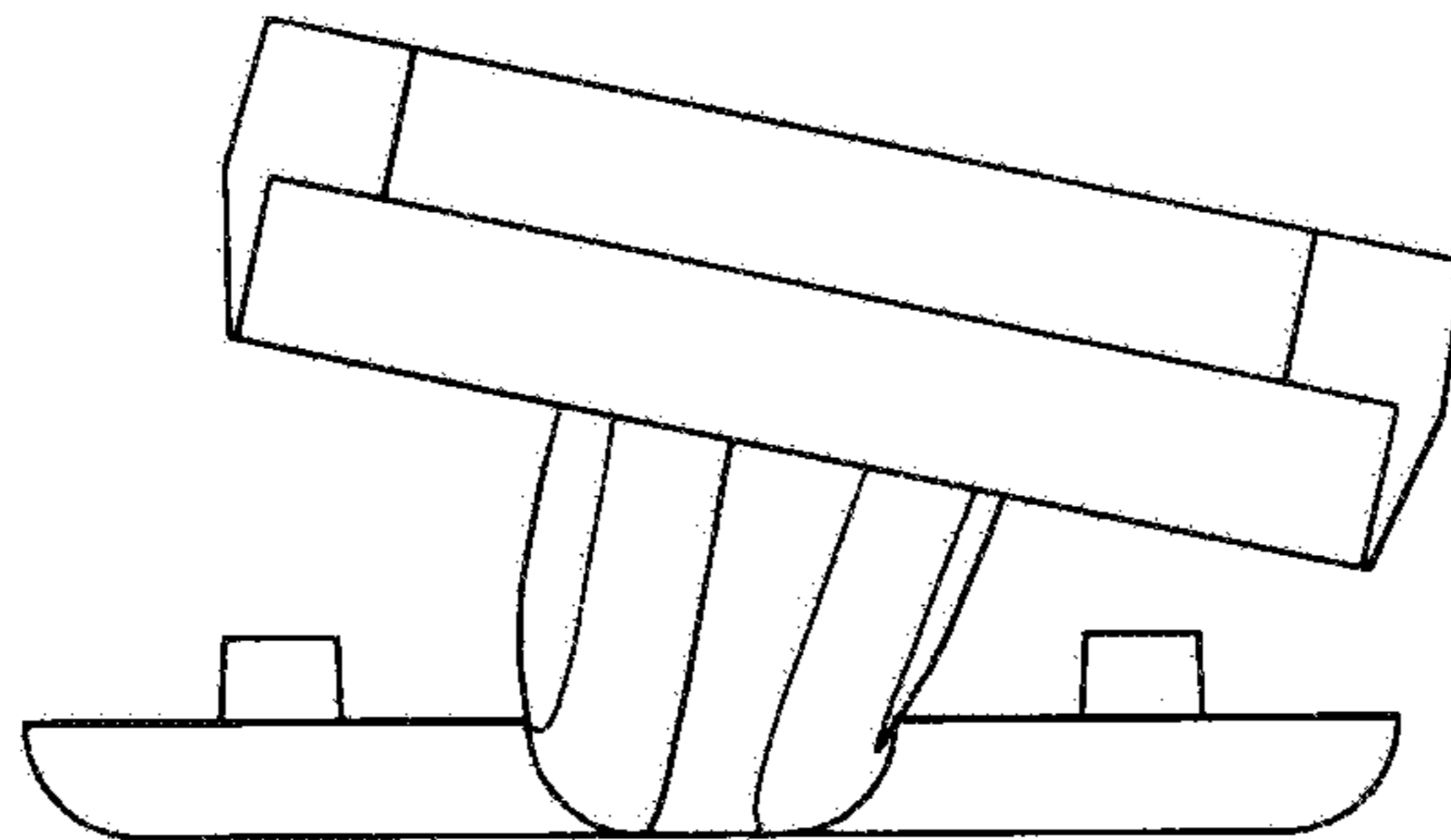


FIG. 9

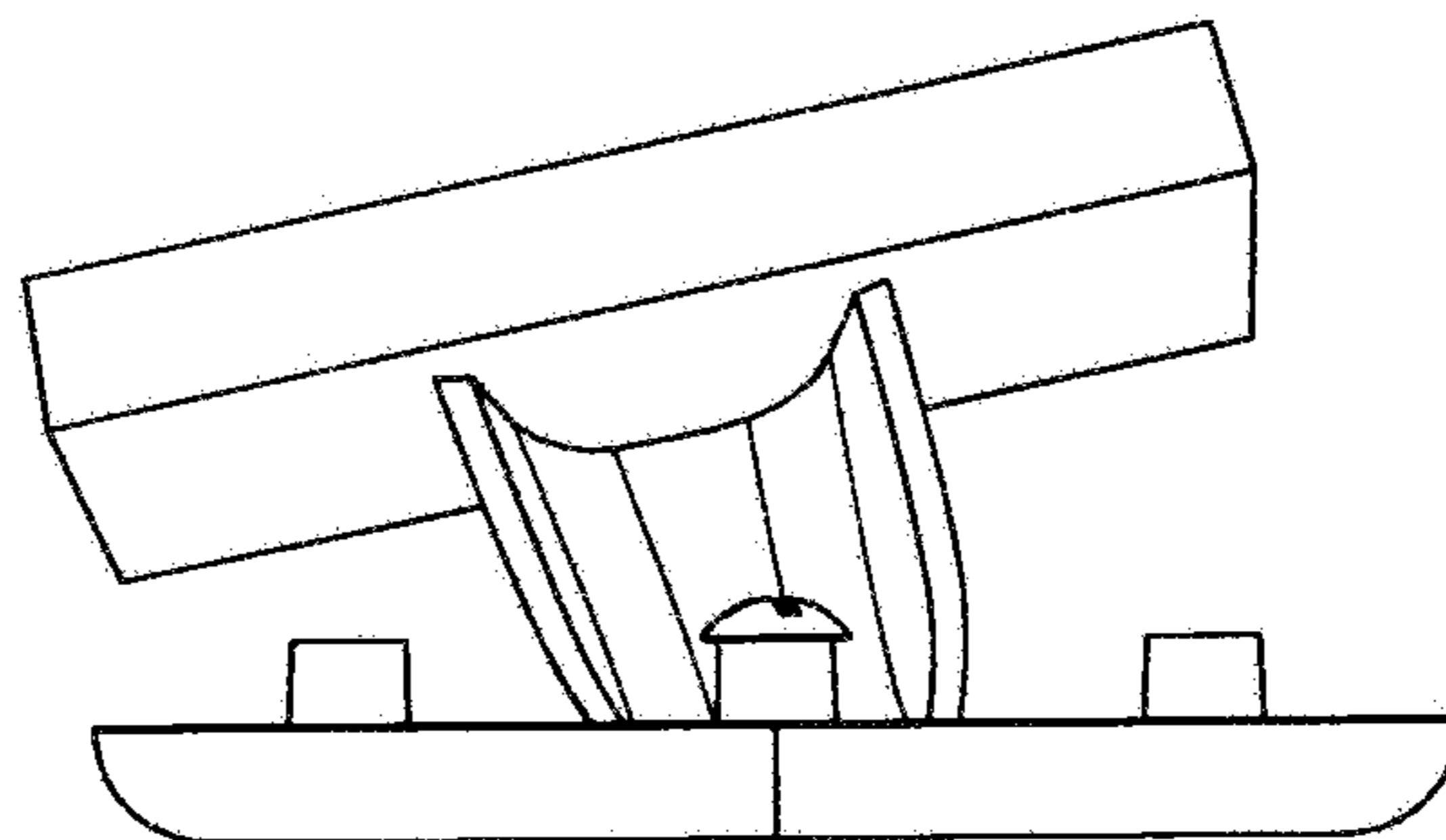


FIG. 10

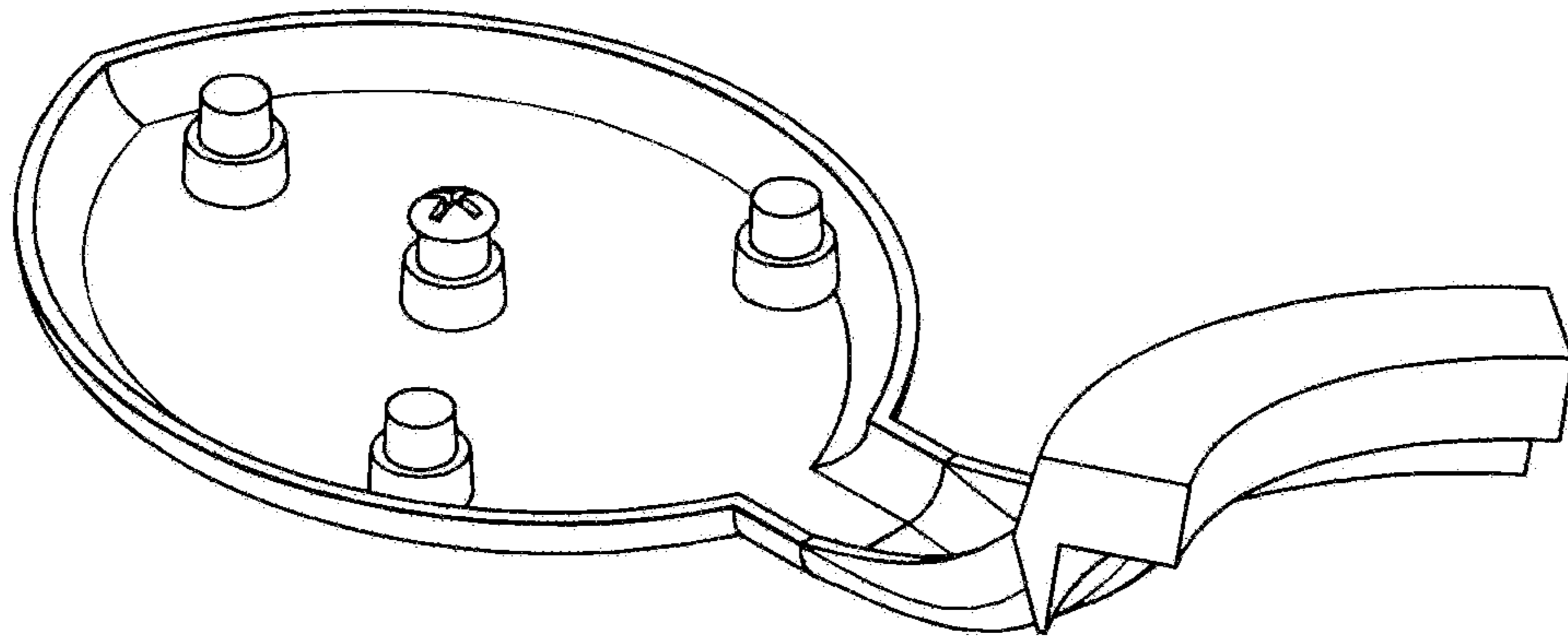


FIG. 11

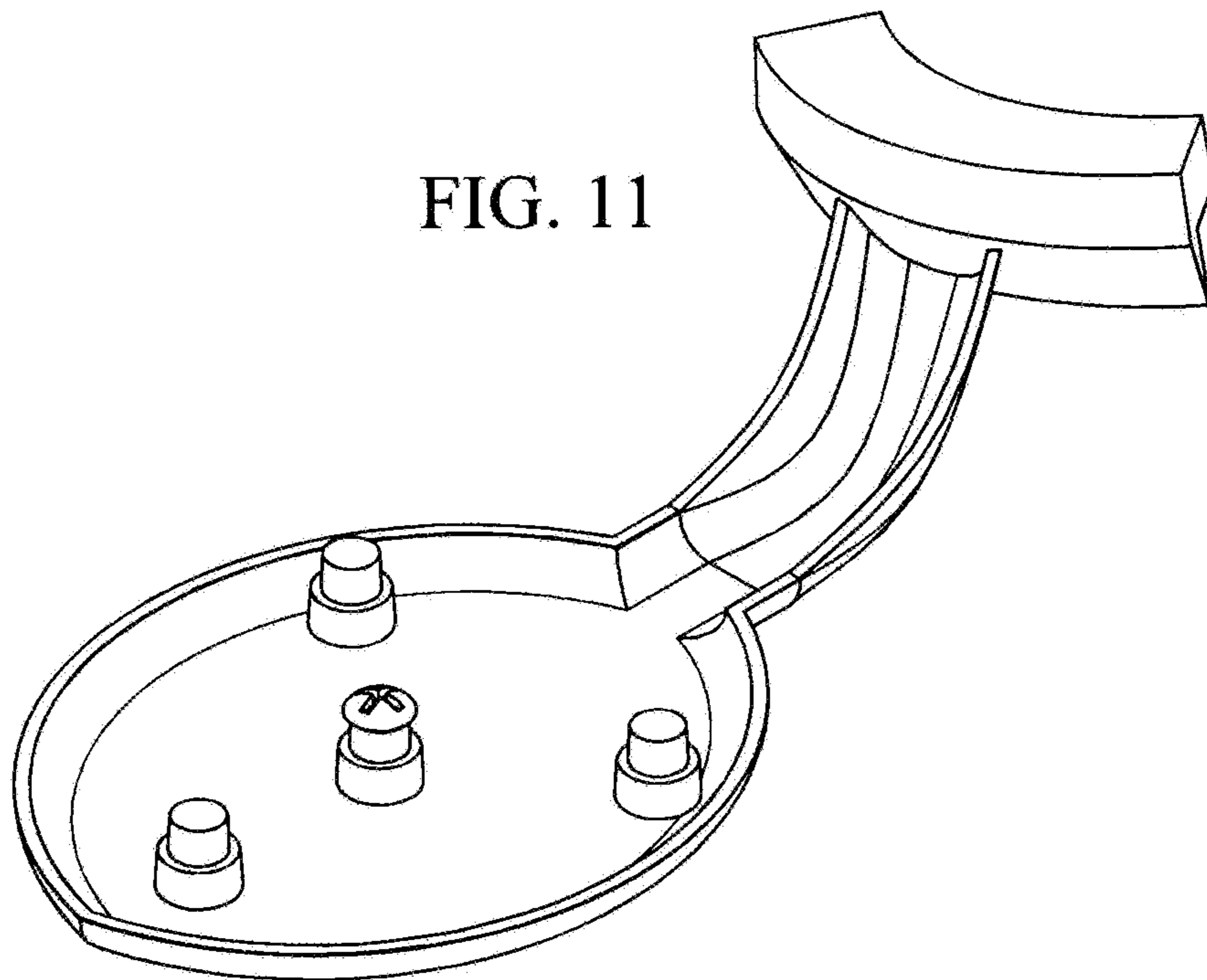


FIG. 12

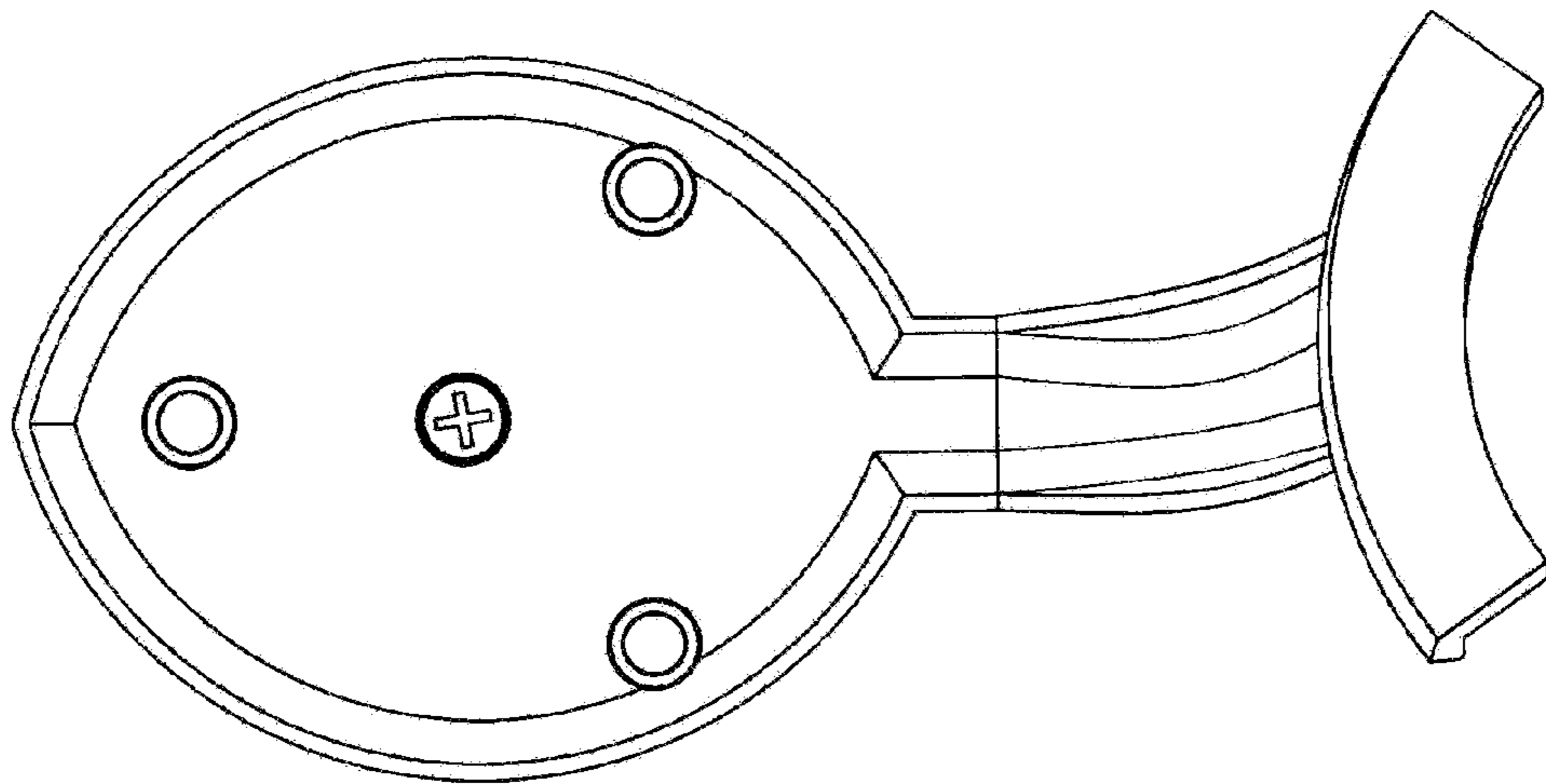


FIG. 13

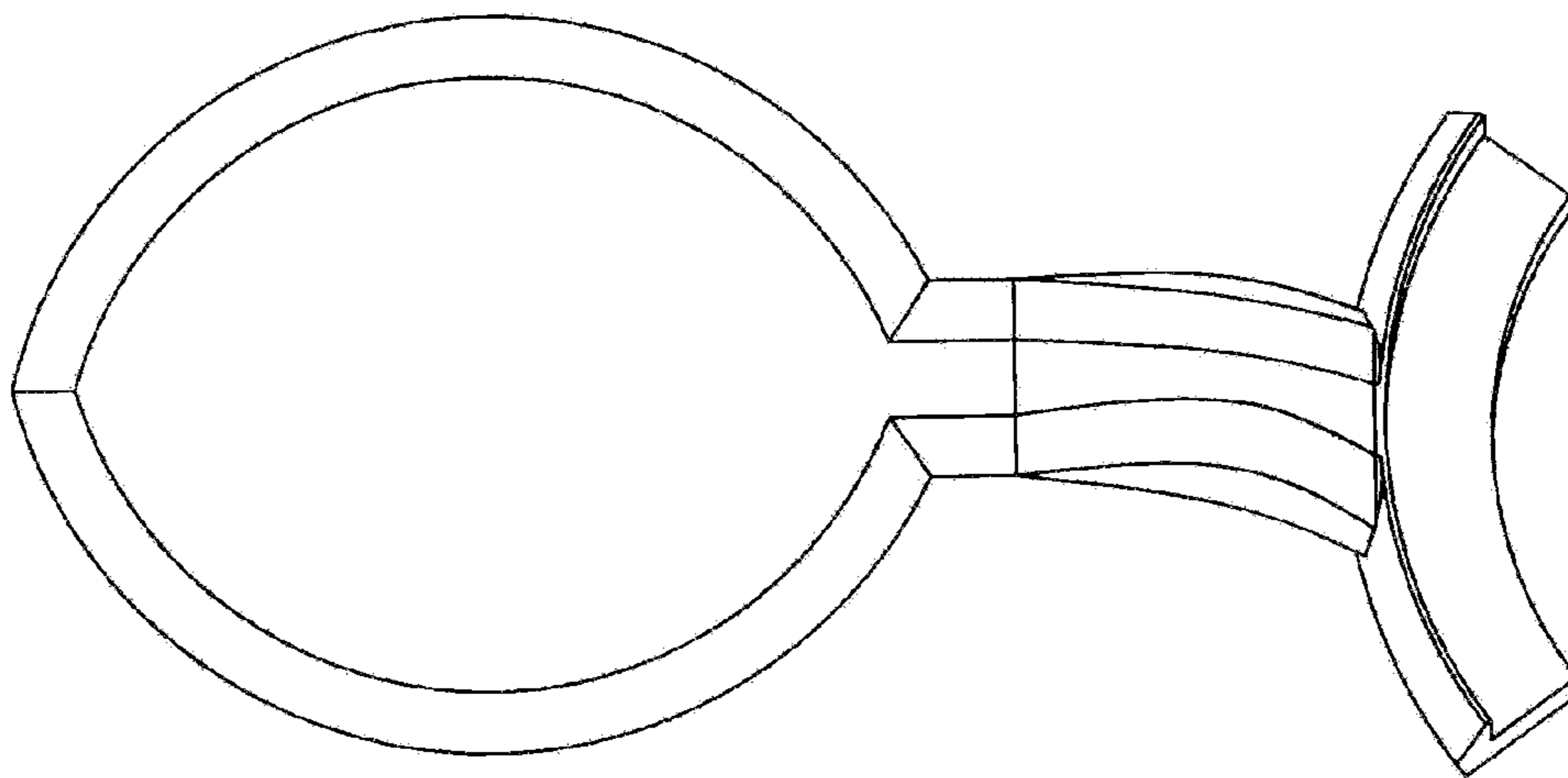


FIG. 14

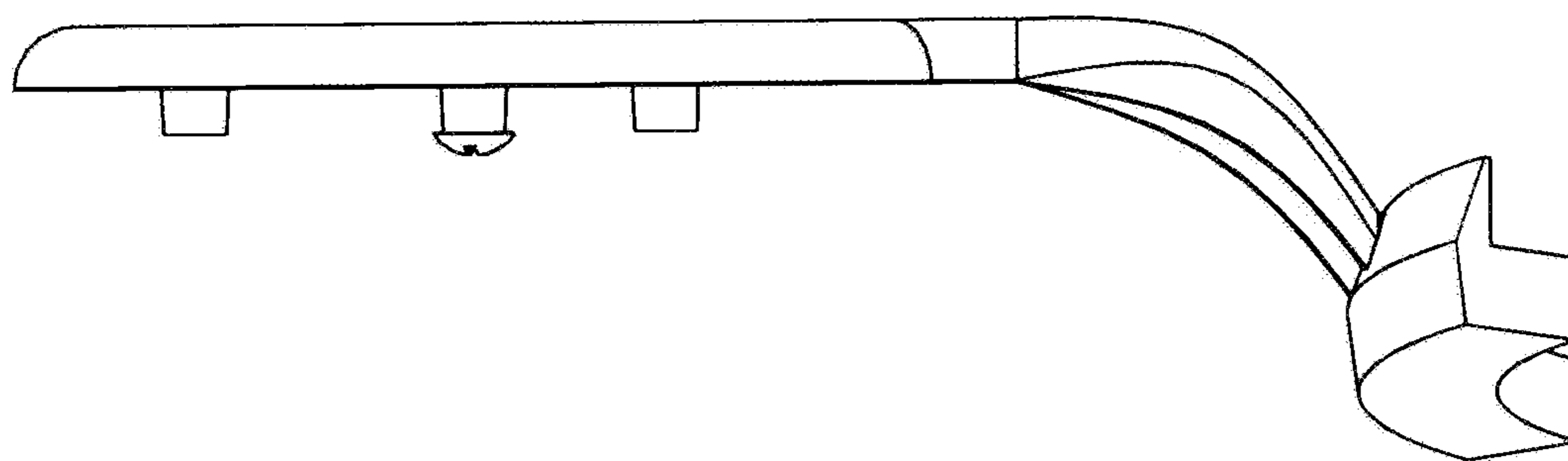


FIG. 15

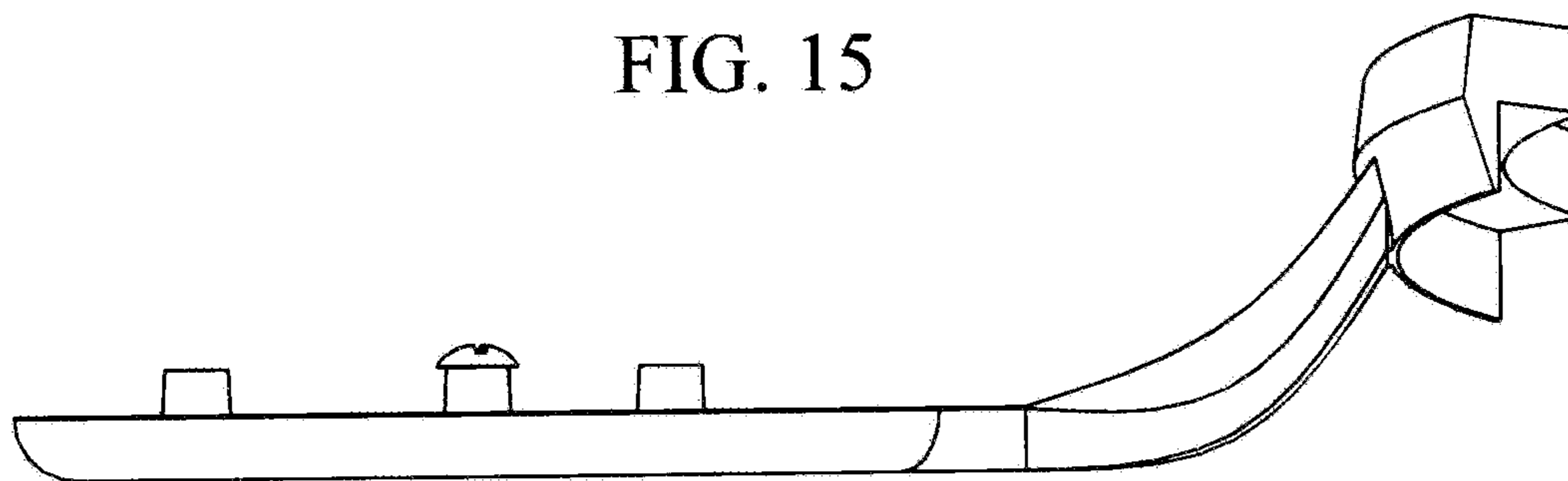


FIG. 16

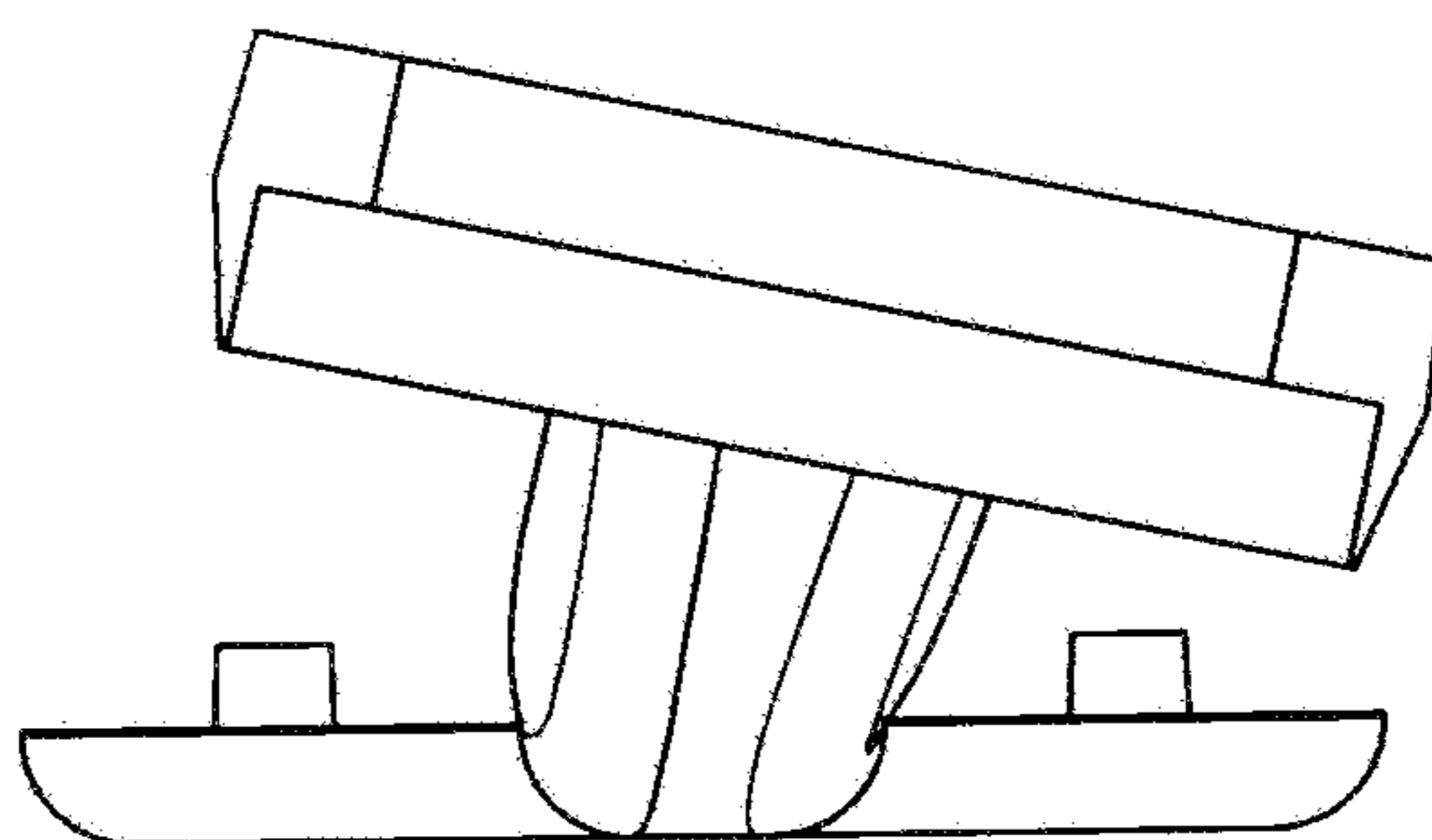


FIG. 17

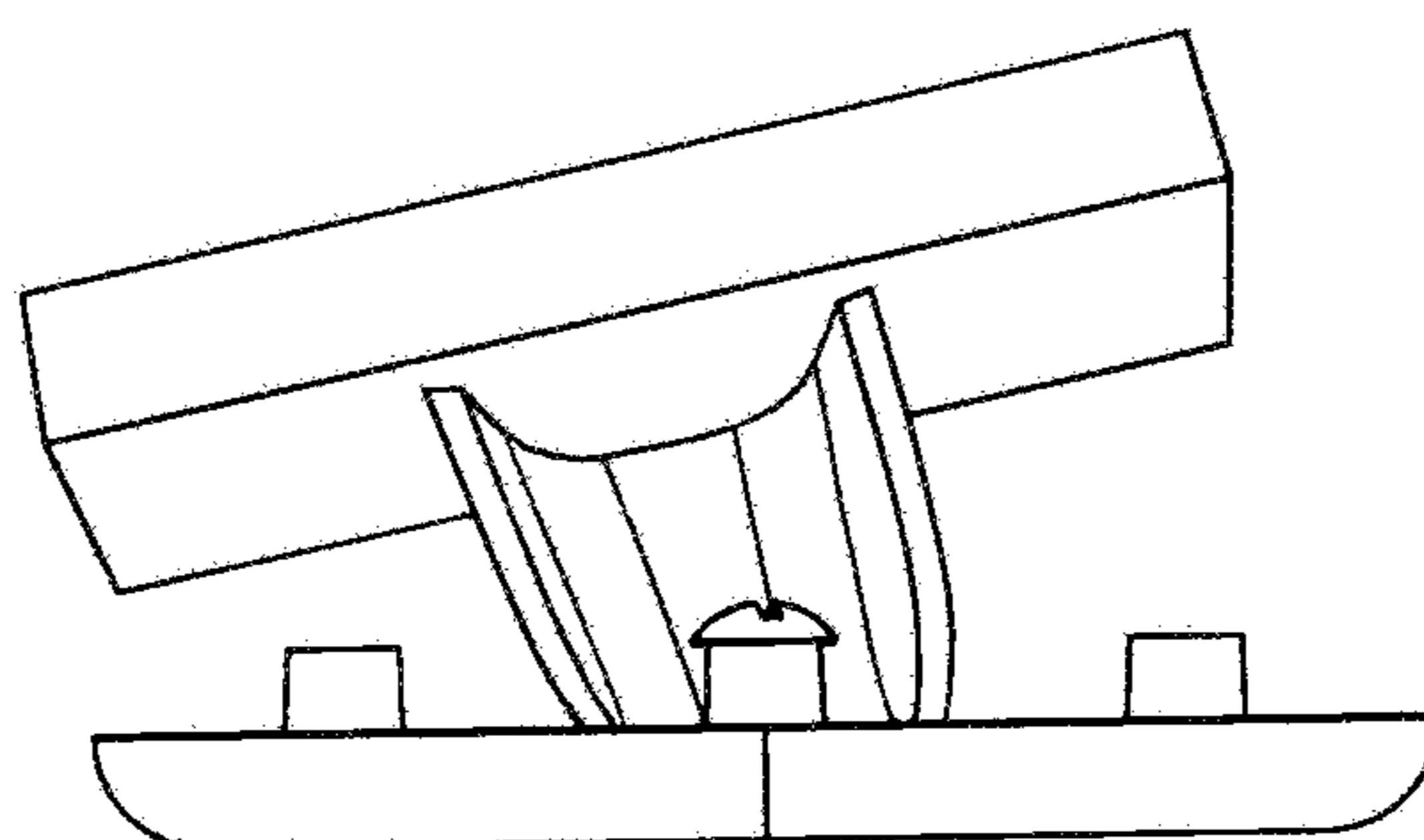


FIG. 18

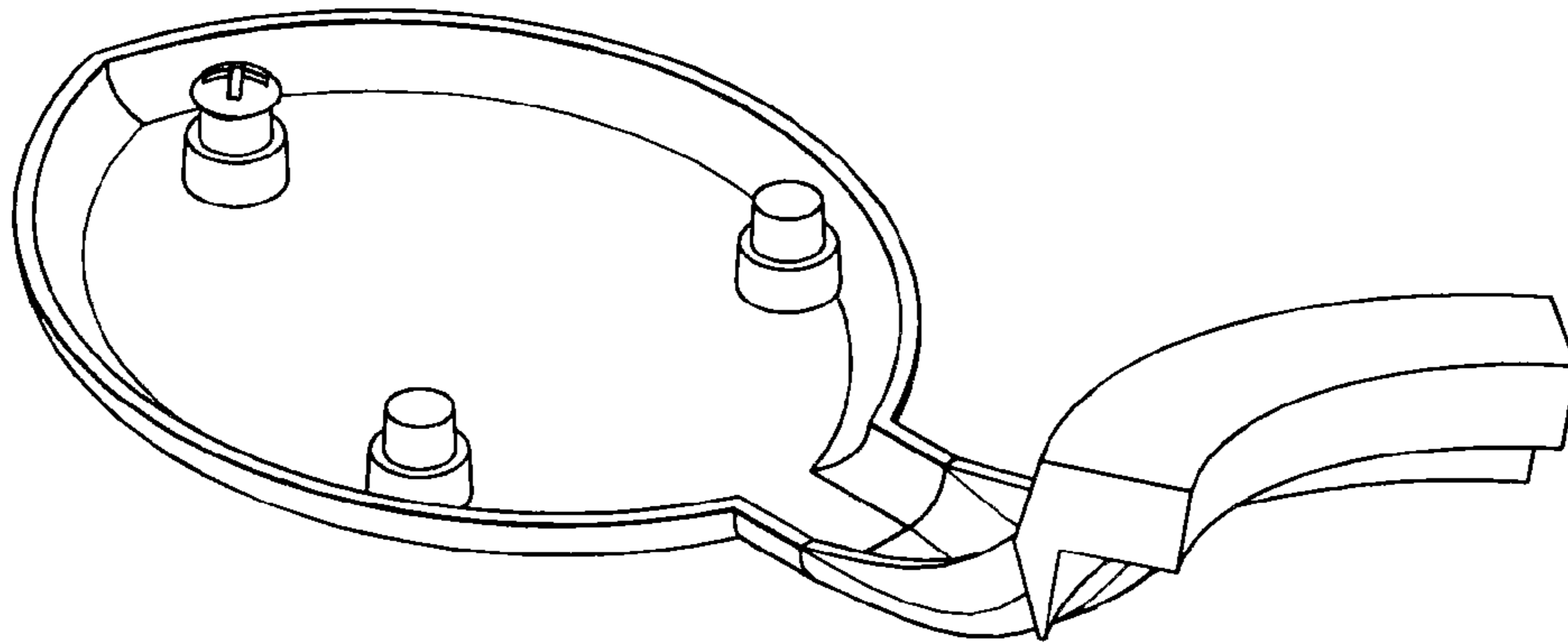


FIG. 19

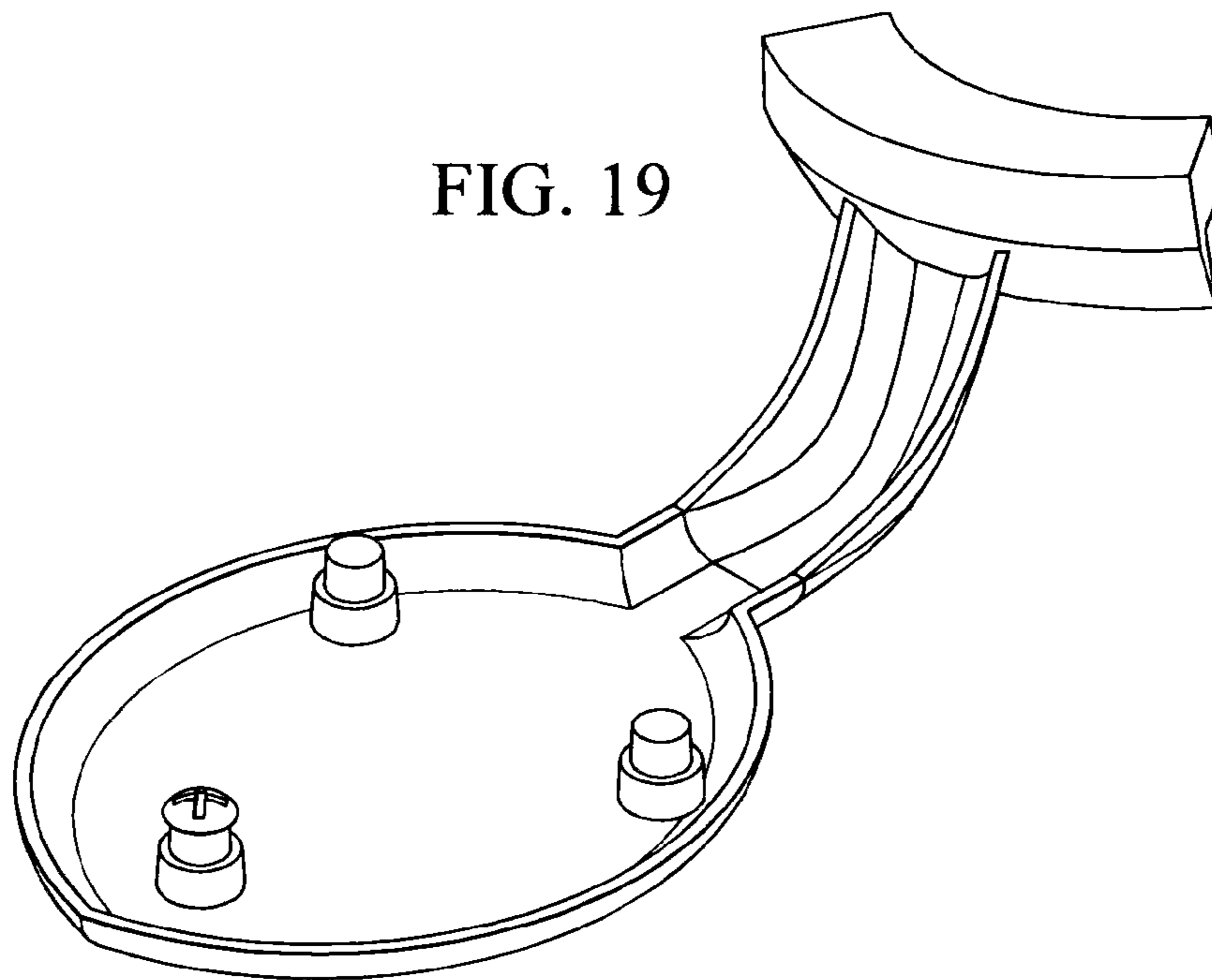


FIG. 20

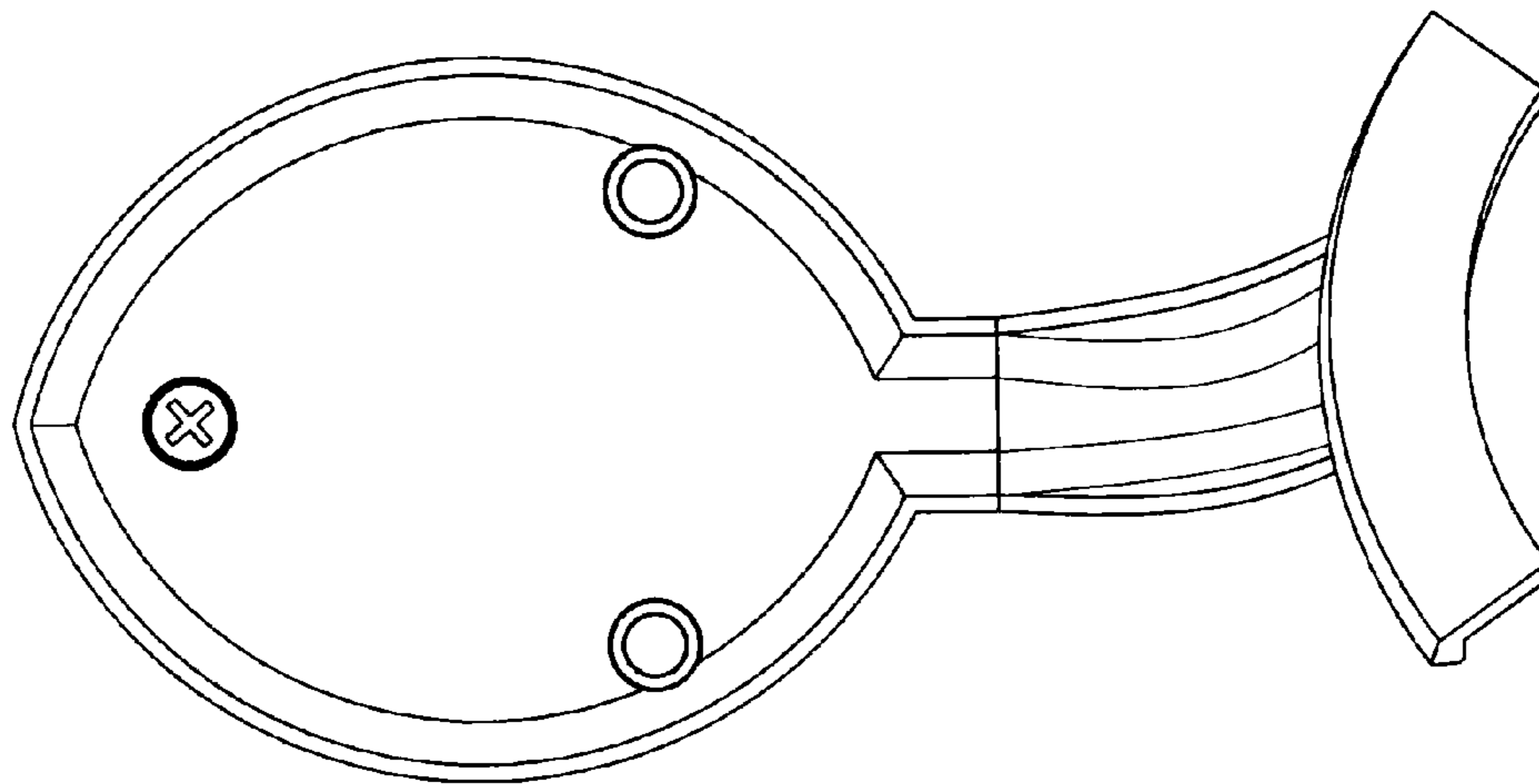


FIG. 21

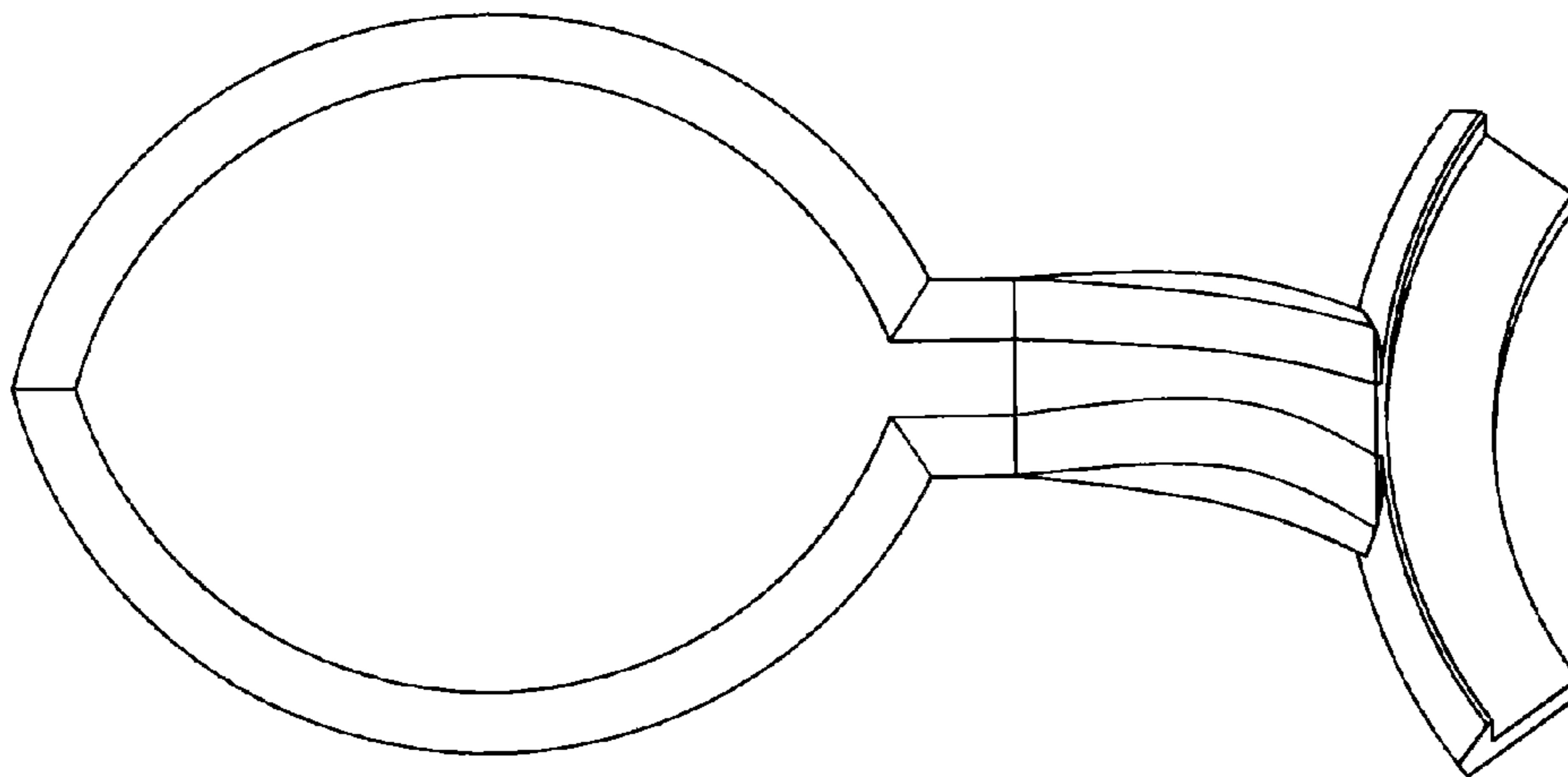


FIG. 22

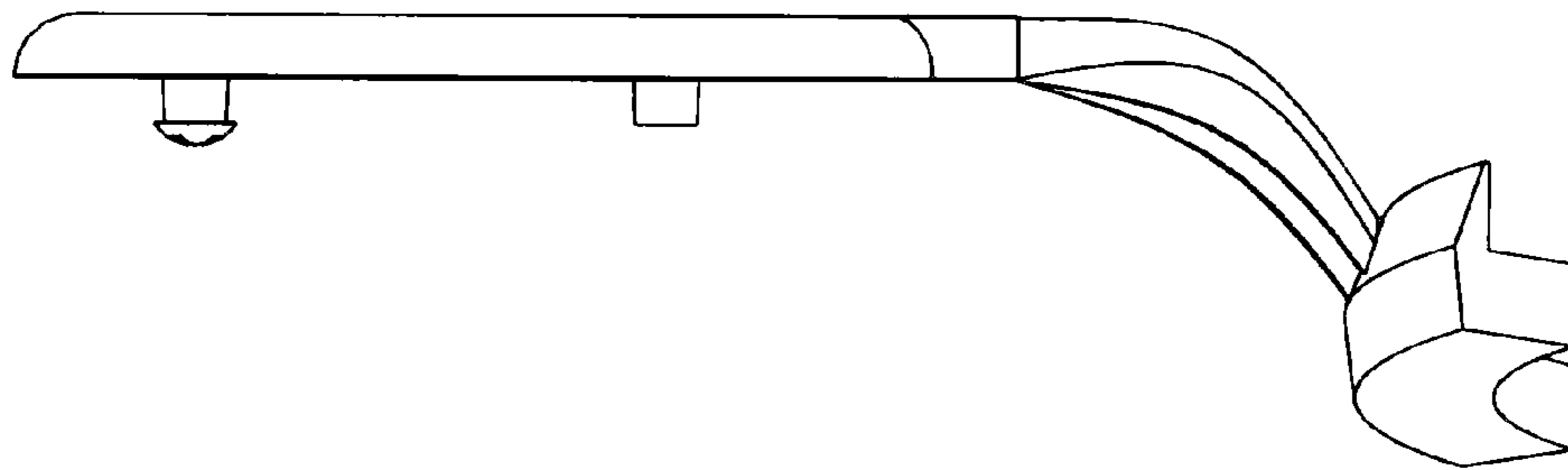


FIG. 23

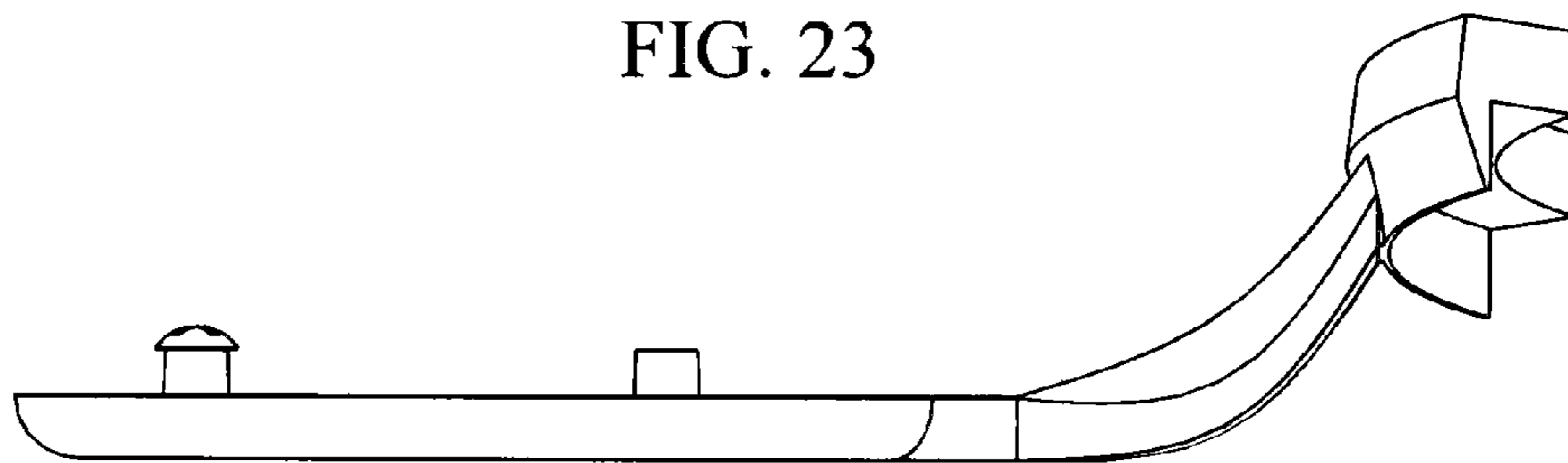


FIG. 24

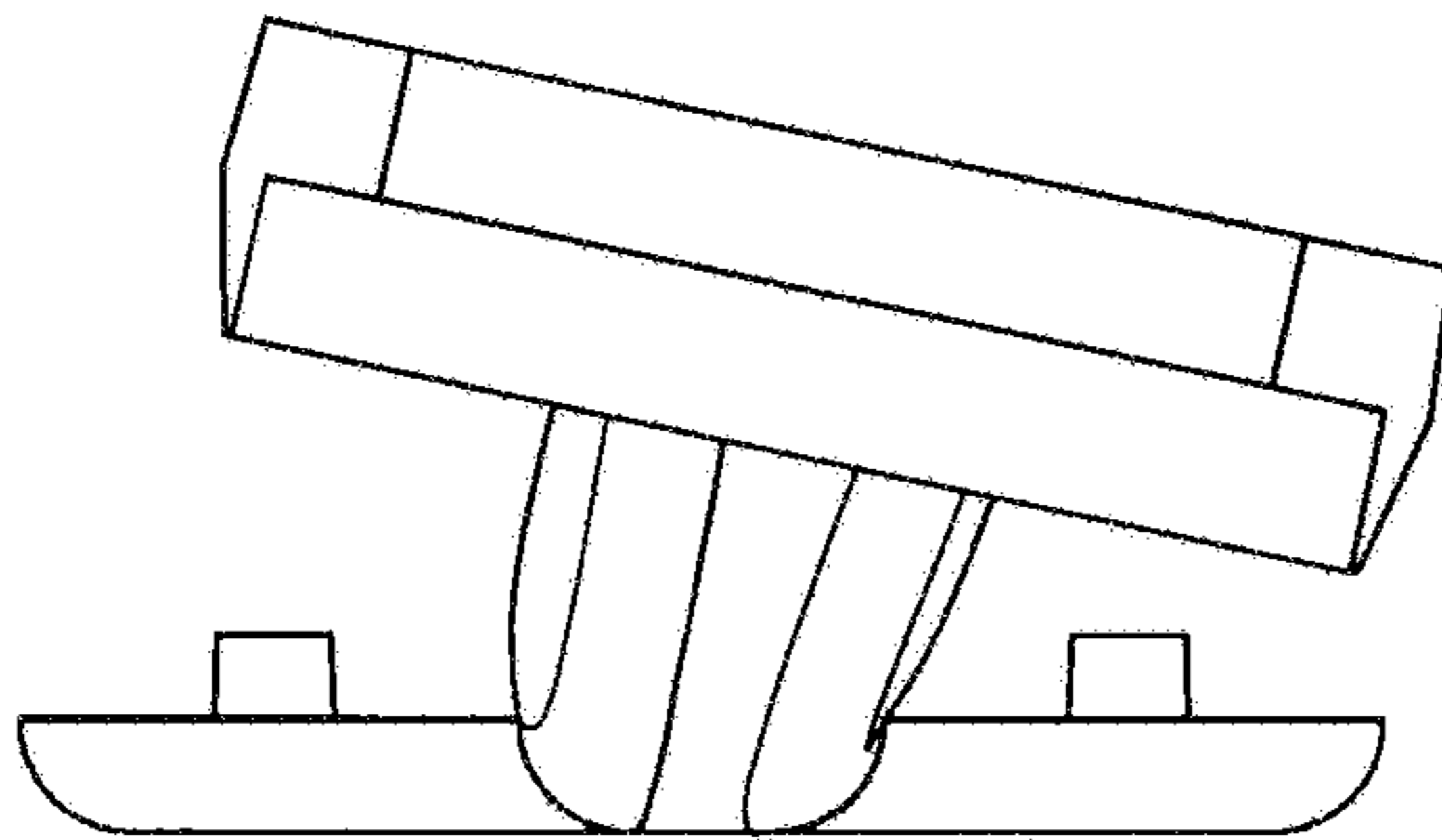


FIG. 25

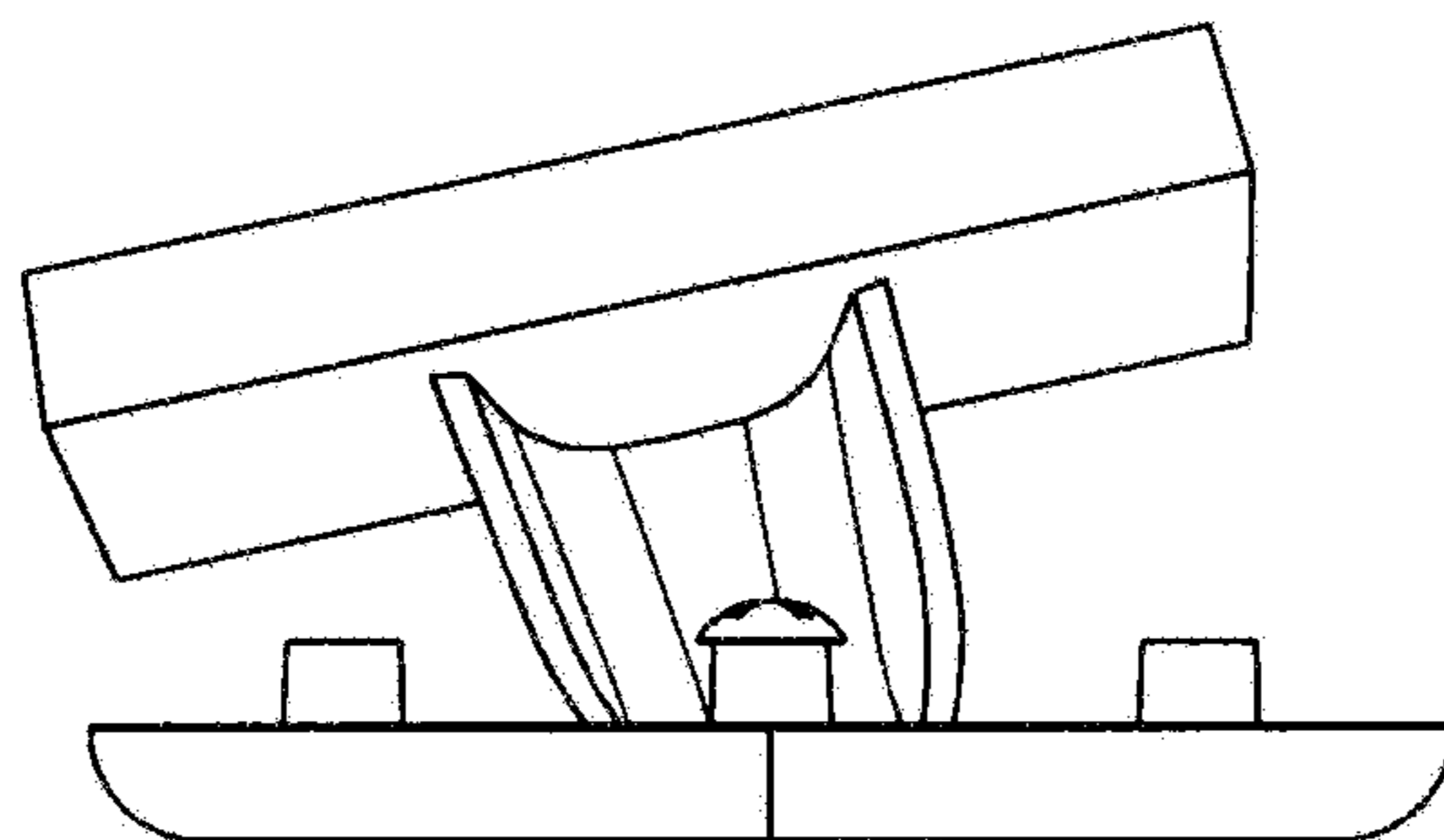


FIG. 26

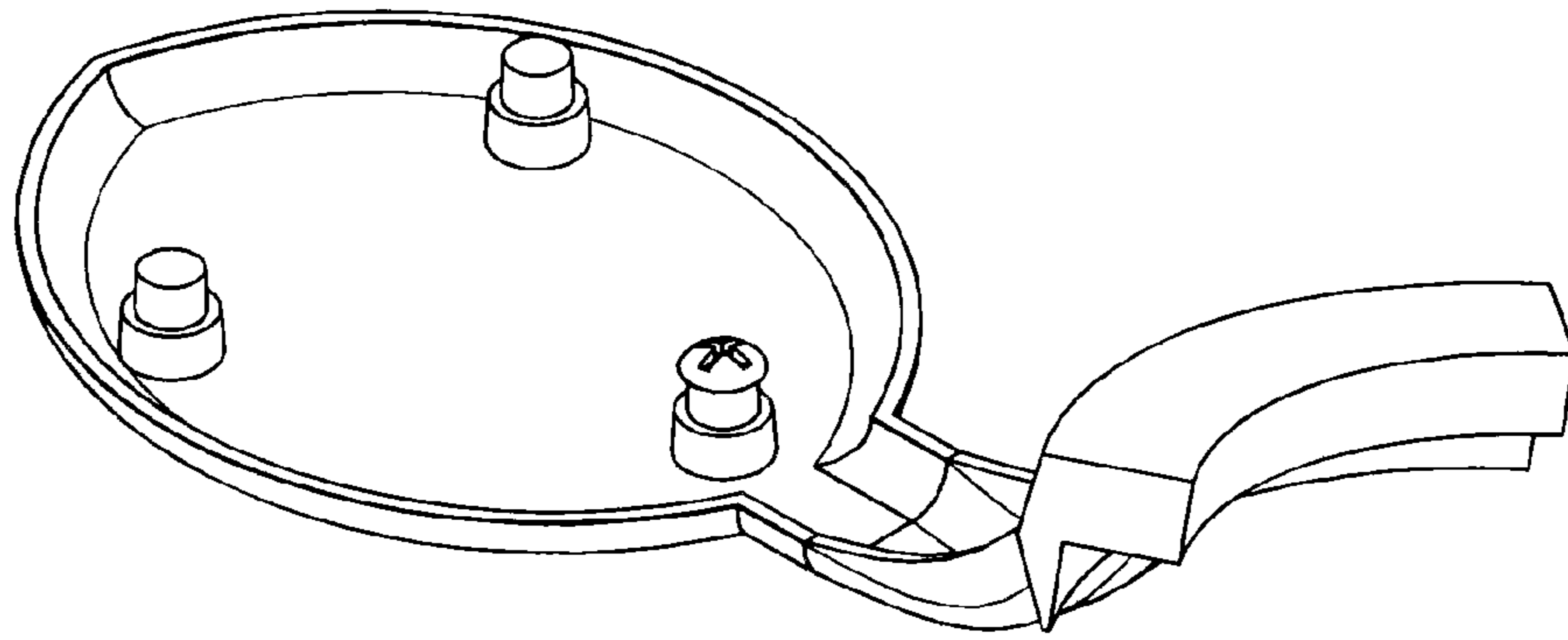


FIG. 27

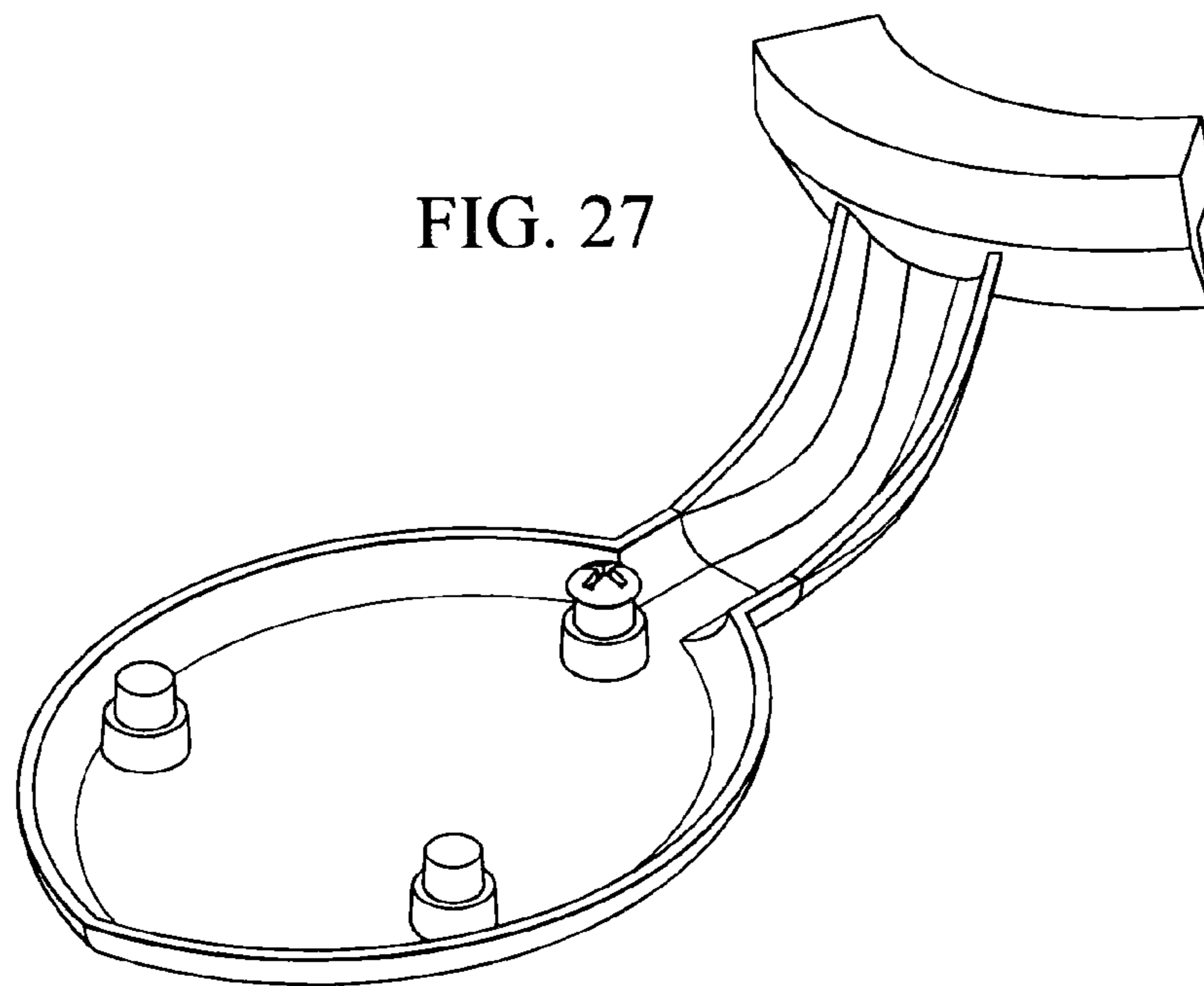


FIG. 28

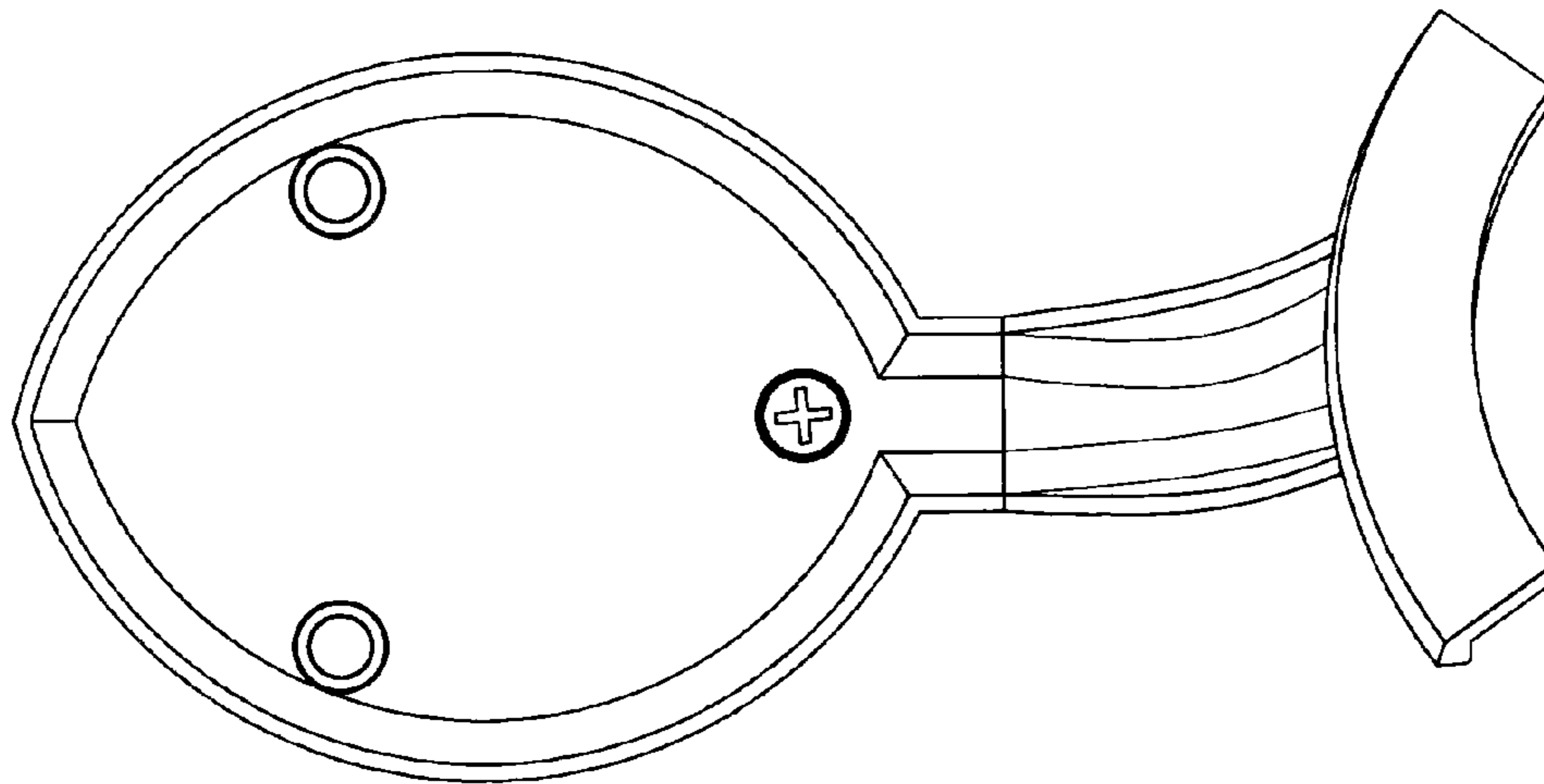


FIG. 29

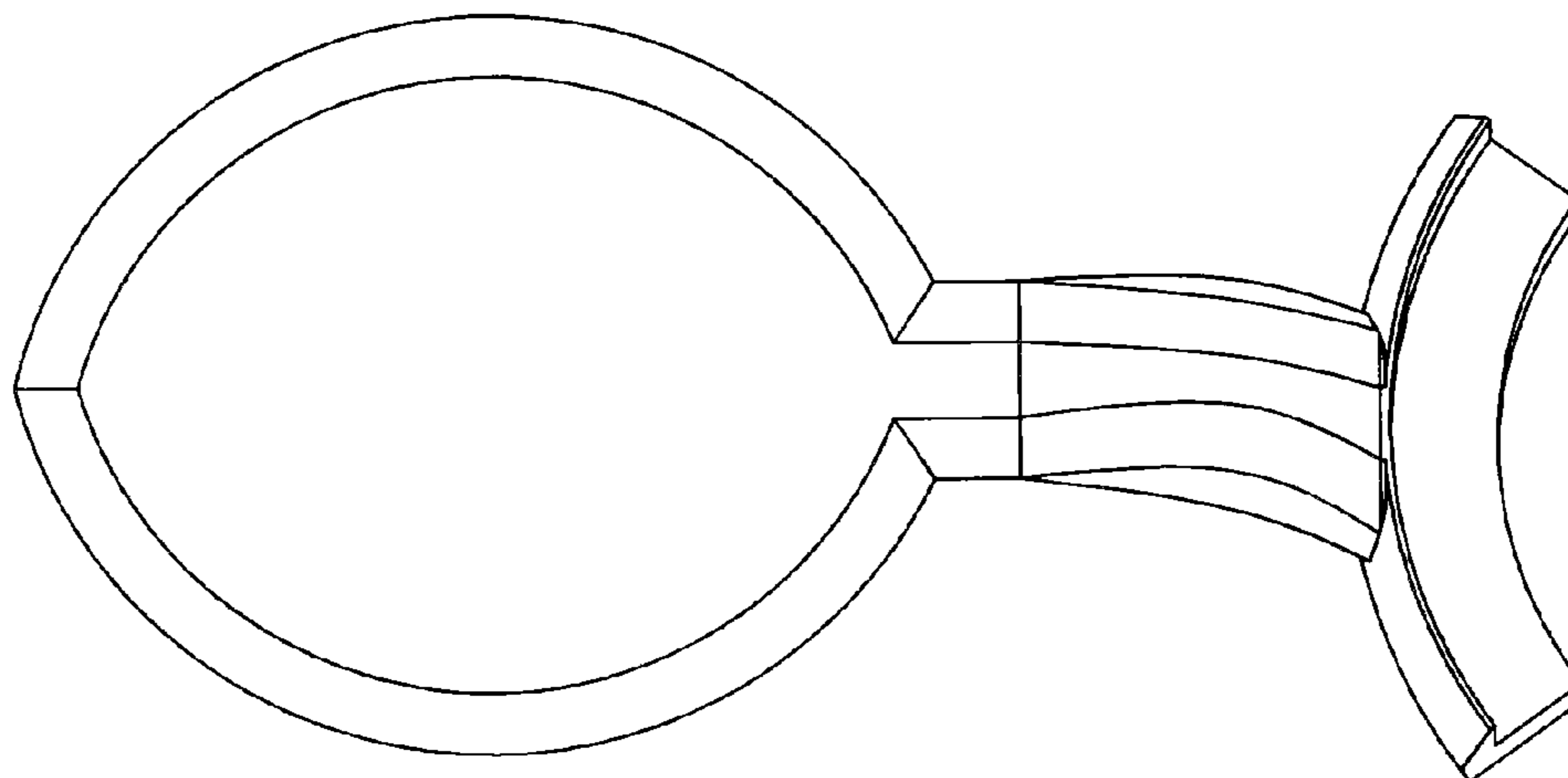


FIG. 30

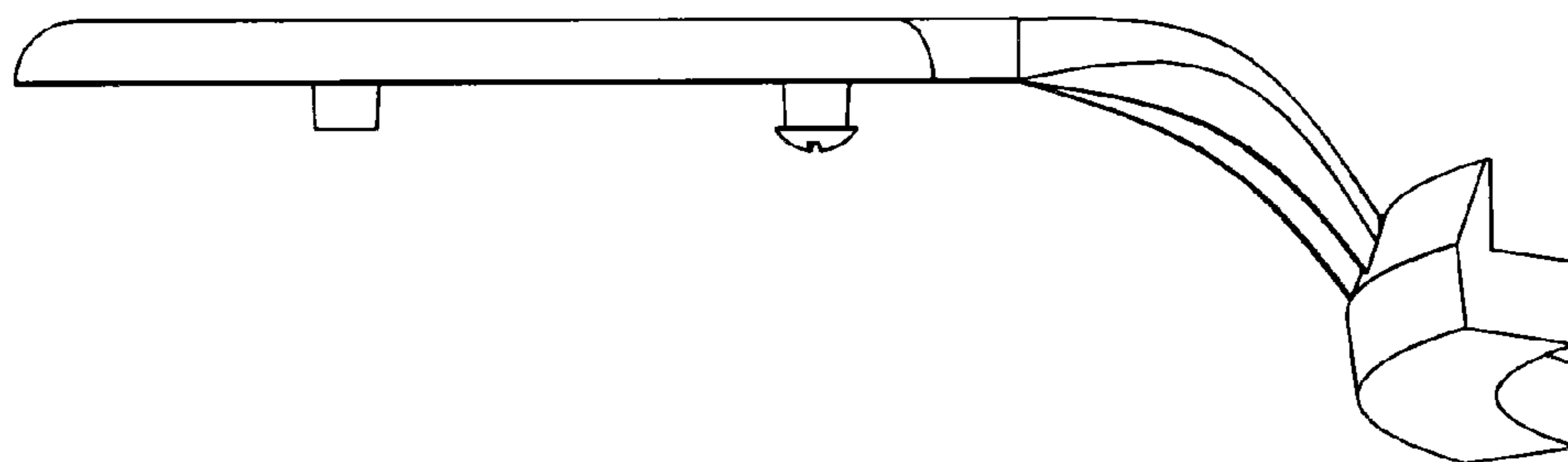


FIG. 31

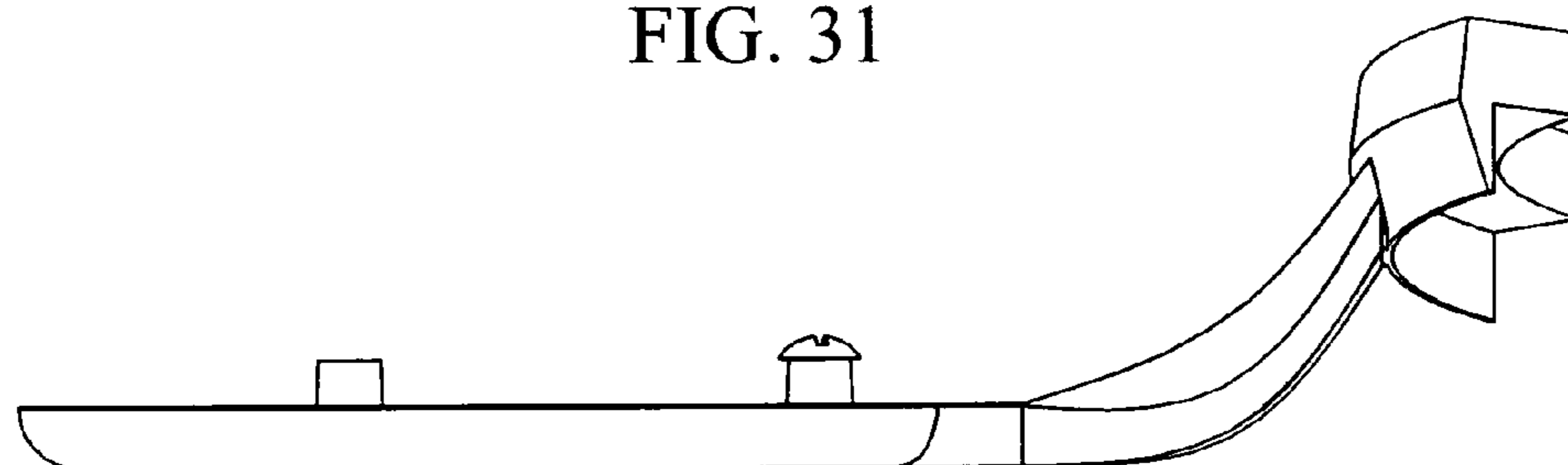


FIG. 32

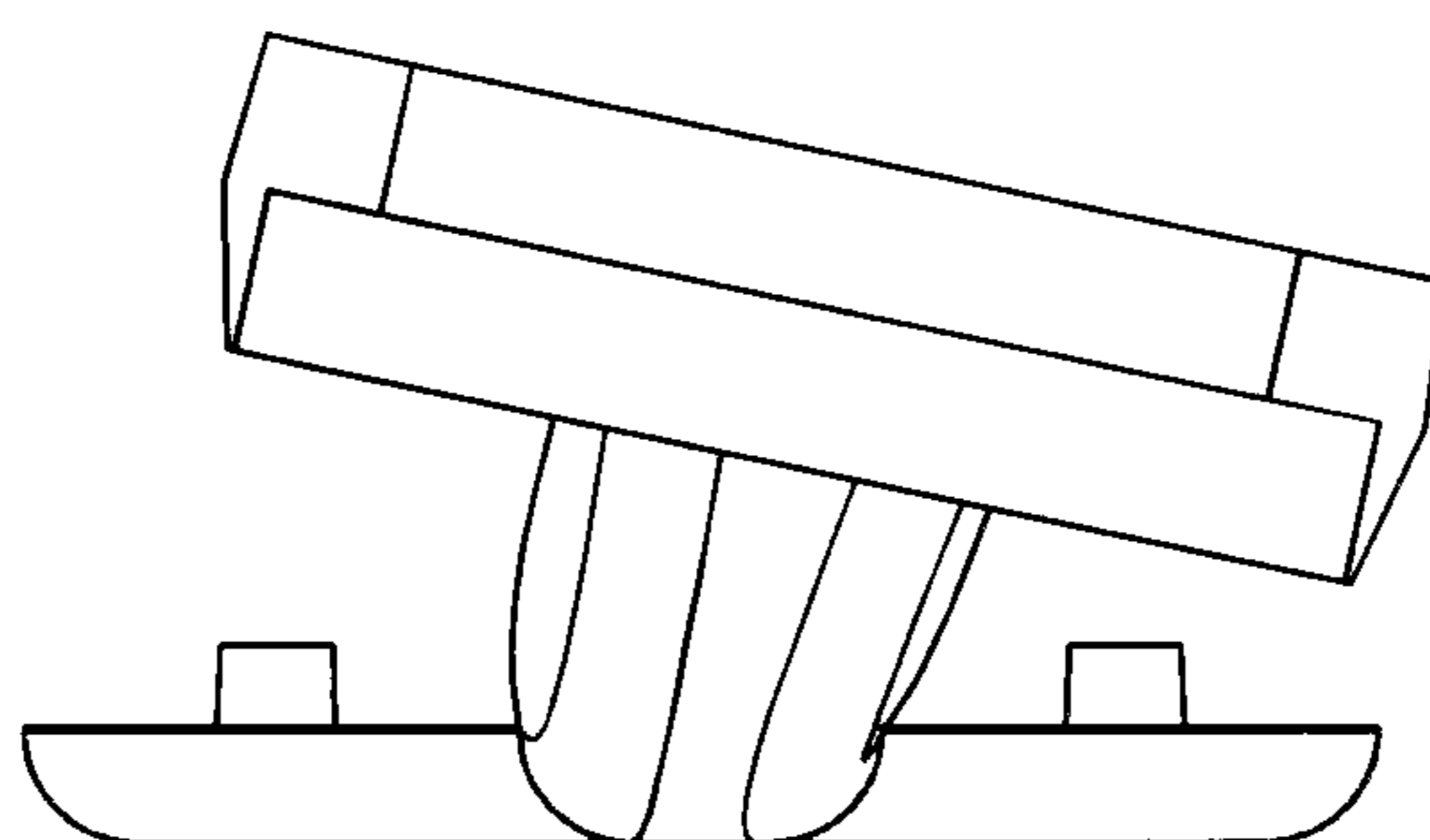


FIG. 33

