



US00D710491S

(12) **United States Design Patent**
Wang

(10) **Patent No.:** **US D710,491 S**

(45) **Date of Patent:** **** Aug. 5, 2014**

(54) **FAN BLADE BRACKET WITH CEILING HANGER**

(71) Applicant: **Air Cool Industrial Co., Ltd.**, Taichung (TW)

(72) Inventor: **Cliff Wang**, Taichung (TW)

(73) Assignee: **Air Cool Industrial Co., Ltd.**, Taichung (TW)

(**) Term: **14 Years**

(21) Appl. No.: **29/437,951**

(22) Filed: **Nov. 21, 2012**

(51) **LOC (10) Cl.** **23-04**

(52) **U.S. Cl.**
USPC **D23/411**

(58) **Field of Classification Search**

CPC F04D 25/088; F04D 29/34; F04D 29/322;
F04D 29/384; F01D 5/3015; F01D 5/323;
F01D 5/30; F01D 25/28; F05D 2250/70;
F05D 2240/80; F24F 2221/14; B63H 1/20;
F21V 21/104; F21V 33/0096
USPC D23/411-414, 324, 331, 343, 385,
D23/370-384, 387, 499; D8/323, 327, 349,
D8/354, 373, 380-387, 394, 397, 398;
D11/78.1, 86; 16/265, 382, 388, 389;
392/364; 248/188, 243, 4, 398; 310/91,
310/348; 416/5, 170 R, 214 R, 184, 206,
416/207, 210 R, 220 R, 244 R, 248
See application file for complete search history.

(56) **References Cited**

U.S. PATENT DOCUMENTS

1,583,864 A * 5/1926 Tucker 416/142
D339,191 S * 9/1993 Vieyra D23/377
5,542,819 A * 8/1996 Bucher et al. 416/146 R
D376,421 S * 12/1996 Jaspers-Fayer D23/377

D382,955 S * 8/1997 Liu D23/411
D435,643 S * 12/2000 Williams D23/377
D441,442 S * 5/2001 Williams D23/377
D445,888 S * 7/2001 Lee D23/377
D445,892 S * 7/2001 Hsieh D23/411
D478,382 S * 8/2003 Burns D23/411
D480,797 S * 10/2003 Young D23/411
D483,465 S * 12/2003 Tai D23/377
D483,848 S * 12/2003 Tai D23/377
D510,136 S * 9/2005 Hidalgo D23/411
D515,200 S * 2/2006 Tinen D23/411
D523,137 S * 6/2006 Wang D23/411
D526,714 S * 8/2006 Hidalgo D23/411
D527,093 S * 8/2006 Holmes D23/411
D556,884 S * 12/2007 Flores et al. D23/377
D556,886 S * 12/2007 Flores et al. D23/411
D564,652 S * 3/2008 Pan D23/411
D565,724 S * 4/2008 Hidalgo D23/411
7,384,242 B2 * 6/2008 Ming 416/210 R
D594,543 S * 6/2009 Pan D23/377

(Continued)

Primary Examiner — Susan Bennett Hattan

Assistant Examiner — Marie Fast Horse

(74) *Attorney, Agent, or Firm* — Ming Chow; Sinorica, LLC

(57) **CLAIM**

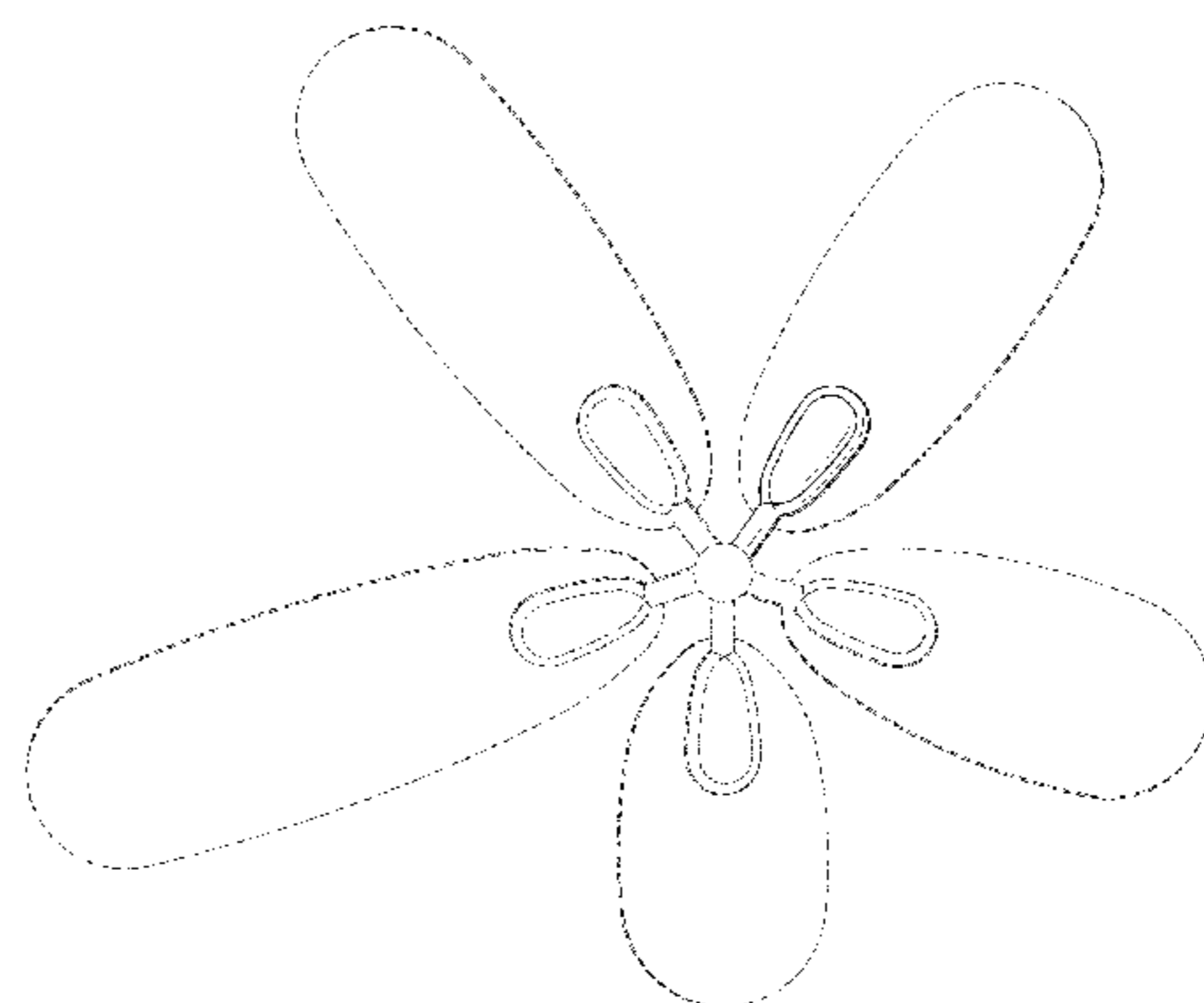
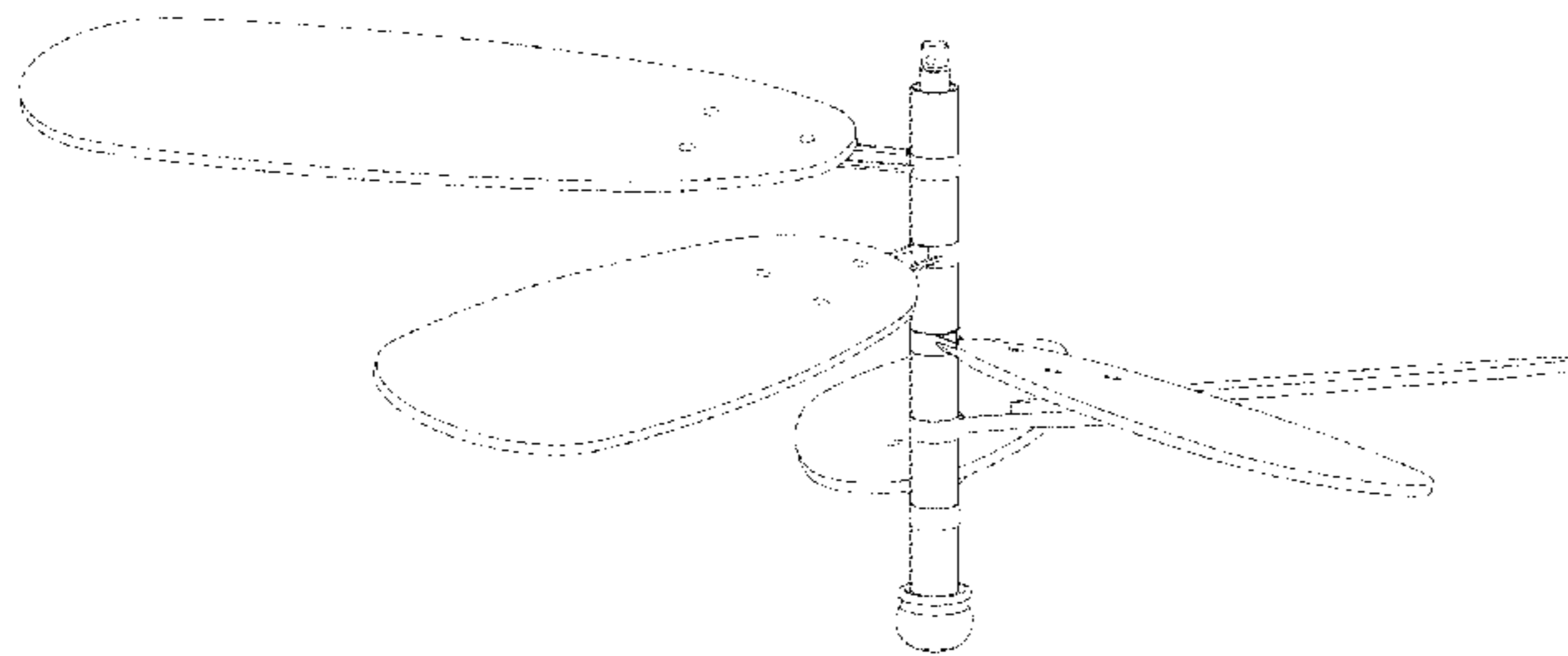
I claim the ornamental design for a fan blade bracket with ceiling hanger, as shown and described.

DESCRIPTION

FIG. 1 is a front perspective view of a fan blade bracket with ceiling hanger showing my new design;
FIG. 2 is a front elevational view thereof;
FIG. 3 is a rear elevational view thereof.
FIG. 4 is a left side elevational view thereof;
FIG. 5 is a right side elevational view thereof;
FIG. 6 is a top plan view thereof; and,
FIG. 7 is a bottom plan view thereof.

The broken lines in the drawings depict environmental subject matter only and form no part of the claimed design.

1 Claim, 5 Drawing Sheets



(56)

References Cited

U.S. PATENT DOCUMENTS

D595,404 S * 6/2009 Pan D23/411
D597,655 S * 8/2009 Hidalgo D23/411
D614,283 S * 4/2010 Ertze D23/411

D621,497 S * 8/2010 Chen D23/377
D626,213 S * 10/2010 Shurtleff D23/411
D642,673 S * 8/2011 Orozco D23/411
D671,634 S * 11/2012 Glasbrenner D23/411

* cited by examiner

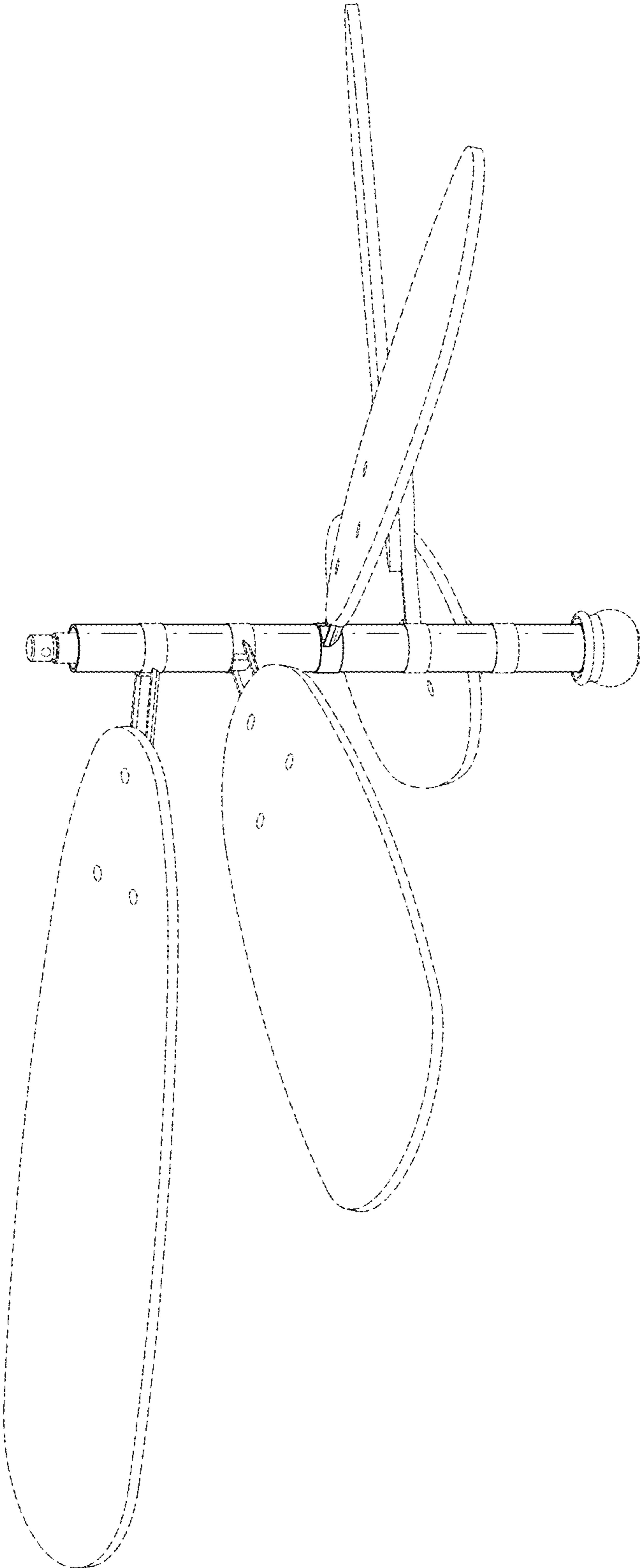


FIG. 1

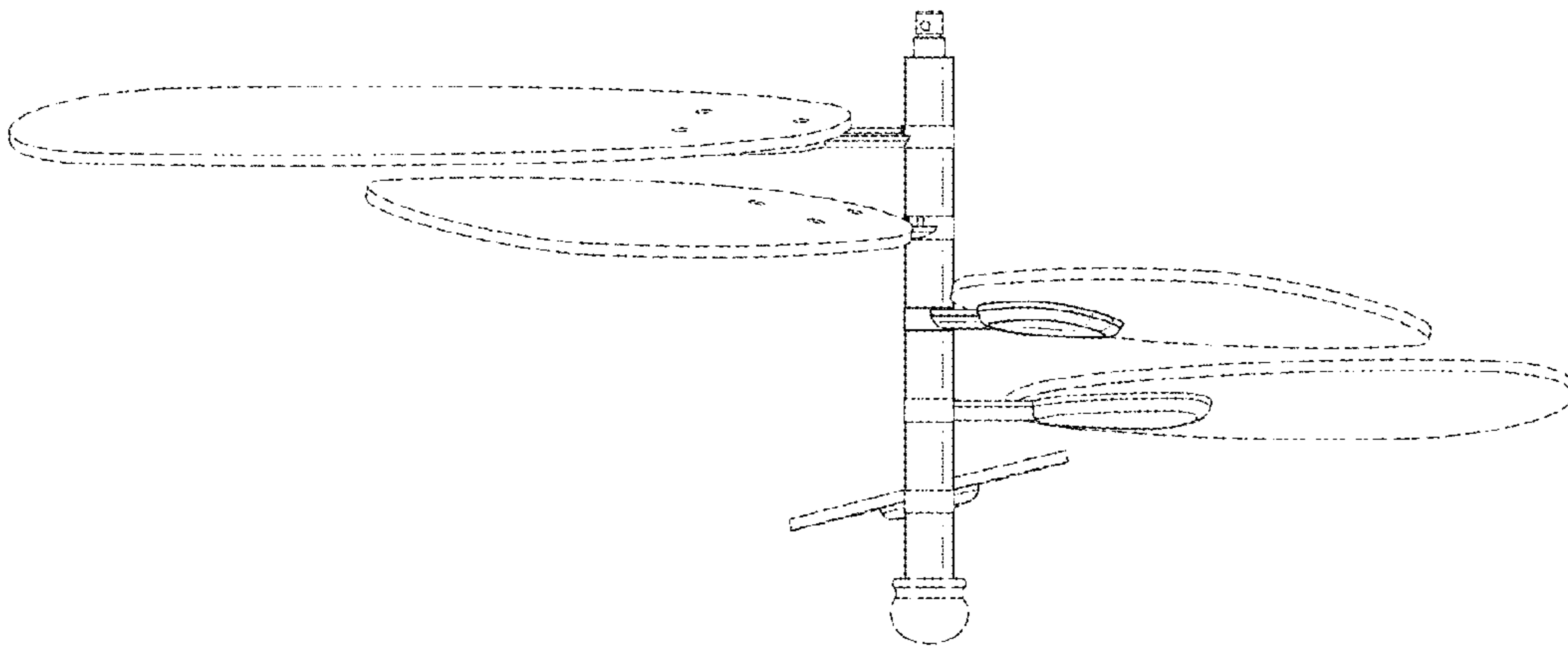


FIG. 2

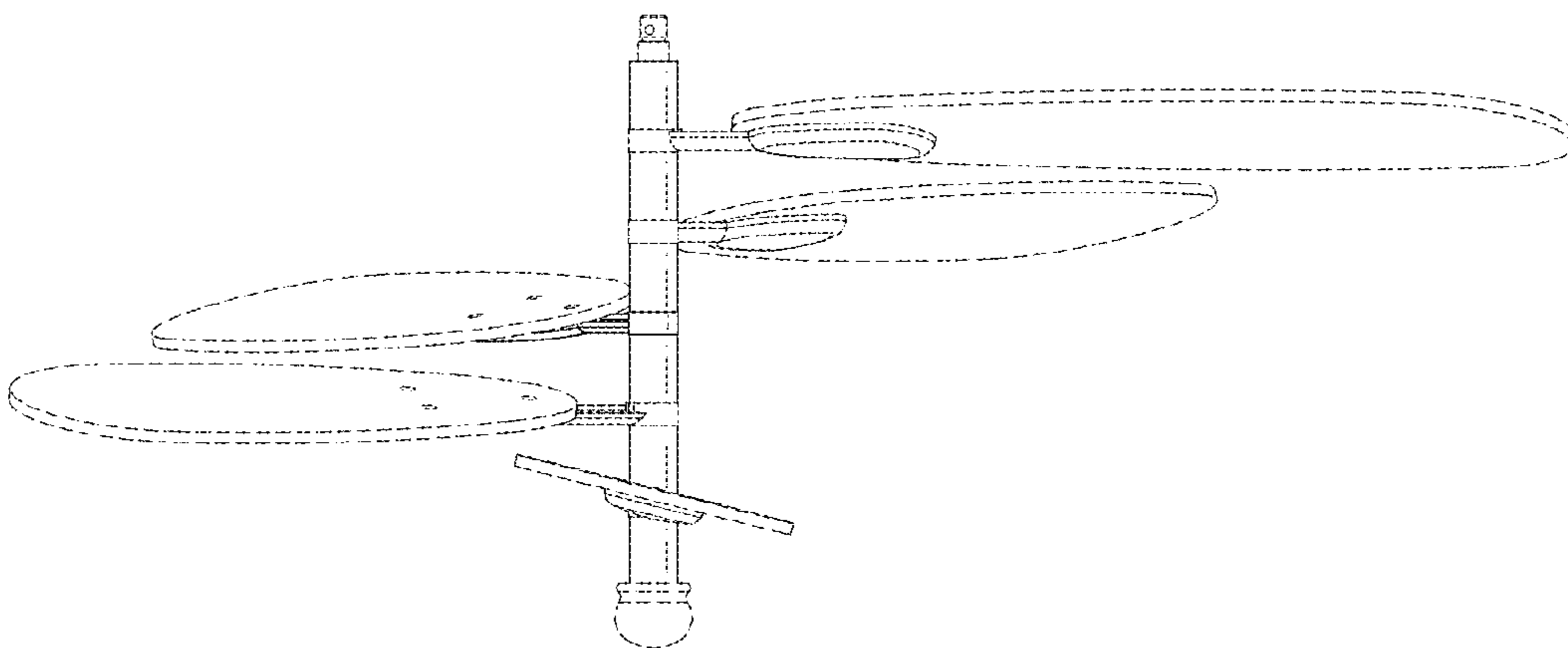


FIG. 3

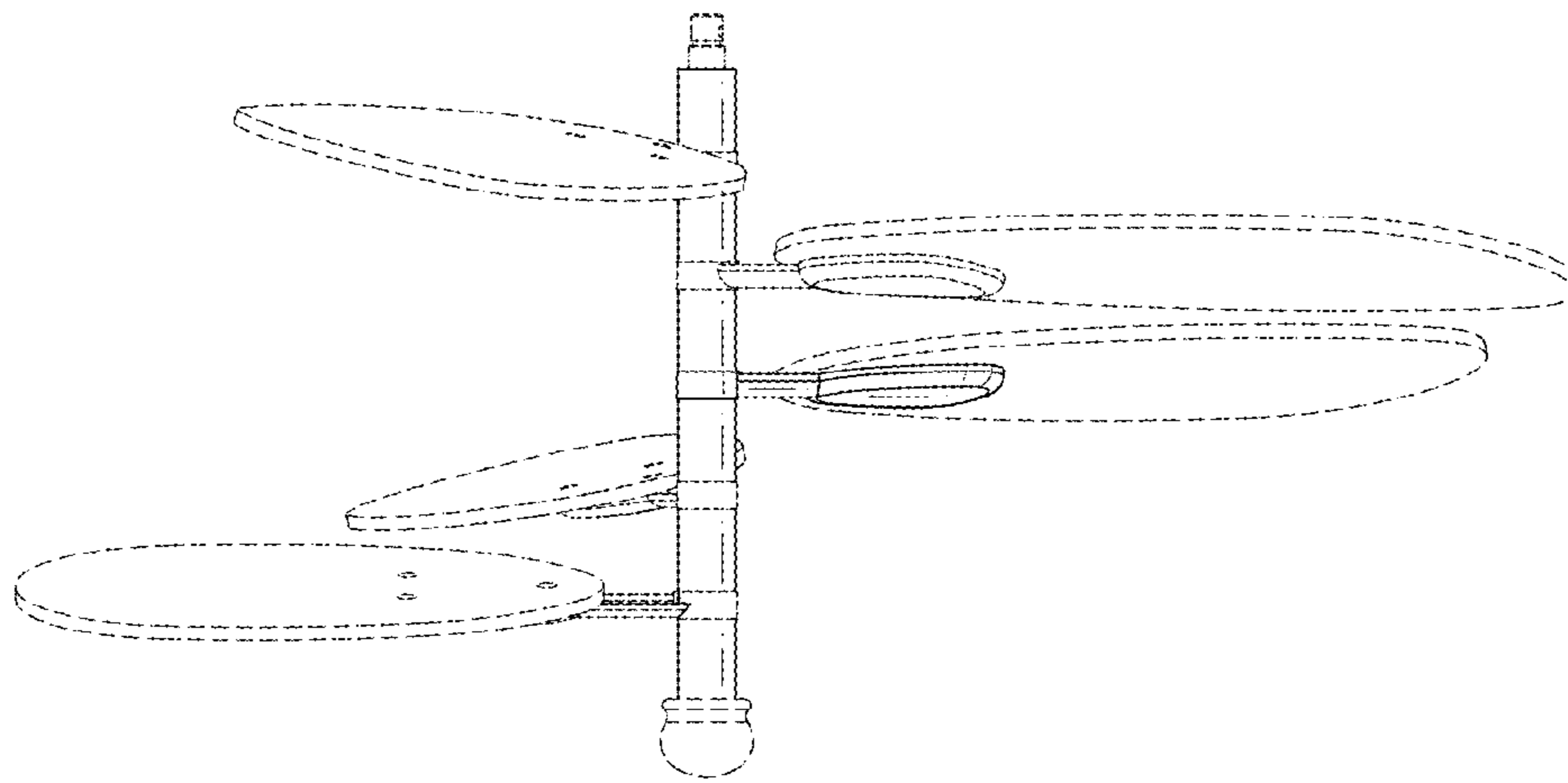


FIG. 4

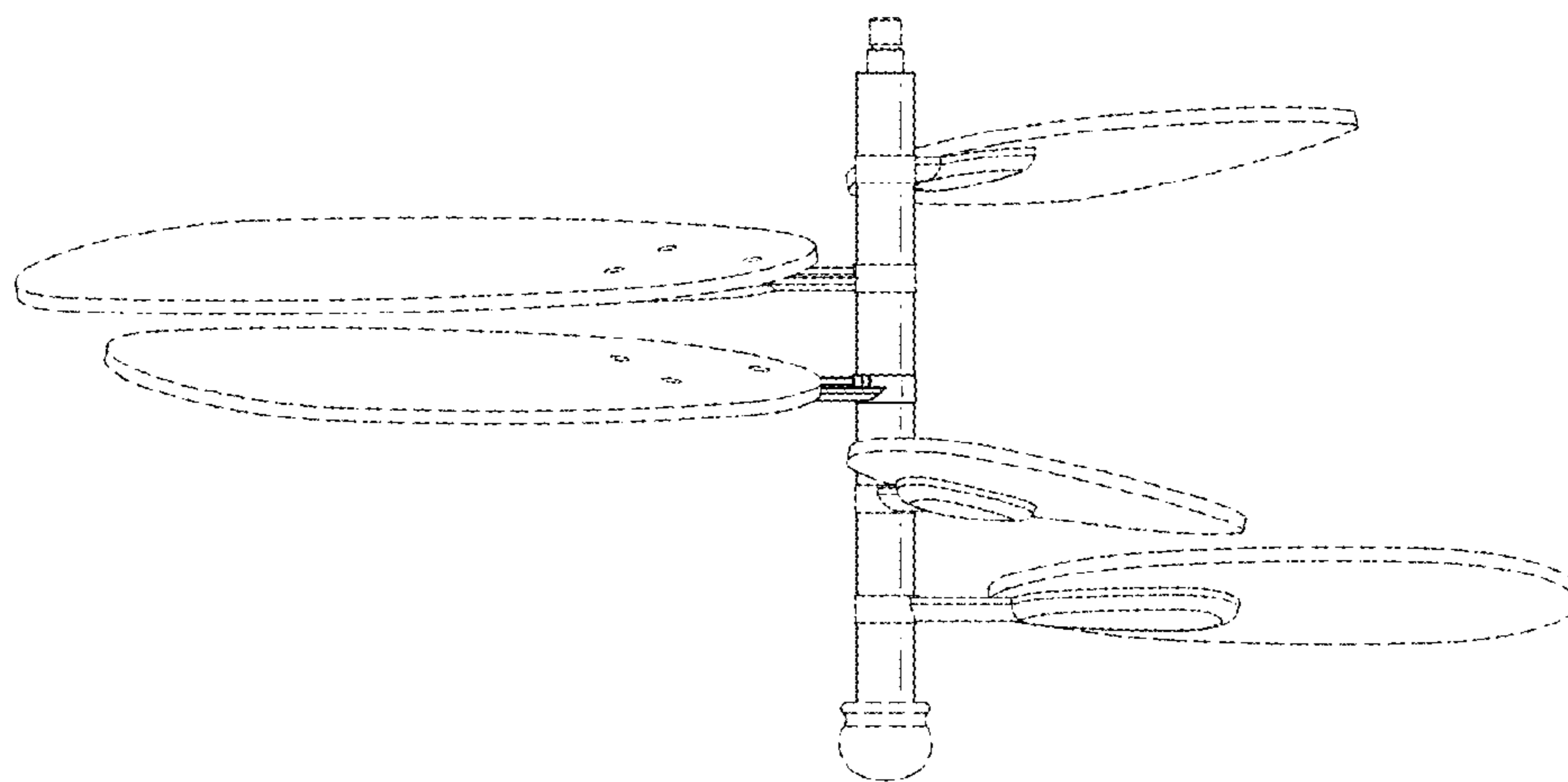


FIG. 5

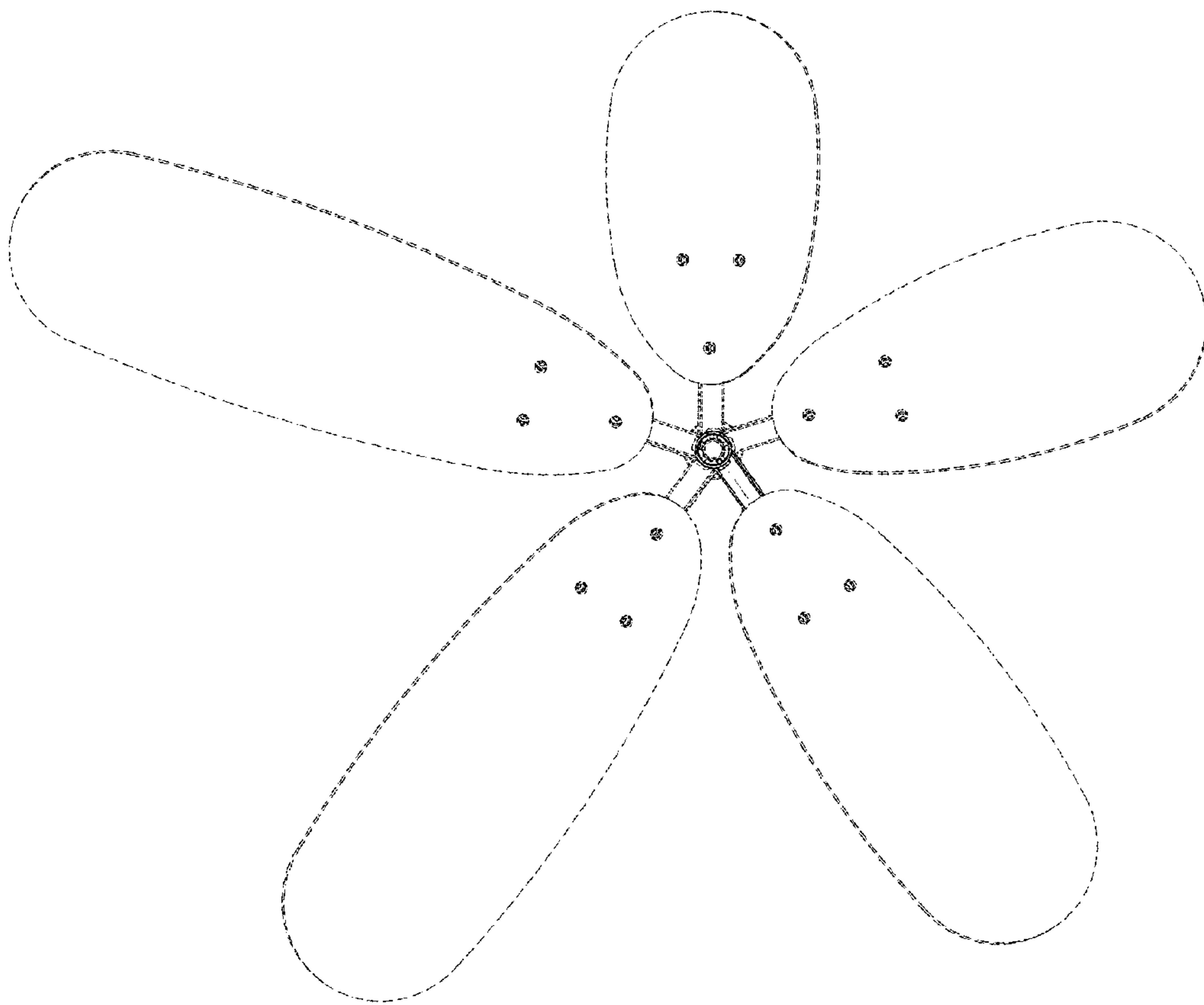


FIG. 6

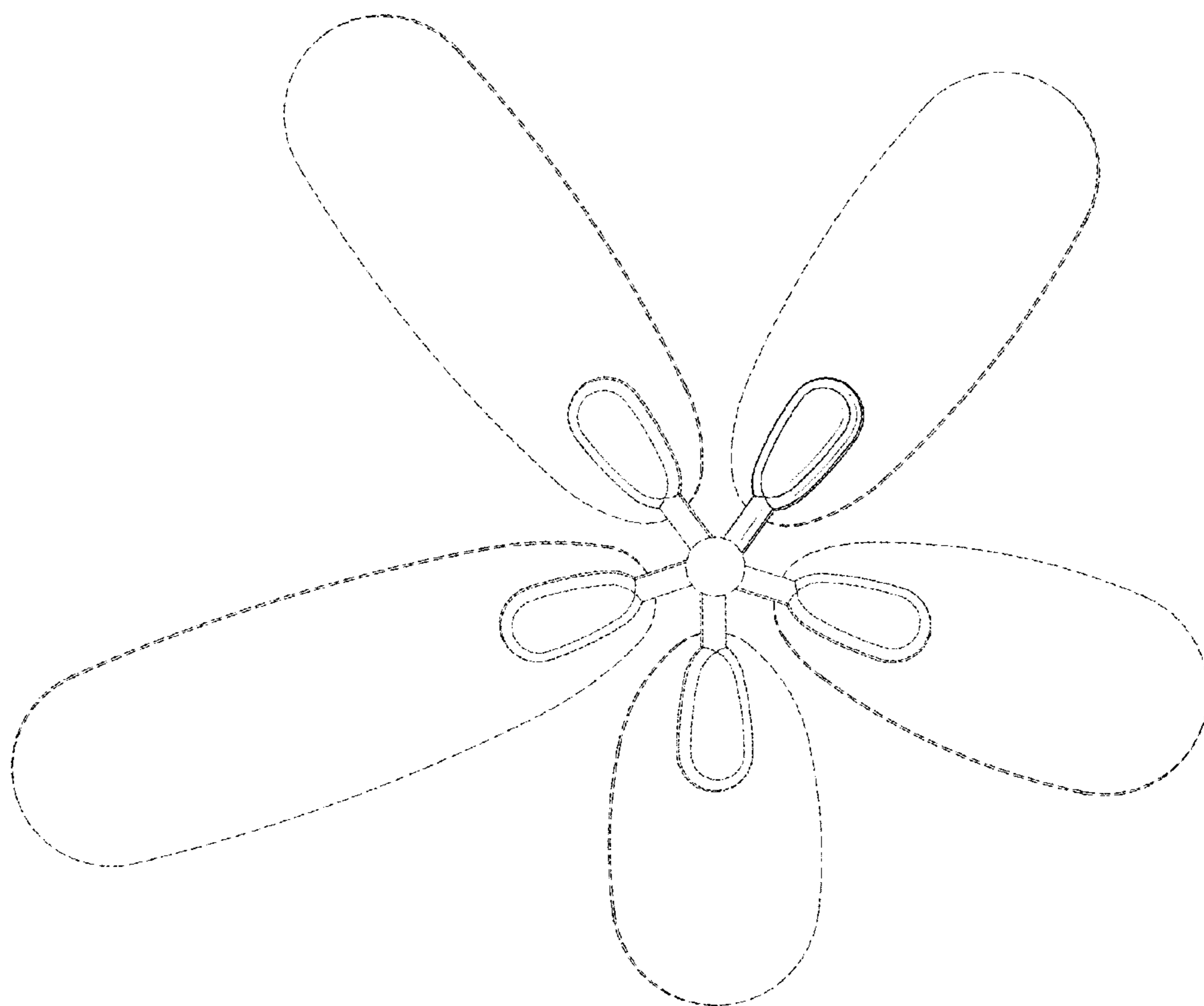


FIG. 7