



US00D710489S

(12) **United States Design Patent**
Shurtleff

(10) **Patent No.:** **US D710,489 S**

(45) **Date of Patent:** **** Aug. 5, 2014**

(54) **COMBINED CEILING FAN AND LIGHT KIT**

(71) Applicant: **Air Cool Industrial Co., Ltd.**, Taichung (TW)

(72) Inventor: **Mark L. Shurtleff**, Huntington Beach, CA (US)

(73) Assignee: **Air Cool Industrial Co., Ltd.**, Taichung (TW)

(**) Term: **14 Years**

(21) Appl. No.: **29/435,546**

(22) Filed: **Oct. 25, 2012**

(51) **LOC (10) Cl.** **23-04**

(52) **U.S. Cl.**
USPC **D23/377**

(58) **Field of Classification Search**

CPC F04D 25/088; F04D 25/08; F04D 29/34;
F04D 29/005; F04D 29/646; F04D 29/263;
F04D 25/06; F04D 29/20; F04D 29/242;
F04D 29/325; F04D 29/38; F04D 19/002;
F04D 1/04; F04D 29/322; Y02E 10/721;
F21V 33/0096; F21V 21/03; F21Y 2103/022;
F21Y 2103/02; F03D 1/0691; F03D 3/005;
F03D 1/0666; F03D 1/0675; F03D 3/002;
F05B 2250/25

USPC D23/385, 370–384, 411–414, 386–394,
D23/499; D26/51, 59, 72, 73, 80–86, 88,
D26/90, 134; 165/244; 362/96, 294; 416/5,
416/170 R, 214 R, 184, 206, 207, 21 OR,
416/220 R, 244 R, 248; 417/423.1; 392/364

See application file for complete search history.

(56) **References Cited**

U.S. PATENT DOCUMENTS

D45,313 S * 2/1914 Schoenhardt D26/88
D164,983 S * 10/1951 Crook D23/369

4,391,570 A * 7/1983 Stutzman 417/353
D285,720 S * 9/1986 Markwardt D23/377
D295,555 S * 5/1988 Greenberg D23/385
D324,565 S * 3/1992 Fraser D23/411
D345,790 S * 4/1994 Caldwell D23/377
D364,223 S * 11/1995 DiPasquale D23/377
D373,628 S * 9/1996 DiSandro D23/377
5,554,006 A * 9/1996 Liao 416/235
D374,715 S * 10/1996 DiPasquale D23/377
5,655,877 A * 8/1997 Yu 416/5
5,669,760 A * 9/1997 Chen 416/210 R
5,672,048 A * 9/1997 Yu 416/5
5,839,881 A * 11/1998 Yu 416/5
D408,517 S * 4/1999 LaSpina D23/377
5,899,663 A * 5/1999 Feder et al. 416/5
6,022,189 A * 2/2000 Yu 416/5
6,036,331 A * 3/2000 Acquisto 362/96
D424,188 S * 5/2000 Liu D23/377
6,367,942 B1 * 4/2002 Bauer 362/34

(Continued)

Primary Examiner — Susan Bennett Hattan

Assistant Examiner — Marie Fast Horse

(74) *Attorney, Agent, or Firm* — Ming Chow; Sinorica, LLC

(57) **CLAIM**

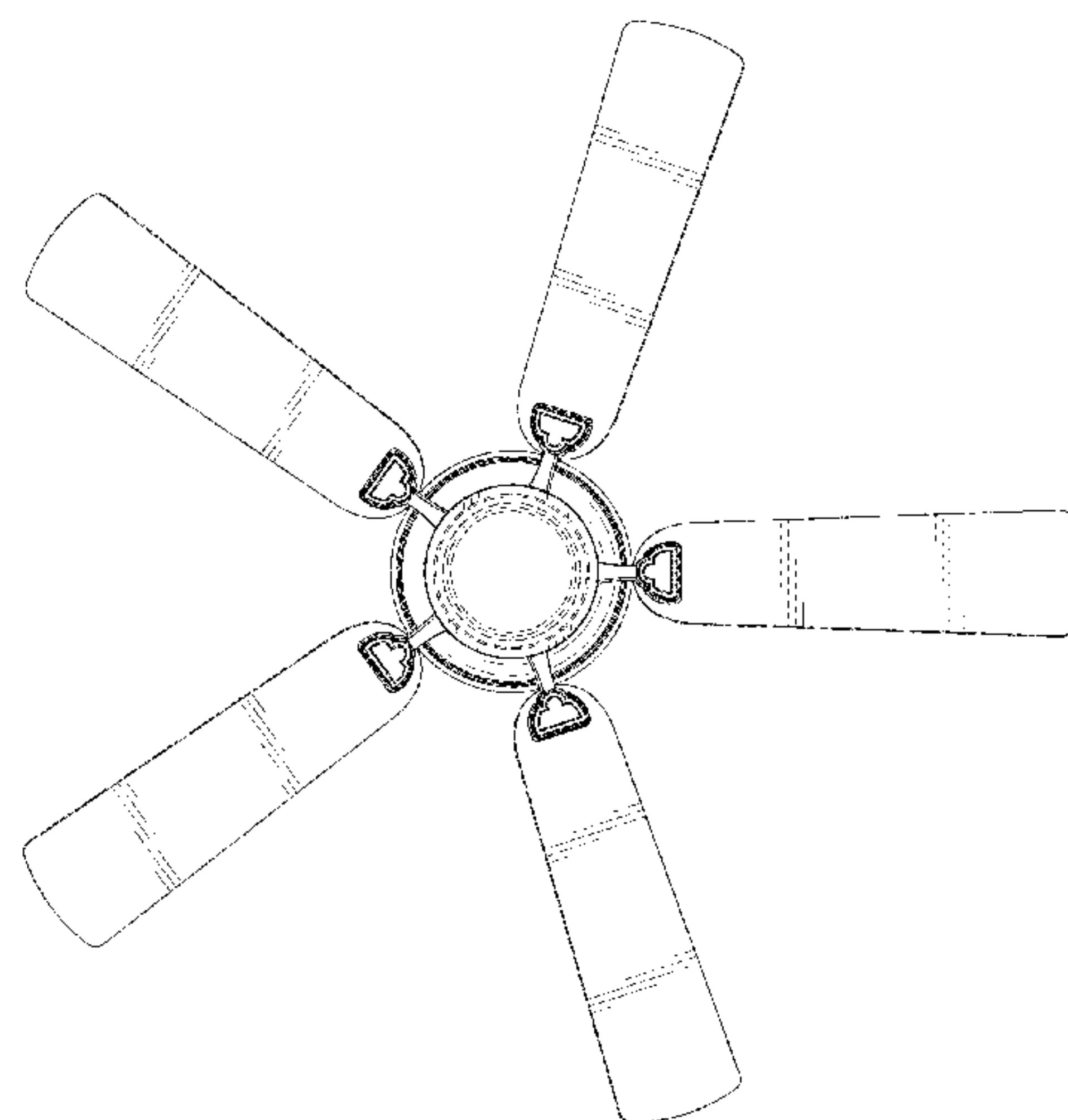
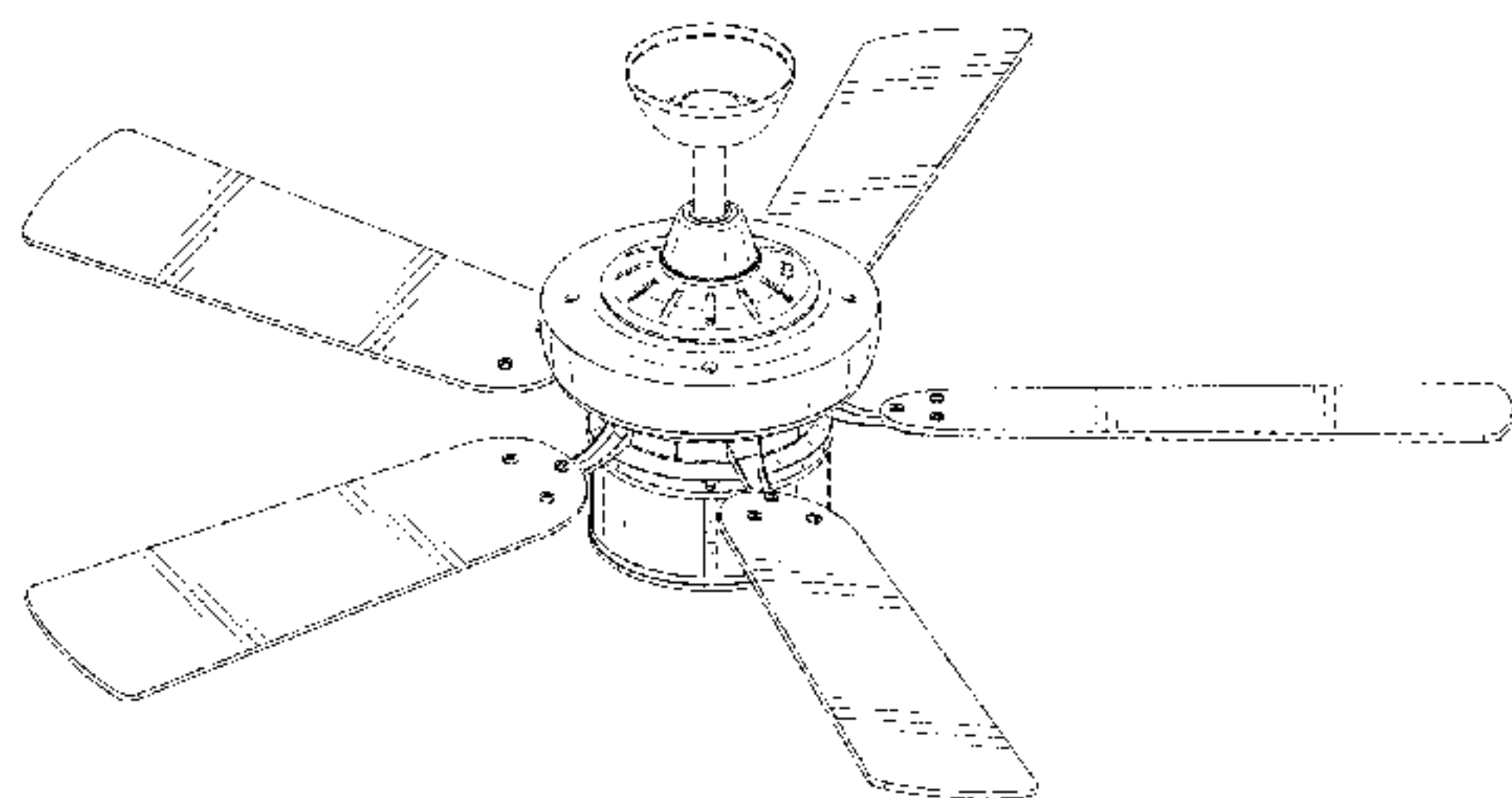
I claim the ornamental design for a combined ceiling fan and light kit, as shown and described.

DESCRIPTION

FIG. 1 is a front perspective view of a combined ceiling fan and light kit showing my new design;
FIG. 2 is a front elevational view thereof;
FIG. 3 is a rear elevational view thereof.
FIG. 4 is a left side elevational view thereof;
FIG. 5 is a right side elevational view thereof;
FIG. 6 is a top plan view thereof; and,
FIG. 7 is a bottom plan view thereof.

The broken lines in the drawings depict environmental subject matter only and form no part of the claimed design.

1 Claim, 5 Drawing Sheets



(56)

References Cited

U.S. PATENT DOCUMENTS

D459,525 S * 6/2002 Barry D26/88
 D485,348 S * 1/2004 Stauffer D23/411
 D510,620 S * 10/2005 Young D23/377
 D510,622 S * 10/2005 Tai D23/411
 D514,695 S * 2/2006 Badarello D23/413
 D515,686 S * 2/2006 Young D23/377
 D520,633 S * 5/2006 Tai D23/411
 D523,951 S * 6/2006 Pickett D23/411
 D533,937 S * 12/2006 Pan D23/411
 D536,440 S * 2/2007 Clymer D23/413
 D547,483 S * 7/2007 Pickett D26/89
 D551,758 S * 9/2007 Shurtleff D23/411
 D555,239 S * 11/2007 Shurtleff D23/413

7,300,254 B2 * 11/2007 Kistner et al. 416/21 OR
 D558,384 S * 12/2007 Bickler et al. D26/88
 D594,540 S * 6/2009 Pan D23/377
 D594,542 S * 6/2009 Pan D23/377
 D594,551 S * 6/2009 Parker et al. D23/413
 D603,954 S * 11/2009 Curtin D23/411
 D620,581 S * 7/2010 Chen D23/377
 D627,046 S * 11/2010 Wang D23/377
 D627,870 S * 11/2010 Wang D23/411
 D627,871 S * 11/2010 Shurtleff D23/411
 D628,286 S * 11/2010 Yang D23/411
 D648,843 S * 11/2011 Chen D23/411
 D671,202 S * 11/2012 Searle D23/377
 D671,631 S * 11/2012 Searle D23/411
 2004/0057831 A1 * 3/2004 Lin 416/210 R
 2008/0089791 A1 * 4/2008 Cartwright et al. 416/244 R

* cited by examiner

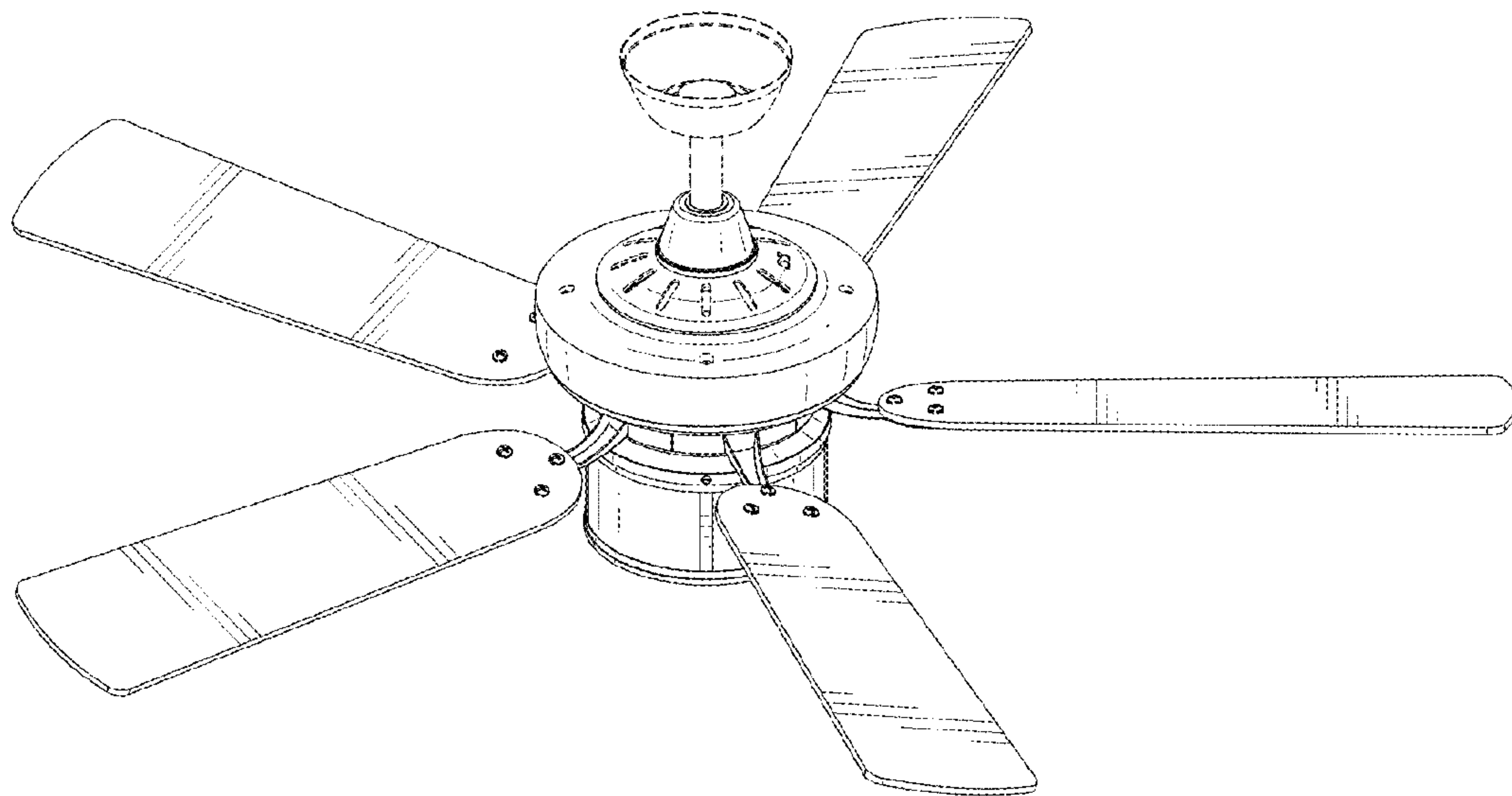


FIG. 1

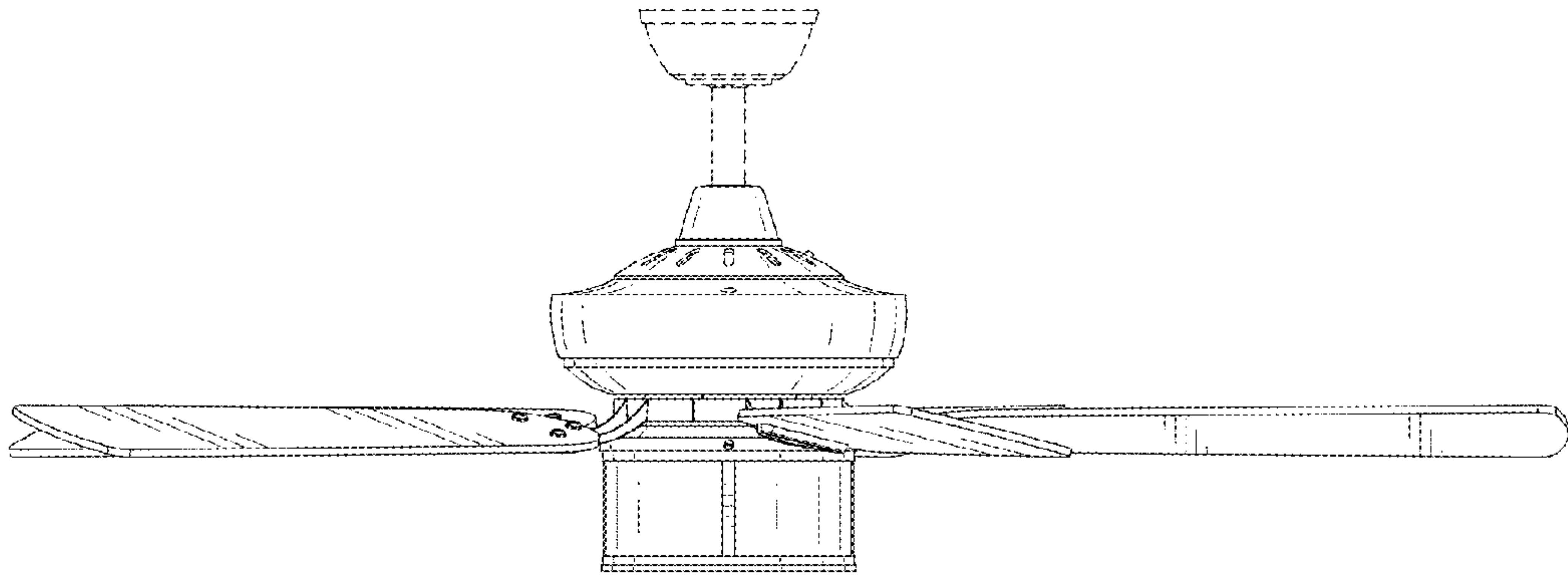


FIG. 2

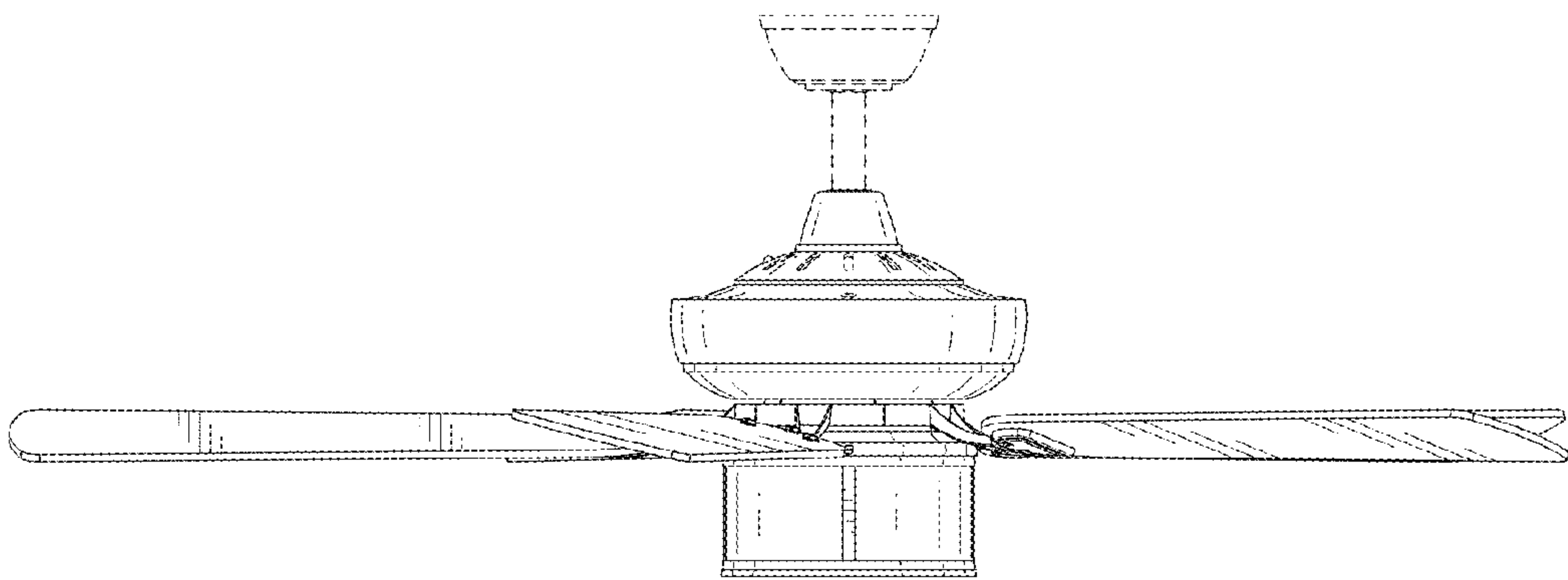


FIG. 3

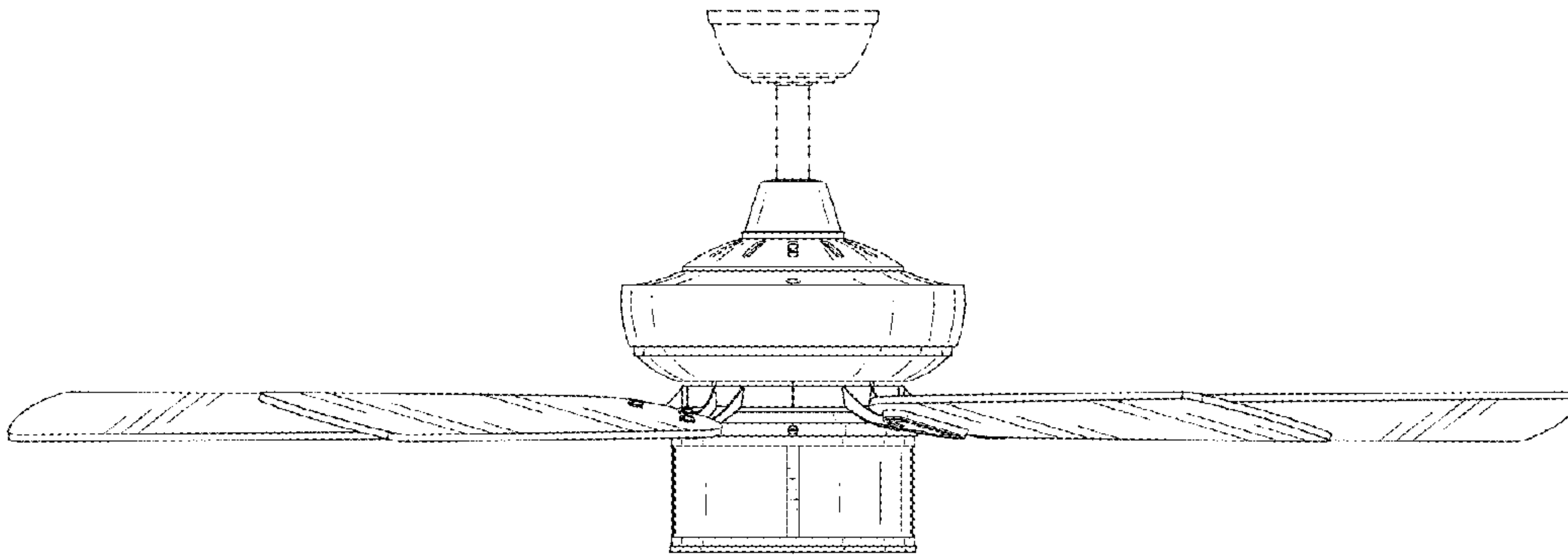


FIG. 4

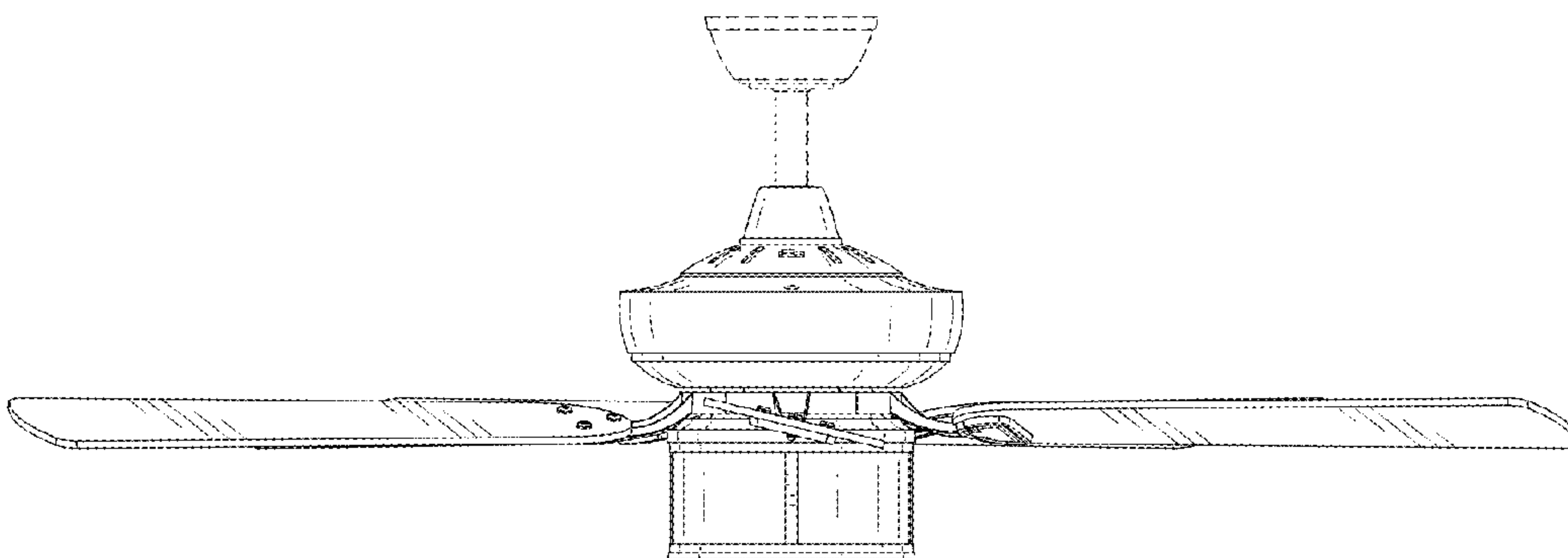


FIG. 5

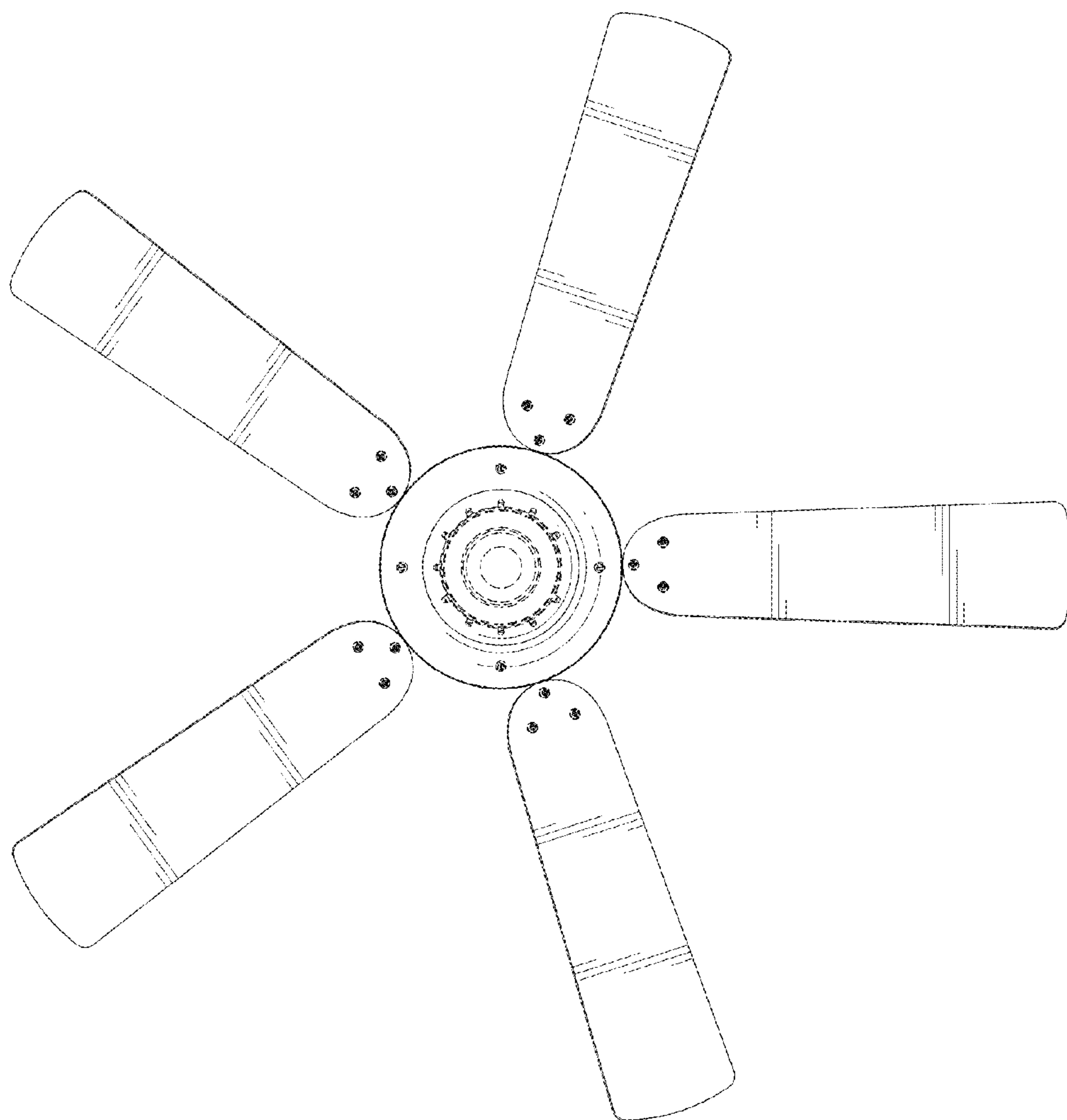


FIG. 6

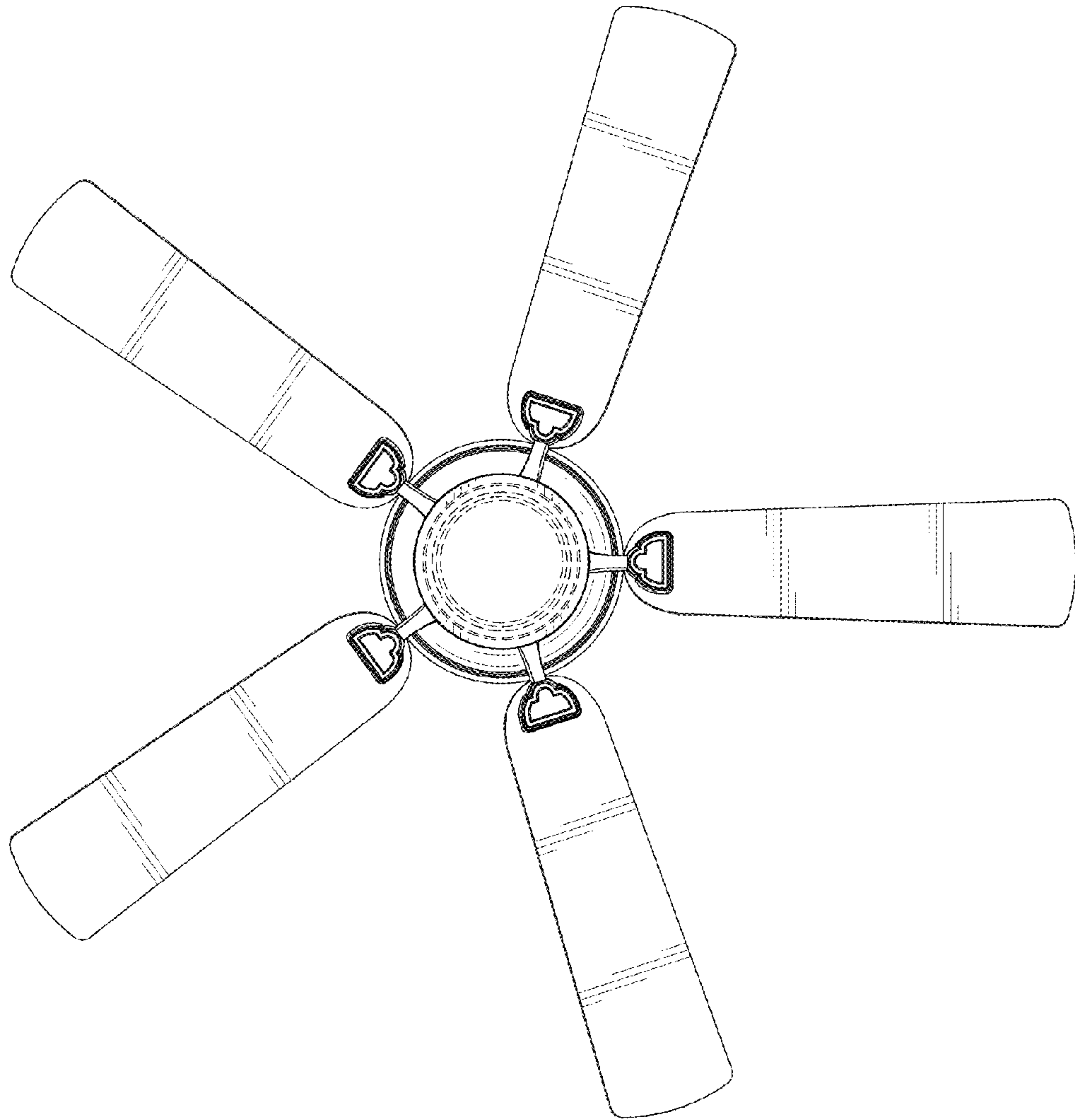


FIG. 7