



US00D710488S

(12) **United States Design Patent**
Alima

(10) **Patent No.:** **US D710,488 S**

(45) **Date of Patent:** **** Aug. 5, 2014**

(54) **VAPORIZER ADAPTER**

(71) Applicant: **Yariv Alima**, Plantation, FL (US)

(72) Inventor: **Yariv Alima**, Plantation, FL (US)

(73) Assignee: **Atmos Nation, LLC**, Davie, FL (US)

(**) Term: **14 Years**

(21) Appl. No.: **29/465,928**

(22) Filed: **Sep. 3, 2013**

(51) **LOC (10) Cl.** **24-04**

(52) **U.S. Cl.**
USPC **D23/363**

(58) **Field of Classification Search**
USPC D23/385-395, 397, 370-373, 365, 351,
D23/354, 399-403, 421, 499, 259, 260, 262,
D23/266; 454/309, 275-277, 284, 287-291,
454/358-363; 52/302.1, 32.07; 285/229,
285/189, 183, 123.1, 15, 114, 110, 424,
285/197; 165/59

See application file for complete search history.

(56) **References Cited**

U.S. PATENT DOCUMENTS

D255,145 S * 5/1980 Nederman D23/262
D258,526 S * 3/1981 Nederman D23/262
5,120,092 A * 6/1992 Gorog et al. 285/15

D387,146 S * 12/1997 Morrison D23/262
D403,056 S * 12/1998 Clivio D23/262
D428,805 S * 8/2000 Sato et al. D8/382
D442,267 S * 5/2001 Kouda D23/262
D594,938 S * 6/2009 Dirneder D23/262
D602,128 S * 10/2009 Williams et al. D23/262
D608,424 S * 1/2010 Katsuta et al. D23/266
7,721,754 B2 * 5/2010 Knaus et al. 137/318
D648,008 S * 11/2011 Percoco et al. D23/262
D691,709 S * 10/2013 Franzino et al. D23/266

* cited by examiner

Primary Examiner — David Muller

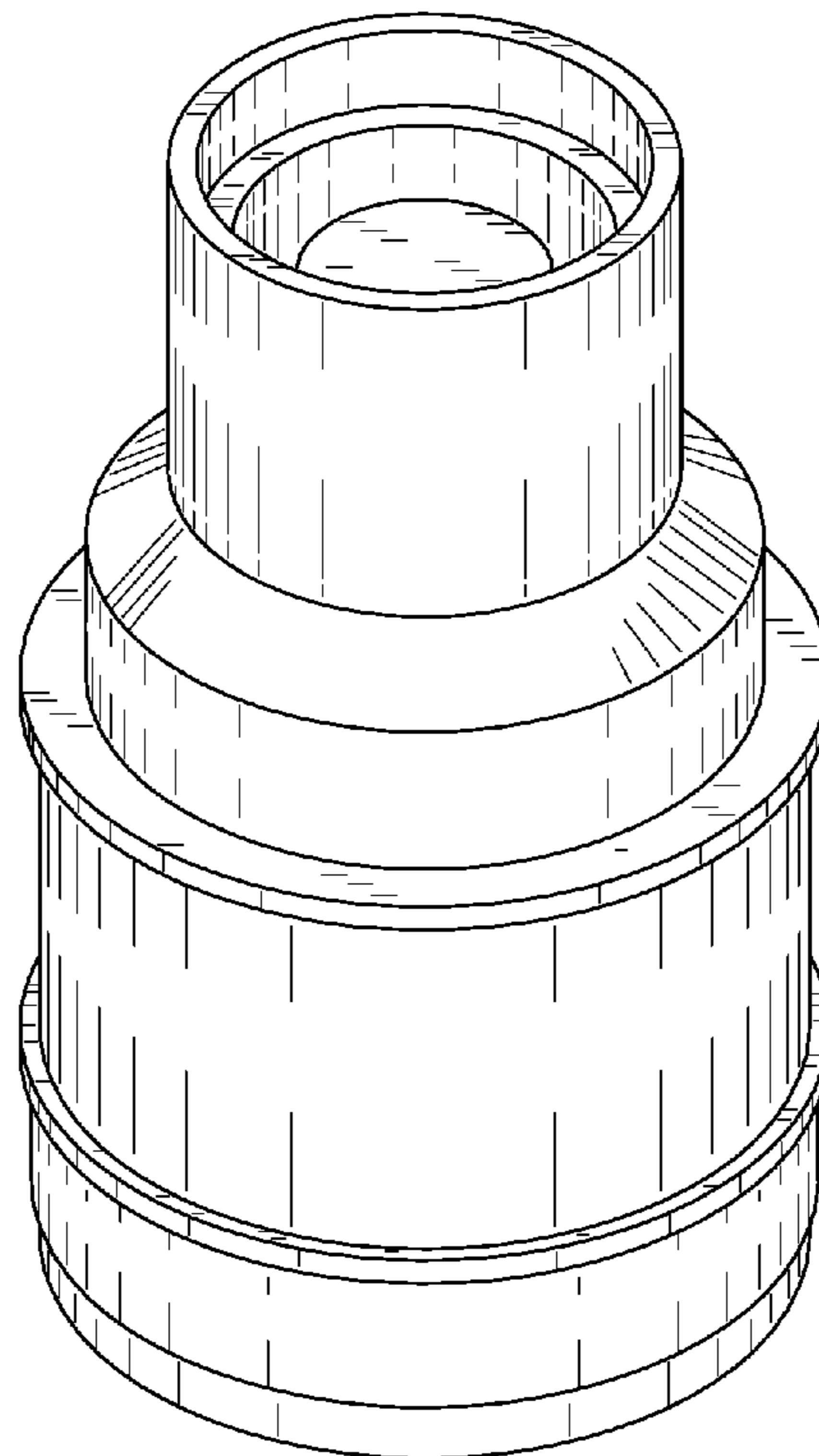
(57) **CLAIM**

The ornamental design for a vaporizer adapter, as shown and described.

DESCRIPTION

FIG. 1 is a perspective view of a vaporizer adapter;
FIG. 2 is a front elevation view thereof;
FIG. 3 is a rear elevation view thereof;
FIG. 4 is a right side elevation view thereof;
FIG. 5 is a left side elevation view thereof;
FIG. 6 is a top plan view thereof;
FIG. 7 is a bottom plan view thereof;
FIG. 8 is a front elevation view thereof; and,
FIG. 9 is a side cross-sectional view thereof taken along line 9-9 of FIG. 8.

1 Claim, 9 Drawing Sheets



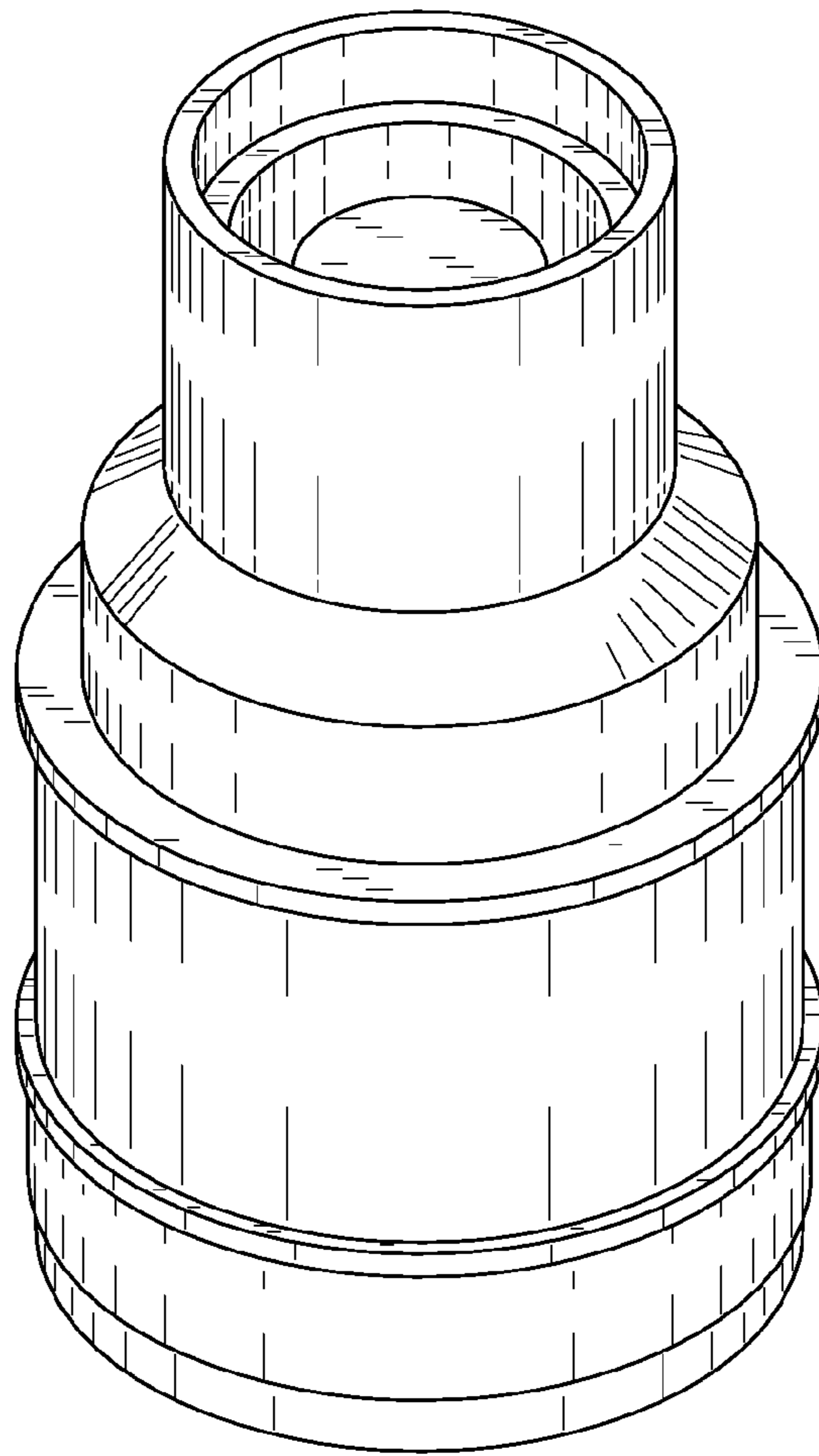


FIG. 1

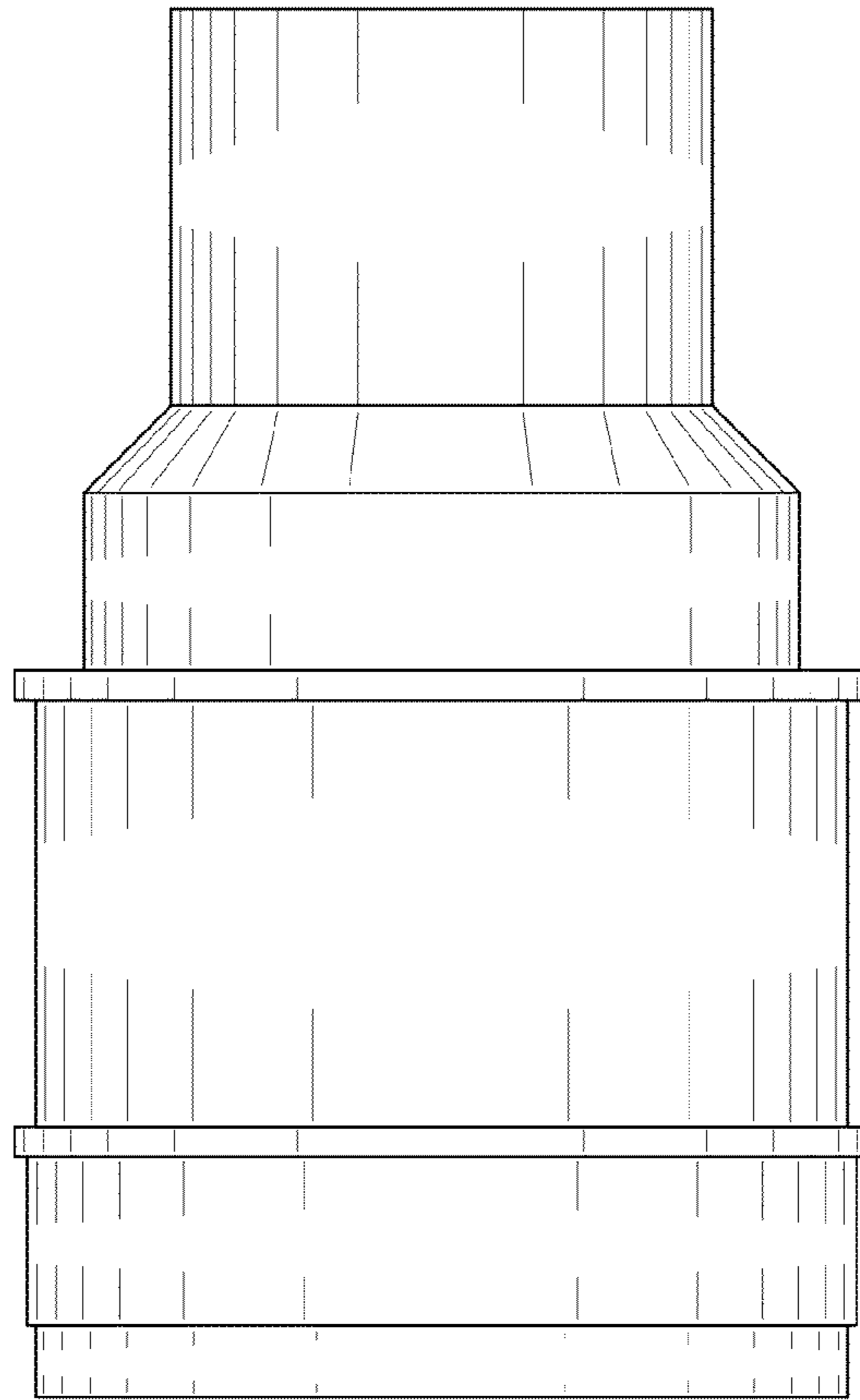


FIG. 2

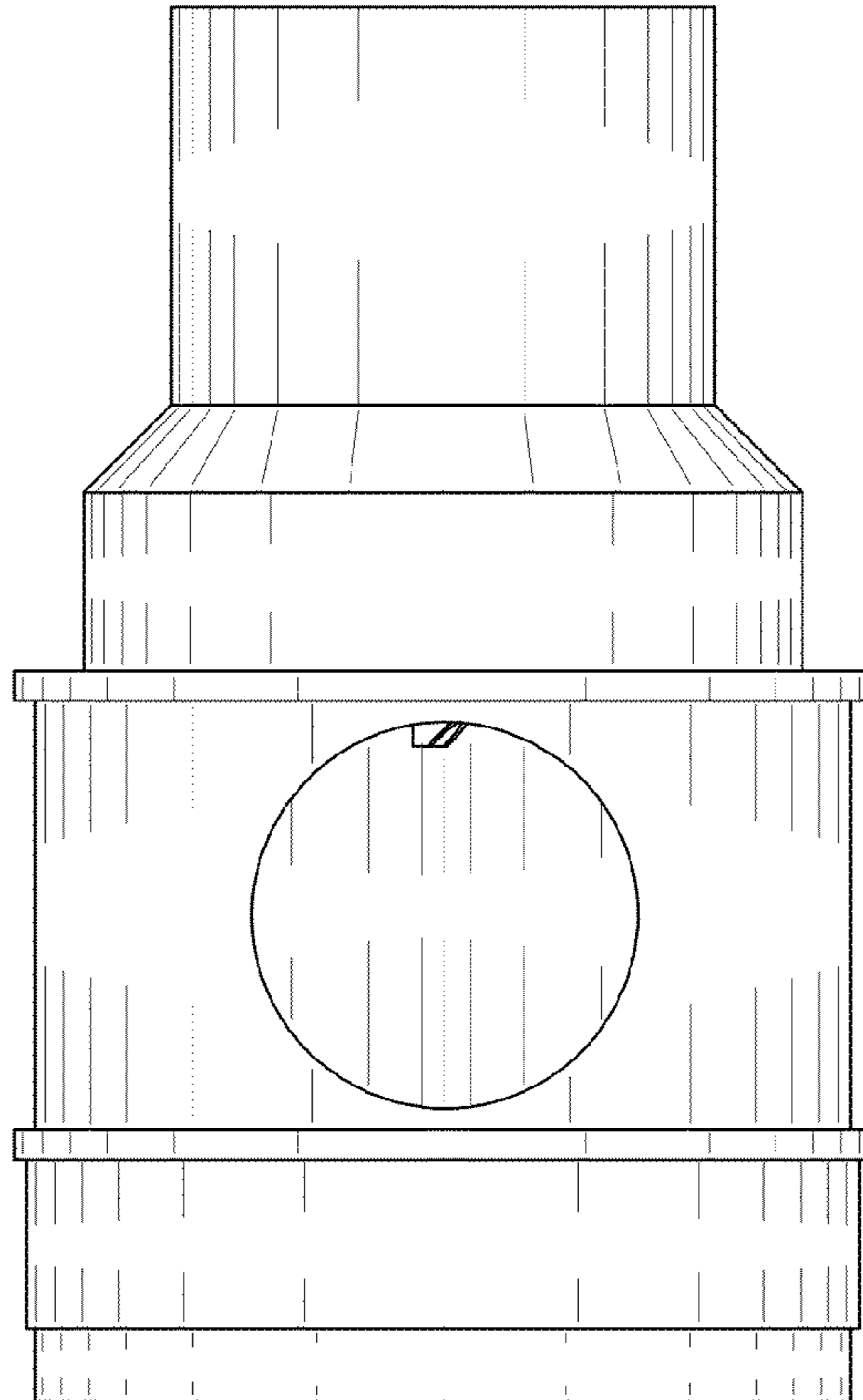


FIG. 3

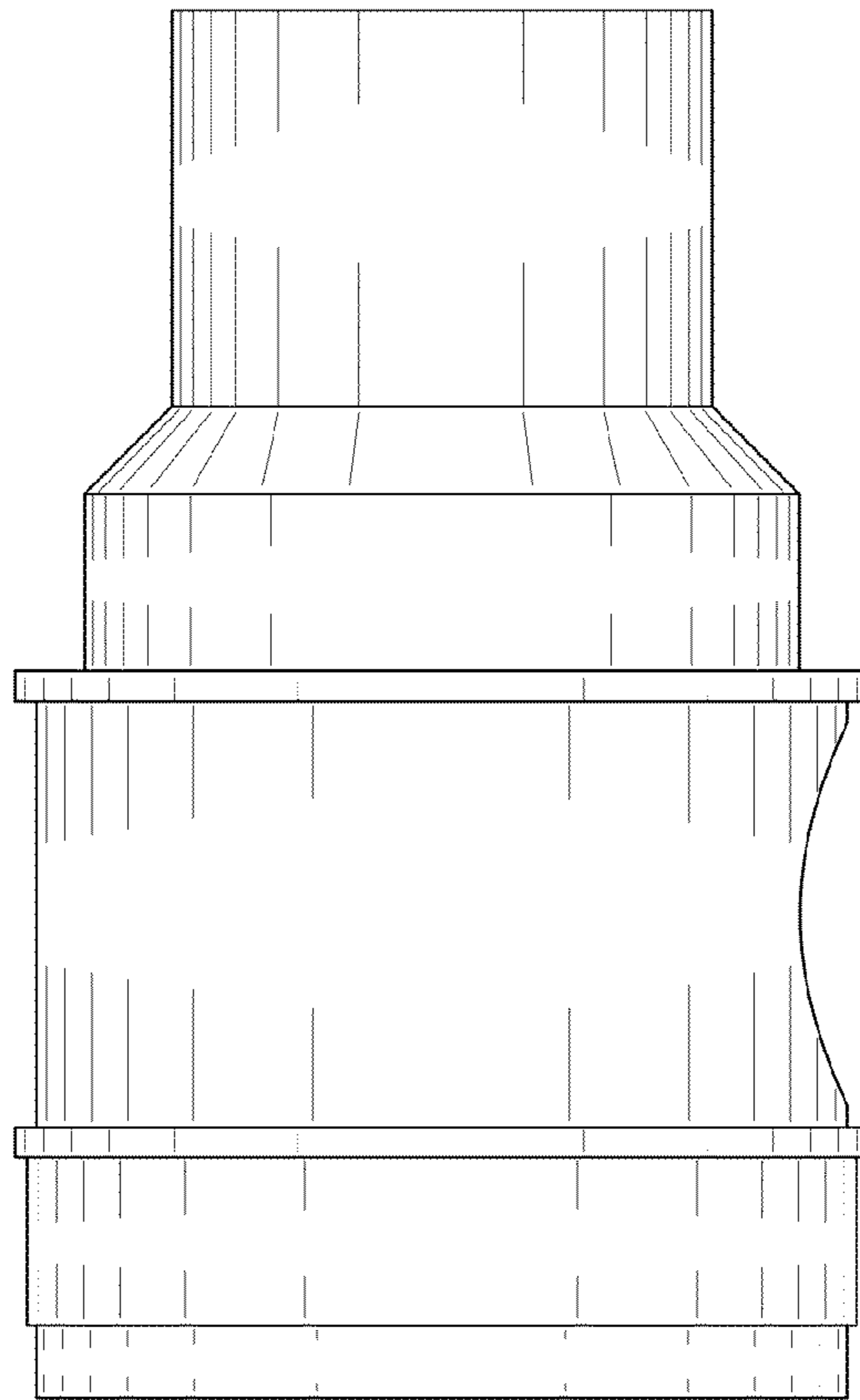


FIG. 4

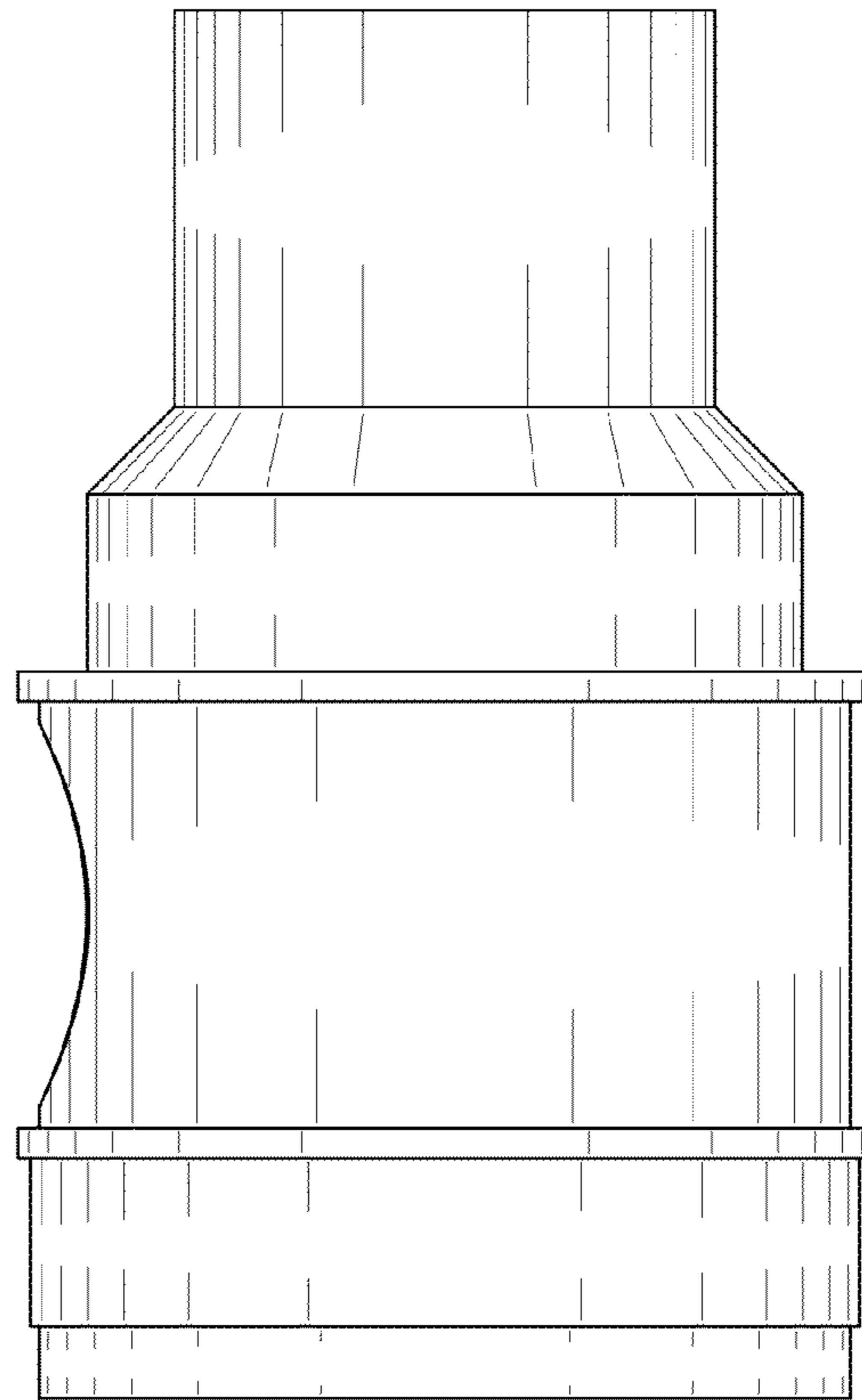


FIG. 5

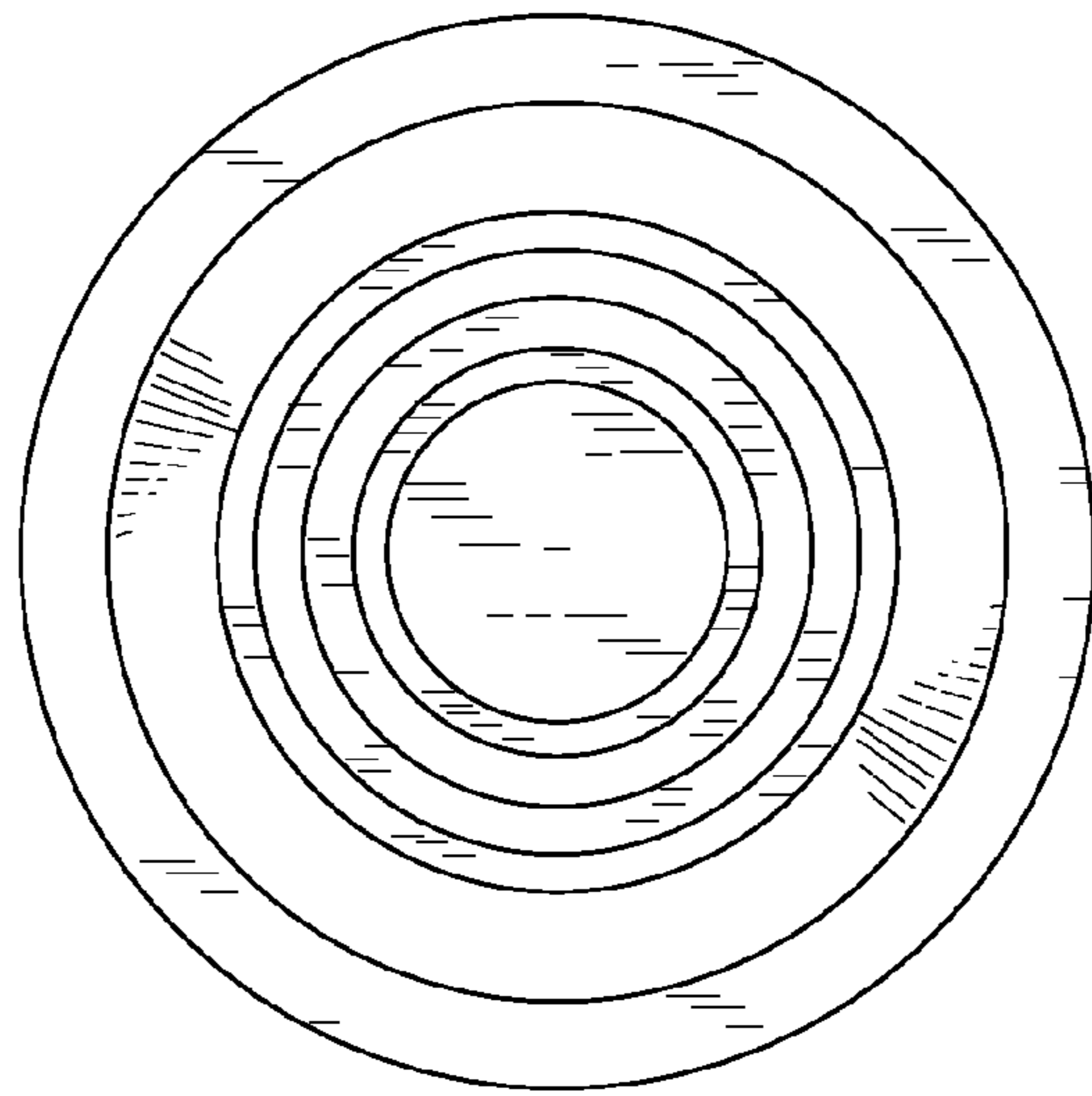


FIG. 6

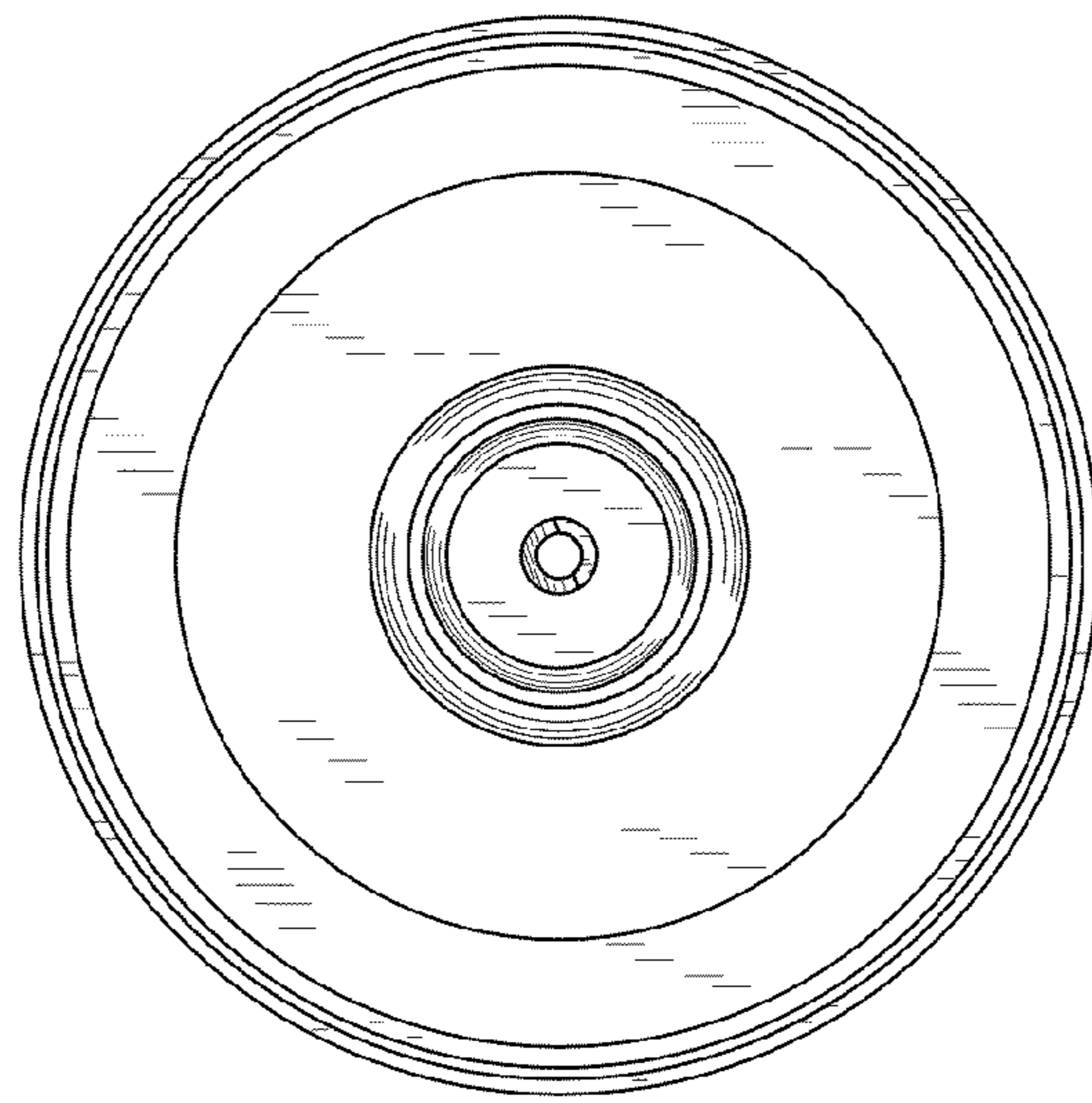


FIG. 7

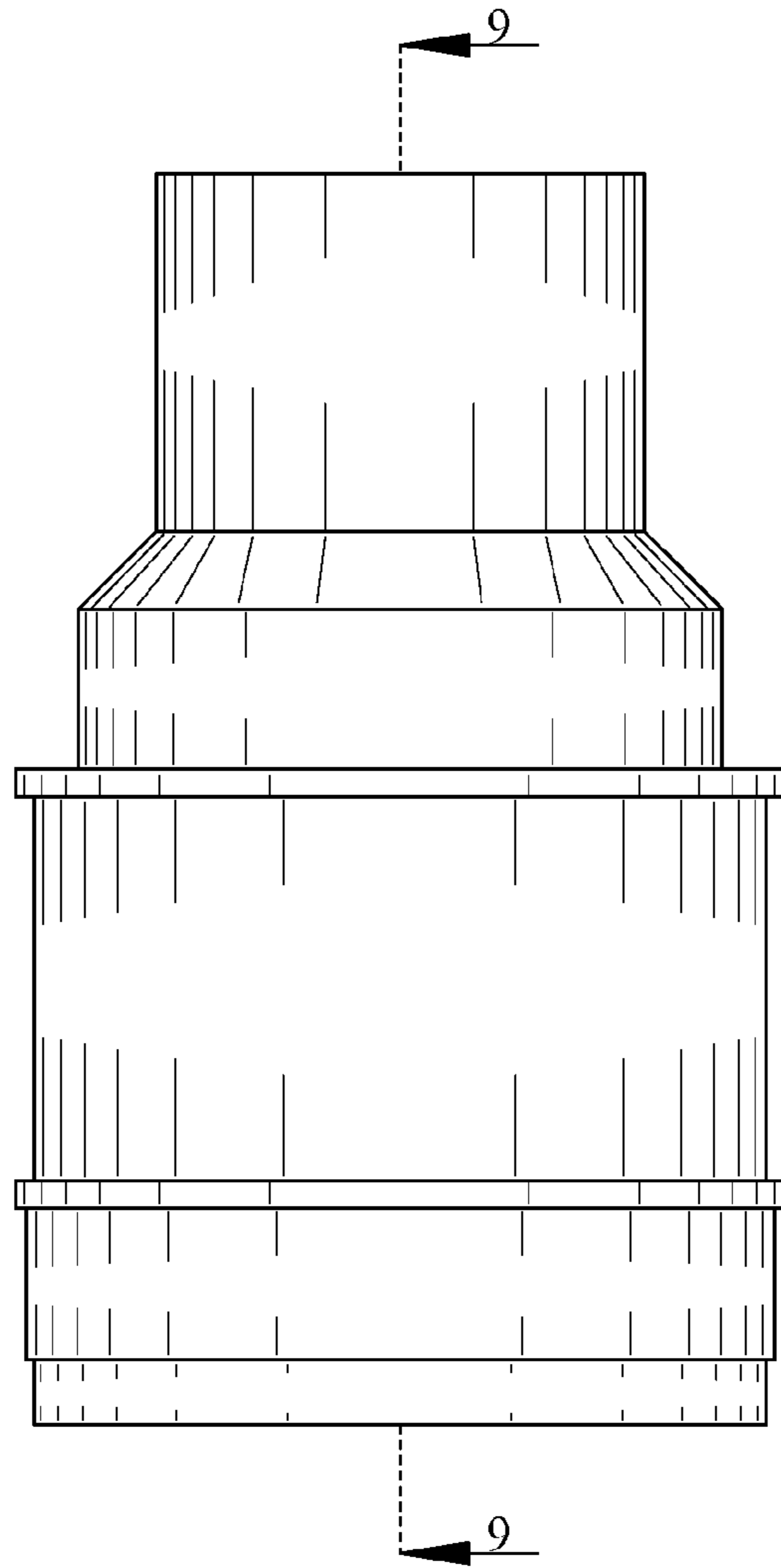


FIG. 8

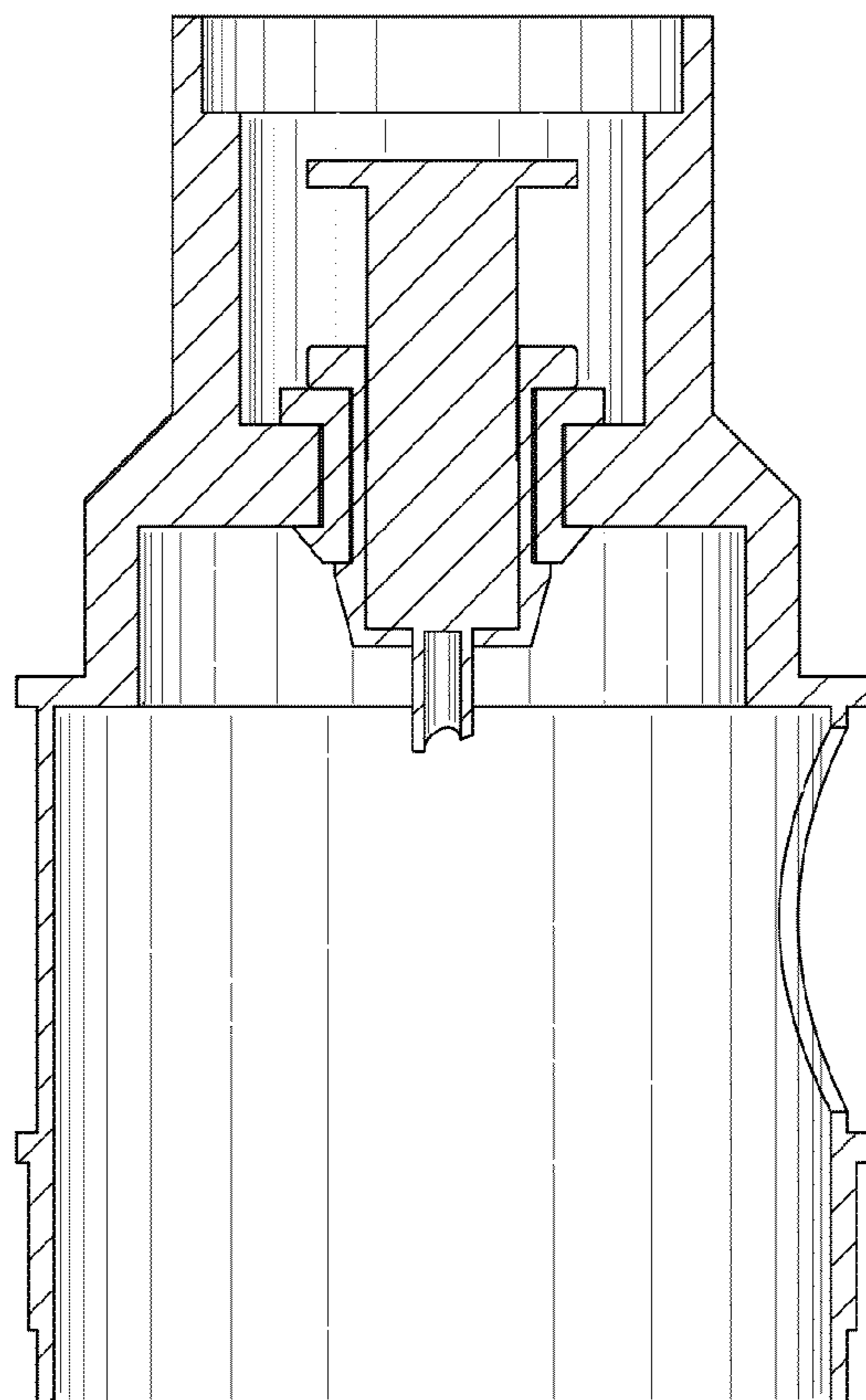


FIG. 9