



US00D710487S

(12) **United States Design Patent**
Lin

(10) **Patent No.:** **US D710,487 S**

(45) **Date of Patent:** **** Aug. 5, 2014**

(54) **STATIC ELIMINATOR**

(71) Applicant: **Hen-Yuan Lin**, New Taipei (TW)

(72) Inventor: **Hen-Yuan Lin**, New Taipei (TW)

(**) Term: **14 Years**

(21) Appl. No.: **29/479,223**

(22) Filed: **Jan. 14, 2014**

(51) **LOC (10) Cl.** **23-04**

(52) **U.S. Cl.**
USPC **D23/355**

(58) **Field of Classification Search**
USPC D23/355-366, 352, 369, 332, 333, 335,
D23/336, 342, 351; 422/120, 122; 55/356,
55/473, 504; 96/97; 261/DIG. 17, DIG. 65,
261/DIG. 88, DIG. 31; 15/301, 1.51;
361/212

See application file for complete search history.

(56) **References Cited**

U.S. PATENT DOCUMENTS

D591,412 S *	4/2009	Rittri et al.	D23/364
D594,960 S *	6/2009	Orihara et al.	D23/381
D595,398 S *	6/2009	Orihara et al.	D23/366
D605,278 S *	12/2009	Orihara et al.	D23/366

D606,642 S *	12/2009	Weggelaar	D23/366
D606,645 S *	12/2009	Orihara et al.	D23/366
7,664,379 B2 *	2/2010	Eisenhauer	392/360
D626,206 S *	10/2010	Orihara et al.	D23/366
D652,132 S *	1/2012	Orihara et al.	D23/366
8,116,060 B2 *	2/2012	Orihara et al.	361/231
D681,181 S *	4/2013	Iovanel	D23/351
D687,937 S *	8/2013	Nemes	D23/332
D688,781 S *	8/2013	Vallinan et al.	D23/355

* cited by examiner

Primary Examiner — David Muller

(74) *Attorney, Agent, or Firm* — Leong C. Lei

(57) **CLAIM**

The ornamental design for a static eliminator, as shown and described.

DESCRIPTION

FIG. 1 is a perspective view of a static eliminator showing my new design;

FIG. 2 is a front elevational view thereof;

FIG. 3 is a rear elevational view thereof;

FIG. 4 is a left side elevational view thereof;

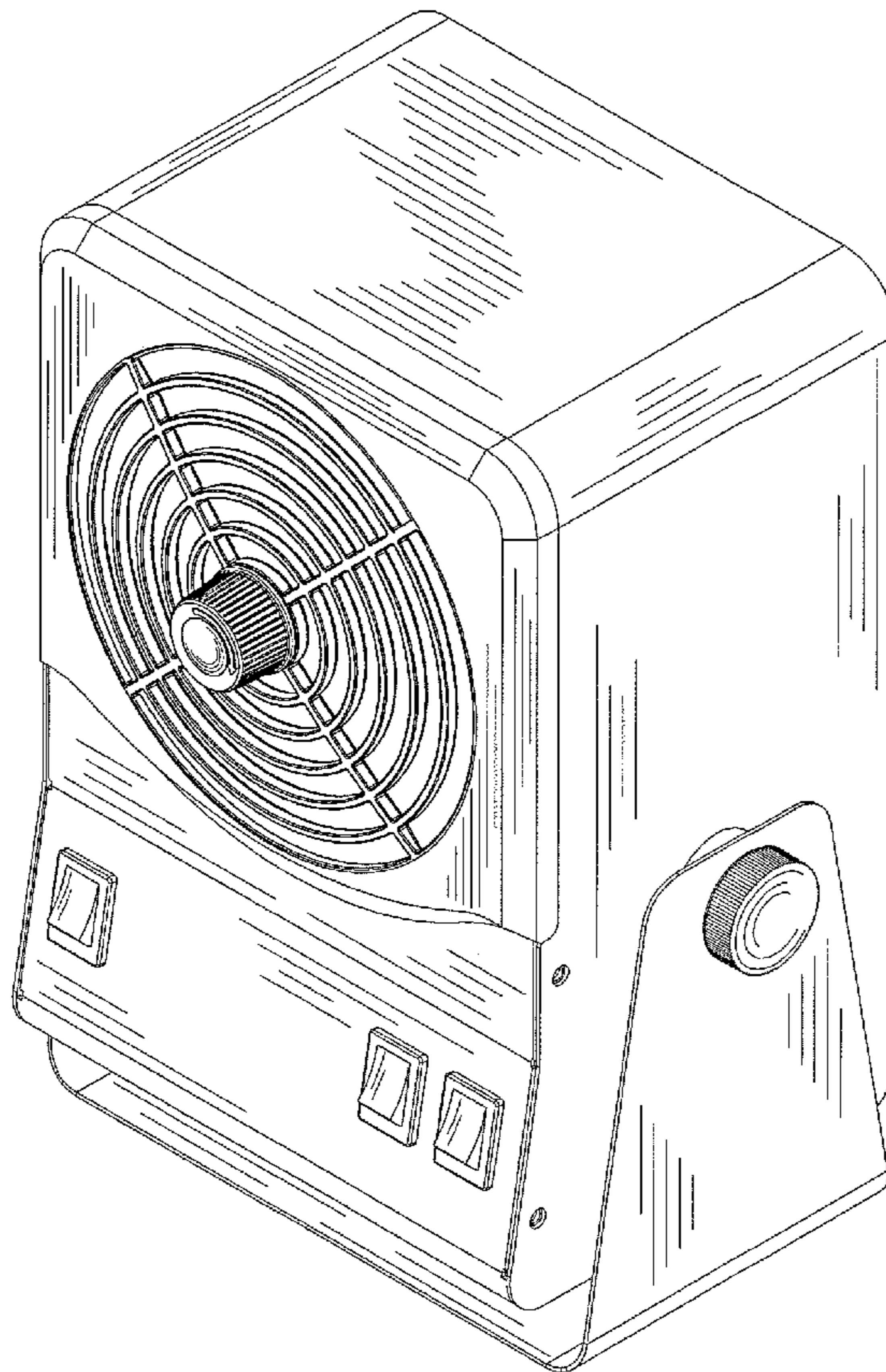
FIG. 5 is a right side elevational view thereof;

FIG. 6 is a top plan view thereof;

FIG. 7 is a bottom plan view thereof; and,

FIG. 8 is a rear perspective view thereof.

1 Claim, 8 Drawing Sheets



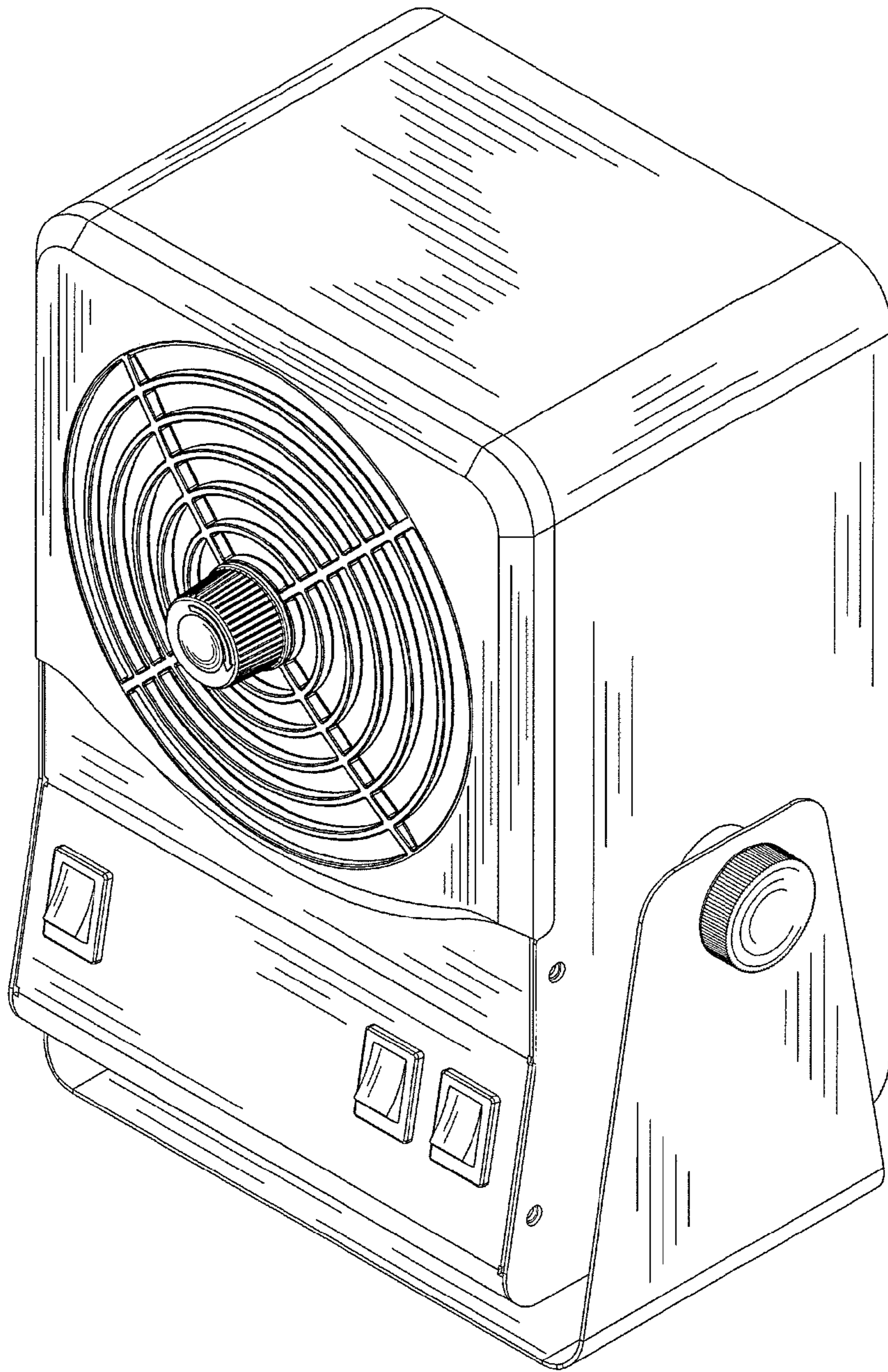


FIG.1

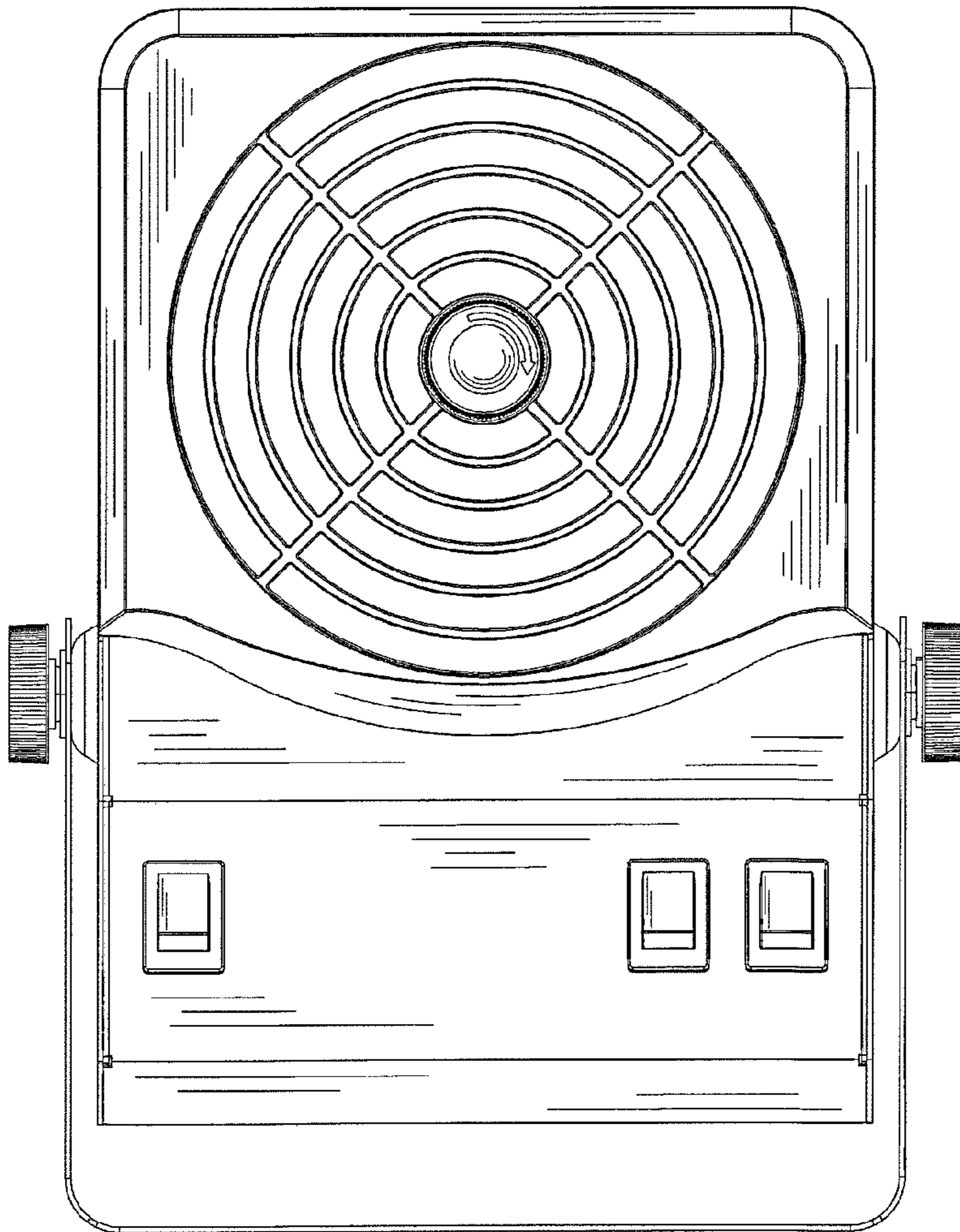


FIG.2

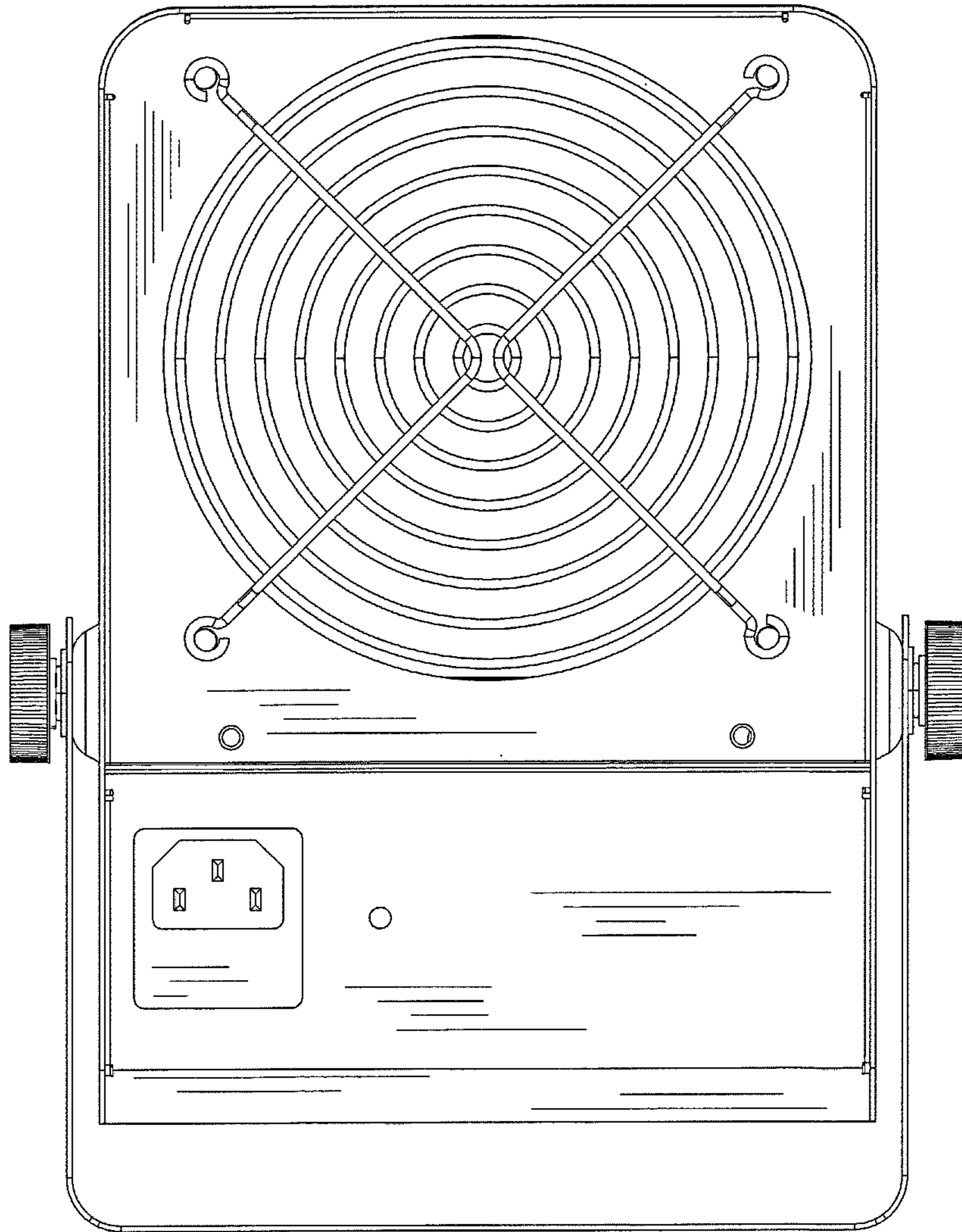


FIG.3

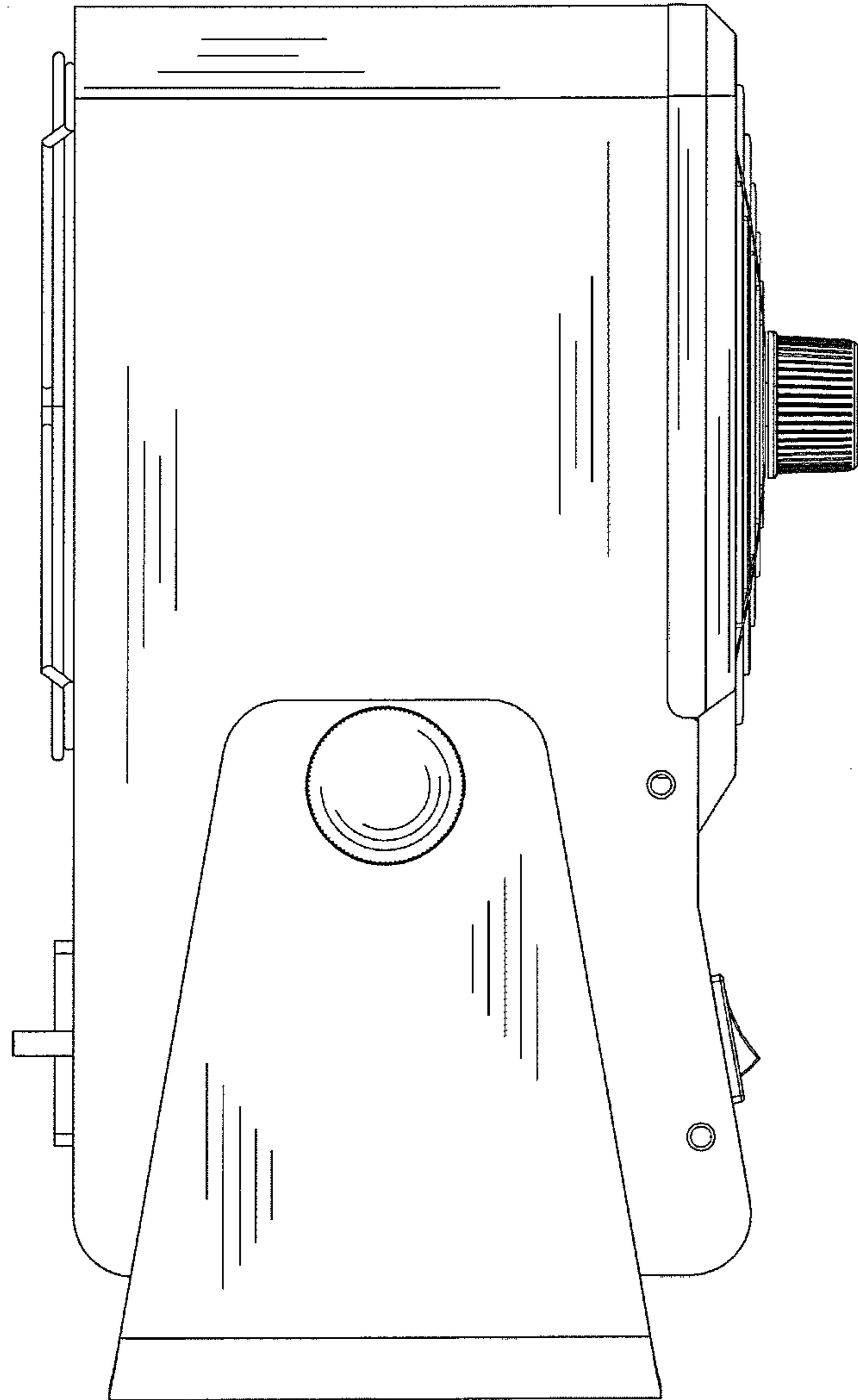


FIG.4

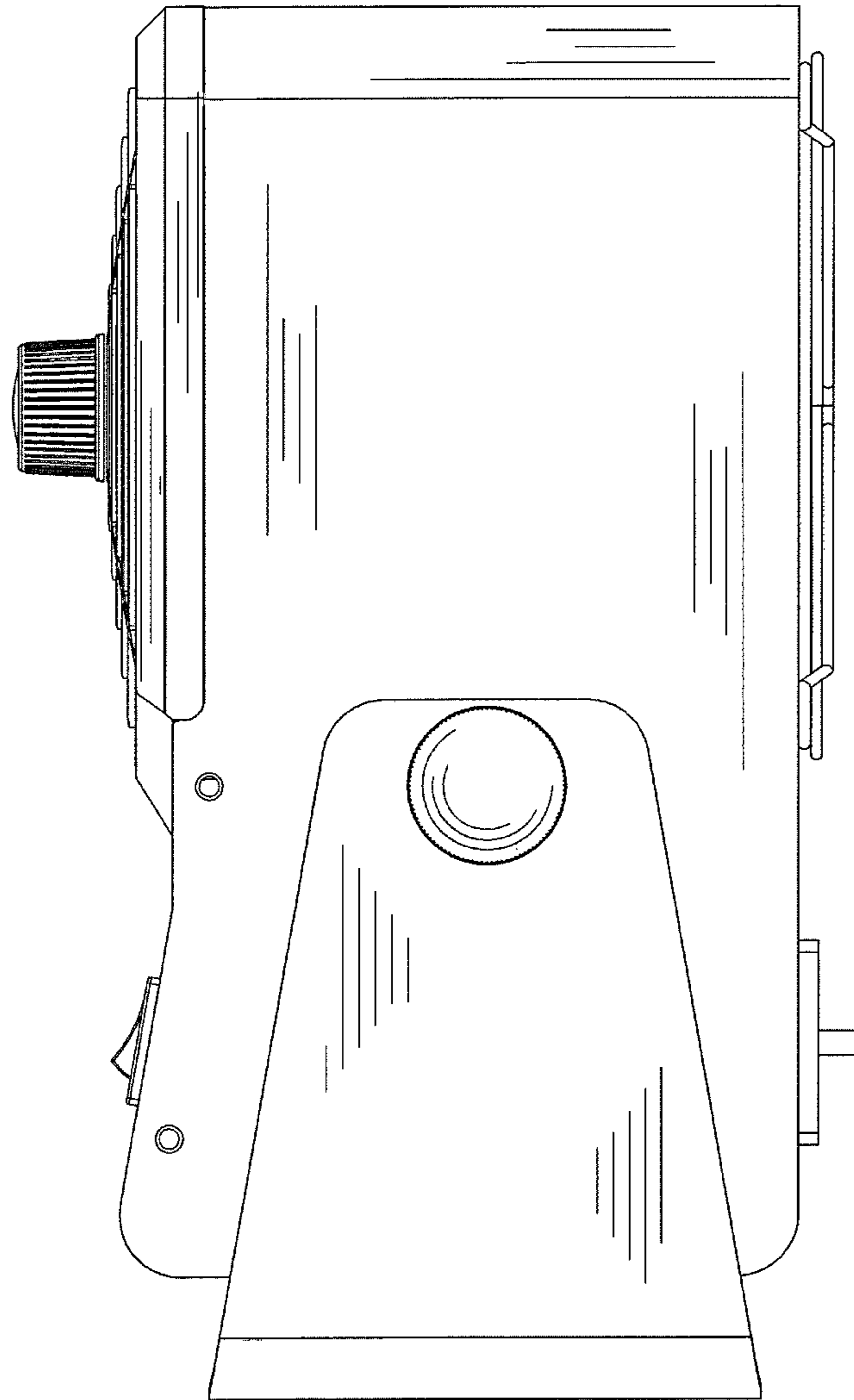


FIG.5

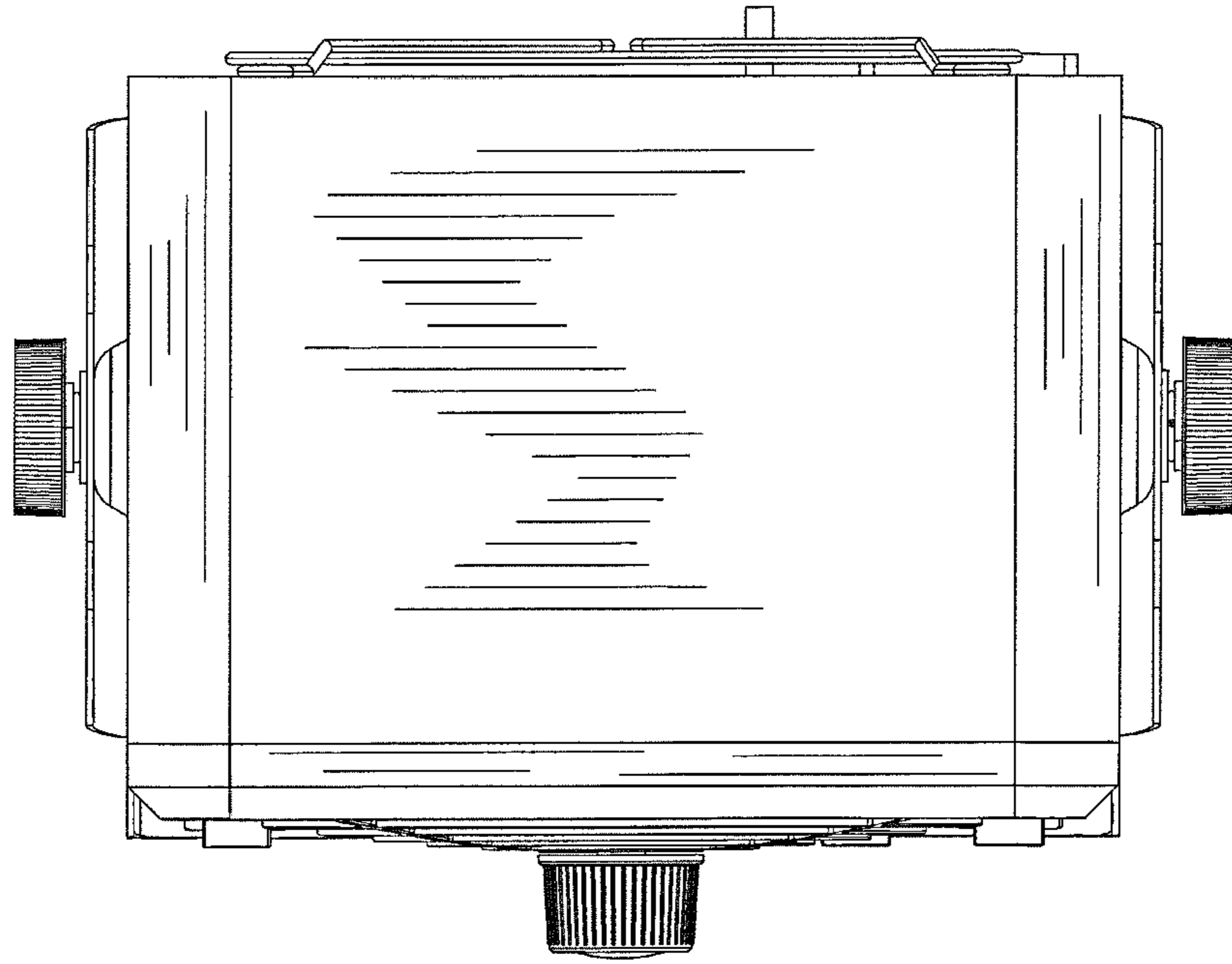


FIG.6

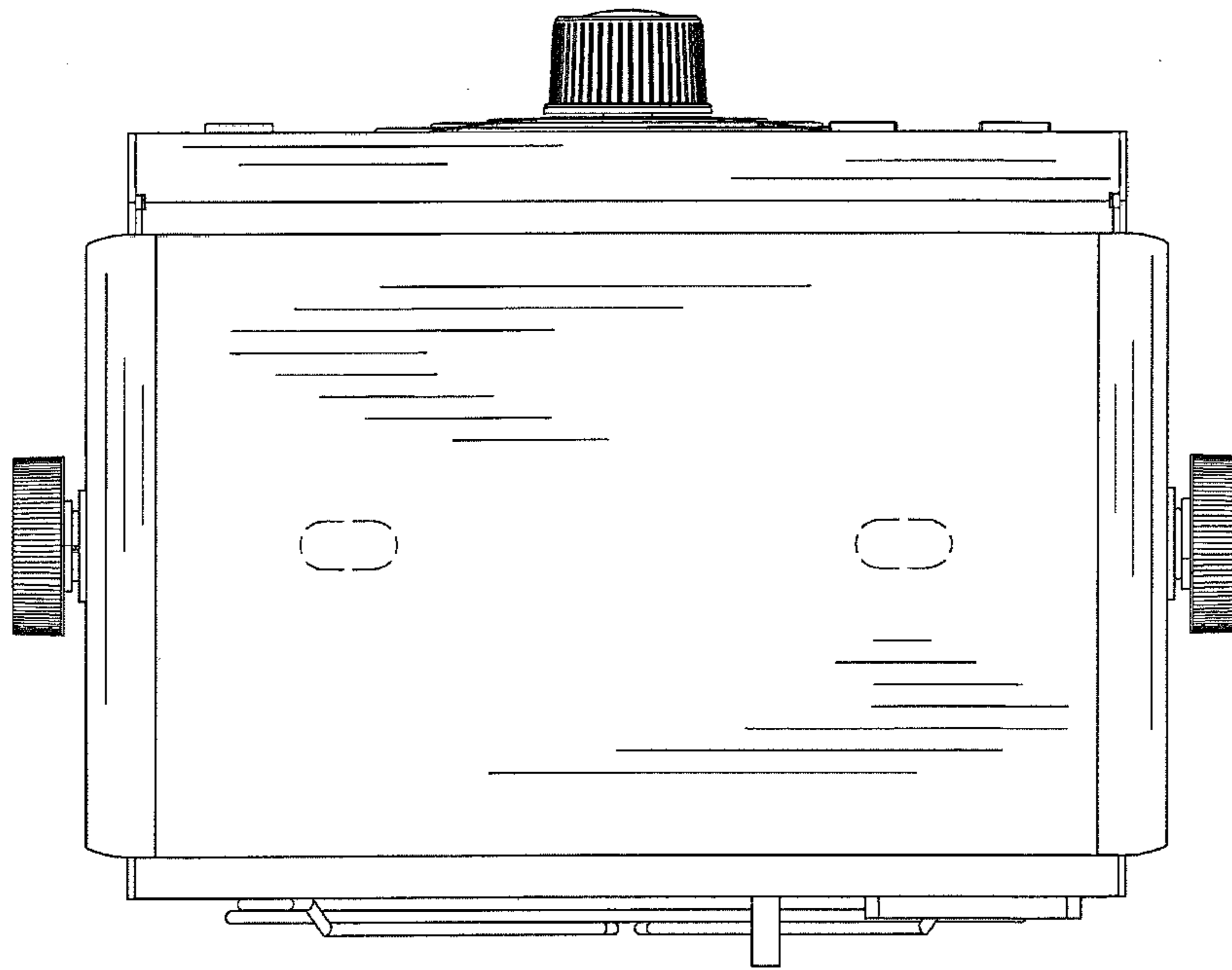


FIG.7

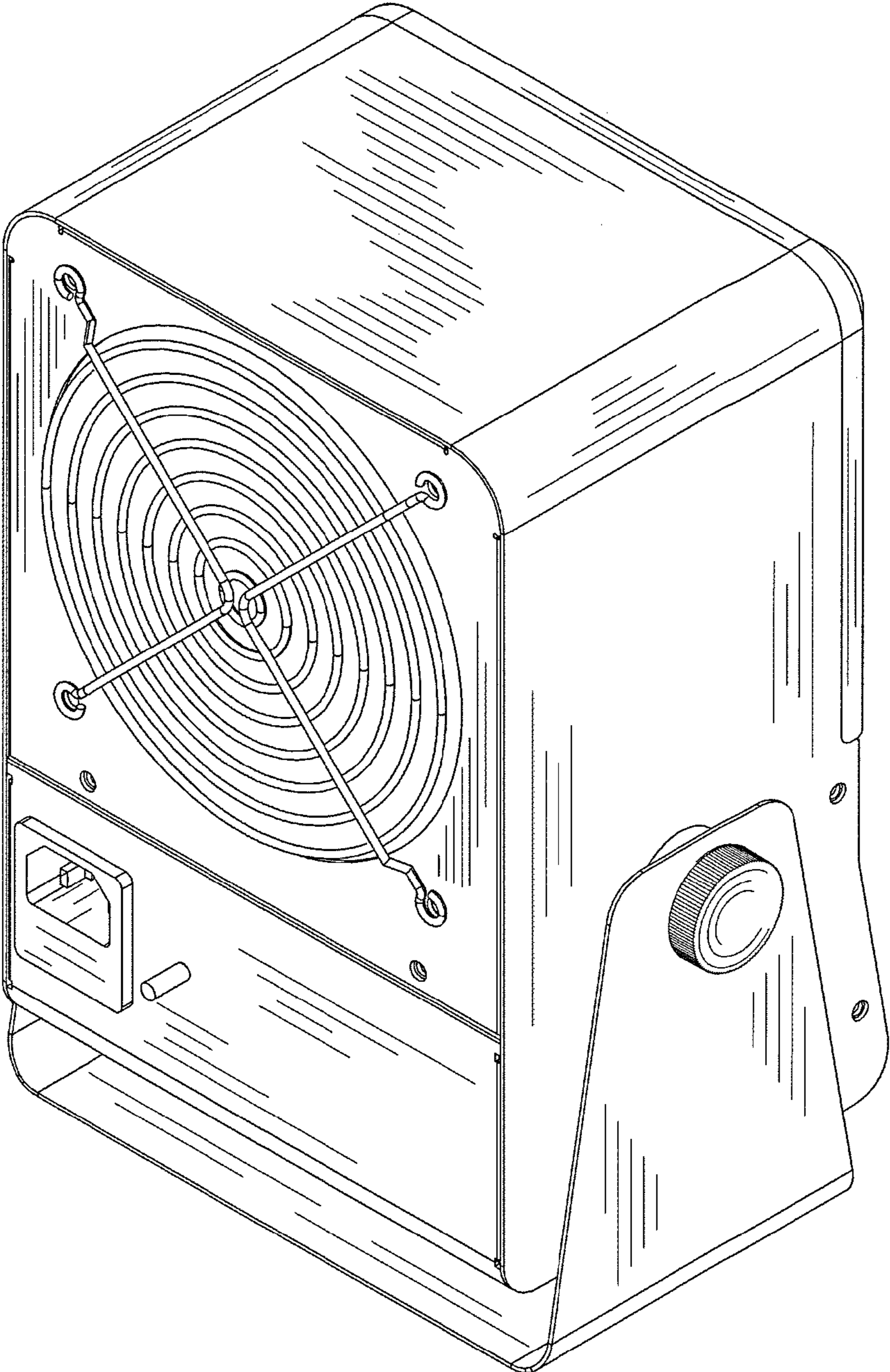


FIG.8