



US00D710485S

(12) **United States Design Patent**
Nudo

(10) **Patent No.:** **US D710,485 S**

(45) **Date of Patent:** **** Aug. 5, 2014**

(54) **COUPLING**

(76) Inventor: **P. J. Nudo**, Ramona, CA (US)

(**) Term: **14 Years**

(21) Appl. No.: **29/427,483**

(22) Filed: **Jul. 18, 2012**

(51) **LOC (10) Cl.** **23-01**

(52) **U.S. Cl.**
USPC **D23/262**; D9/437

(58) **Field of Classification Search**
USPC D23/259–269, 386, 393; 285/12, 63,
285/88, 405; 4/252.4; D9/435–437
See application file for complete search history.

(56) **References Cited**

U.S. PATENT DOCUMENTS

2,165,163	A *	7/1939	Waters	285/91
3,405,828	A *	10/1968	St Pierre	215/206
D227,763	S *	7/1973	Hand	D23/262
D234,847	S *	4/1975	Hoffman	D23/262
D247,182	S *	2/1978	Ebert	D23/262
D263,992	S *	4/1982	Ebert	D23/262
D275,984	S *	10/1984	Shaw	D23/260
4,634,013	A	1/1987	Bar-Kokhba		
4,664,276	A	5/1987	Taragna et al.		
4,709,822	A	12/1987	Vataru		
D296,581	S *	7/1988	Hattori	D23/262
4,827,539	A *	5/1989	Kiziah	4/252.4
5,007,546	A	4/1991	Rose et al.		
5,090,582	A	2/1992	Art		
D327,120	S *	6/1992	Ambrosi	D23/262
5,213,236	A	5/1993	Brown		
D336,510	S *	6/1993	Sawtelle	D23/262
D347,467	S *	5/1994	Medvick	D23/262
D349,758	S *	8/1994	Hallbach et al.	D23/259
D385,011	S *	10/1997	Healy	D23/214
5,709,311	A	1/1998	Butler et al.		
D430,482	S *	9/2000	Stout, Jr.	D8/382
D446,298	S *	8/2001	Thurman	D23/393

D494,670	S *	8/2004	Snyder	D23/393
D521,147	S *	5/2006	Sandman et al.	D23/393
D529,598	S *	10/2006	Sandman et al.	D23/393
D551,336	S *	9/2007	Haggkvist	D23/386
D557,386	S *	12/2007	Darce	D23/269
D557,771	S *	12/2007	Darce	D23/269
D594,937	S *	6/2009	Price et al.	D23/259
D646,373	S *	10/2011	Liebson et al.	D23/393

(Continued)

Primary Examiner — Eric Goodman

Assistant Examiner — John Reickel

(74) *Attorney, Agent, or Firm* — Mark Wisnosky

(57) **CLAIM**

The ornamental design for a coupling, as shown and described.

DESCRIPTION

FIG. 1 is a perspective view of an invented coupling showing the top side.

FIG. 2 is a second perspective view of the embodiment shown in FIG. 1 showing the bottom side.

FIG. 3 is a front view of the embodiment shown in FIG. 1.

FIG. 4 is a back view of the embodiment shown in FIG. 1.

FIG. 5 is a left side view of the embodiment shown in FIG. 1.

FIG. 6 is a right side view of the embodiment shown in FIG. 1.

FIG. 7 is a top view of the embodiment of FIG. 1.

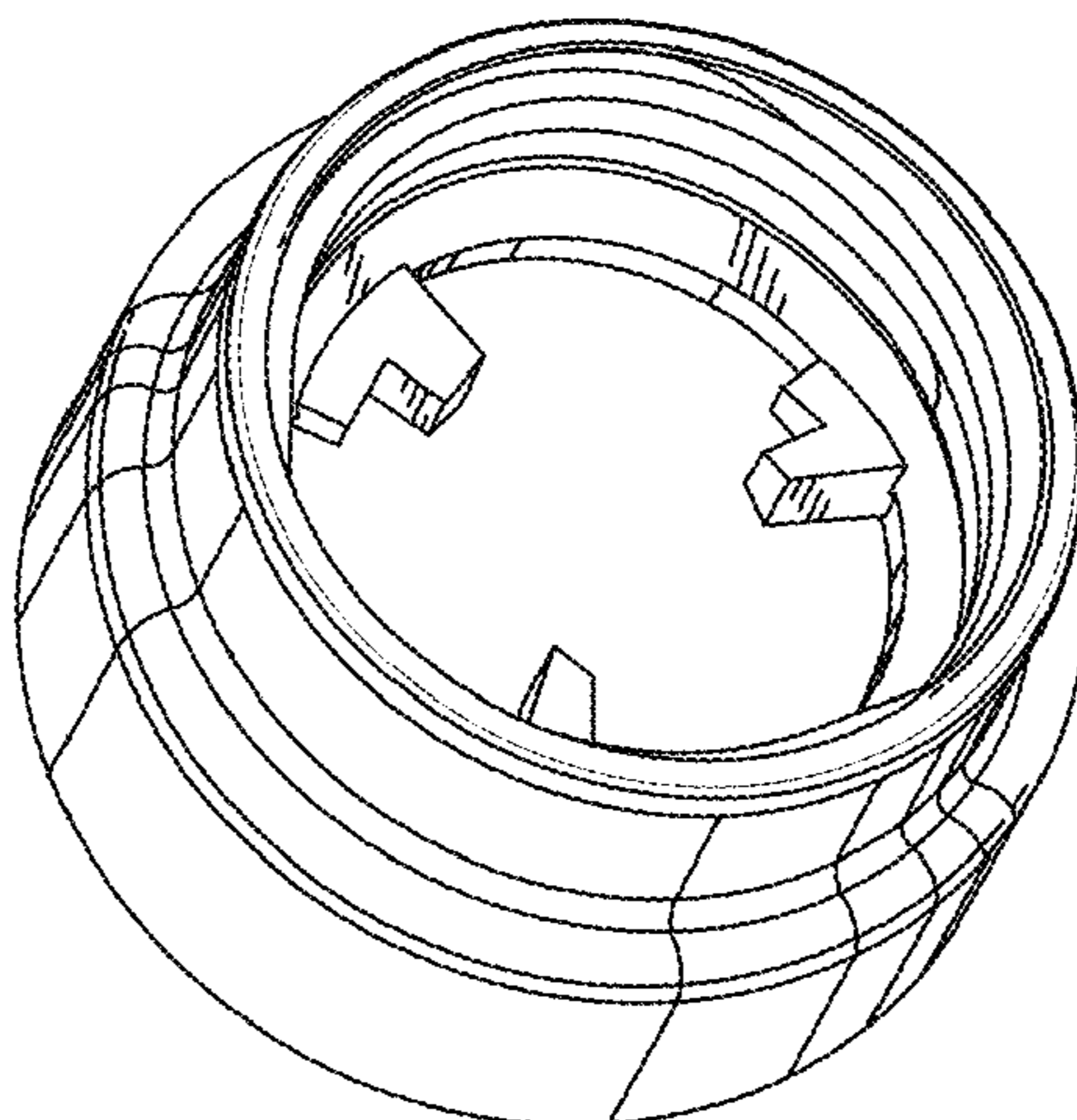
FIG. 8 is a bottom view of the embodiment of FIG. 1.

FIG. 9 is a front view of the embodiment shown in FIG. 1 showing the embodiment installed between two containers; and,

FIG. 10 is a perspective view showing the top side of the embodiment shown in FIG. 1 further showing the embodiment installed between two containers.

The broken line is included for the purpose of illustrating environmental structure and forms no part of the claimed design.

1 Claim, 5 Drawing Sheets



US D710,485 S

Page 2

(56)

References Cited

U.S. PATENT DOCUMENTS

D651,696 S *	1/2012	Giordano	D23/262	
D665,071 S *	8/2012	Goel et al.	D23/386	* cited by examiner
D681,176 S *	4/2013	Chacko	D23/269	
D695,138 S *	12/2013	Ball	D9/772	
D699,822 S *	2/2014	Beaudoin	D23/267	

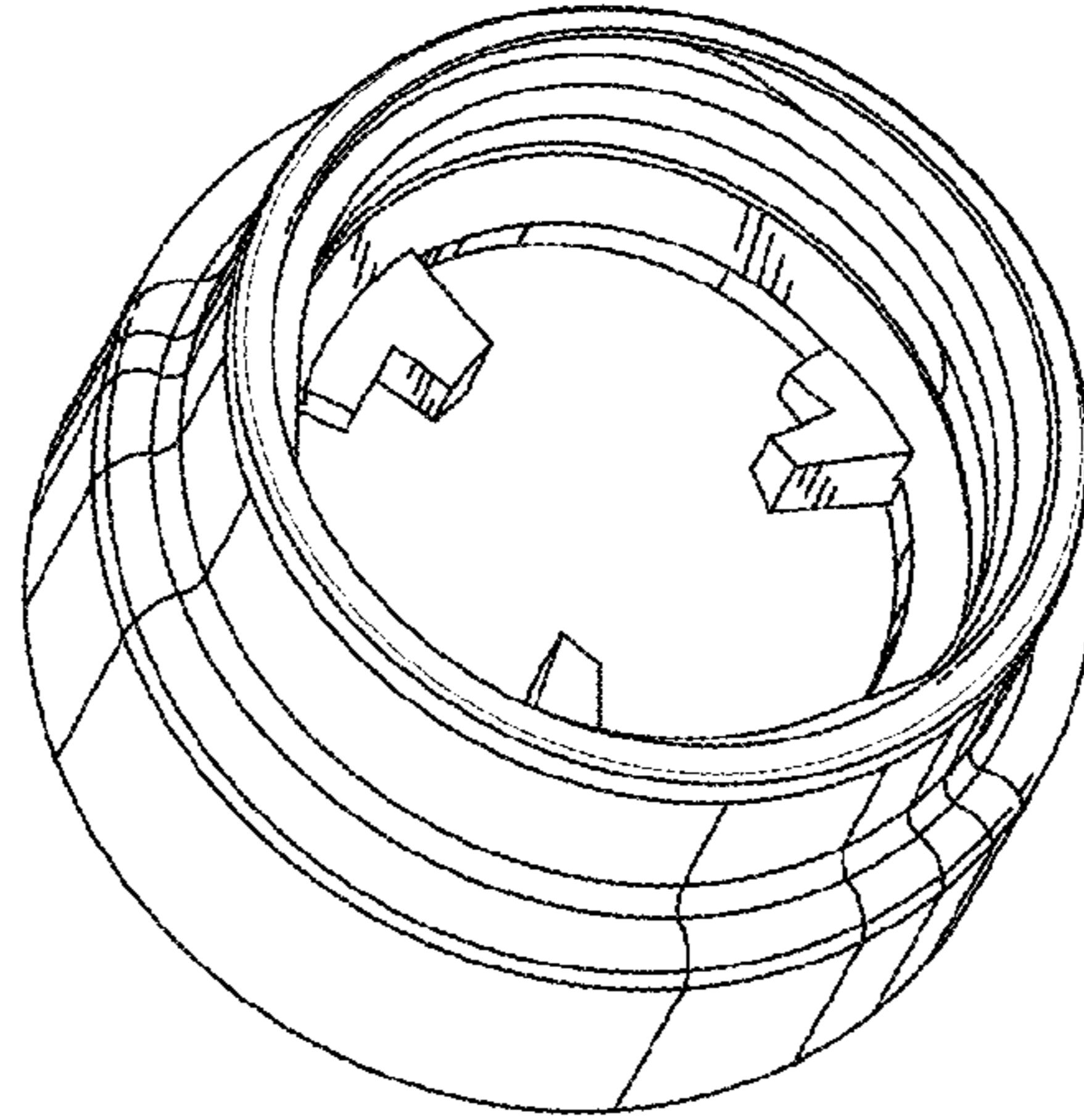


Fig. 1

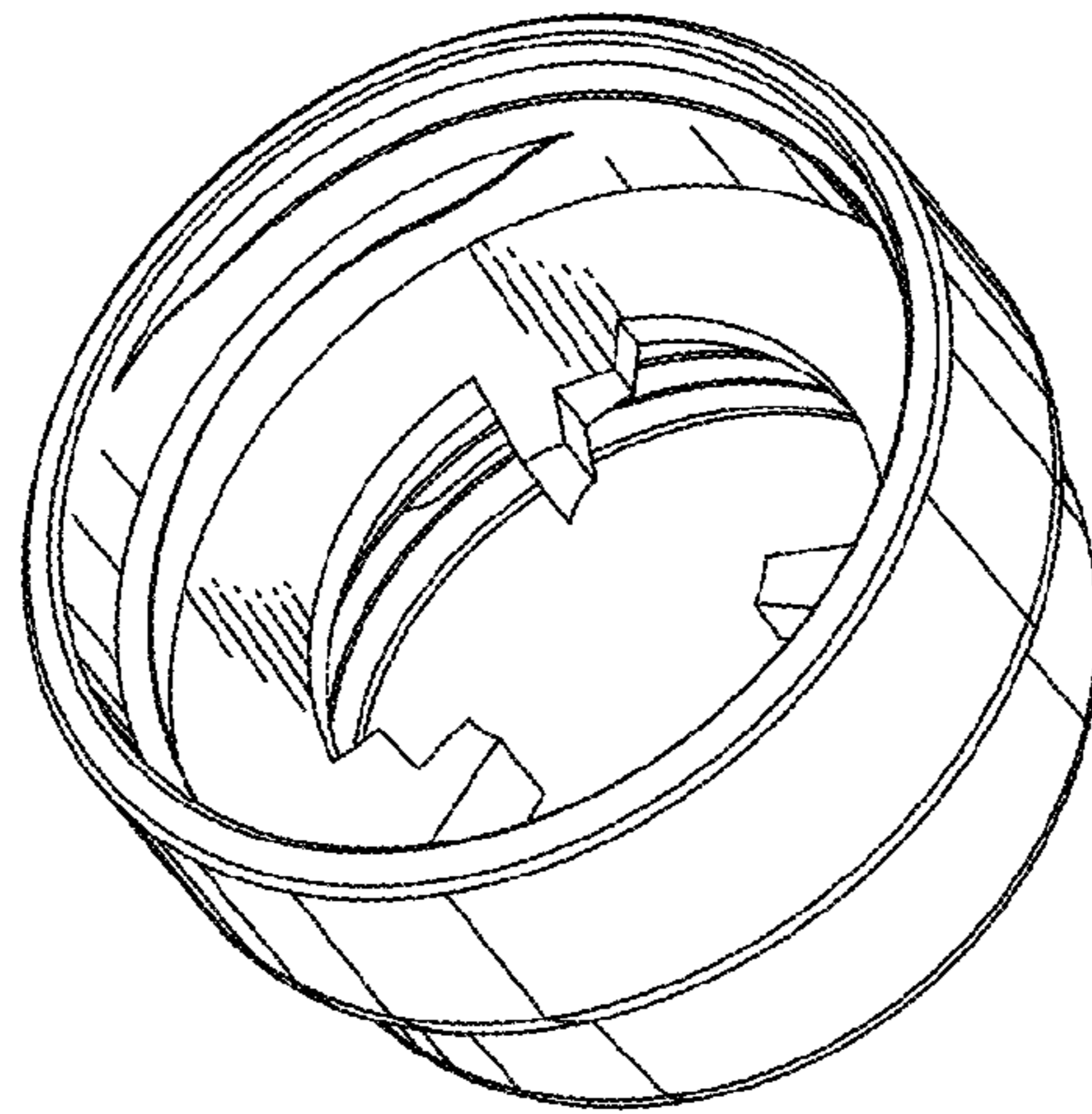


Fig. 2

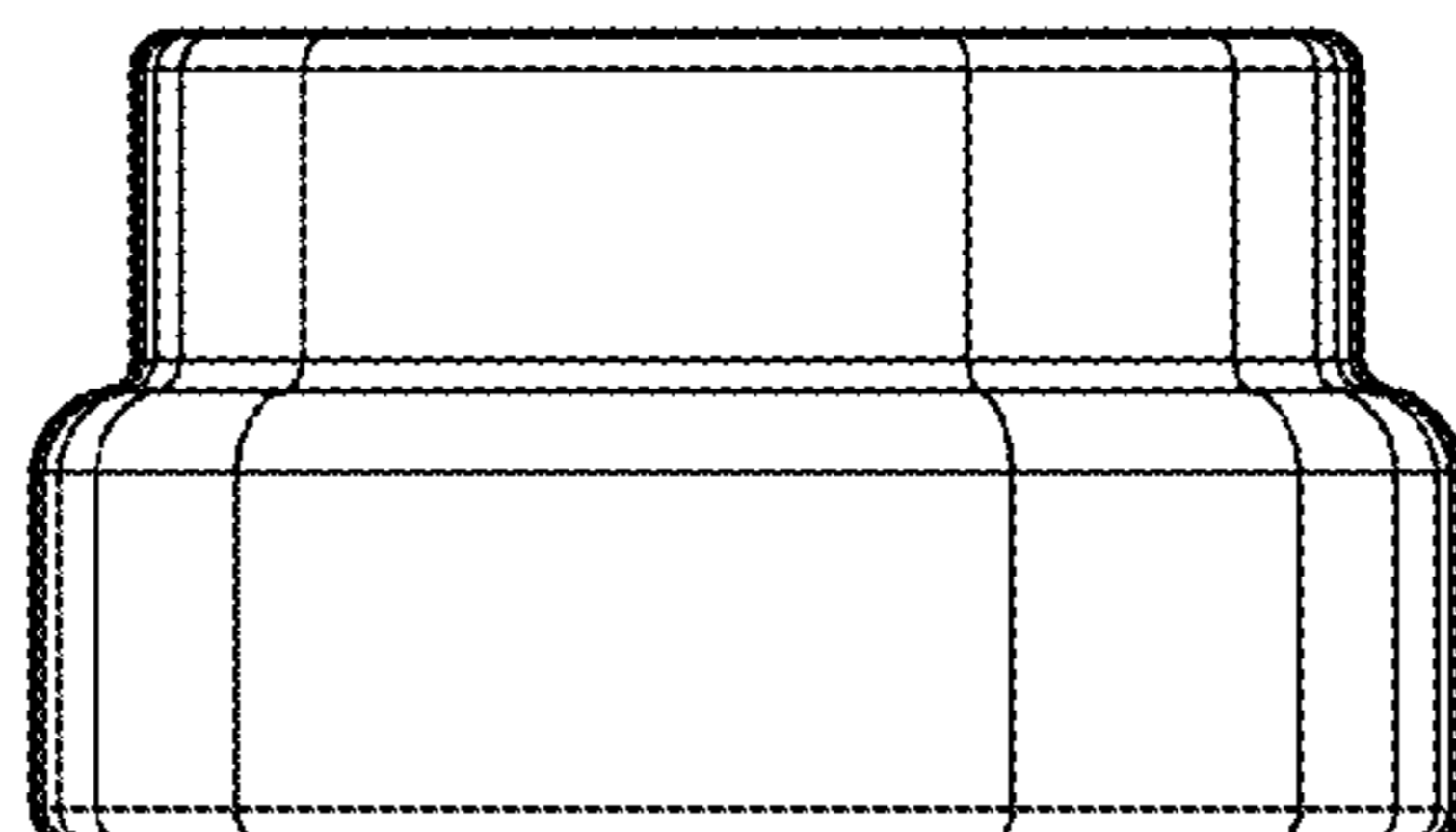


Fig. 3

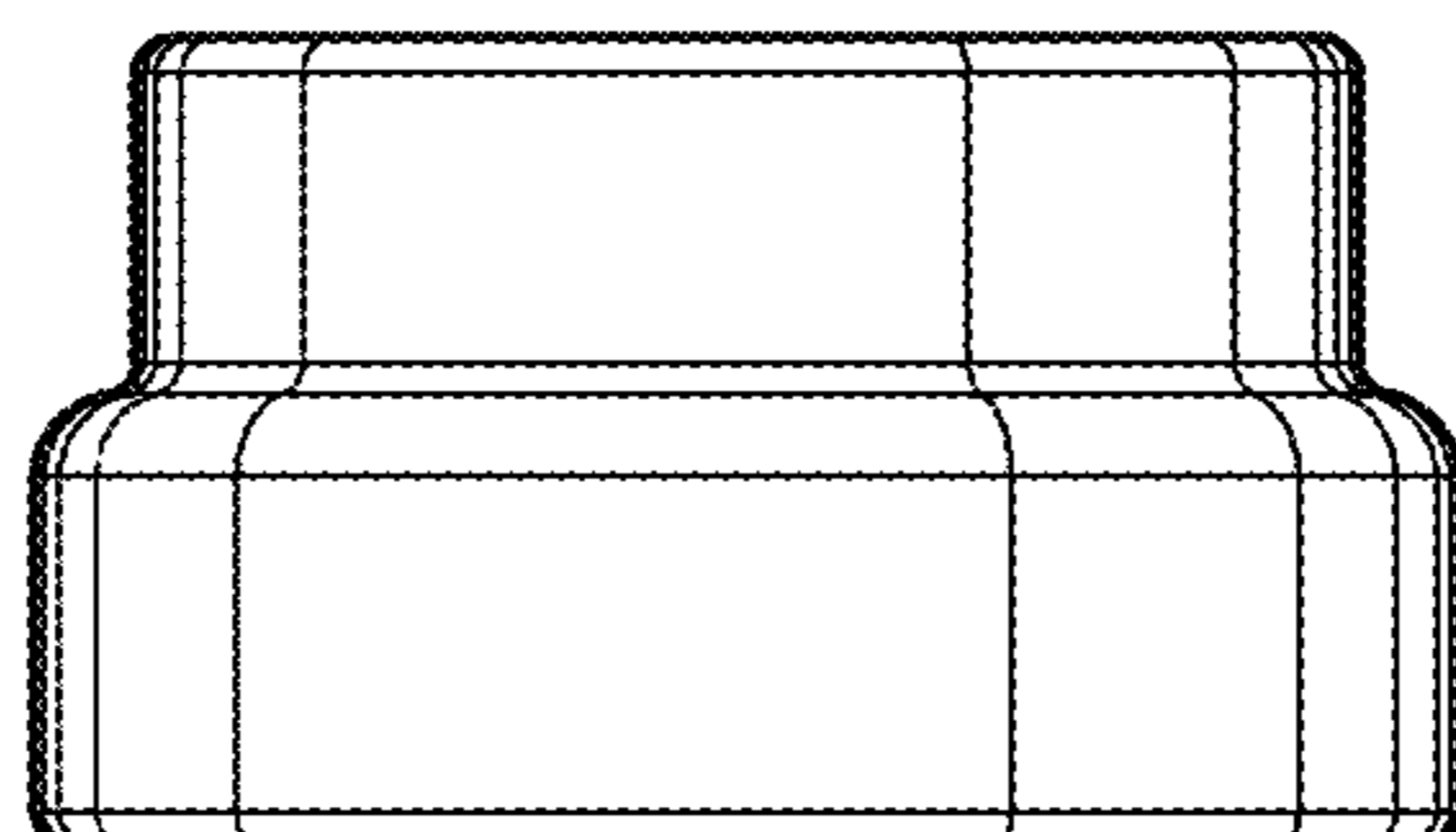


Fig. 4

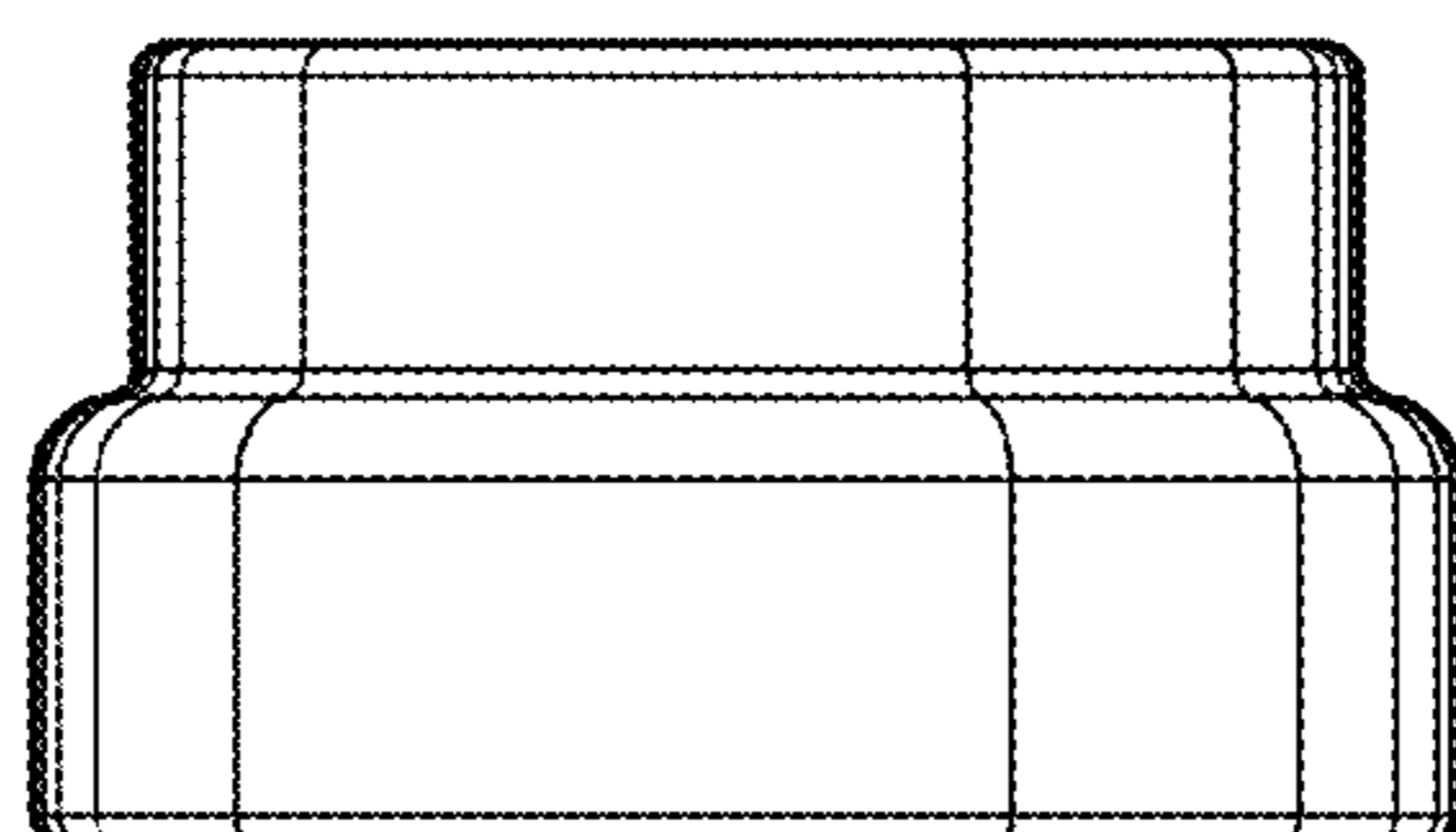


Fig. 5

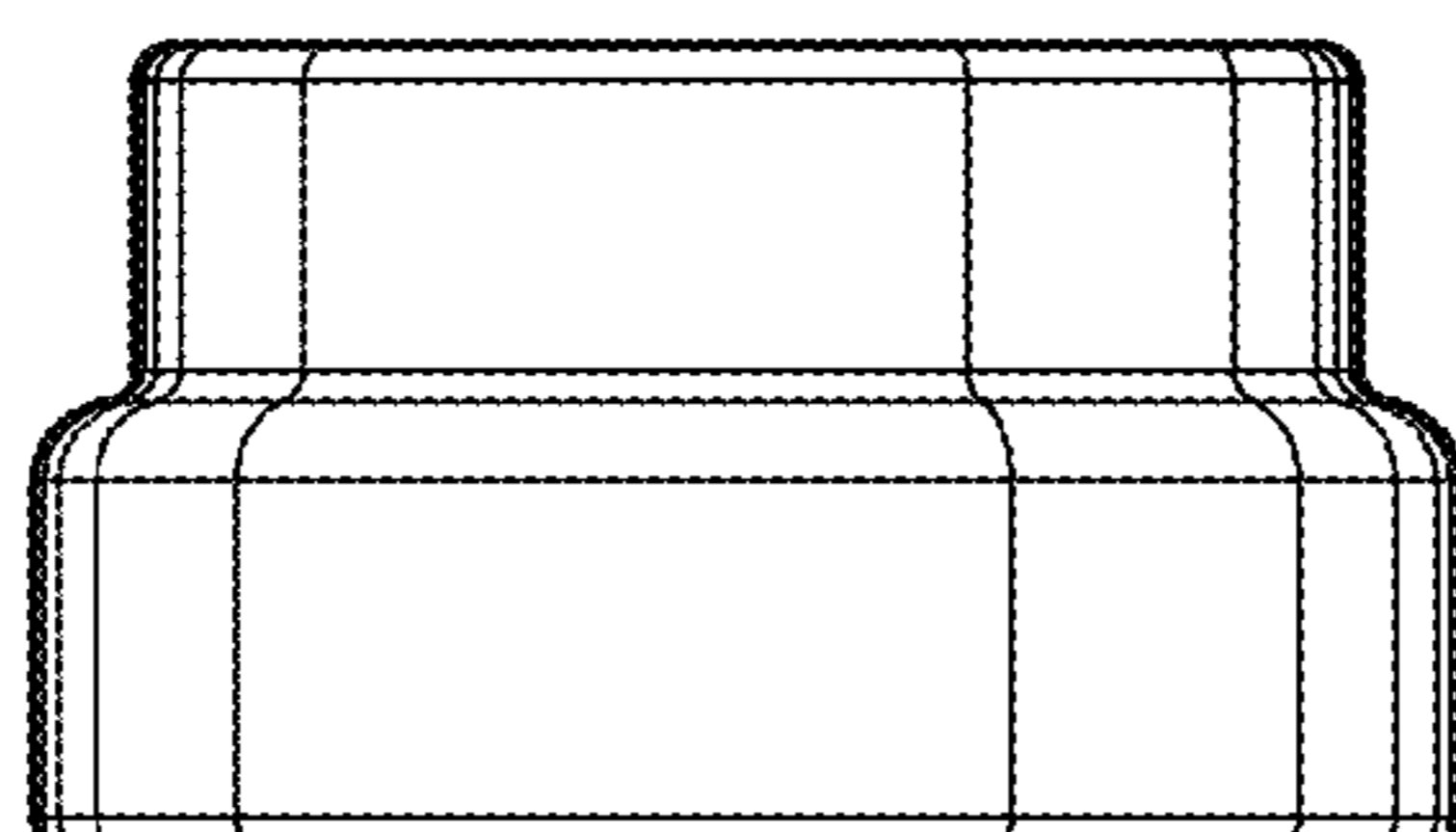


Fig. 6

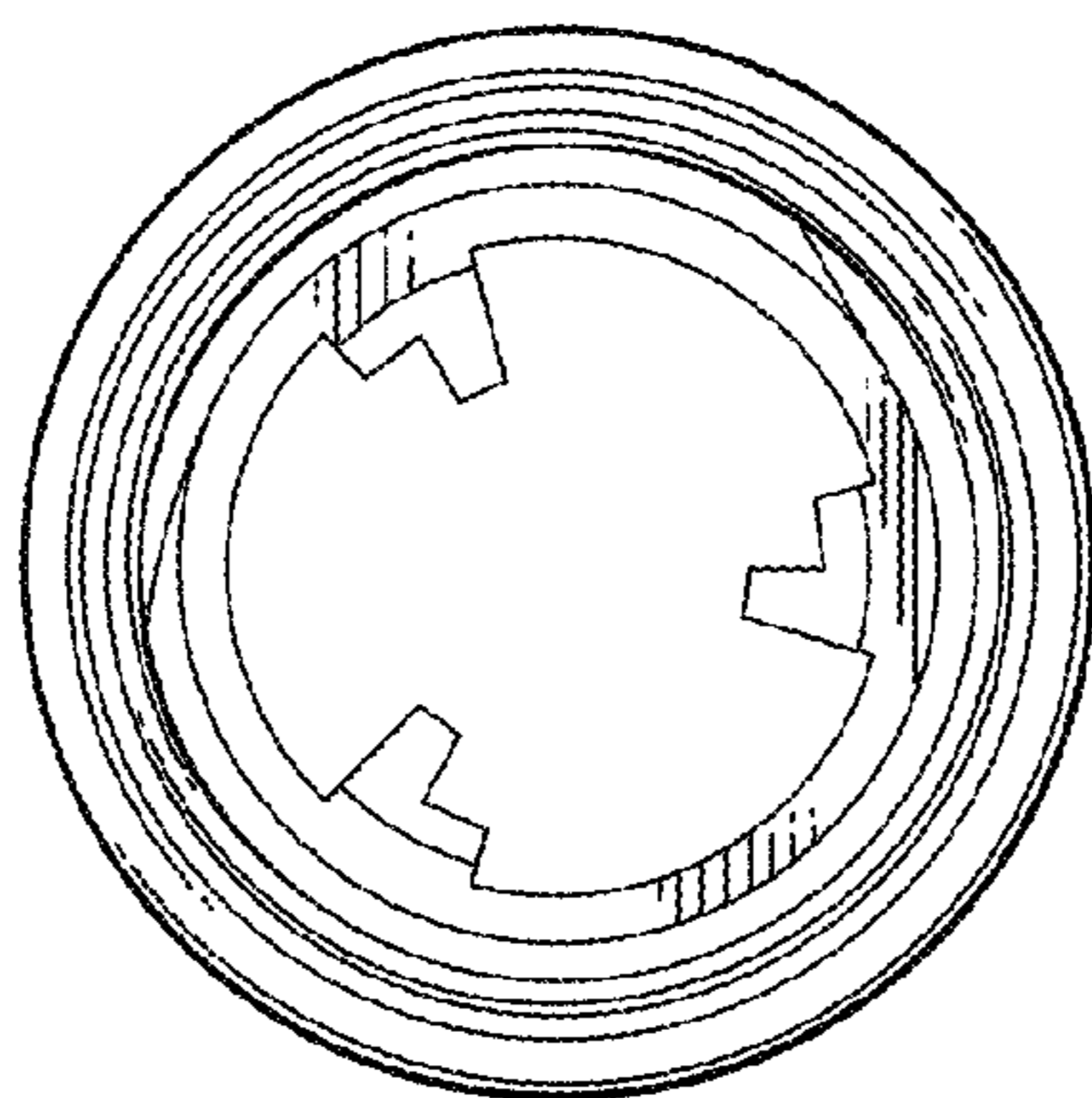


Fig. 7

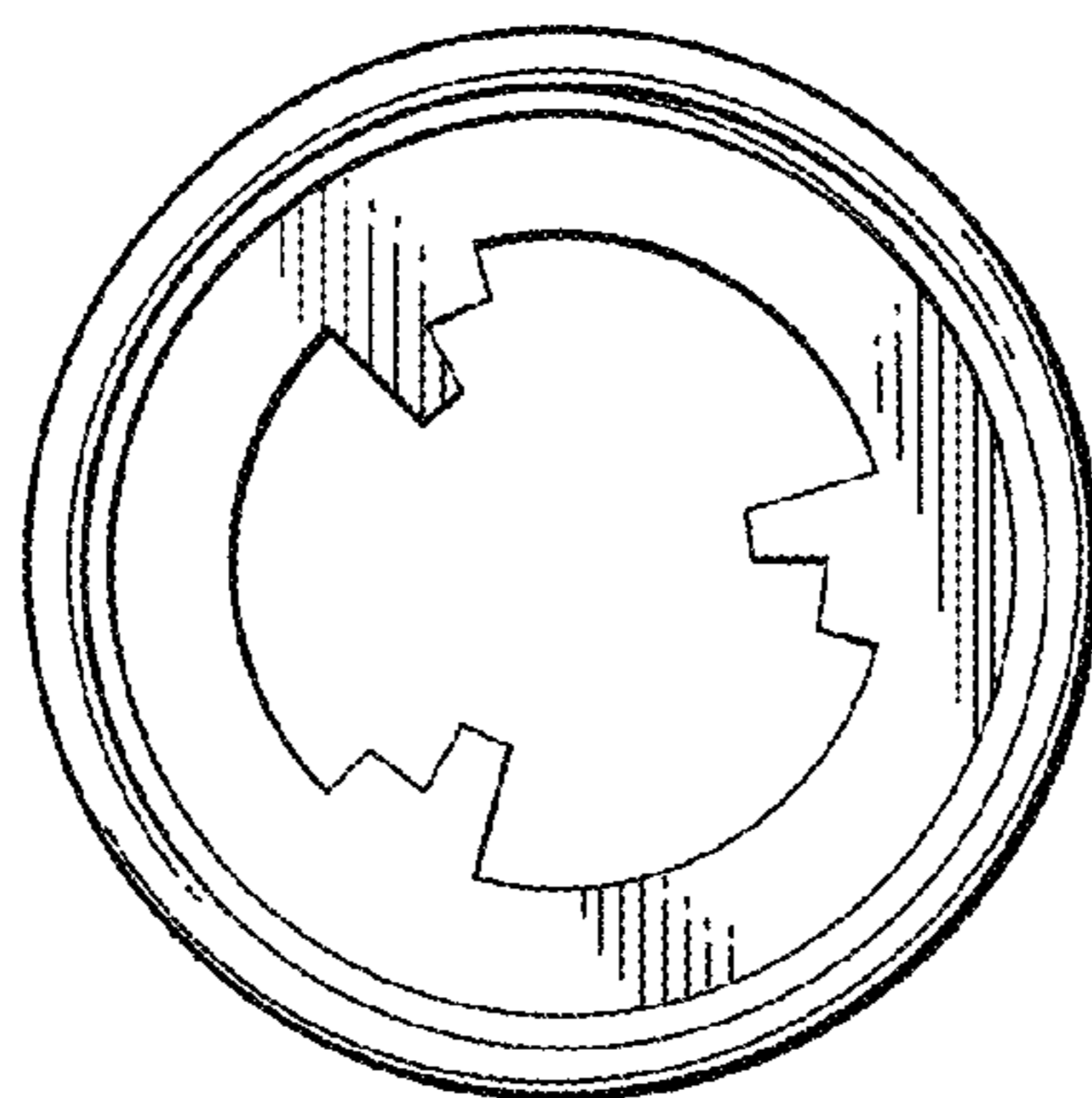


Fig. 8

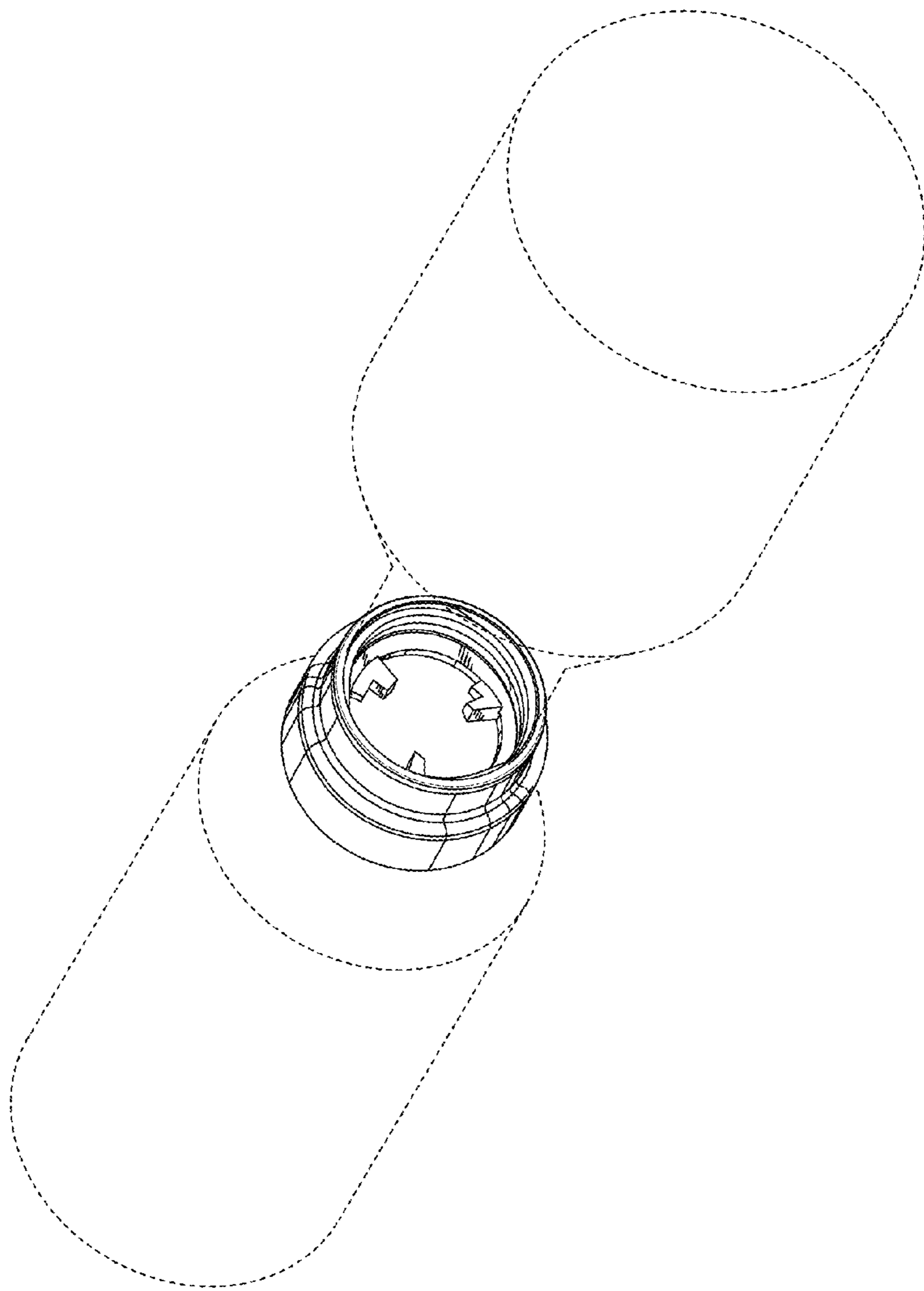


Fig. 10