



US00D710481S

(12) **United States Design Patent**
Walter et al.

(10) **Patent No.:** **US D710,481 S**
(45) **Date of Patent:** **** Aug. 5, 2014**

- (54) **END CAP FOR BATON**
- (71) Applicant: **Safariland, LLC**, Jacksonville, FL (US)
- (72) Inventors: **Brian Walter**, Pittsfield, MA (US);
William Bailey, Rindge, NH (US)
- (73) Assignee: **Safariland, LLC**, Jacksonville, FL (US)
- (**) Term: **14 Years**
- (21) Appl. No.: **29/443,028**
- (22) Filed: **Jan. 11, 2013**
- (51) **LOC (10) Cl.** **22-01**
- (52) **U.S. Cl.**
USPC **D22/117**
- (58) **Field of Classification Search**
USPC D22/117-120, 914; 463/47.2, 47.7;
362/102, 109, 120, 205, 376, 390, 399
See application file for complete search history.

7,044,858	B1 *	5/2006	Otto et al.	463/47.2
7,346,958	B2 *	3/2008	Parsons	463/47.2
7,744,472	B2 *	6/2010	Chauvet et al.	463/47.7

* cited by examiner

Primary Examiner — Catheri Oliver-Garcia
(74) *Attorney, Agent, or Firm* — Kane Kessler, P.C.; Paul E. Szabo

(57) **CLAIM**
The ornamental design for an end cap for baton, as shown.

DESCRIPTION

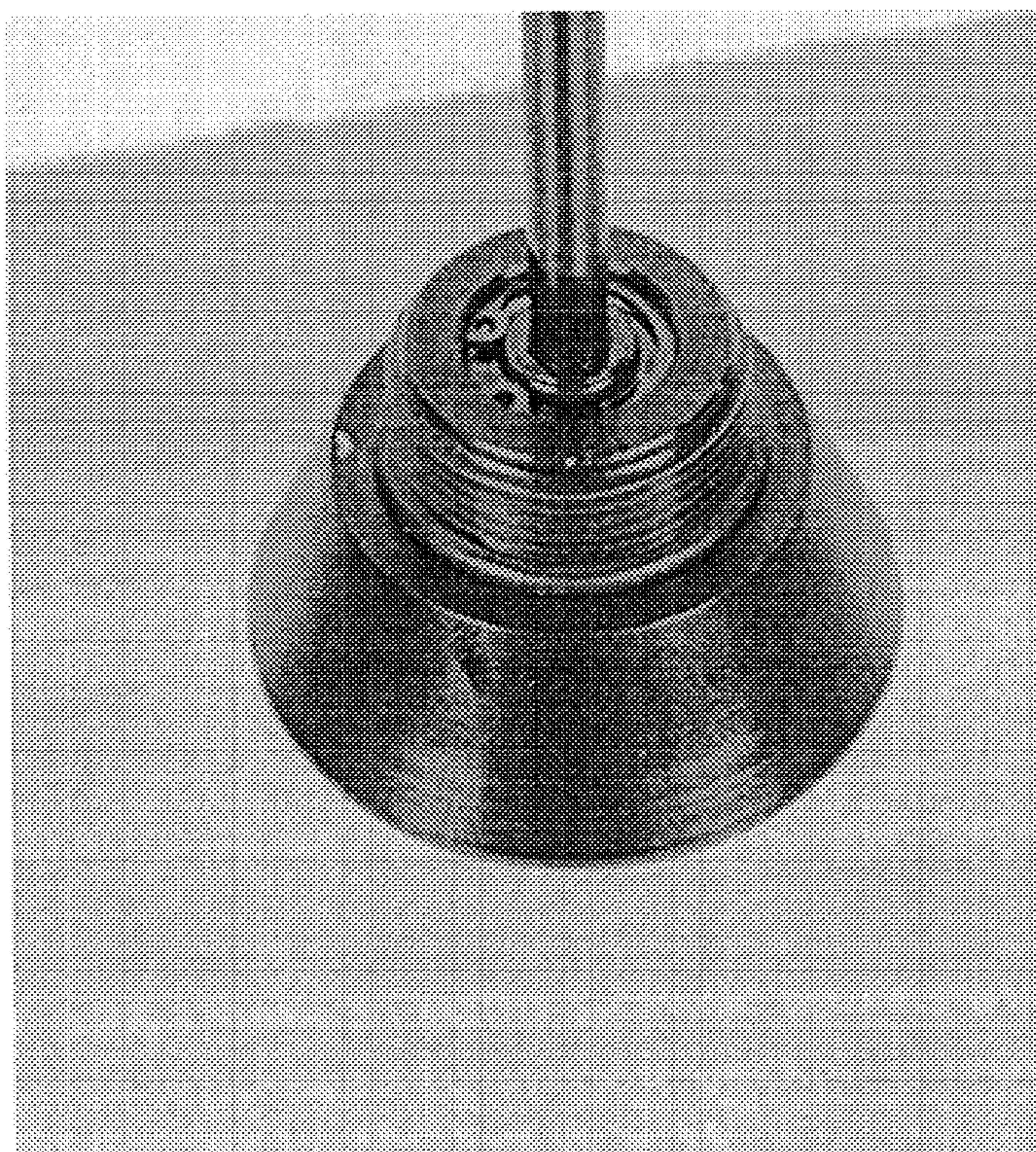
FIG. 1 is a sectional view of an end cap for a baton, showing my new design;
 FIG. 2 is a top view of the end cap;
 FIG. 3 is a side view of the end cap;
 FIG. 4 is a side view of the end cap, shown on a baton;
 FIG. 5 is a perspective view of the end cap, shown on a baton;
 FIG. 6 is a close-up perspective view of the end cap shown on the baton;
 FIG. 7 is another perspective view of the end cap; and,
 FIG. 8 is another perspective view of the end cap.
 The end cap is rotationally identical, that is, the visual appearance is the same from all sides around the axis.
 The broken line showing of environment in the drawings is included for the purpose of illustrating only and forms no part of the claimed design.

(56) **References Cited**

U.S. PATENT DOCUMENTS

4,479,171	A *	10/1984	Mains	362/102
D452,545	S *	12/2001	Starrett	D22/117
D479,298	S *	9/2003	Parsons	D22/117
D483,432	S *	12/2003	Parsons	D22/117
D520,593	S *	5/2006	Anderson	D22/117

1 Claim, 4 Drawing Sheets



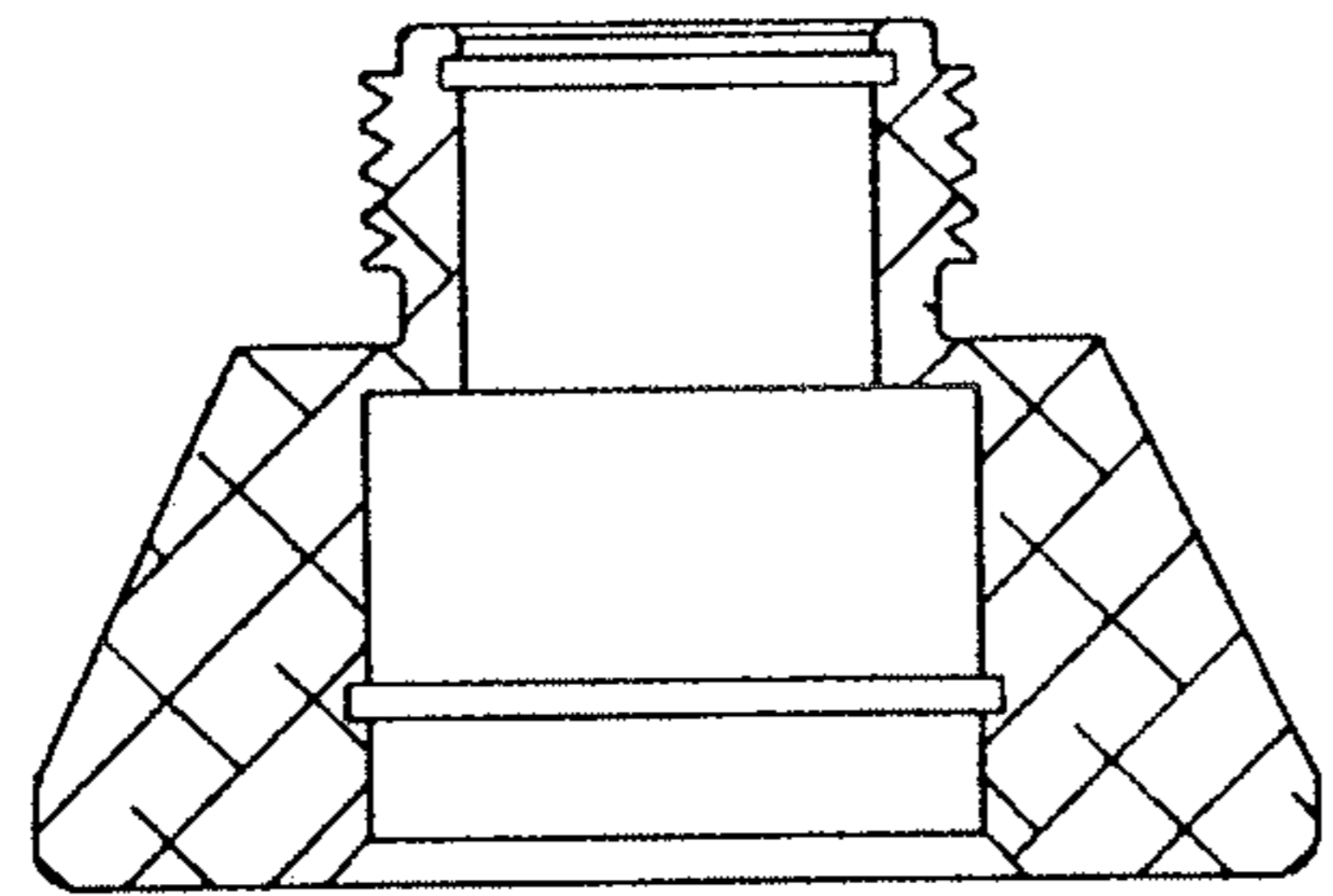


FIG. 1

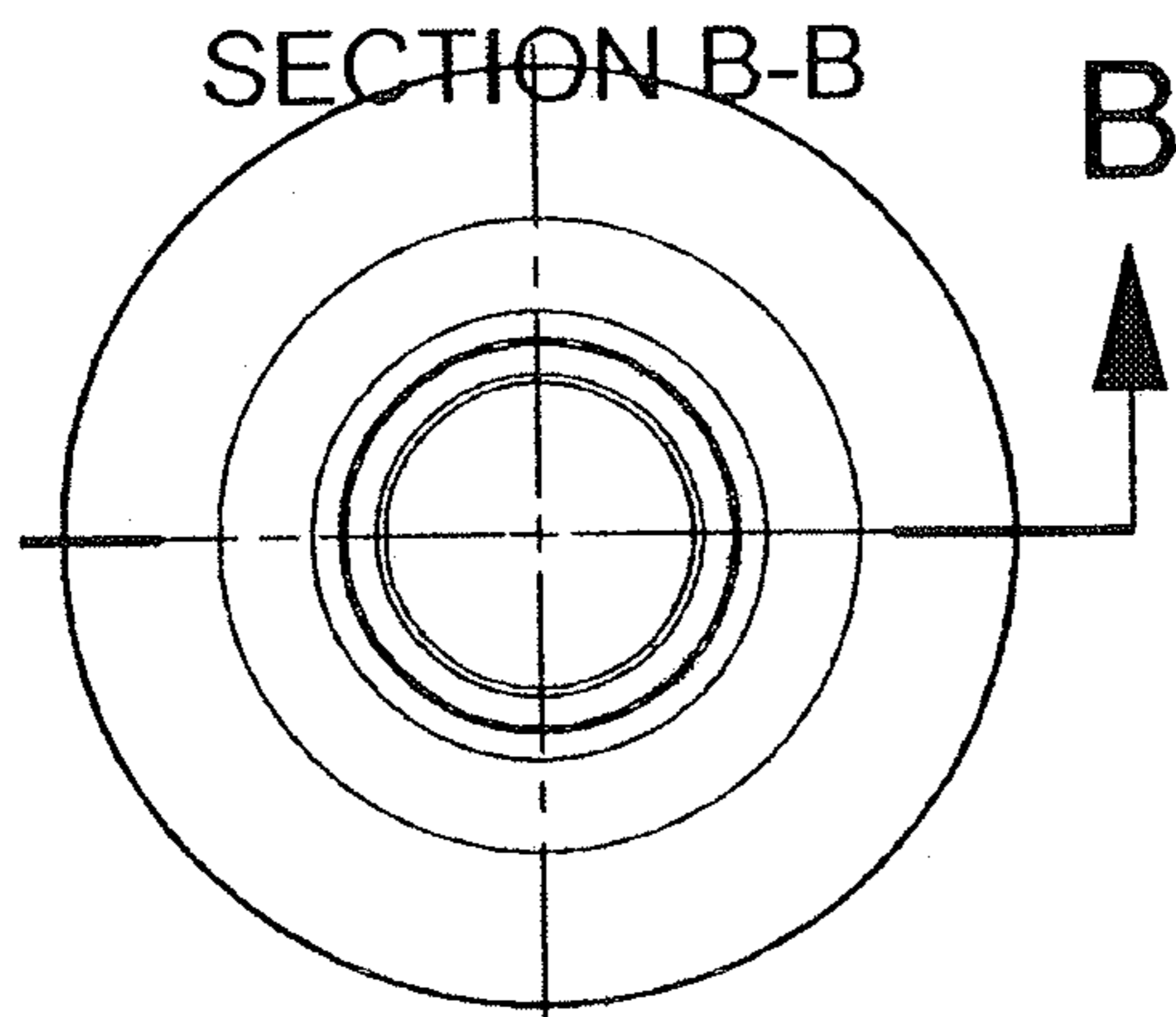


FIG. 2

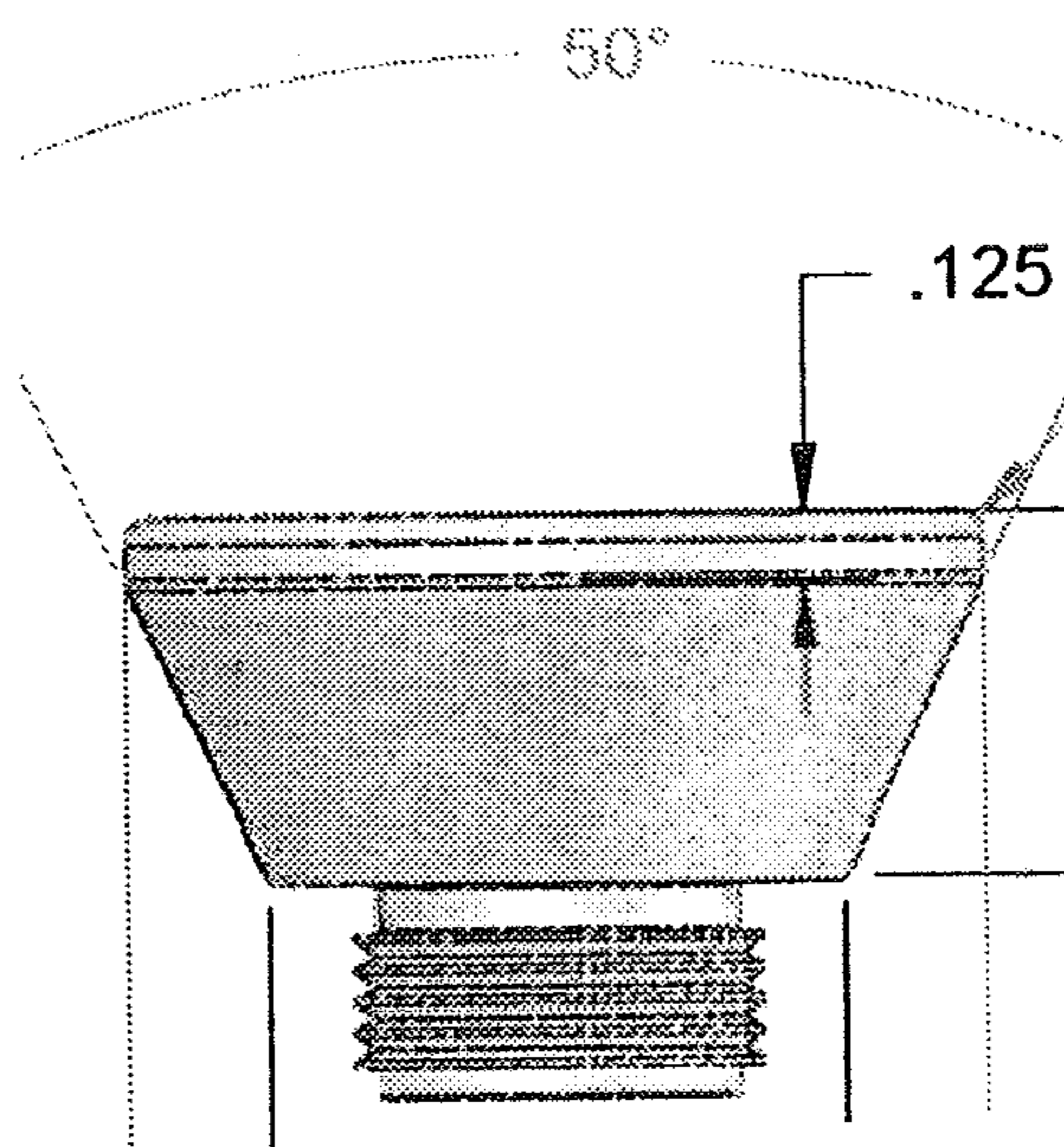


FIG. 3

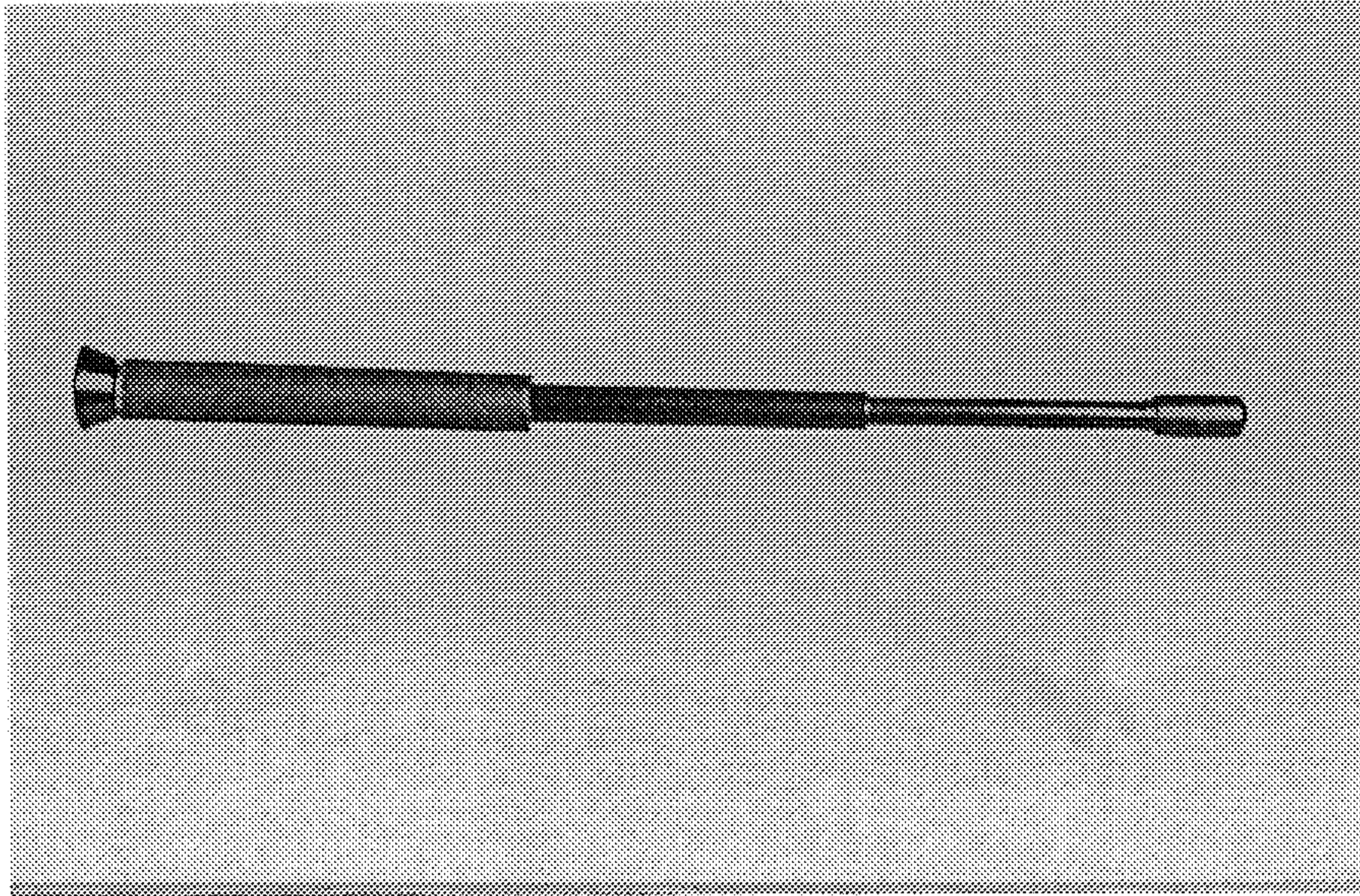


FIG. 4

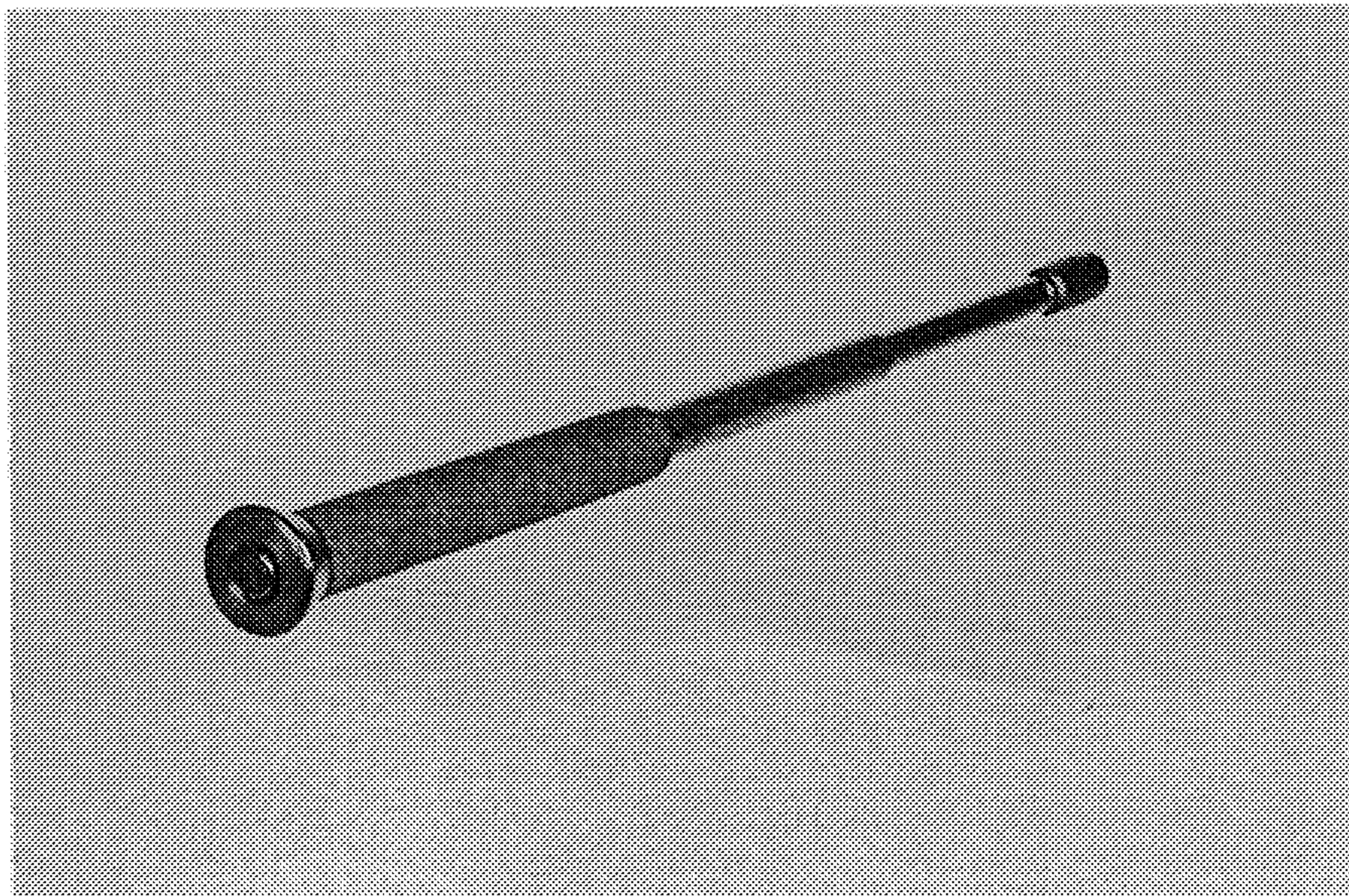


FIG. 5

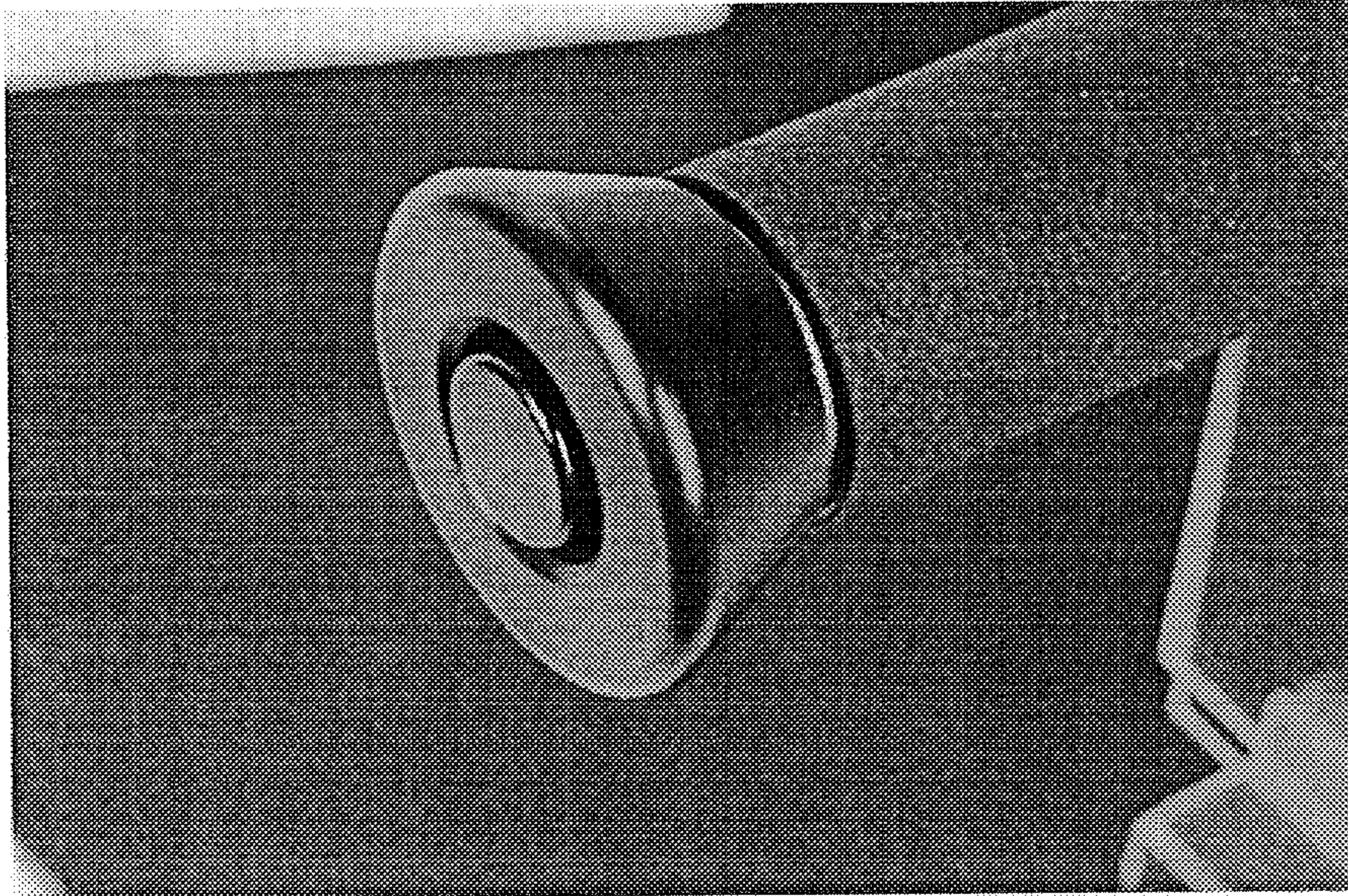


Fig. 6

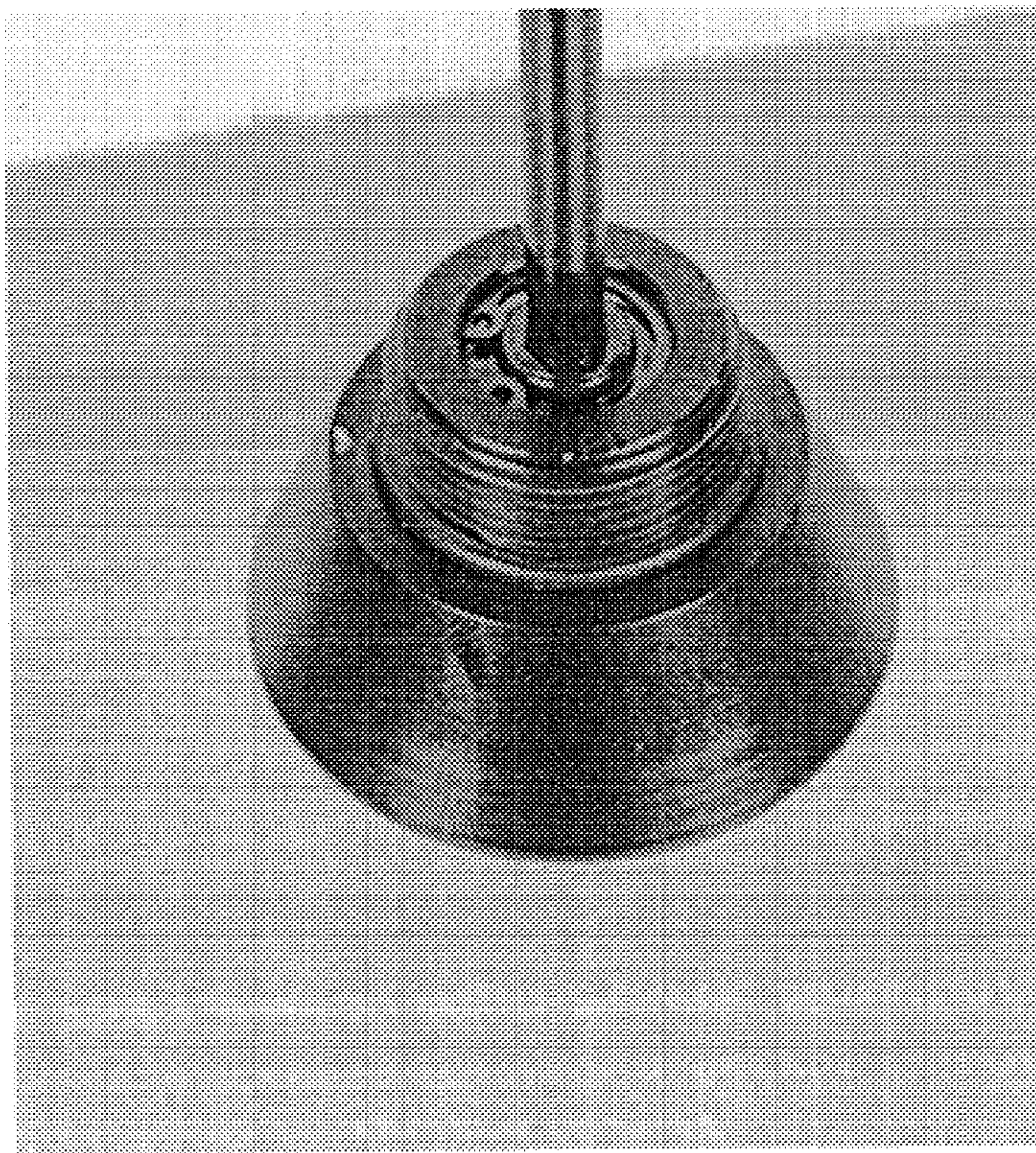


Fig. 7

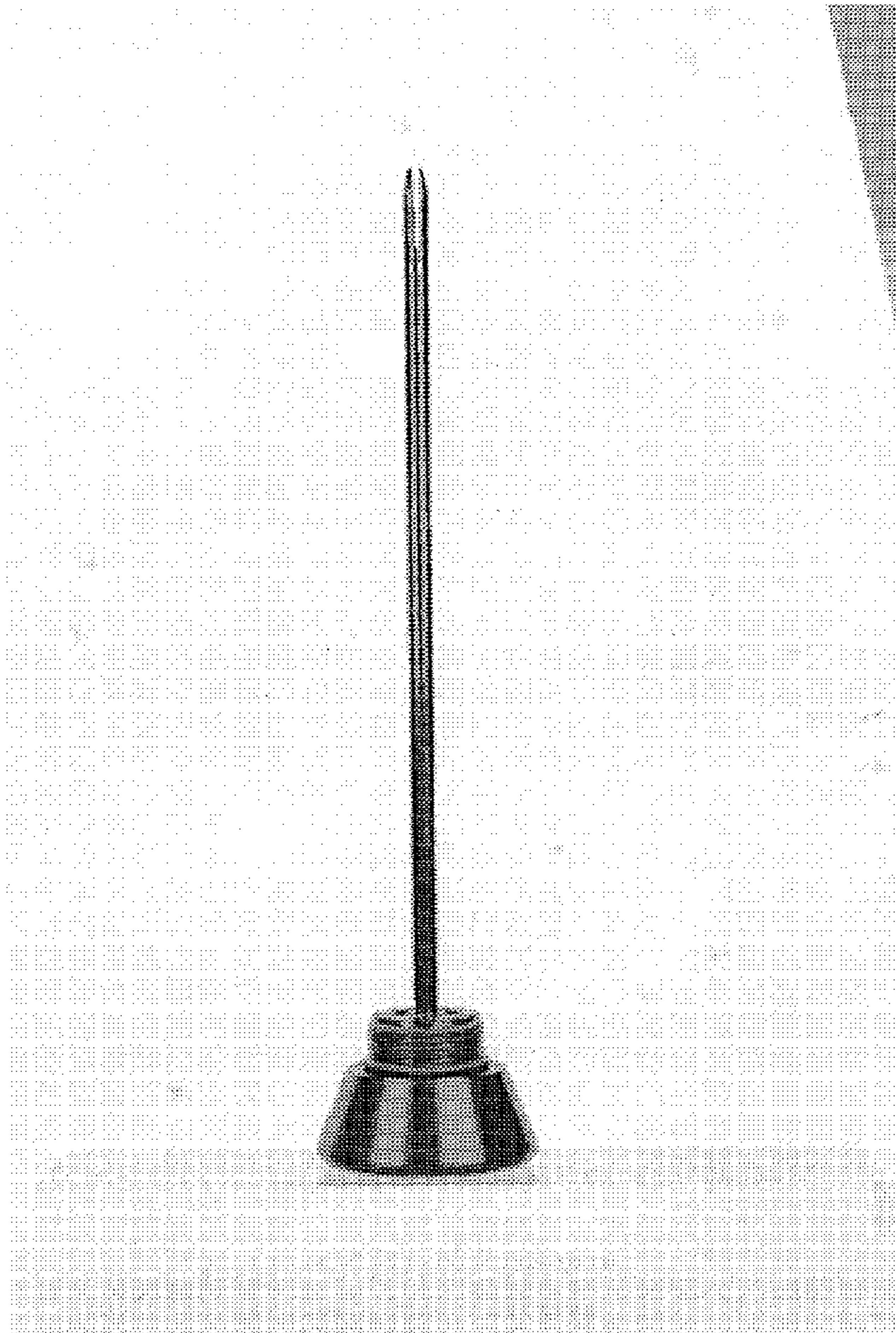


Fig. 8

UNITED STATES PATENT AND TRADEMARK OFFICE
CERTIFICATE OF CORRECTION

PATENT NO. : D710,481 S
APPLICATION NO. : 29/443028
DATED : August 5, 2014
INVENTOR(S) : Walter et al.

Page 1 of 6

It is certified that error appears in the above-identified patent and that said Letters Patent is hereby corrected as shown below:

The Title page, showing the illustrative figure, should be deleted and substitute therefor the attached Title page.

In the Drawings

Delete drawings sheets 1-4 and substitute therefor the drawing sheets, consisting of figs. 1-8 as shown on the attached page.

Signed and Sealed this
Third Day of March, 2015



Michelle K. Lee
Deputy Director of the United States Patent and Trademark Office

(12) **United States Design Patent**
Walter et al.

(10) **Patent No.:** **US D710,481 S**
(45) **Date of Patent:** **** Aug. 5, 2014**

(54) **END CAP FOR BATON**

7,044,858 B1 * 5/2006 Otto et al. 463/47.2
7,346,958 B2 * 3/2008 Parsons 463/47.2
7,744,472 B2 * 6/2010 Chauvet et al. 463/47.7

(71) Applicant: **Safariland, LLC**, Jacksonville, FL (US)

* cited by examiner

(72) Inventors: **Brian Walter**, Pittsfield, MA (US);
William Bailey, Rindge, NH (US)

Primary Examiner Catheri Oliver-Garcia

(73) Assignee: **Safariland, LLC**, Jacksonville, FL (US)

(74) *Attorney, Agent, or Firm* Kane Kessler, P.C.; Paul F. Szabo

(**) Term: **14 Years**

(57) **CLAIM**

The ornamental design for an end cap for baton, as shown.

(21) Appl. No.: **29/443,028**

DESCRIPTION

(22) Filed: **Jan. 11, 2013**

(51) **LOC (10) Cl.** **22-01**

(52) **U.S. Cl.**
USPC **D22/117**

(58) **Field of Classification Search**
USPC D22/117-120, 914; 463/47.2, 47.7;
362/102, 109, 120, 205, 376, 390, 399
See application file for complete search history.

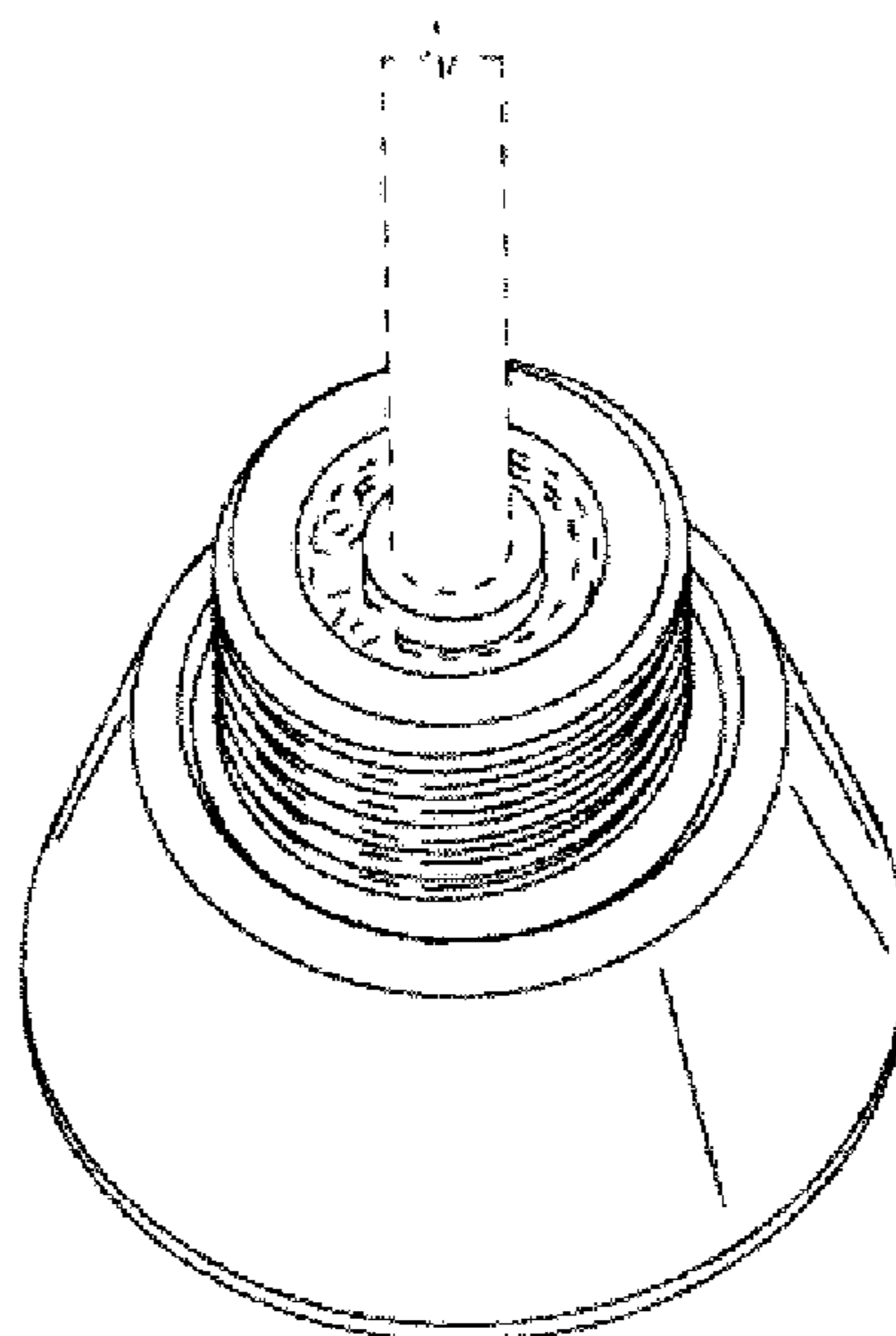
FIG. 1 is a sectional view of an end cap for a baton, showing my new design;
FIG. 2 is a top view of the end cap;
FIG. 3 is a side view of the end cap;
FIG. 4 is a side view of the end cap, shown on a baton;
FIG. 5 is a perspective view of the end cap, shown on a baton;
FIG. 6 is a close-up perspective view of the end cap shown on the baton;
FIG. 7 is another perspective view of the end cap; and,
FIG. 8 is another perspective view of the end cap.
The end cap is rotationally identical, that is, the visual appearance is the same from all sides around the axis.
The broken line showing of environment in the drawings is included for the purpose of illustrating only and forms no part of the claimed design.

(56) **References Cited**

U.S. PATENT DOCUMENTS

4,479,171 A * 10/1984 Mains 362/102
D452,545 S * 12/2001 Starrett D22/117
D479,298 S * 9/2003 Parsons D22/117
D483,432 S * 12/2003 Parsons D22/117
D520,593 S * 5/2006 Andersen D22/117

1 Claim, 4 Drawing Sheets



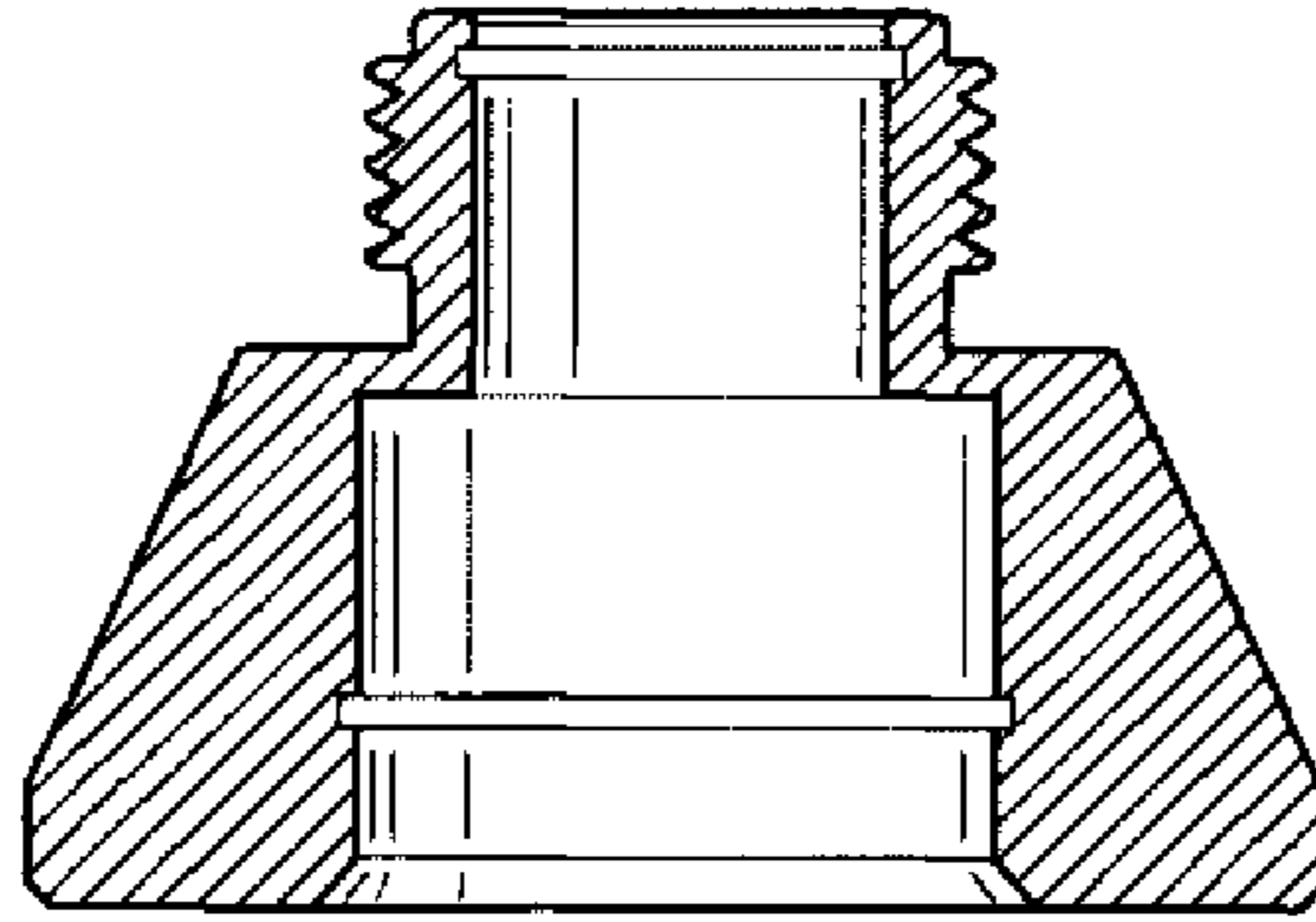


FIG. 1

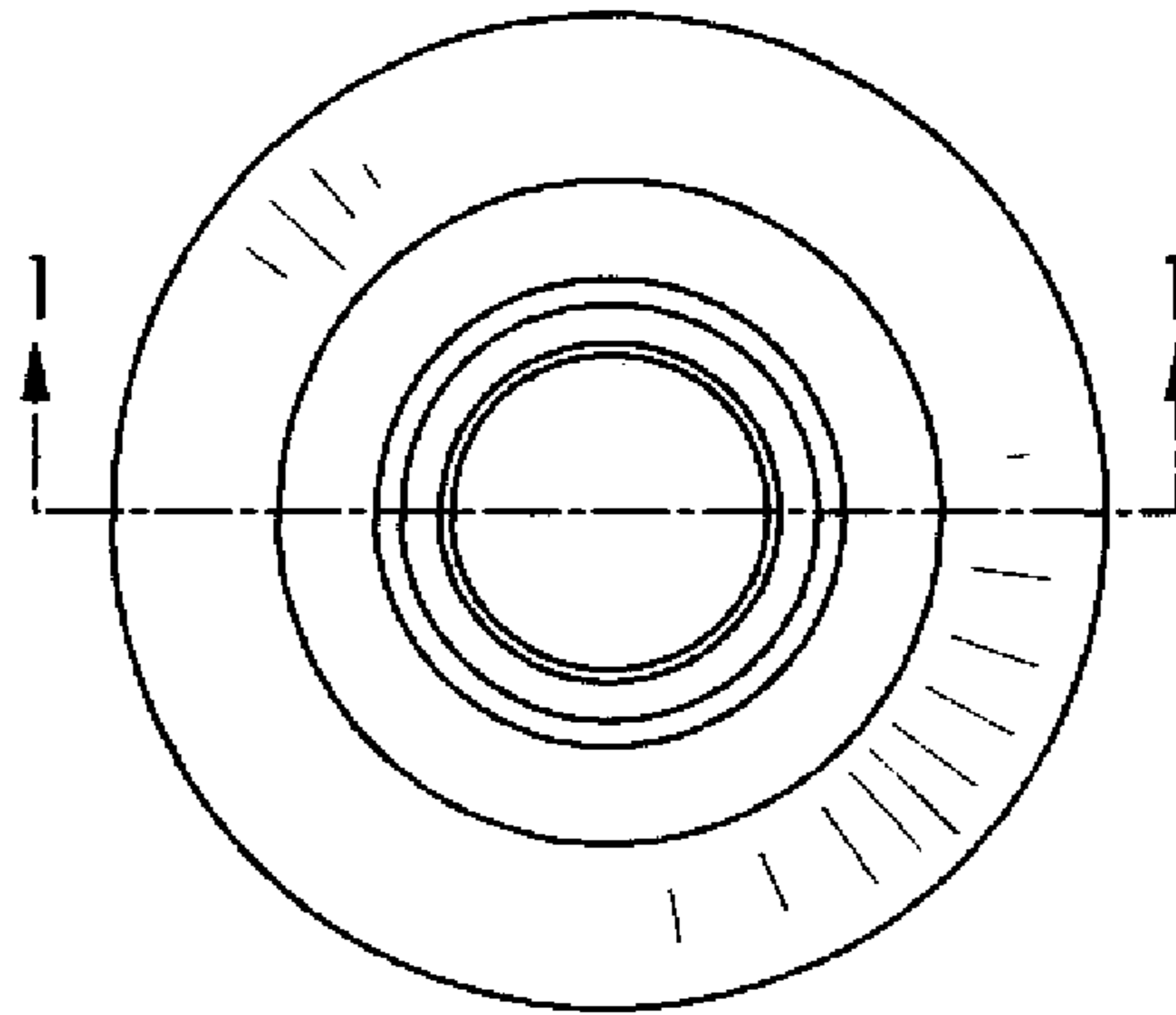


FIG. 2

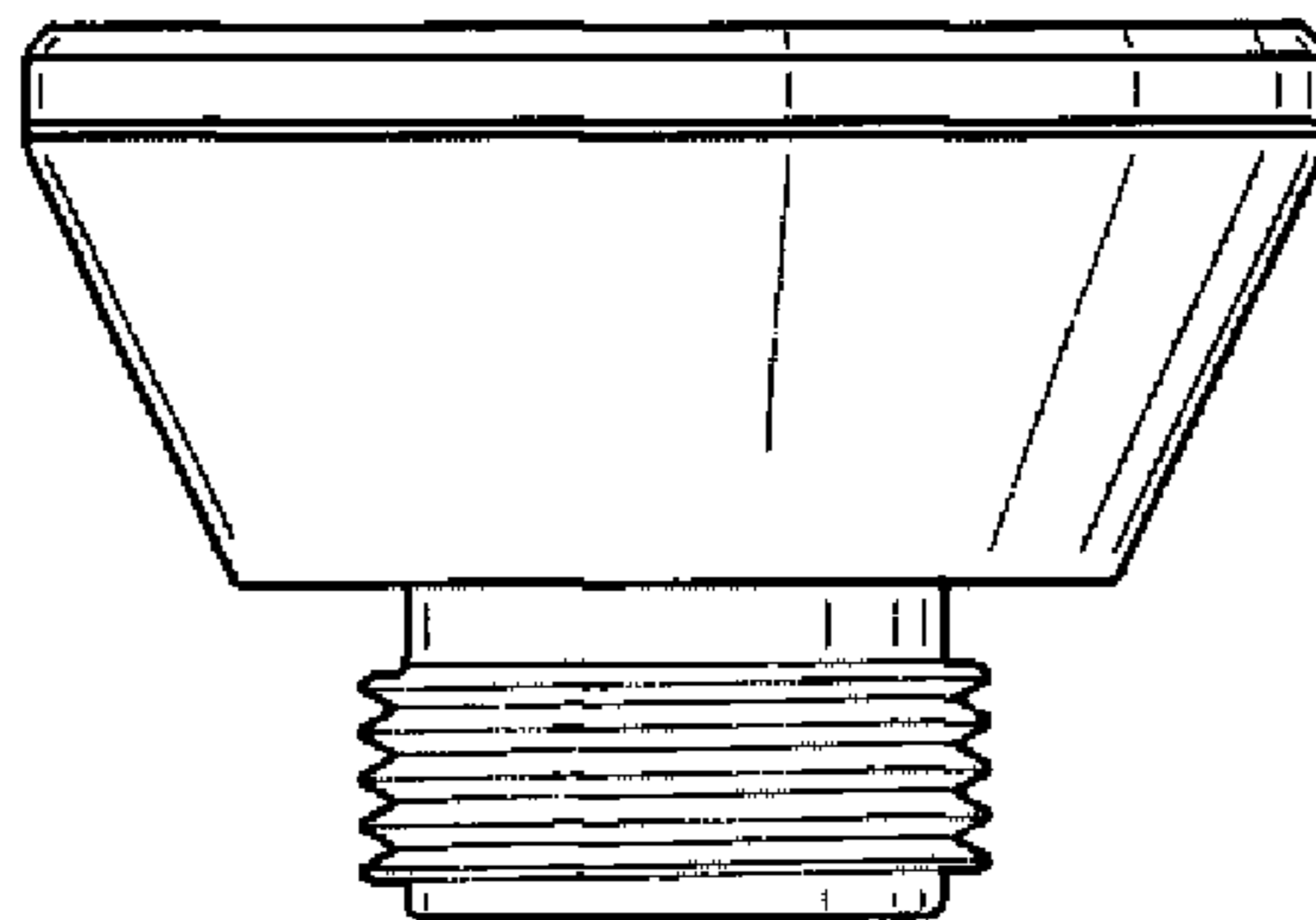


FIG. 3

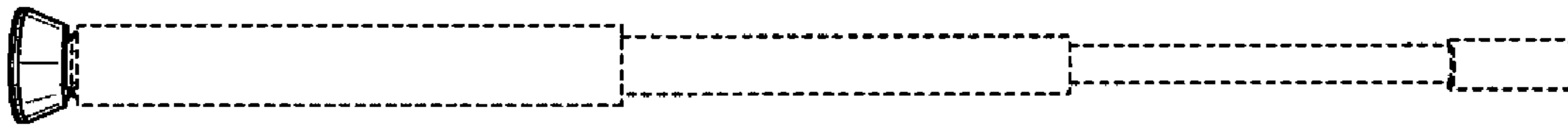


FIG. 4

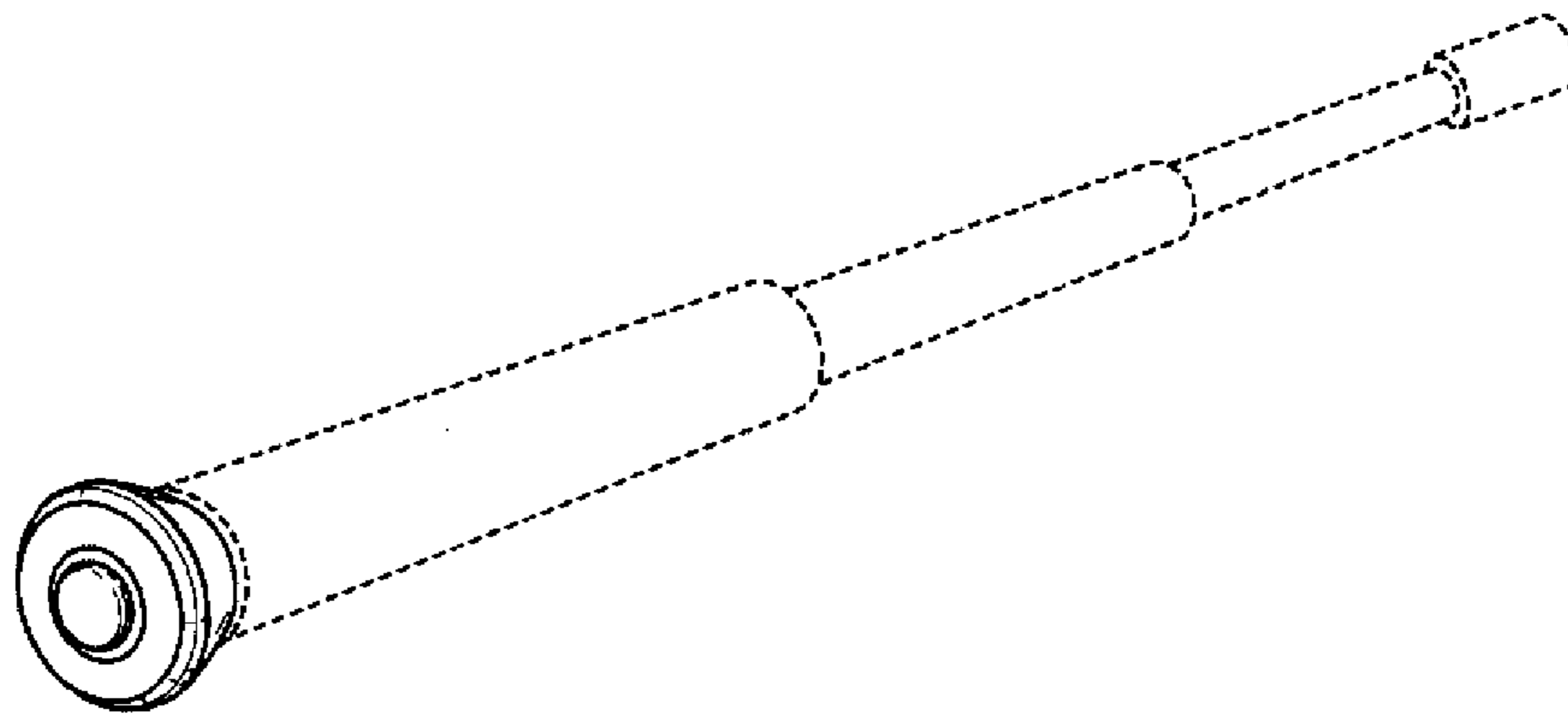


FIG. 5

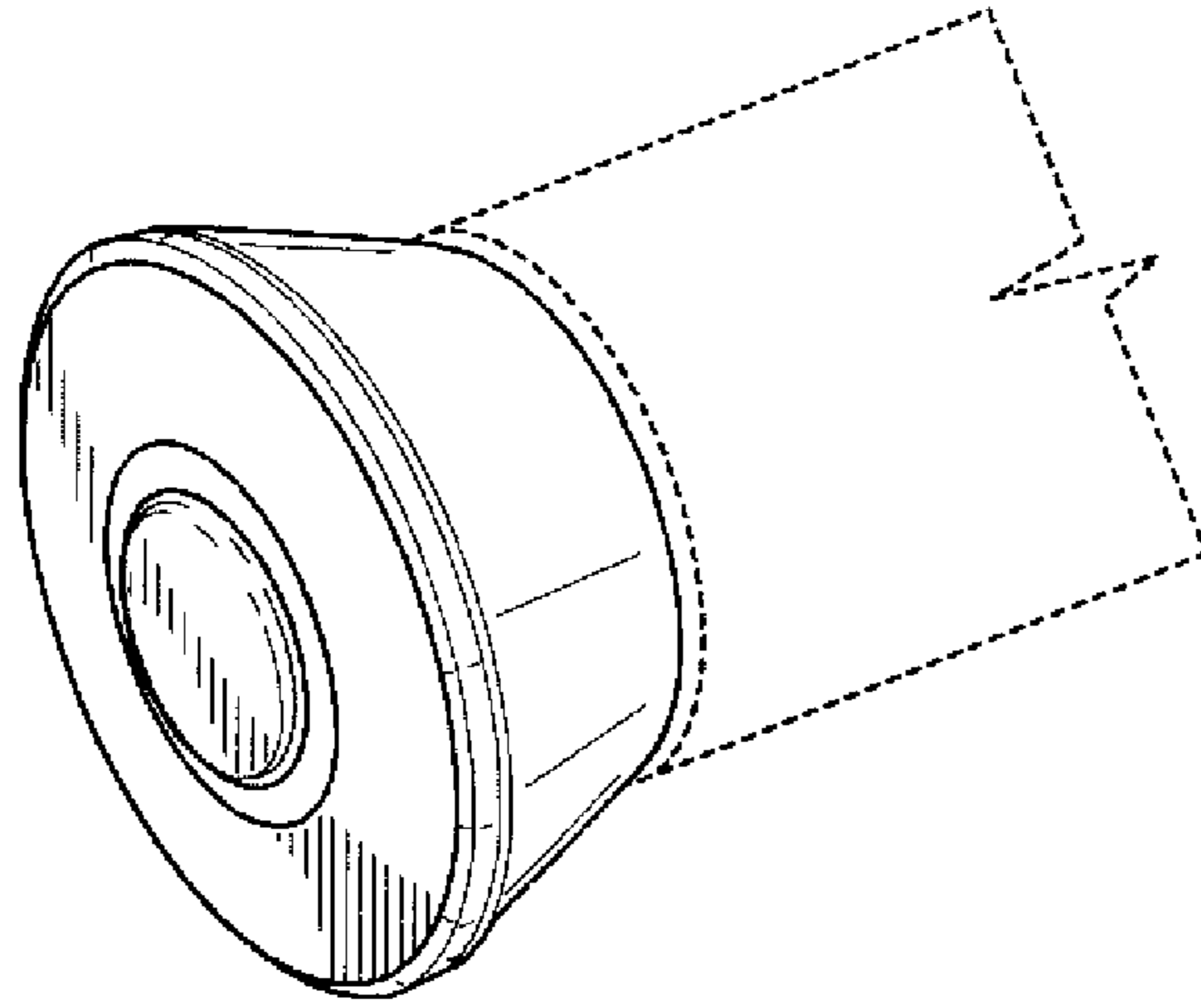


FIG. 6

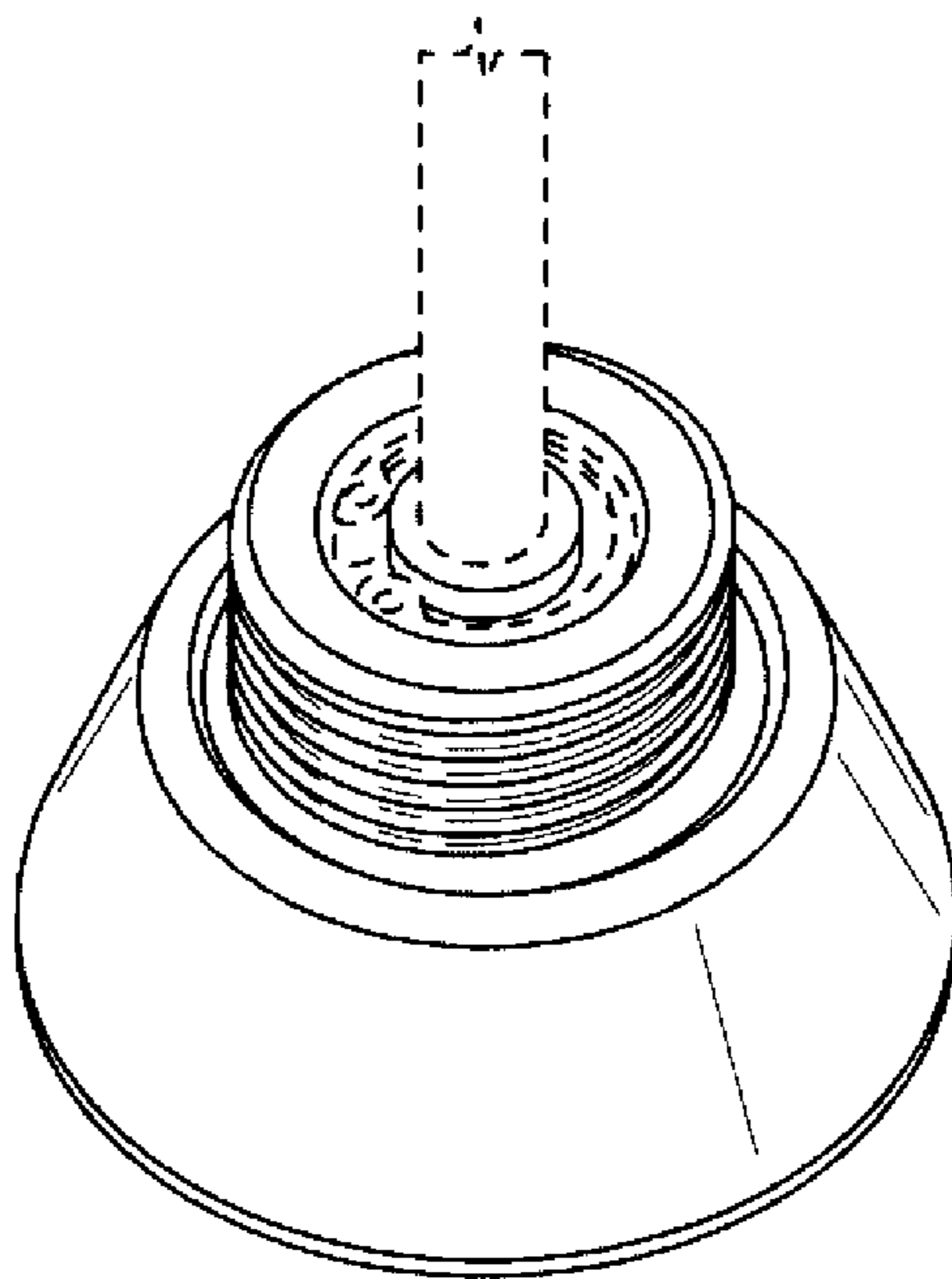


FIG. 7

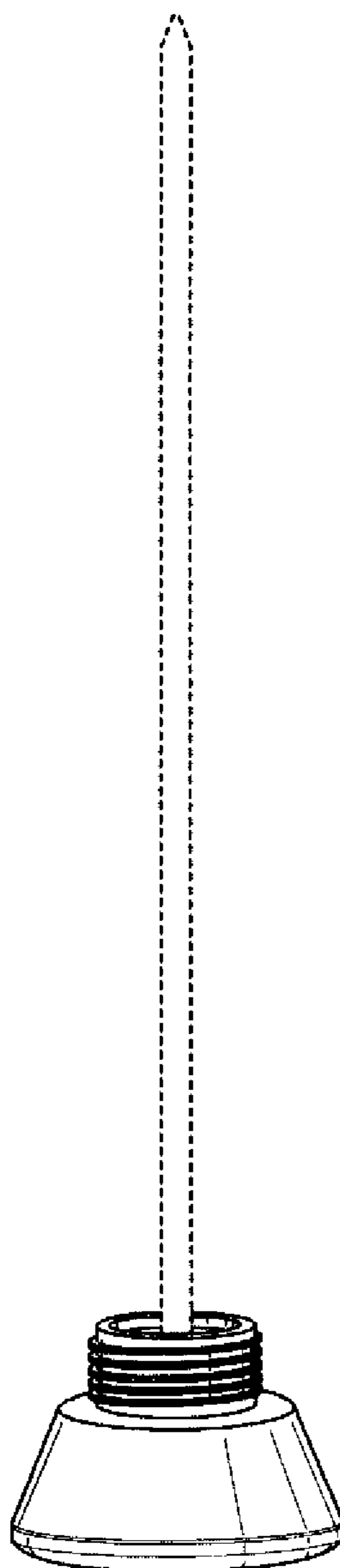


FIG. 8