

US00D710480S

(12) **United States Design Patent**  
**Fitzpatrick et al.**

(10) **Patent No.:** **US D710,480 S**

(45) **Date of Patent:** **\*\* Aug. 5, 2014**

(54) **ADJUSTMENT BUCKLE FOR A SLING**

(71) Applicant: **Magpul Industries Corporation**, Erie, CO (US)

(72) Inventors: **Richard Fitzpatrick**, Longmont, CO (US); **Michael T. Mayberry**, Denver, CO (US); **Brad Bennett**, Lafayette, CO (US); **Duane Liptak**, Longmont, CO (US); **Yehezkel Eitan**, Fort Lupton, CO (US); **Nick Kielsmeier**, Thornton, CO (US)

(73) Assignee: **Magpul Industries Corporation**, Erie, CO (US)

(\*\*) Term: **14 Years**

(21) Appl. No.: **29/453,793**

(22) Filed: **May 2, 2013**

(51) **LOC (10) Cl.** ..... **22-01**

(52) **U.S. Cl.**  
USPC ..... **D22/108**

(58) **Field of Classification Search**  
USPC ..... D22/108; D11/200, 201, 208–210, D11/212–218, 220, 230–234, 237, 86–87, D11/94; 24/307, 625, 616, 200, 196, 171, 24/169, 112; D3/214–215, 221, 262, D3/327–328; 224/150; 42/85, 94  
See application file for complete search history.

(56) **References Cited**

U.S. PATENT DOCUMENTS

2,343,118	A *	2/1944	White	.....	24/198
2,723,430	A	11/1955	Paillard		
D212,444	S	10/1968	Coon		
D251,345	S	3/1979	Bigelow		
D277,534	S	2/1985	Warmath		
4,608,735	A *	9/1986	Kasai	.....	24/196
D290,349	S *	6/1987	Kasai	.....	D11/218
4,903,378	A *	2/1990	Kasai	.....	24/196

(Continued)

OTHER PUBLICATIONS

Bravo Company USA Sling-Swivel-Mounts, Online Catalog (2010), <http://www.bravocompanyusa.com/Sling-Swivel-Mounts-s/63.htm>.

(Continued)

*Primary Examiner* — Michael A Pratt

(74) *Attorney, Agent, or Firm* — Swanson & Bratschun, L.L.C.

(57) **CLAIM**

The ornamental design for an adjustment buckle for a sling, as shown and described.

**DESCRIPTION**

FIG. 1 is a top, left, front perspective view of an adjustment buckle for a sling, with an associated strap illustrated in broken lines, showing our new design;

FIG. 2 is a top, right, front perspective view of the adjustment buckle of FIG. 1;

FIG. 3 is a bottom, left, front perspective view of the adjustment buckle of FIG. 1;

FIG. 4 is a bottom, right, rear perspective view of the adjustment buckle of FIG. 1;

FIG. 5 is a right side elevation view of the adjustment buckle of FIG. 1, the left side is a mirror image thereof;

FIG. 6 is a front elevation view of the adjustment buckle of FIG. 1;

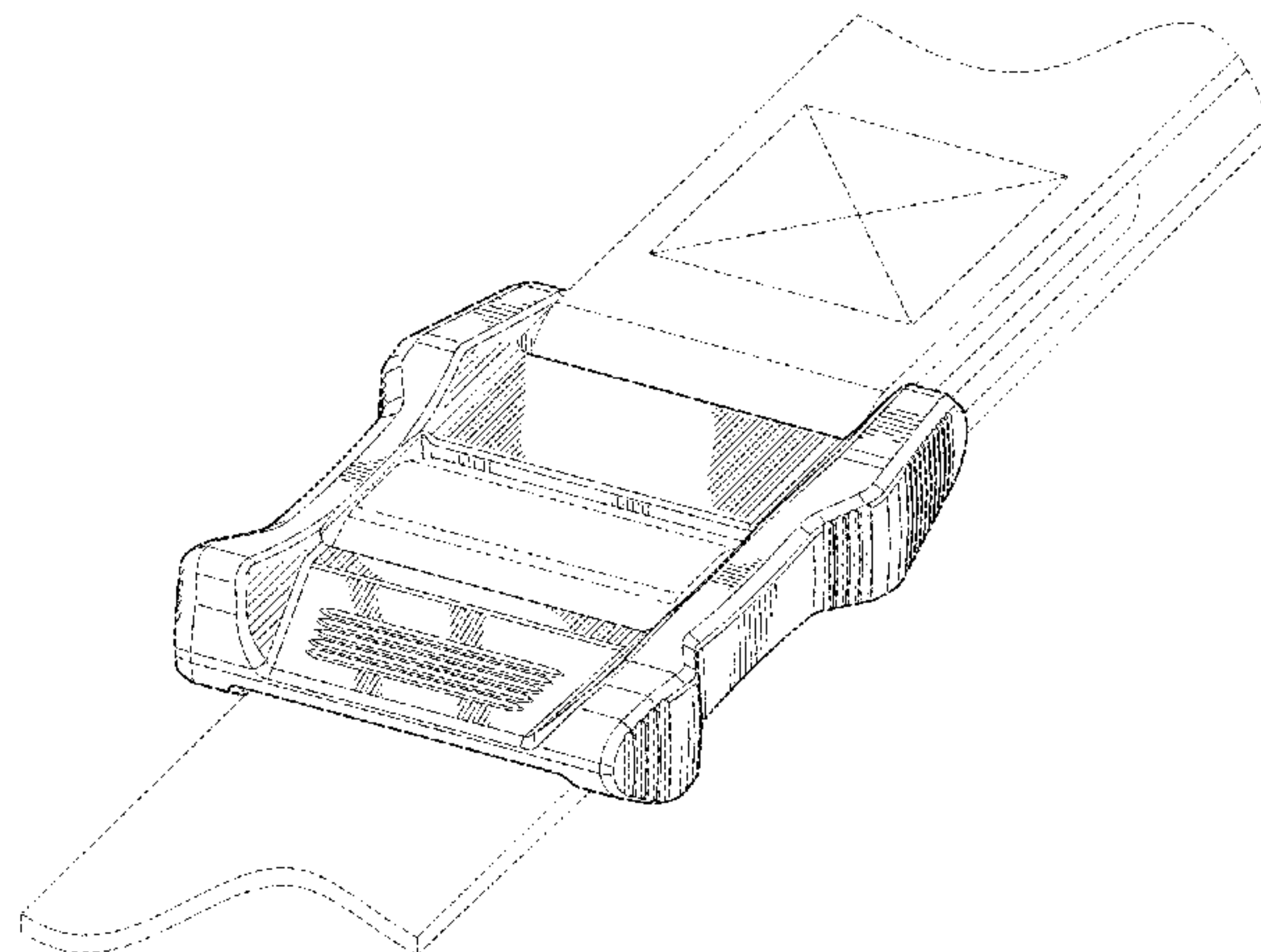
FIG. 7 is a rear elevation view of the adjustment buckle of FIG. 1;

FIG. 8 is a top plan view of the adjustment buckle of FIG. 1; and,

FIG. 9 is a bottom plan view of the adjustment buckle of FIG. 1.

The broken lines showing portions of the design in all figures are included for the purpose of illustrating environment and unclaimed features and forms not part of the claimed design.

**1 Claim, 5 Drawing Sheets**



(56)

**References Cited**

U.S. PATENT DOCUMENTS

D328,044 S \* 7/1992 Murai ..... D11/218  
 D340,008 S \* 10/1993 Anscher ..... D11/218  
 D352,254 S \* 11/1994 Prosser ..... D11/218  
 5,402,558 A 4/1995 Santapa  
 D364,126 S 11/1995 Ochiai  
 D395,596 S \* 6/1998 Butera ..... D8/396  
 D435,807 S 1/2001 Anscher  
 6,178,600 B1 1/2001 French  
 6,305,535 B1 10/2001 Fair  
 D477,364 S 7/2003 Tsai  
 6,598,330 B2 7/2003 Garrett  
 D507,509 S \* 7/2005 Hou ..... D11/218  
 D507,763 S \* 7/2005 Kaneko et al. .... D11/218  
 D508,726 S 8/2005 Storch  
 D550,551 S 9/2007 Howard  
 D579,820 S 11/2008 Brown  
 7,654,028 B1 2/2010 Grover

D614,720 S 4/2010 Fitzpatrick  
 D619,497 S \* 7/2010 Paik ..... D11/218  
 D619,928 S 7/2010 Bodino  
 D630,493 S \* 1/2011 Chan ..... D8/356  
 D632,954 S 2/2011 Fitzpatrick et al.  
 D636,835 S 4/2011 Fitzpatrick et al.  
 D636,836 S 4/2011 Fitzpatrick et al.  
 7,959,046 B2 \* 6/2011 Burnsed et al. .... 224/150  
 2009/0140019 A1 6/2009 Martinich  
 2010/0199541 A1 8/2010 Vest  
 2010/0287808 A1 11/2010 King

OTHER PUBLICATIONS

Design U.S. Appl. No. 29/400,245, filed Aug. 25, 2011, "MS3 D-Ring" by Fitzpatrick.  
 Wilson Combat Picatinny Rail Sling Mounts, Online Catalog (2010), [http://www.wilsoncombat.com/r\\_pr\\_slingmounts.asp](http://www.wilsoncombat.com/r_pr_slingmounts.asp).

\* cited by examiner

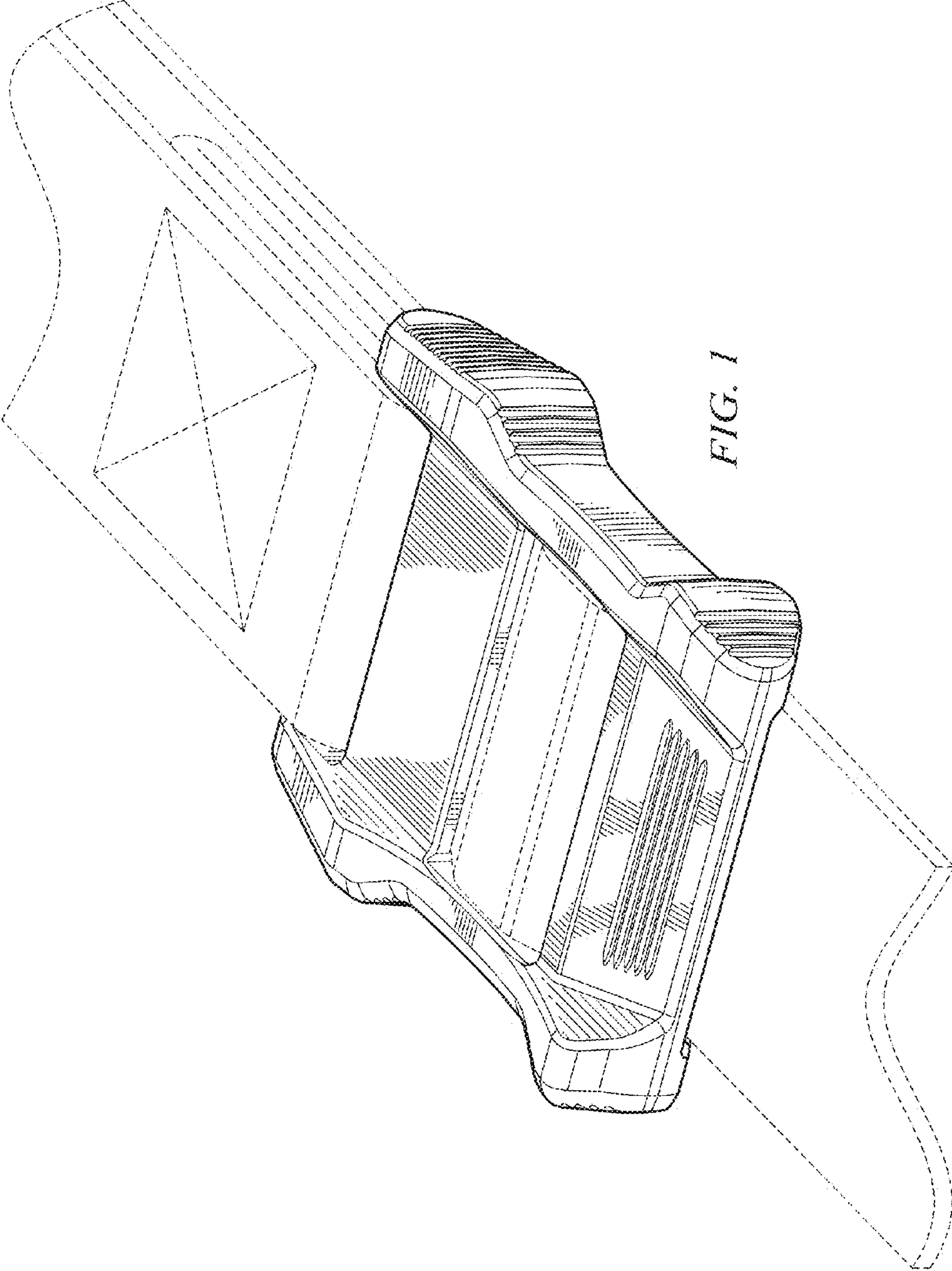


FIG. 1



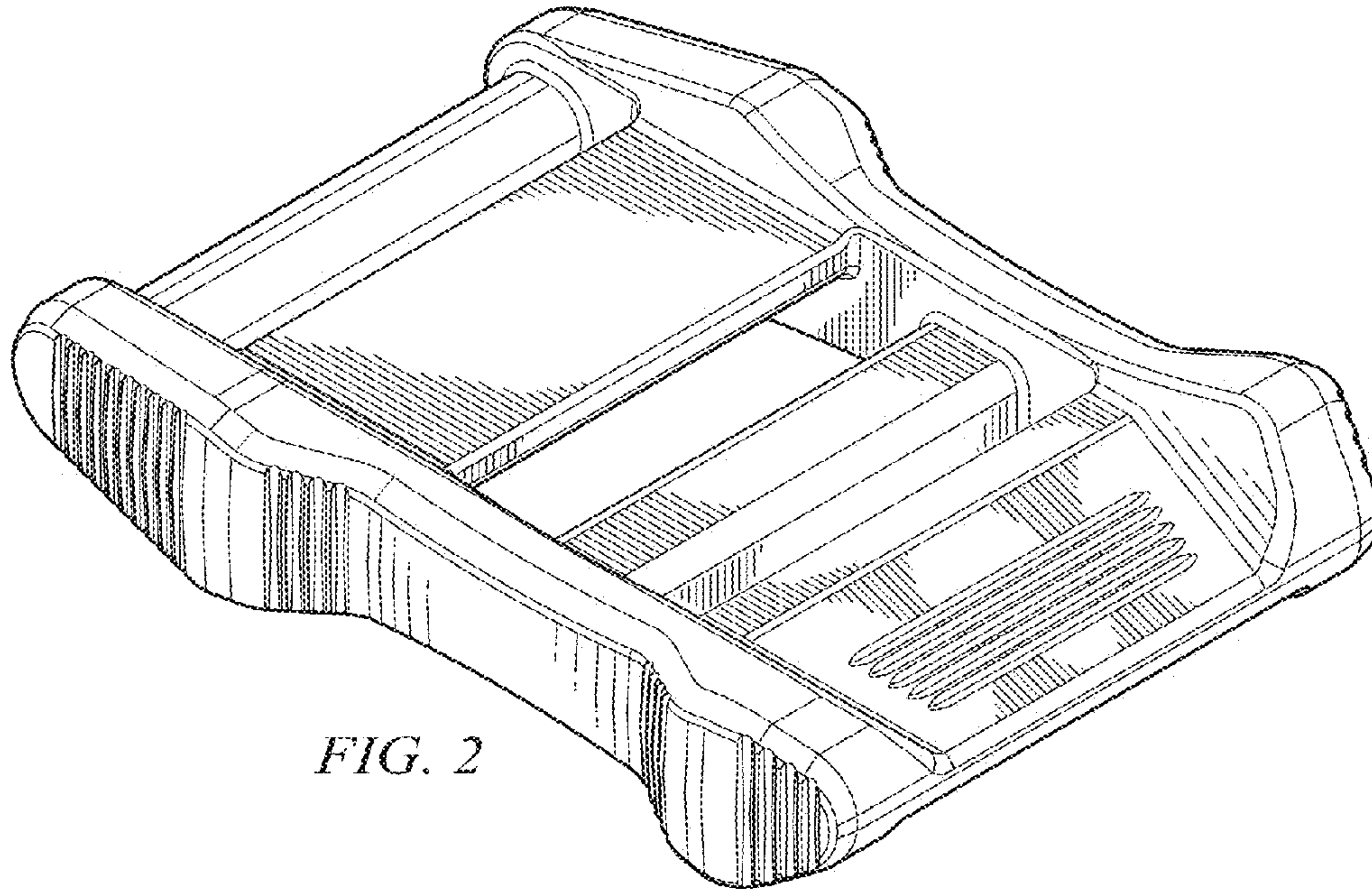


FIG. 2

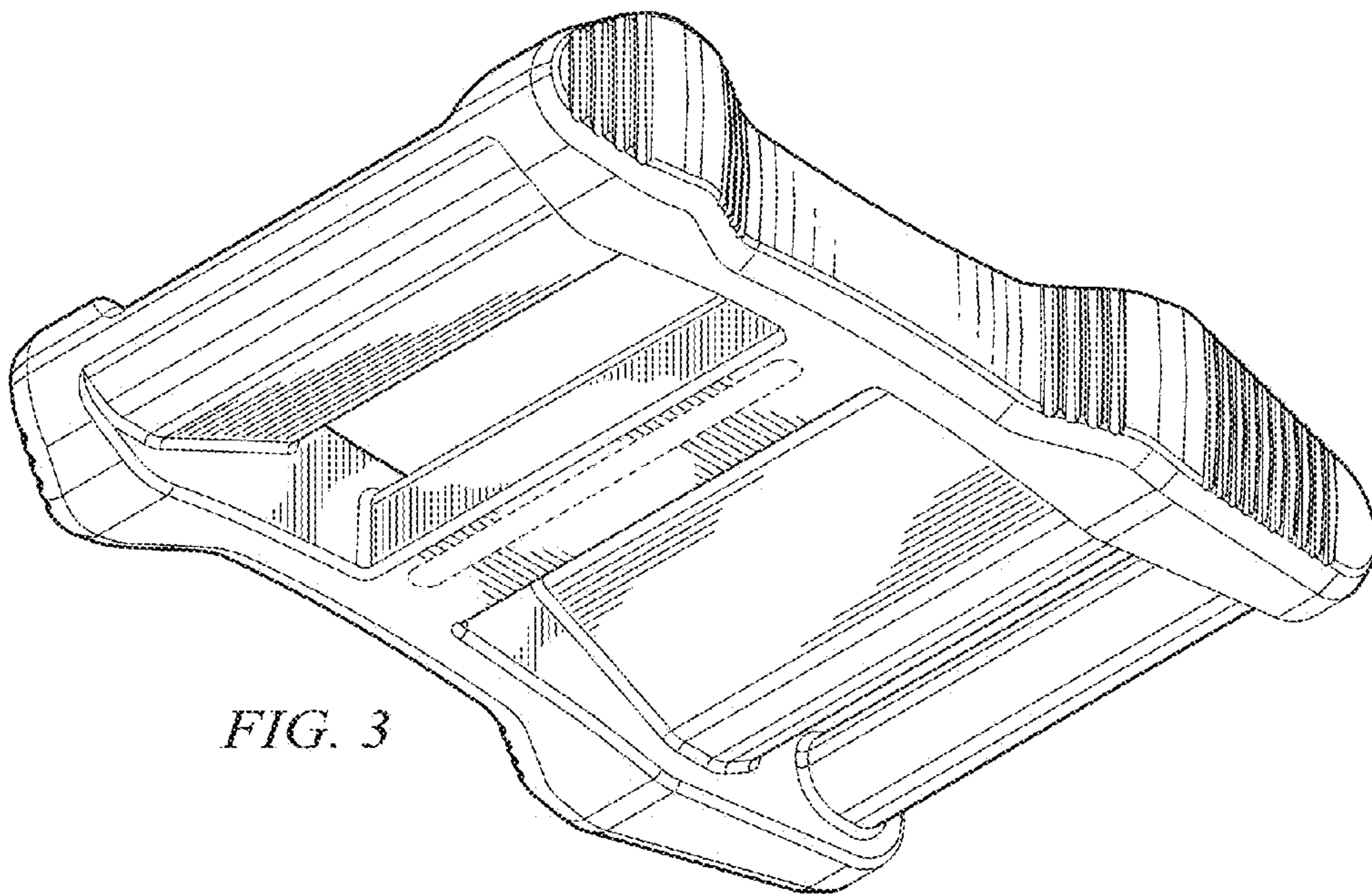


FIG. 3

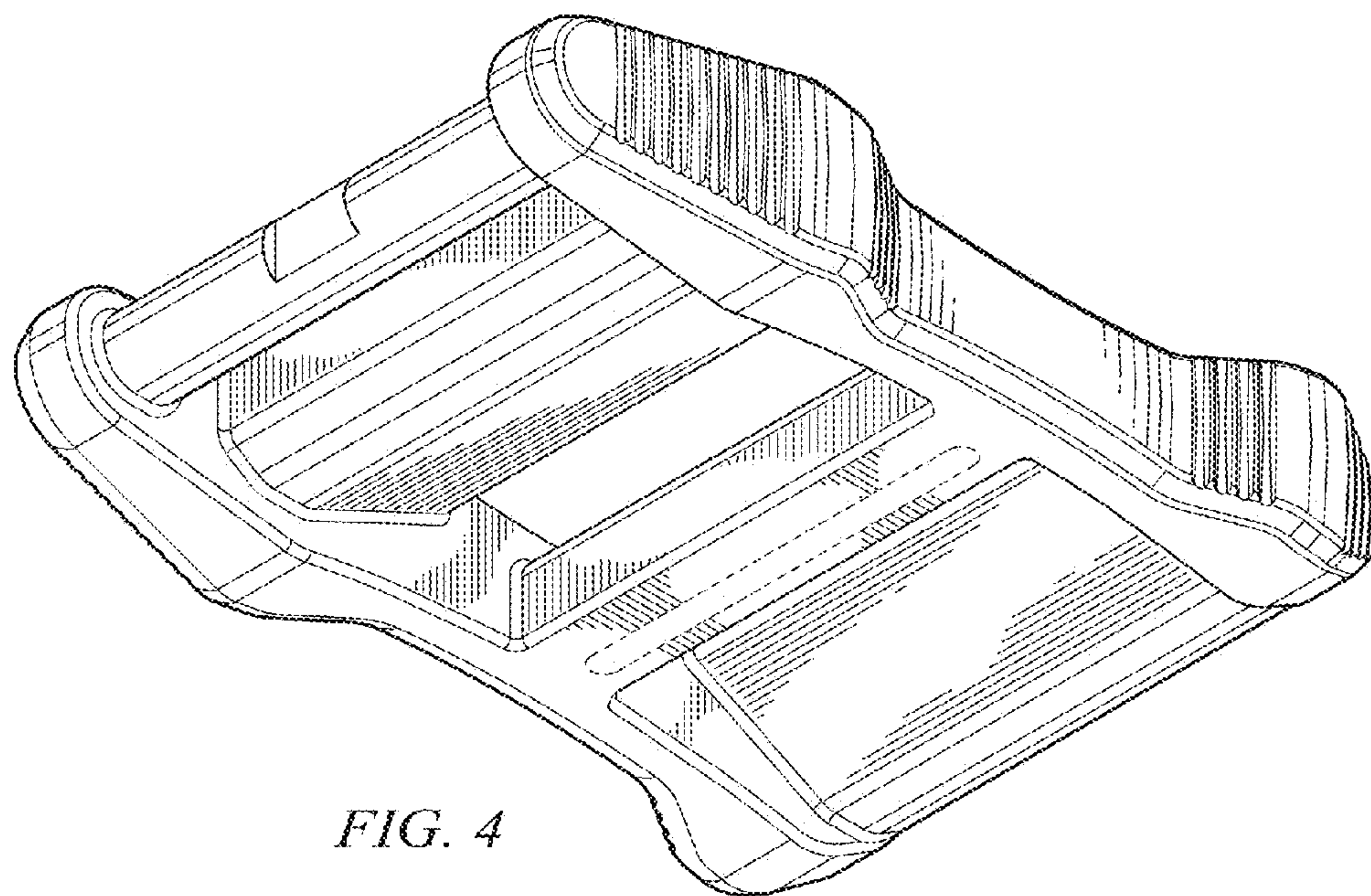


FIG. 4

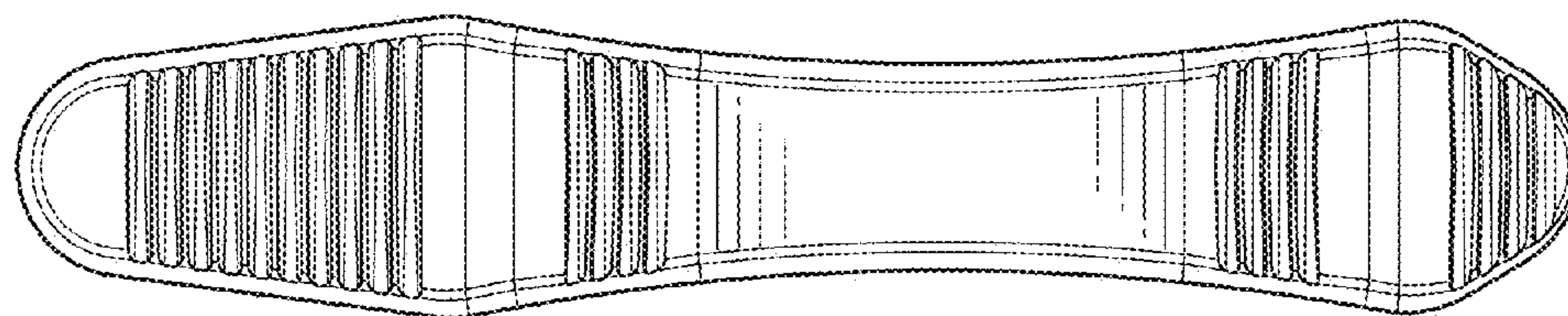


FIG. 5



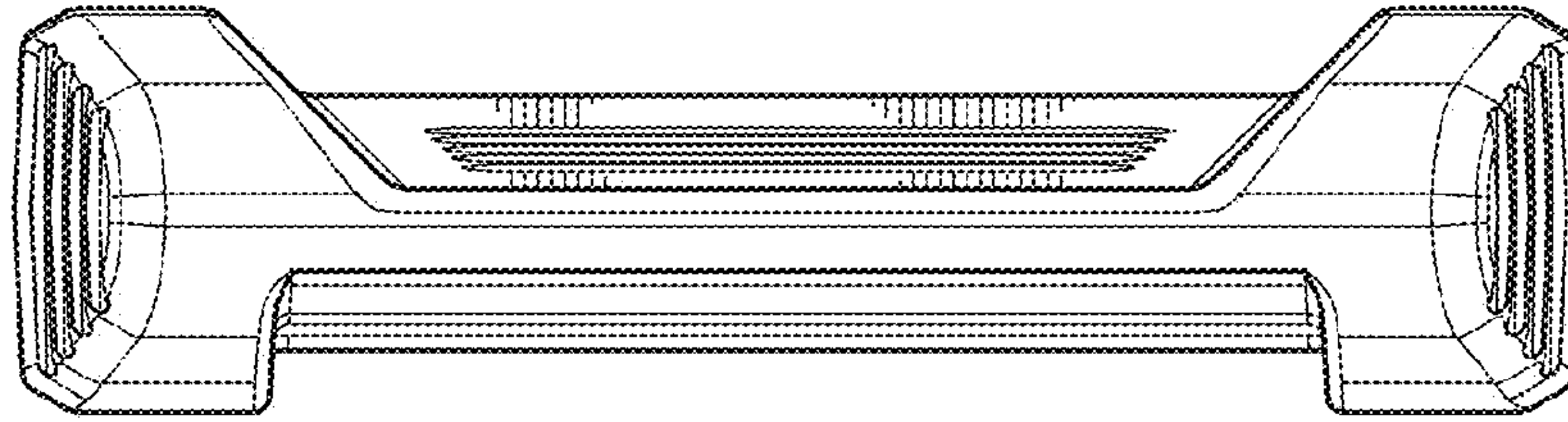


FIG. 6

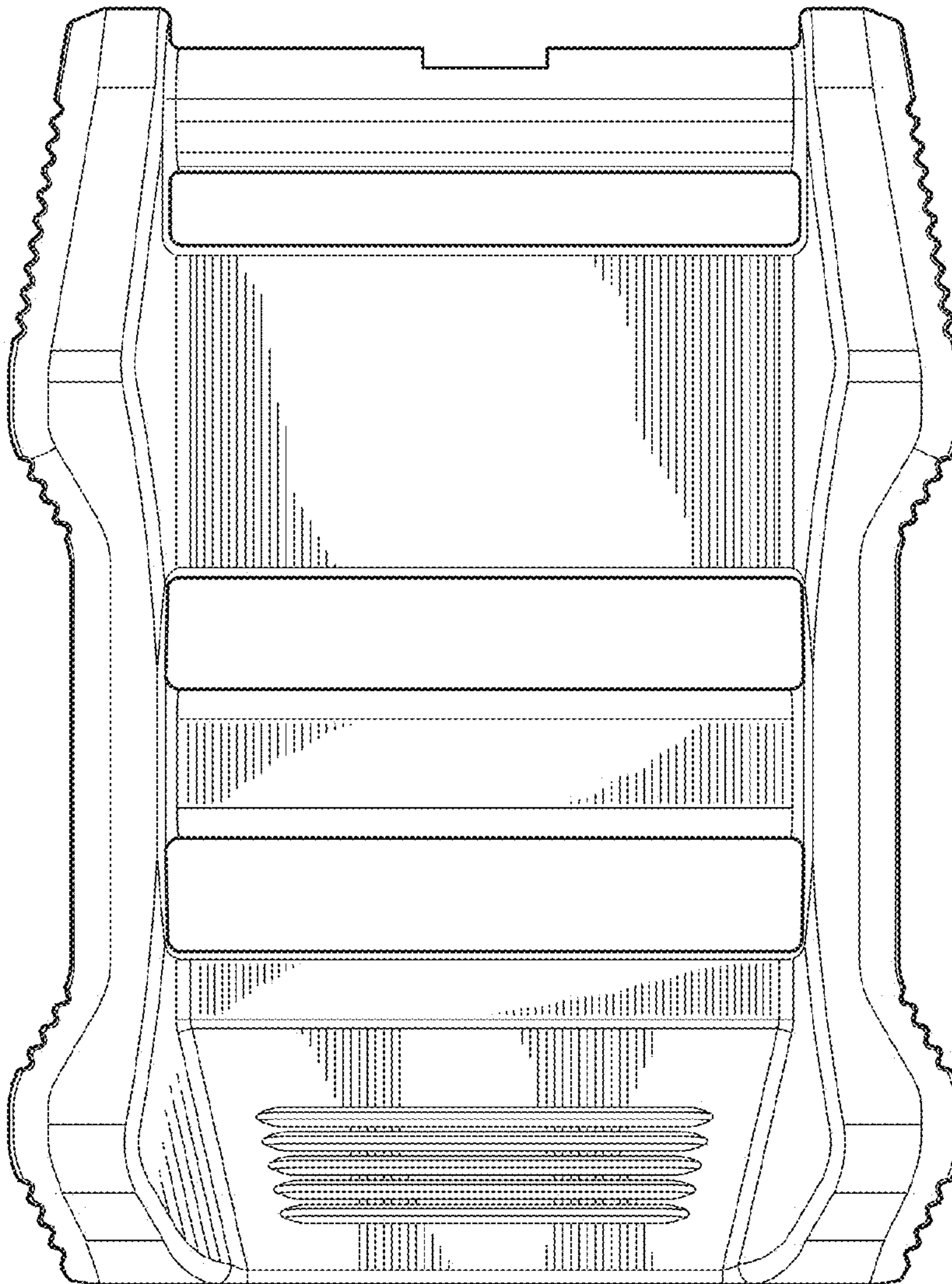


FIG. 8

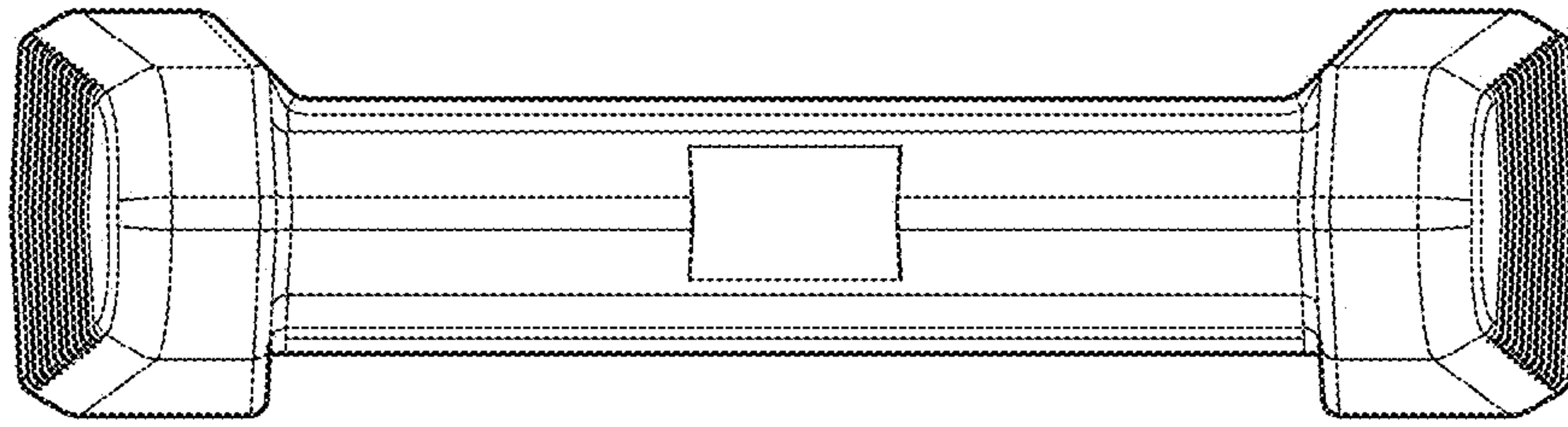


FIG. 7

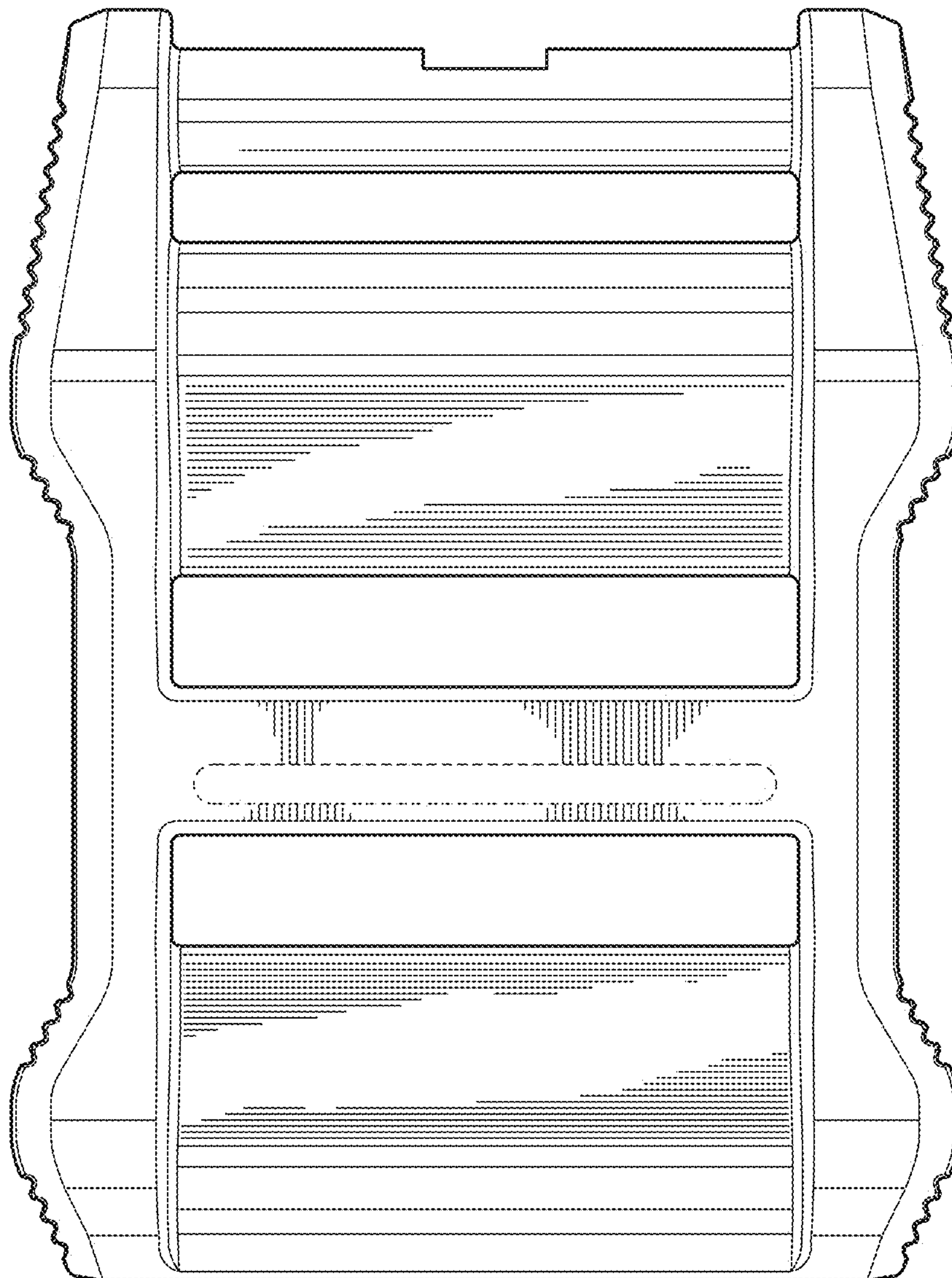


FIG. 9