



US00D710479S

(12) **United States Design Patent**
Nakayama et al.

(10) **Patent No.:** **US D710,479 S**

(45) **Date of Patent:** **** Aug. 5, 2014**

(54) **MAGAZINE FOR A FIREARM**

D593,635 S * 6/2009 Fitzpatrick et al. D22/108
7,562,482 B1 7/2009 Johnson
D600,303 S * 9/2009 Fitzpatrick et al. D22/108

(71) Applicant: **Magpul Industries Corporation**, Erie,
CO (US)

(Continued)

(72) Inventors: **Brian Nakayama**, Arvada, CO (US);
Michael T. Mayberry, Denver, CO
(US); **Nick Kielsmeier**, Thornton, CO
(US); **Brad Bennett**, Lafayette, CO (US)

OTHER PUBLICATIONS

Brownells_2012_AR15-M16_20-30-Round_Magazines
Brownells (2012) AR-15/M16 20- & 30-Round Magazines; Website
[Online] Available Web Site: <http://www.brownells.com/.aspx/pid=21225/Product/AR-15-M16-20-30-ROUND-MAGAZINES>;
Last Update: unknown; Accessed on May 4, 2012.

(Continued)

(73) Assignee: **Magpul Industries Corporation**, Erie,
CO (US)

(**) Term: **14 Years**

Primary Examiner — Michael A Pratt

(21) Appl. No.: **29/450,963**

(74) *Attorney, Agent, or Firm* — Swanson & Bratschun,
L.L.C.

(22) Filed: **Mar. 26, 2013**

(51) **LOC (10) Cl.** **22-01**

(52) **U.S. Cl.**
USPC **D22/108**

(58) **Field of Classification Search**
USPC D22/103, 108; D21/572-573; 42/6, 7,
42/49.01-49.02, 50, 49.1; 89/33.1, 40.06,
89/37.04, 33.04, 191.01; 124/45, 66, 67,
124/74; 362/110

See application file for complete search history.

(57) **CLAIM**

The ornamental design for a magazine for a firearm, as shown
and described.

DESCRIPTION

FIG. 1 is a left, bottom, front perspective view of a magazine
for a firearm showing our new design;
FIG. 2 is a right side elevation view of the magazine for a
firearm of FIG. 1;
FIG. 3 is a left side elevation view of the magazine for a
firearm of FIG. 1;
FIG. 4 is a top plan view of the magazine for a firearm of FIG.
1;
FIG. 5 is a bottom plan view of the magazine for a firearm of
FIG. 1;
FIG. 6 is a front elevation view of the magazine for a firearm
of FIG. 1;
FIG. 7 is a rear elevation view of the magazine for a firearm of
FIG. 1; and,
FIG. 8 is a bottom, right, rear perspective view of the maga-
zine for a firearm of FIG. 1.

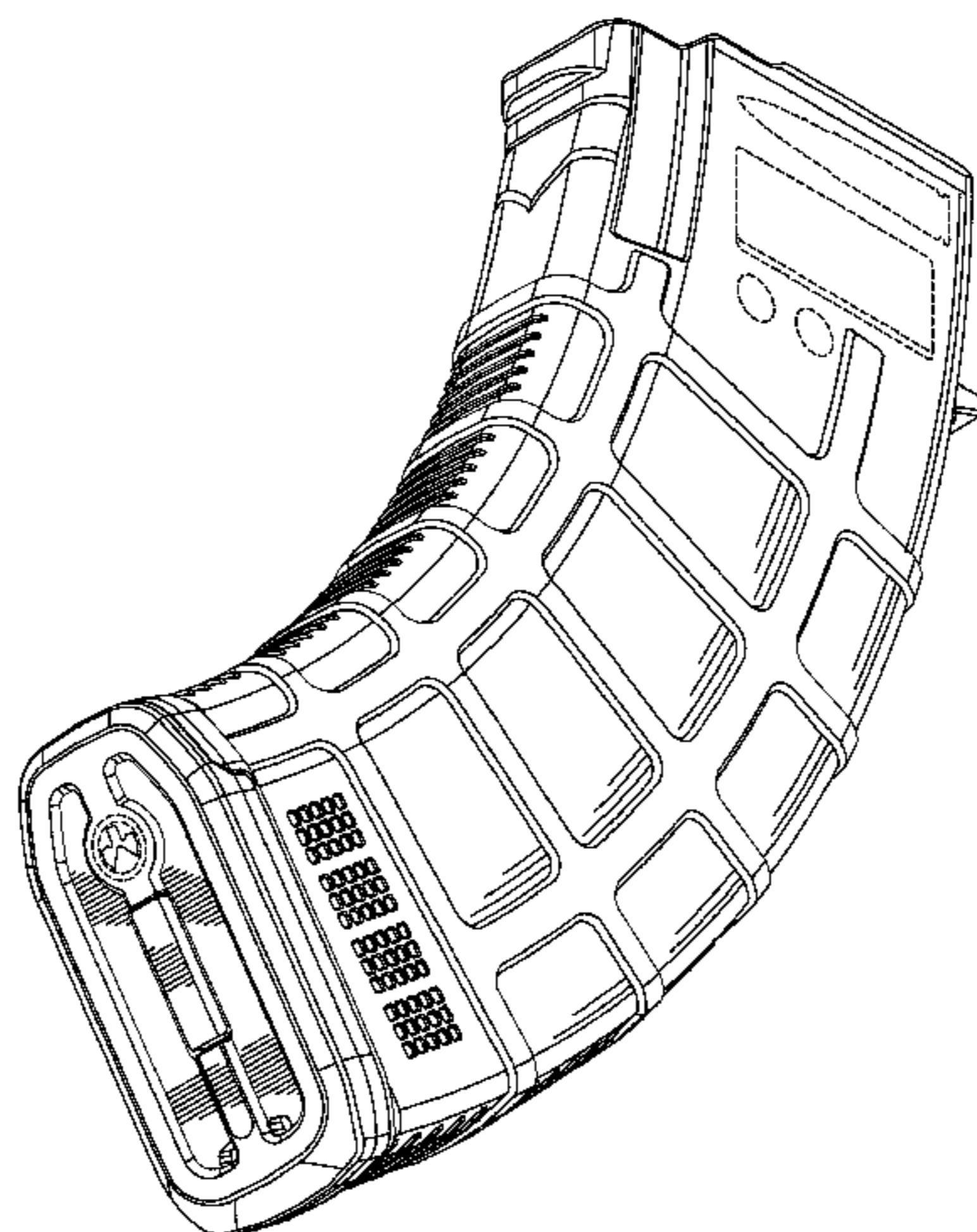
The broken lines showing portions of the design in all figures
is included for the purpose of illustrating environment and
unclaimed features and forms not part of the claimed design.

(56) **References Cited**

U.S. PATENT DOCUMENTS

4,100,694	A	7/1978	Musgrave	
4,139,959	A *	2/1979	Howard et al.	42/50
4,484,404	A	11/1984	Johnson	
4,586,281	A	5/1986	Chesnut	
4,617,749	A	10/1986	Jurek	
4,628,627	A	12/1986	Johnson	
D297,854	S	9/1988	Vyprachticky	
5,099,595	A	3/1992	Chesnut et al.	
D362,044	S	9/1995	Snieszak	
7,261,029	B1 *	8/2007	Davis	89/148
7,373,751	B1	5/2008	Schaffer	

1 Claim, 6 Drawing Sheets



(56)

References Cited

U.S. PATENT DOCUMENTS

7,596,900	B2 *	10/2009	Robinson et al.	42/7
D614,719	S	4/2010	Fitzpatrick	
D614,720	S	4/2010	Fitzpatrick	
D614,721	S *	4/2010	Fitzpatrick et al.	D22/108
D616,057	S	5/2010	Fitzpatrick	
D620,544	S	7/2010	Fitzpatrick	
D620,545	S	7/2010	Fitzpatrick	
7,798,045	B1	9/2010	Fitzpatrick	
D632,752	S	2/2011	Fitzpatrick	
D633,164	S *	2/2011	Fitzpatrick et al.	D22/108
D633,589	S *	3/2011	Fitzpatrick et al.	D22/108
D633,590	S	3/2011	Fitzpatrick	
7,958,660	B2	6/2011	Fitzpatrick	
D642,234	S	7/2011	Marfione	
D642,647	S	8/2011	Fitzpatrick	
8,061,255	B1	11/2011	Boberg	
D678,455	S	3/2013	Hatfield	
D680,613	S	4/2013	Fitzpatrick	
D681,151	S	4/2013	Fitzpatrick	
D695,378	S	12/2013	Fitzpatrick	
8,683,725	B2 *	4/2014	Munson	42/6
2007/0271834	A1 *	11/2007	Keng	42/124
2010/0251590	A1 *	10/2010	Fitzpatrick et al.	42/50
2012/0066950	A1	3/2012	Davidson	
2012/0131838	A1 *	5/2012	Edge et al.	42/90
2012/0255209	A1 *	10/2012	Klassen	42/6
2012/0317857	A1	12/2012	Fitzpatrick	
2013/0086834	A1	4/2013	Battaglia	

OTHER PUBLICATIONS

Brownells AR-15/M16 Tactical Magazine Brownells (Apr. 20, 2010) AR-15/M16 Tactical Magazine; Website [Online] Available Web Site: http://www.brownells.com/.aspx/pid=24307/Product/AR_15_M16_TACTICAL_MAGAZINE; Last Update: Unknown; Accessed on: Apr. 20, 2010.

Cheaperthandirt.com_2010_Mag_AR-15_223_Orlite Cheaperthandirt.com (Apr. 20, 2010) Mag AR-15.223 Orlite 30 Round Israeli Shows Field Use; Website [Online] Available Web Site: <http://www.cheaperthandirt.com/MAG105-1.html>; Last Update: Unknown; Accessed on: Apr. 20, 2010.

EMA Tactical_CDMAG_Countdown_Magazine EMA Tactical (Apr. 20, 2010) CDMAG Countdown Magazine; Website [Online] Available Web Site: <http://www.ematactical.com/viewProduct.asp?ID=278&catID=8>; Last Update: Unknown, Accessed on: Apr. 20, 2010.

Foltz (Feb. 21, 2007) 5.56mm 30 Round Magazine Improvement Programs; PDF [Online] Available Web Site: <http://www.dtic.mil/ndia/2006smallarms/foltz.pdf> Last Update: Feb. 21, 2007; Accessed on: Apr. 20, 2010.

Gunbroker.com_2010_Eagle_International_223_Polymer_Magazine Gunbroker.com (Apr. 20, 2010) Eagle International 223 Polymer Magazine 223; Website [Online] Available Web Site: <http://www.gunbroker.com/Auction/ViewItem.aspx?Item=164602069#PIC>; Last Update: Unknown; Accessed on: Apr. 20, 2010.

HKParts.net_2010_HK_G36_30_Round_Magazine HKParts.net (Apr. 20, 2010) HK G36 30 Round Magazine; Website [Online] Available Web Site: <http://www.hkparts.net/shop/pc/HK-G36-30-Round-Mag-Fits-G36-G36K-G36C-Converted-SL8-s-182p624.htm>; Last Update: Unknown; Accessed on: Apr. 20, 2010.

HKParts.net_2010_30_Round_HK_416_KCI_Steel_556_Magazine HKParts.net (Apr. 20, 2010) 30 Round HK 416 KCI Steel .556 Magazine; Website [Online] Available Web Site: <http://www.hkparts.net/shop/pc/30-Round-HK-416-KCI-Steel-556-Magazine-64p982.htm>; Last Update: Unknown; Accessed on: Apr. 20, 2010.

HKParts.net_2010_SL8_20_Round_Single_Stack_Magazine HK Parts.net (May 7, 2010) SL8 20 Round Single Stack Magazine; Website [Online] Available Web Site: <http://www.hkparts.net/shop/pc/SL8-20-Round-Single-Stack-Magazine-182p805.htm>; Last Update: Jul. 6, 2010; Accessed on May 4, 2012.

Lancer_Systems_2012_AWM_Magazine Lancer Systems (2012) L5 AWM Magazine; Website [Online] Available Web Site: http://www.lancer-systems.com/L5_AWM.html; Last Update: Unknown; Accessed on: May 4, 2012.

Lancer_Systems_2010_L5_Translucent_Magazine Lancer Systems (Apr. 20, 2010) L5 Translucent Magazine; Website [Online] Available Web Site: http://www.lancer-systems.com/L5_2010_30.html; Last Update: Unknown; Accessed on: Apr. 20, 2010.

Lancer_Systems_2010_L5_Translucent_Magazine_20-30_Round_Lancer_Systems (Apr. 16, 2010) L5 Translucent Magazine 2- & 30 Round Magazines; Website [Online] Available Web Site: http://www.lancer-systems.com/L5_2010_30.html; Last Update: Nov. 14, 2010; Accessed on: May 4, 2012.

Magpul_2010_PMAG_Magazines Magpul (Jan. 3, 2010) PMAG Magazines; Website [Online] Available Web Site: http://store.magpul.com/prod_detail_list/2 Last Update: Dec. 2, 2010 Accessed on: May 4, 2012.

Remtek.com_1999_Steyr_AUG_Magazine_Group Remtek.com (Oct. 4, 1999) Steyr AUG Magazine Group; Website [Online] Available Web Site: <http://www.remtek.com/arms/steyr/aug/specs/magazine/magazine.htm> Last Update: Apr. 7, 2009; Accessed on: May 4, 2012.

Tangodown_2010_ARC-L_Magazine TangoDown (Apr. 20, 2010) ARC-L Magazine; Website [Online] Available Web Site: http://tangodown.com/shop/product_info.php?products_id=126; Last Update: Unknown; Accessed on: Apr. 20, 2010.

ThermoldMagazines.com_2010_Magazines Thermoldmagazines.com (Apr. 20, 2010) Magazines; Website [Online] Available Web Site: <http://www.thermoldmagazines.com/magazines.html>; Last Update: Unknown; Accessed on: Apr. 20, 2010.

ThermoldMagazines.com_2012_M-16AR-M15-30-Magazines Thermoldmagazines.com (2012) M-16/AR-15/30-Magazine; Website [Online] Available Web Site: <http://www.thermoldmagazines.com/collections/magazines-accessories/products/m-16-ar-15-30-magazine>; Last Update: Unknown; Accessed on: May 4, 2012.

Troyind.com_2010_Troy_BattleMag Troyind.com (Apr. 20, 2010) Troy BattleMag; Website [Online] Available Web Site: http://store.troyind.com/Troy_BattleMag_p/smag-sin-00bt-00.htm; Last Update: Unknown; Accessed on: Apr. 20, 2010.

Design U.S. Appl. No. 29/410,910, filed Jan. 13, 2012, "PMAG 30M3 Firearm Magazine" by Fitzpatrick.

Design U.S. Appl. No. 29/420,155, filed May 4, 2012, "Translucent Magazine for a Firearm" by Fitzpatrick.

Design U.S. Appl. No. 29/423,116, filed May 29, 2012, "M3 10 Magazine" by Bennett.

Design U.S. Appl. No. 29/423,117, filed May 29, 2012, "M3 20 Magazine" by Bennett.

Design U.S. Appl. No. 29/440,787, filed Dec. 27, 2012, "Firearm Magazine" by Mayberry.

Design U.S. Appl. No. 29/440,889, filed Dec. 28, 2012, "Firearm Magazine" by Kielsmeier.

Design U.S. Appl. No. 29/440,792, filed Dec. 27, 2012, "Firearm Magazine with Window" by Kielsmeier.

Design U.S. Appl. No. 29/450,964, filed Mar. 26, 2013, "Magazine for a Firearm" by Nakayama.

* cited by examiner

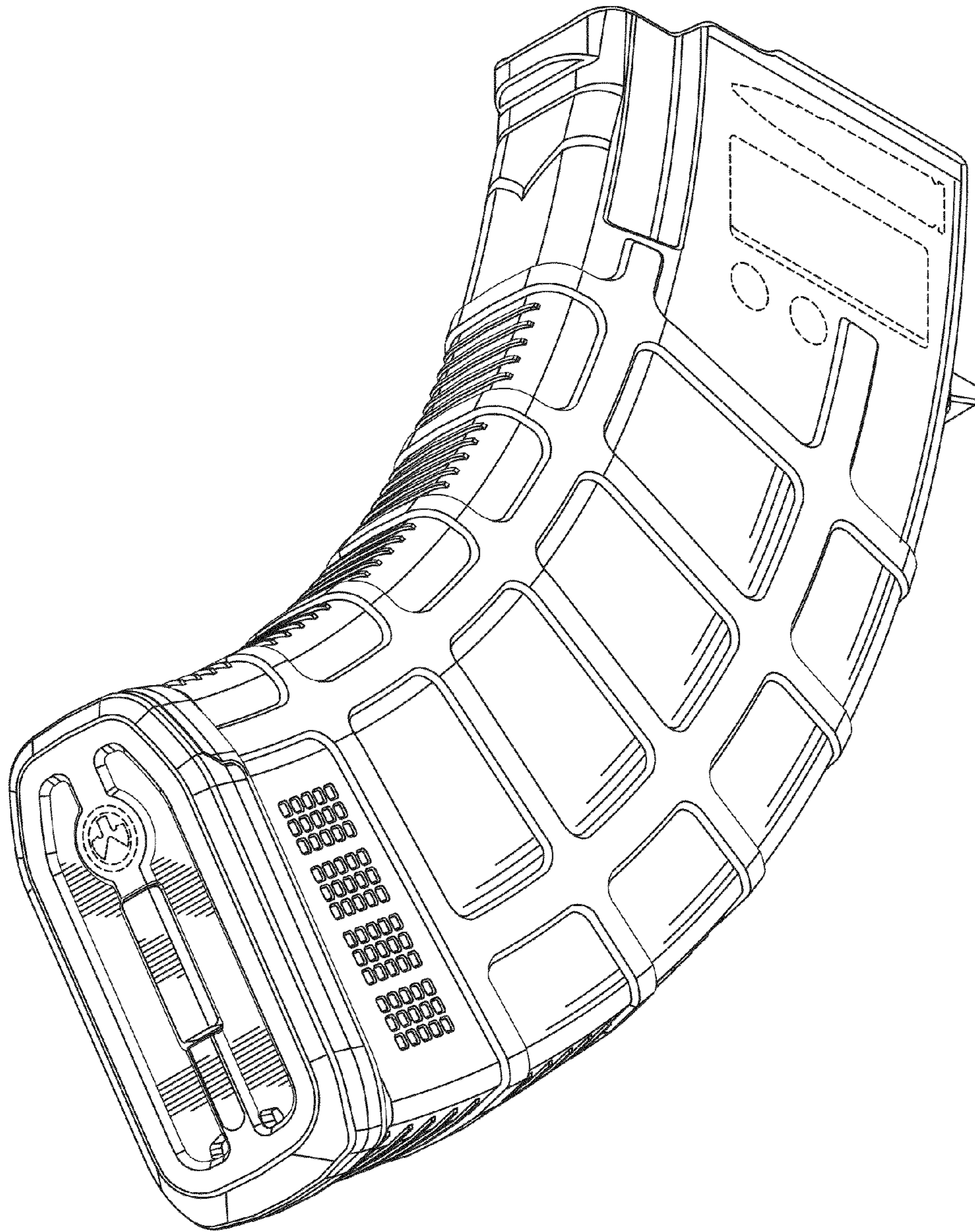


FIG. 1

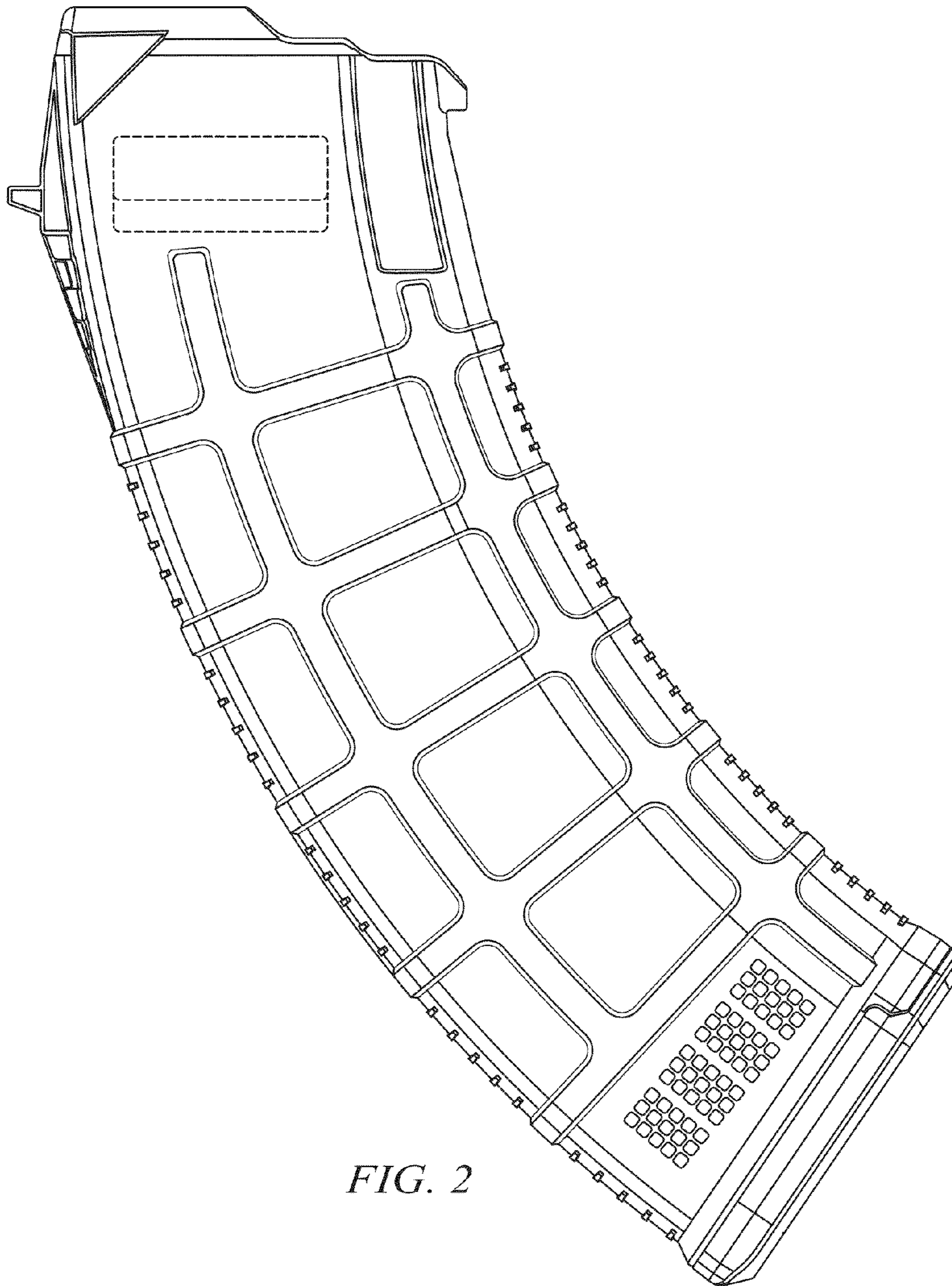


FIG. 2

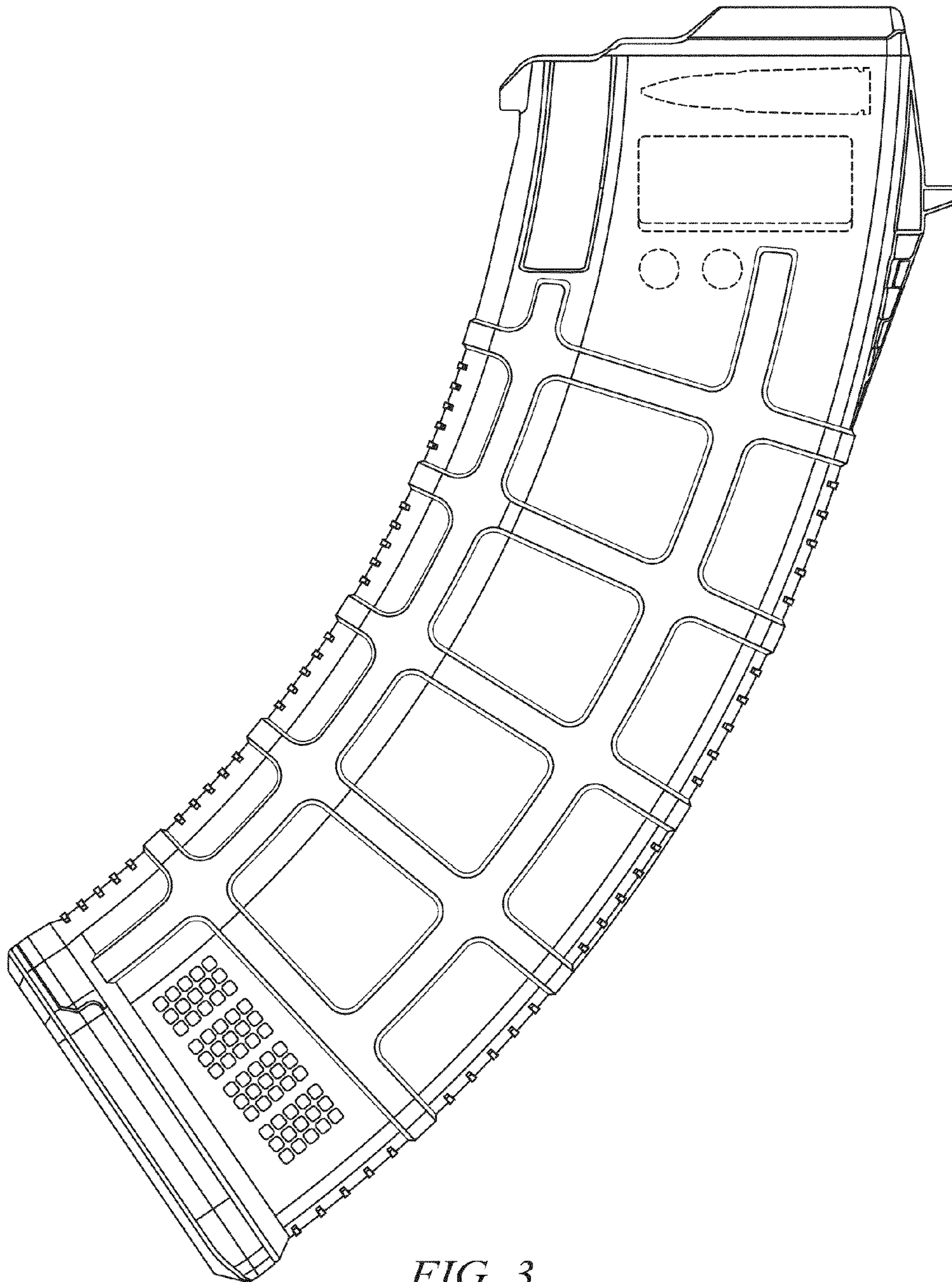


FIG. 3

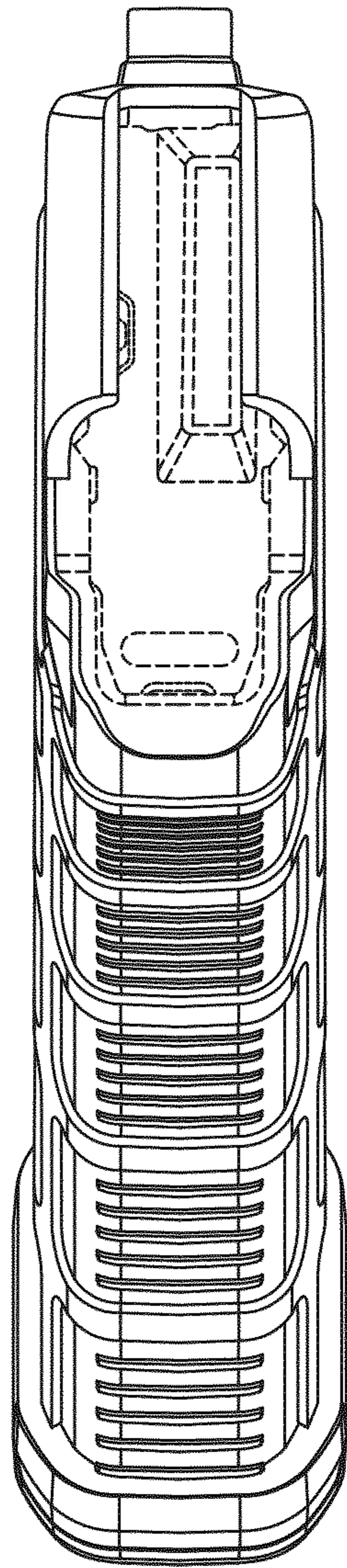


FIG. 4

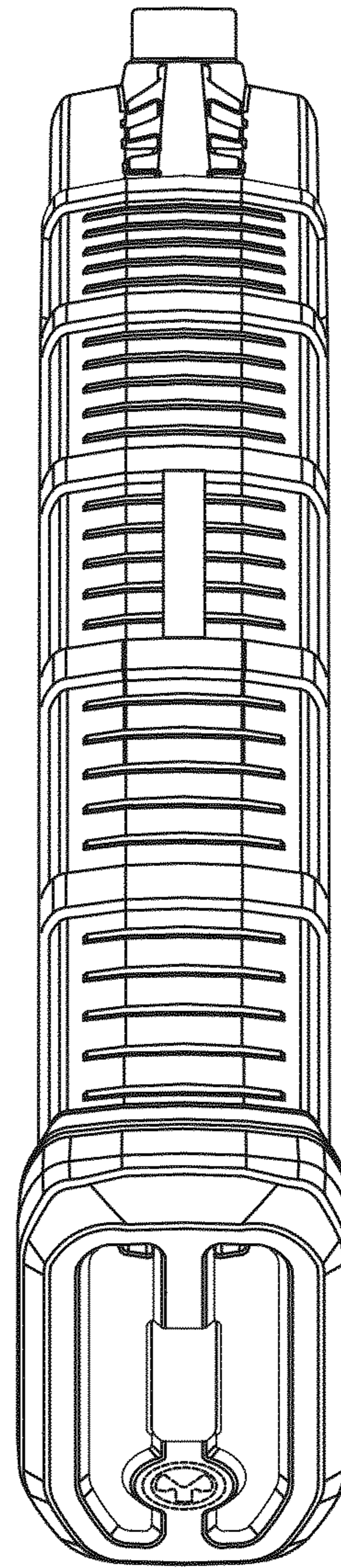


FIG. 5

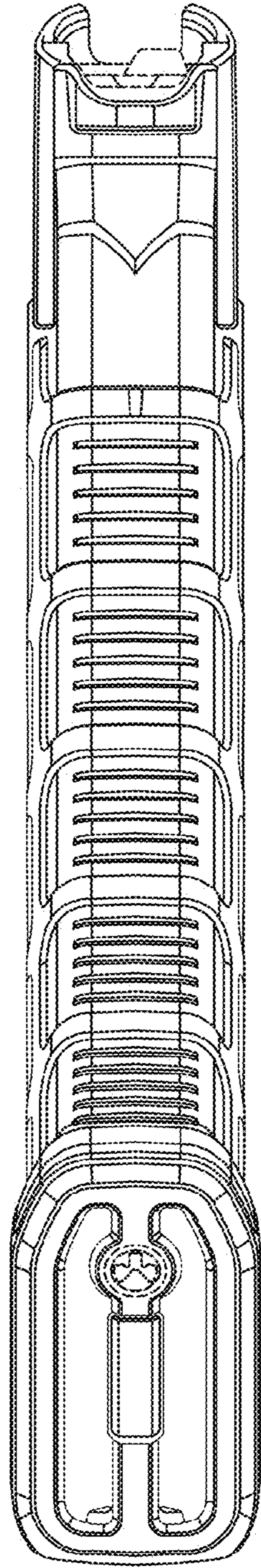


FIG. 6

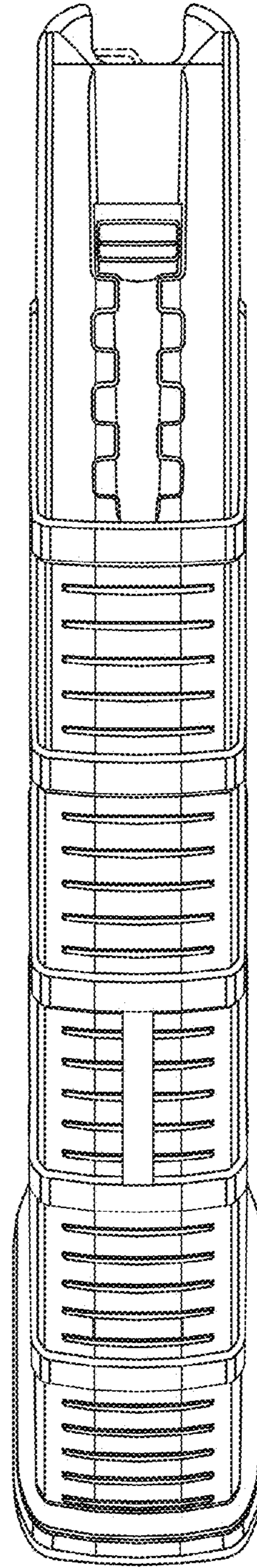


FIG. 7

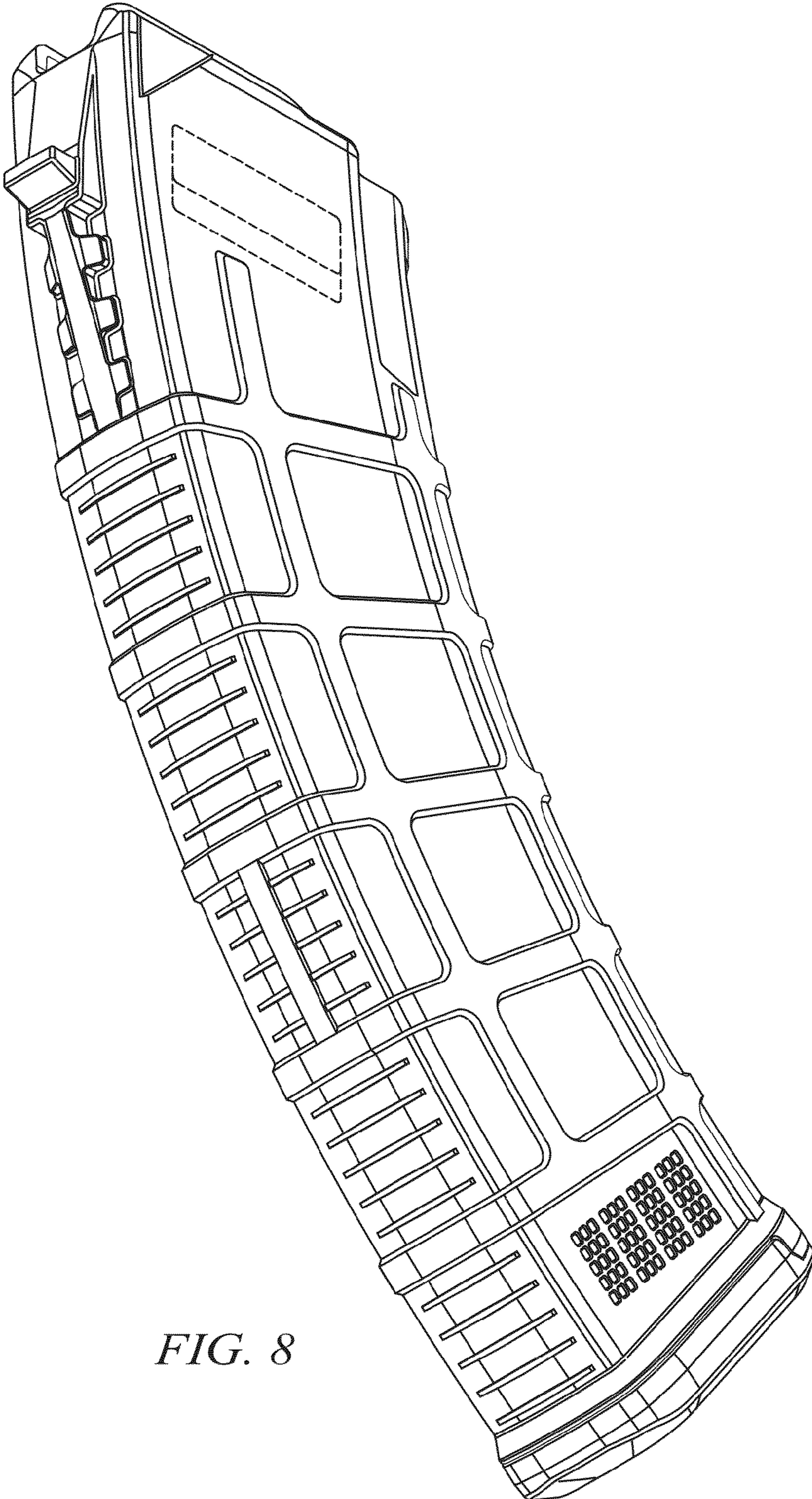


FIG. 8