



US00D710478S

(12) **United States Design Patent**
Kauranen

(10) **Patent No.:** **US D710,478 S**

(45) **Date of Patent:** **** Aug. 5, 2014**

(54) **RIFLE STOCK**

(71) Applicant: **Slide Fire Solutions LP**, Moran, TX
(US)

(72) Inventor: **Todd E Kauranen**, Chelsea, MI (US)

(73) Assignee: **Slide Fire Solutions, LP**, Moran, TX
(US)

(**) Term: **14 Years**

(21) Appl. No.: **29/447,461**

(22) Filed: **Mar. 4, 2013**

(51) **LOC (10) Cl.** **22-01**

(52) **U.S. Cl.**
USPC **D22/108**

(58) **Field of Classification Search**
USPC D22/103, 108; D21/572-573; 42/51,
42/90, 71.01, 71.02, 73, 75.01, 75.02;
362/160; 89/40.06, 37.04, 33.04;
33/334

See application file for complete search history.

(56) **References Cited**

U.S. PATENT DOCUMENTS

| | | | | |
|-----------|-----|---------|-----------------------|--|
| 554,068 | A | 2/1896 | Kimball | |
| 981,210 | A | 1/1911 | Menteyne et al. | |
| 1,587,009 | A | 1/1926 | Bobbe | |
| 2,220,663 | A | 11/1940 | Rossmannith | |
| 2,361,985 | A | 11/1944 | Birkigt | |
| 2,465,587 | A | 3/1949 | Sampson et al. | |
| 3,031,786 | A | 5/1962 | Robert | |
| 3,785,243 | A | 1/1974 | Christakos | |
| 4,002,101 | A | 1/1977 | Tellie | |
| 4,112,817 | A * | 9/1978 | Bourlet 89/33.1 | |
| 4,553,468 | A | 11/1985 | Castellano et al. | |
| 4,787,288 | A | 11/1988 | Miller | |
| 4,803,910 | A | 2/1989 | Troncoso | |
| 5,074,190 | A | 12/1991 | Troncoso | |

| | | | | |
|-----------|-----|---------|------------------------|--|
| 5,092,052 | A | 3/1992 | Godsey | |
| 5,780,762 | A | 7/1998 | Kobayashi | |
| 5,852,691 | A | 12/1998 | Onishi et al. | |
| 5,979,098 | A | 11/1999 | Griggs | |
| 6,101,918 | A | 8/2000 | Akins | |
| 6,152,012 | A * | 11/2000 | Sherwood 89/33.4 | |
| 6,164,002 | A | 12/2000 | Troncoso | |
| 6,807,762 | B1 | 10/2004 | Leung | |

(Continued)

OTHER PUBLICATIONS

“[Archived Thread]—My Akins Accelerated 10/22 can kick your 10/22 ass . . . ” Purported Internet discussion thread. Aug. 13-22, 2006. (Copyright); Relevant pages may include p. 3 of 5. [http://www.ar15.com/forums/t_6_11/203814_.html].

(Continued)

Primary Examiner — Michael A Pratt

(74) *Attorney, Agent, or Firm* — Endurance Law Group, PLC

(57) **CLAIM**

I claim the ornamental design for a rifle stock, as shown and described.

DESCRIPTION

FIG. 1 is perspective view of a rifle stock according to the present invention;

FIG. 2 is another perspective view of the rifle stock;

FIG. 3 is a right side view of the rifle stock;

FIG. 4 is a left side view of the rifle stock;

FIG. 5 is a top view of the rifle stock;

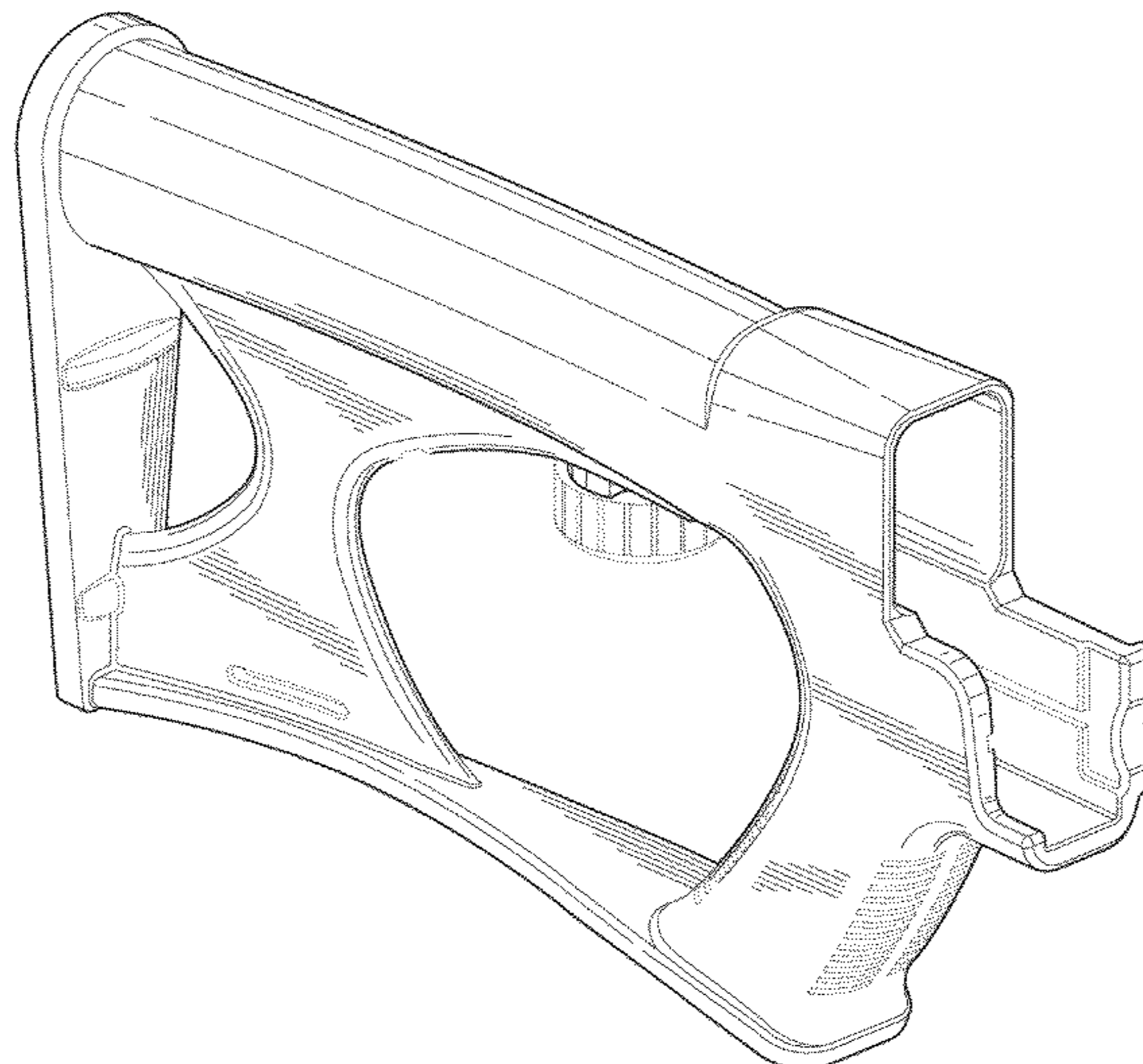
FIG. 6 is a bottom view of the rifle stock;

FIG. 7 is a front end view of the rifle stock; and,

FIG. 8 is a butt end view of the rifle stock.

The broken line showing of aspects of the rifle stock is included for the purpose of illustrating environment and forms no part of the claimed design.

1 Claim, 6 Drawing Sheets



(56)

References Cited

U.S. PATENT DOCUMENTS

6,966,138 B1 11/2005 Deckard
 7,225,574 B2 6/2007 Crandall et al.
 7,273,002 B1 9/2007 Rogers
 7,340,857 B1 3/2008 Bentley
 7,398,723 B1 7/2008 Blakeley
 7,562,614 B2 7/2009 Polston
 7,596,900 B2 10/2009 Robinson et al.
 7,694,620 B1 * 4/2010 Narus 89/33.1
 D636,833 S * 4/2011 Mayberry et al. D22/108
 D640,342 S * 6/2011 Fitzpatrick et al. D22/108
 8,051,593 B2 11/2011 Vesligaj
 8,127,658 B1 * 3/2012 Cottle 89/140
 8,176,835 B1 * 5/2012 Cottle 89/140
 D661,366 S * 6/2012 Zusman D22/108
 8,356,542 B2 * 1/2013 Cottle et al. 89/140
 8,371,208 B2 * 2/2013 Cottle 89/140
 8,448,562 B2 * 5/2013 Cottle 89/140
 8,474,169 B2 * 7/2013 Cottle et al. 42/73
 8,607,687 B2 * 12/2013 Cottle 89/140
 2005/0183312 A1 8/2005 Speaks
 2006/0123683 A1 6/2006 Garrett et al.
 2010/0071246 A1 3/2010 Vesligaj
 2010/0205846 A1 * 8/2010 Fitzpatrick et al. 42/73
 2011/0113665 A1 * 5/2011 Cottle et al. 42/73
 2011/0173863 A1 * 7/2011 Ingram 42/73
 2011/0192067 A1 * 8/2011 Troy 42/73
 2011/0283586 A1 * 11/2011 Scallie et al. 42/84
 2012/0042556 A1 2/2012 Vesligaj
 2012/0055328 A1 * 3/2012 Cottle 89/125
 2012/0117843 A1 * 5/2012 Cottle 42/69.01
 2012/0144994 A1 * 6/2012 Cottle 89/140
 2012/0174455 A1 * 7/2012 Edelman et al. 42/71.01
 2012/0174456 A1 * 7/2012 DePierro et al. 42/71.01
 2012/0174457 A1 * 7/2012 Edelman 42/72
 2012/0240441 A1 * 9/2012 Cottle 42/71.01
 2012/0240442 A1 * 9/2012 Cottle et al. 42/71.01

2012/0272819 A1 * 11/2012 Cottle 89/139
 2012/0291328 A1 * 11/2012 Cottle et al. 42/71.01
 2012/0311907 A1 * 12/2012 Cottle 42/71.01

OTHER PUBLICATIONS

“Akins Accelerator Decision v 2.0”; Purported internet discussion thread. Jan. 9-Jun. 30, 2007. [<http://thefiringline.com/forums/archive/index.php?t-234087.html>].
 “Another neutered Akins accelerator FS”; Purported Internet discussion thread. Jan. 19-30, 2009. [<http://1919a4.com/showthread.php?21872-Another-neutered-Akins-accelerator-FS>].
 “ATF reverses decision . . .”; Purported Internet discussion thread. Dec. 6-24, 2006. [<http://www.thehighroad.org/archive/index.php/t-240357.html>].
 “Bill_Akins> albums> Private concepts”; Purported video posted to internet. Oct. 16, 2008. [<http://good-times.webshots.com/video/3011228380099763970axOjzH>].
 “Just Wanted To Show Off My Bumpfiring Toy”; Purported Internet discussion thread with embedded videos. Nov. 13, 2008-May 14, 2010; Relevant pages may include p. 1 of 2. [<http://forum.saiga-12.com/index.php?/topic/31610-just-wanted-to-show-off-my-bumpfiring-toy-p/>].
 “More Thoughts on the Akins Accelerator”; Purported Internet discussion thread. May 29, 2008-Sep. 25, 2009. [http://armsandthelaw.com/archives/2008/05/atkins_accelera.php].
 “Screw the ATF and 1022”; Purported Internet discussion thread. Apr. 10-11, 2007. [<http://www.thehighroad.org/archive/index.php/t-268573.html>].
 “Turn in Your Killer Springs Here”; Purported Internet discussion thread. Jan. 9-10, 2007. [<http://www.thehighroad.org/archive/index.php/t-246764.html>].
 Michael Foeller II letter from US Department of Justice, Bureau of Alcohol, Tobacco, Firearms and Explosives, Jun. 18, 2008.
 Michael Johnson letter from US Department of Justice, Bureau of Alcohol, Tobacco, Firearms and Explosives, Jun. 26, 2008.

* cited by examiner

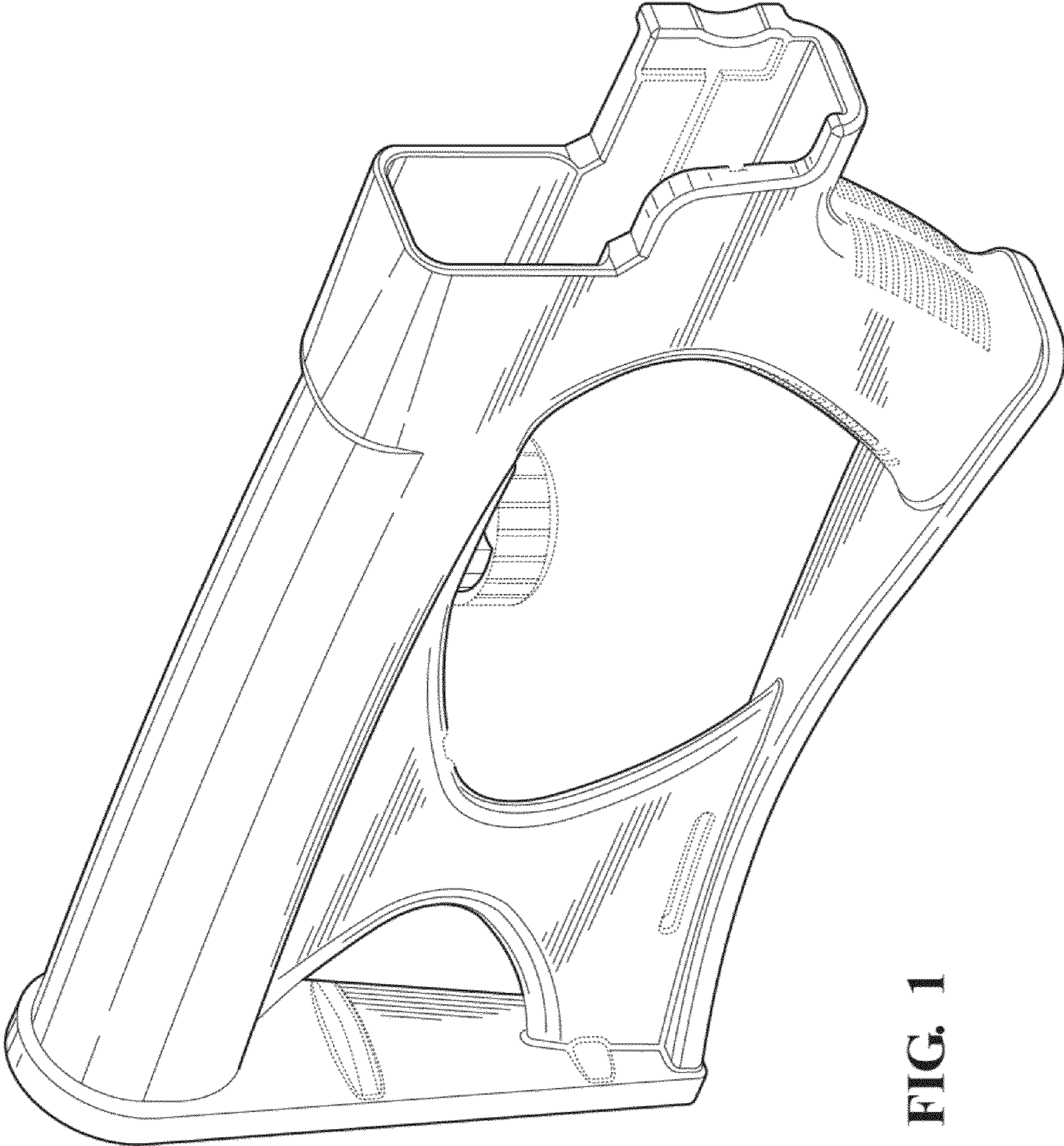


FIG. 1

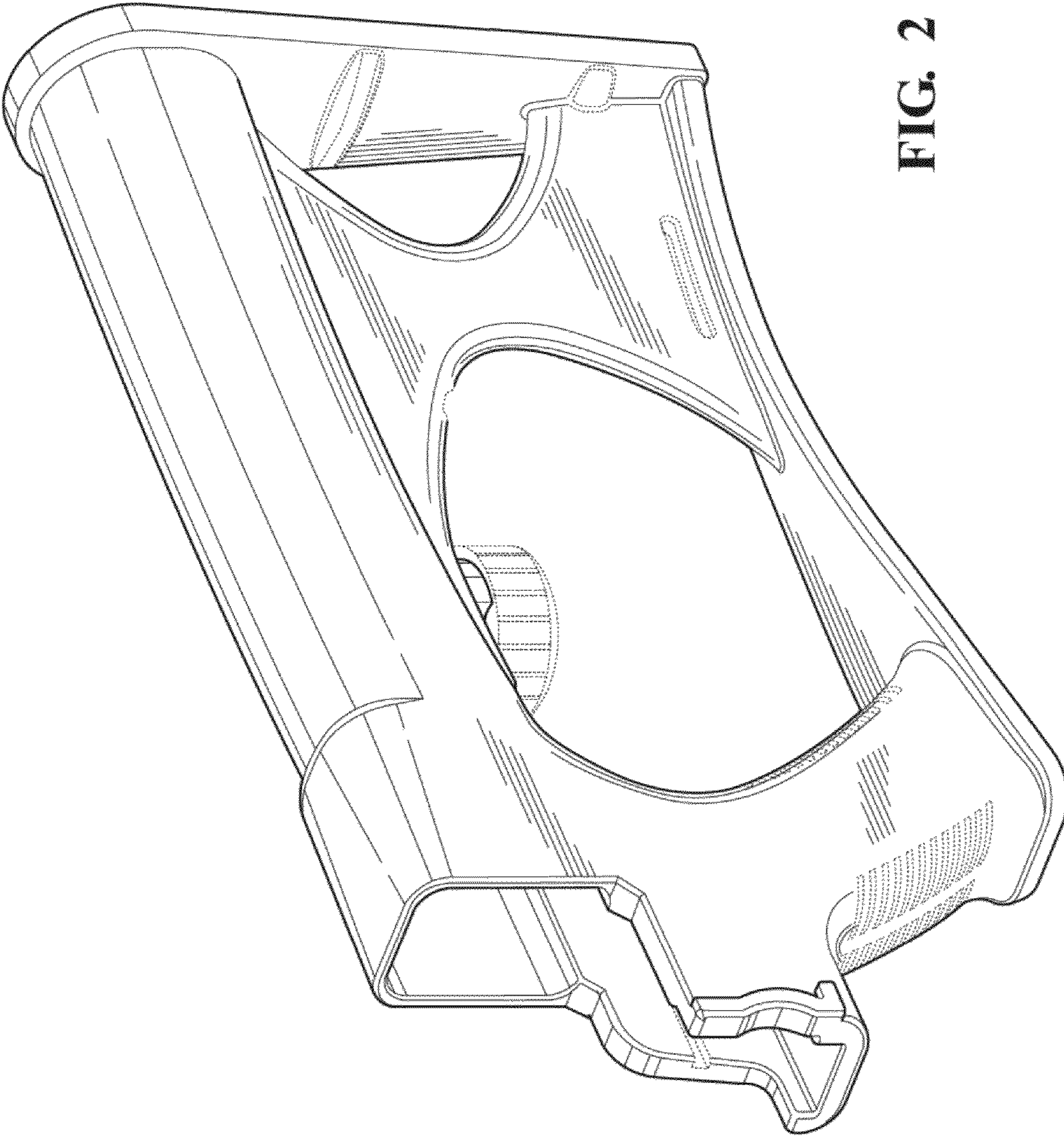


FIG. 2

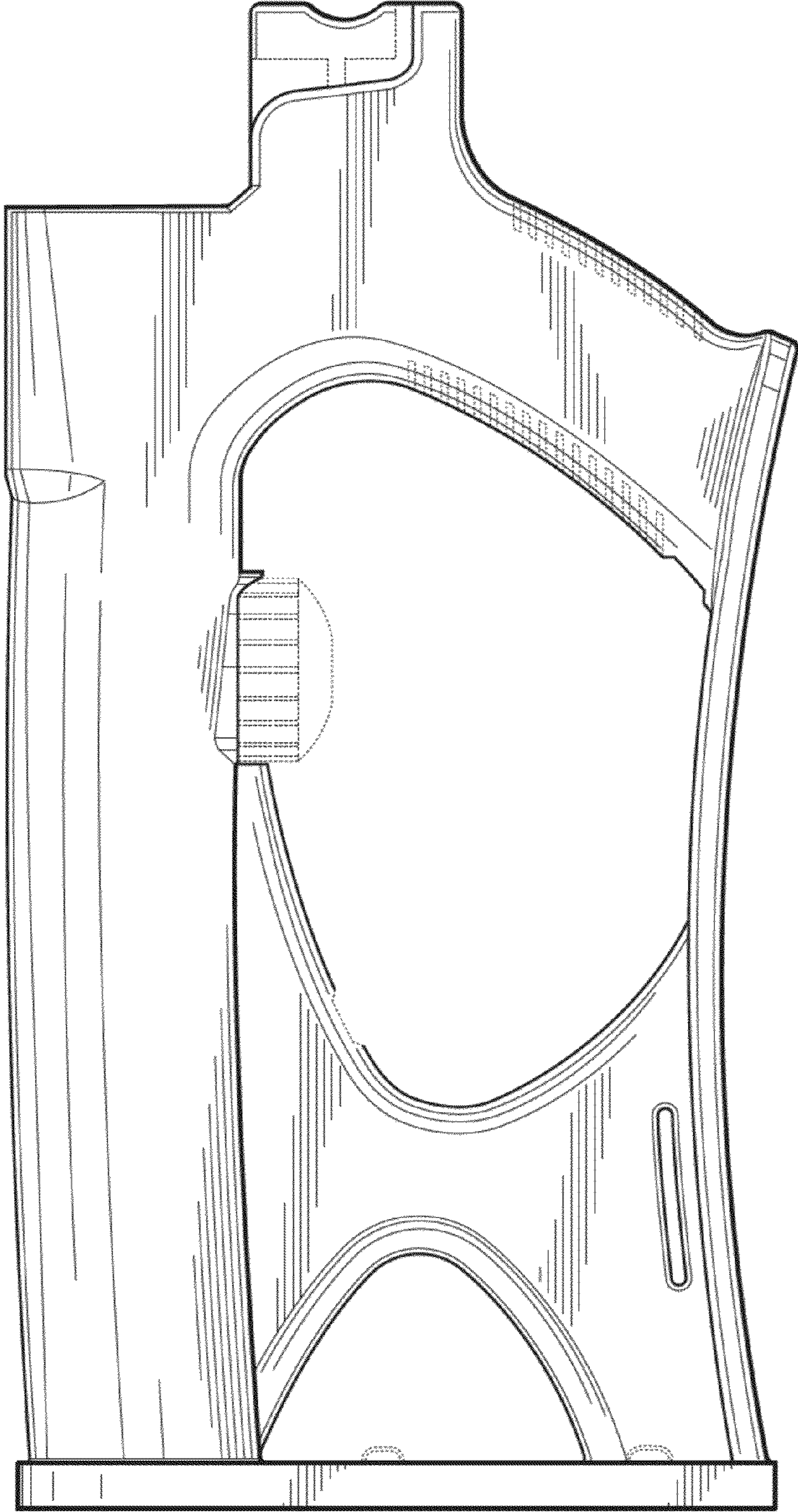


FIG. 3

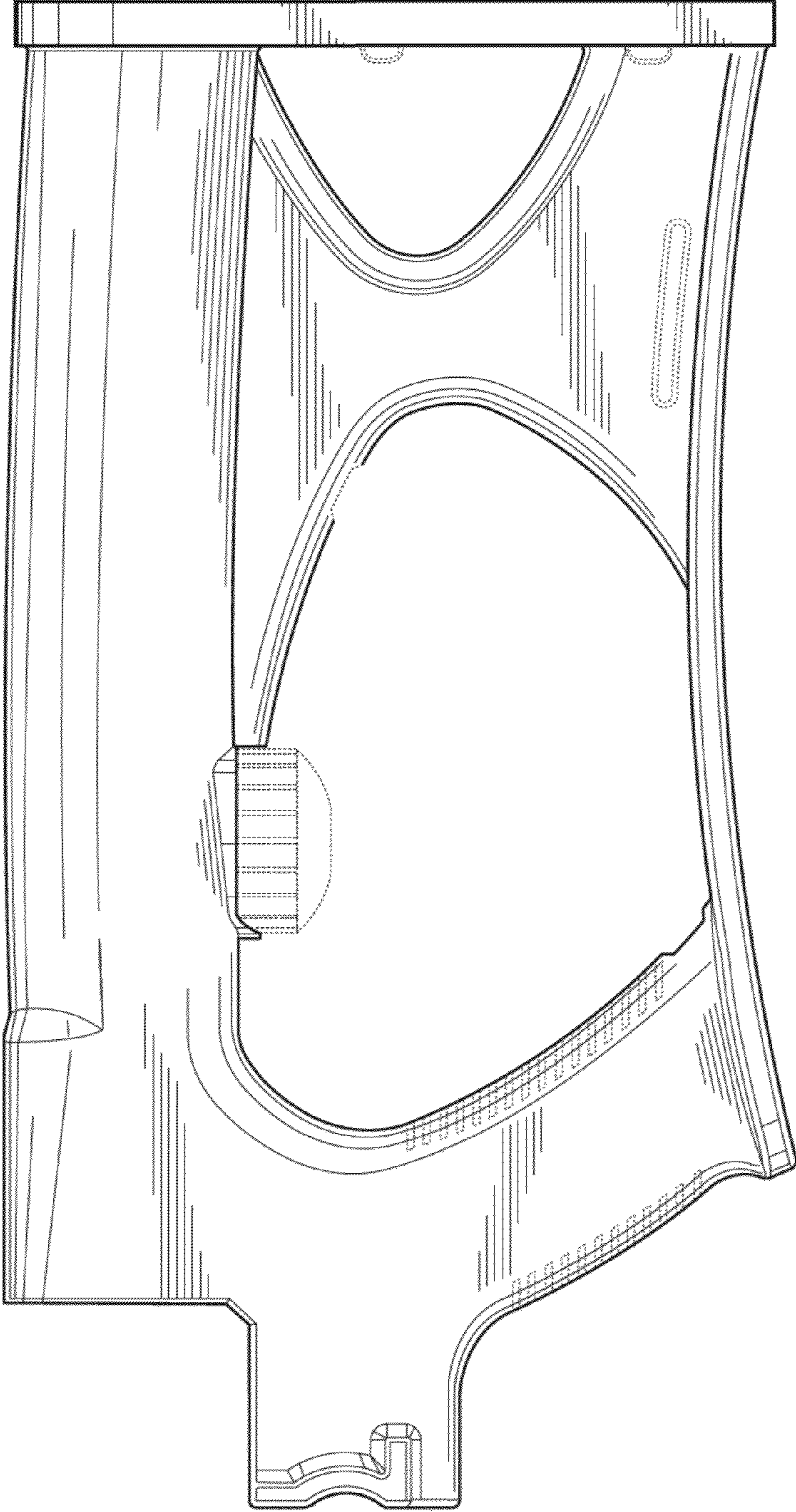


FIG. 4

FIG. 5

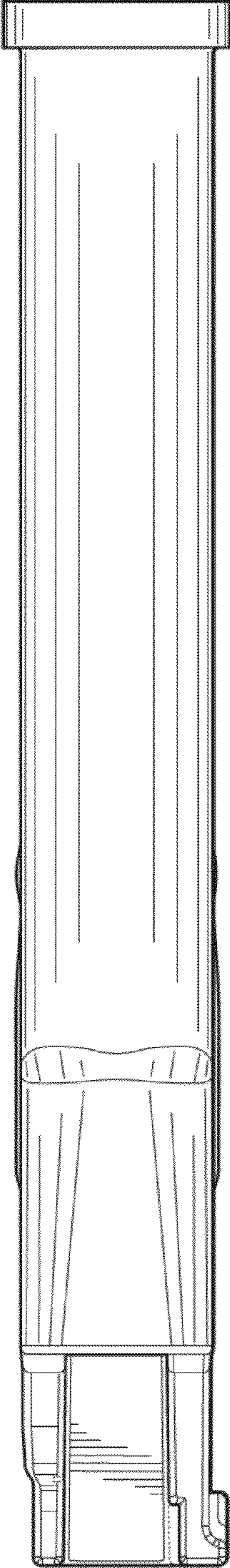
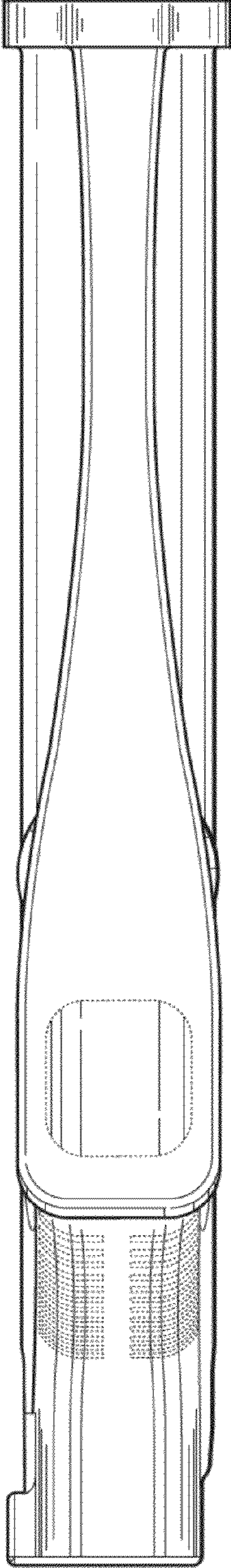


FIG. 6



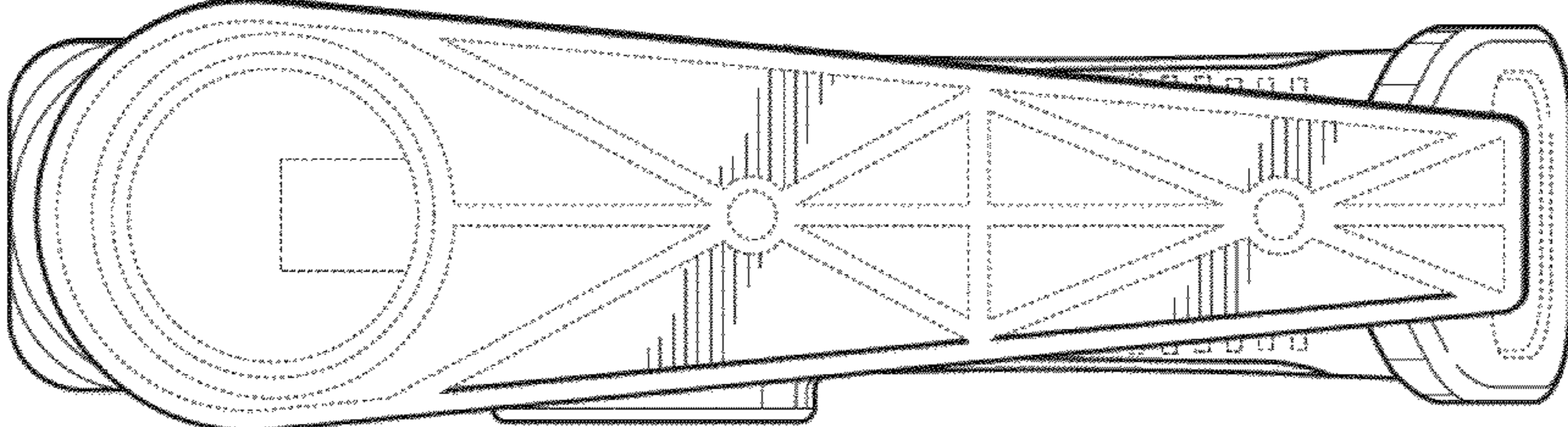


FIG. 8

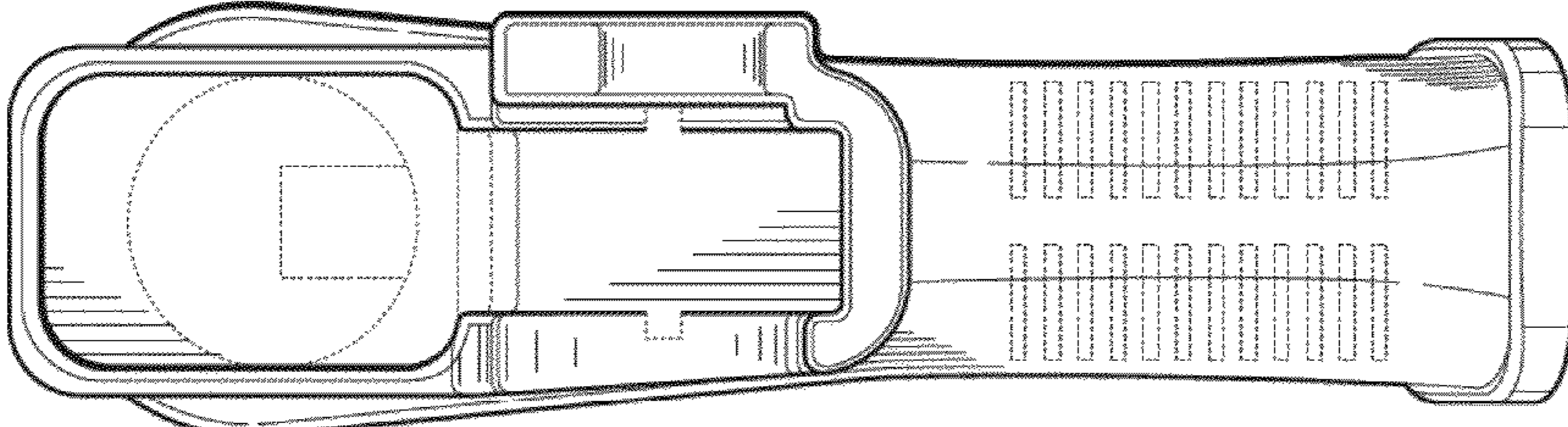


FIG. 7