



US00D710474S

(12) **United States Design Patent**
Komatsu et al.

(10) **Patent No.:** **US D710,474 S**

(45) **Date of Patent:** **** Aug. 5, 2014**

(54) **TWO PIECE RIFLE RECEIVER AND TAIL CONNECTION**

4,688,345 A * 8/1987 Kilgour 42/127
4,860,480 A * 8/1989 Ruger 42/124
5,410,834 A * 5/1995 Benton et al. 42/75.02

(71) Applicant: **Browning Arms Company**, Morgan, UT (US)

* cited by examiner

(72) Inventors: **Takahiro Komatsu**, Kochi Prefecture (JP); **Shunji Okazaki**, Kochi Prefecture (JP); **Peter Sodoma**, Layton, UT (US)

Primary Examiner — Michael A Pratt

(74) *Attorney, Agent, or Firm* — Squire Patton Boggs (US) LLP

(73) Assignee: **Browning Arms Company**, Morgan, UT (US)

(57) **CLAIM**

The ornamental design for a two piece rifle receiver and tail connection, as shown and described.

(**) Term: **14 Years**

(21) Appl. No.: **29/443,063**

DESCRIPTION

(22) Filed: **Jan. 11, 2013**

(51) **LOC (10) Cl.** **22-01**

(52) **U.S. Cl.**
USPC **D22/108**

(58) **Field of Classification Search**
USPC D22/103, 108; 42/71.01; 89/40.06,
89/41.19, 37.04, 33.04, 191.01, 200–204;
D21/572–575; 124/67, 66, 72, 74
See application file for complete search history.

FIG. 1 is a left side perspective view of the two piece rifle receiver and tail connection.

FIG. 2 is a right side perspective view of the two piece rifle receiver and tail connection.

FIG. 3 is a front end view of the two piece rifle receiver and tail connection.

FIG. 4 is a back end view of the two piece rifle receiver and tail connection.

FIG. 5 is a left side view of the two piece rifle receiver and tail connection.

FIG. 6 is a right side view of the two piece rifle receiver and tail connection.

FIG. 7 is a top view of the two piece rifle receiver and tail connection; and,

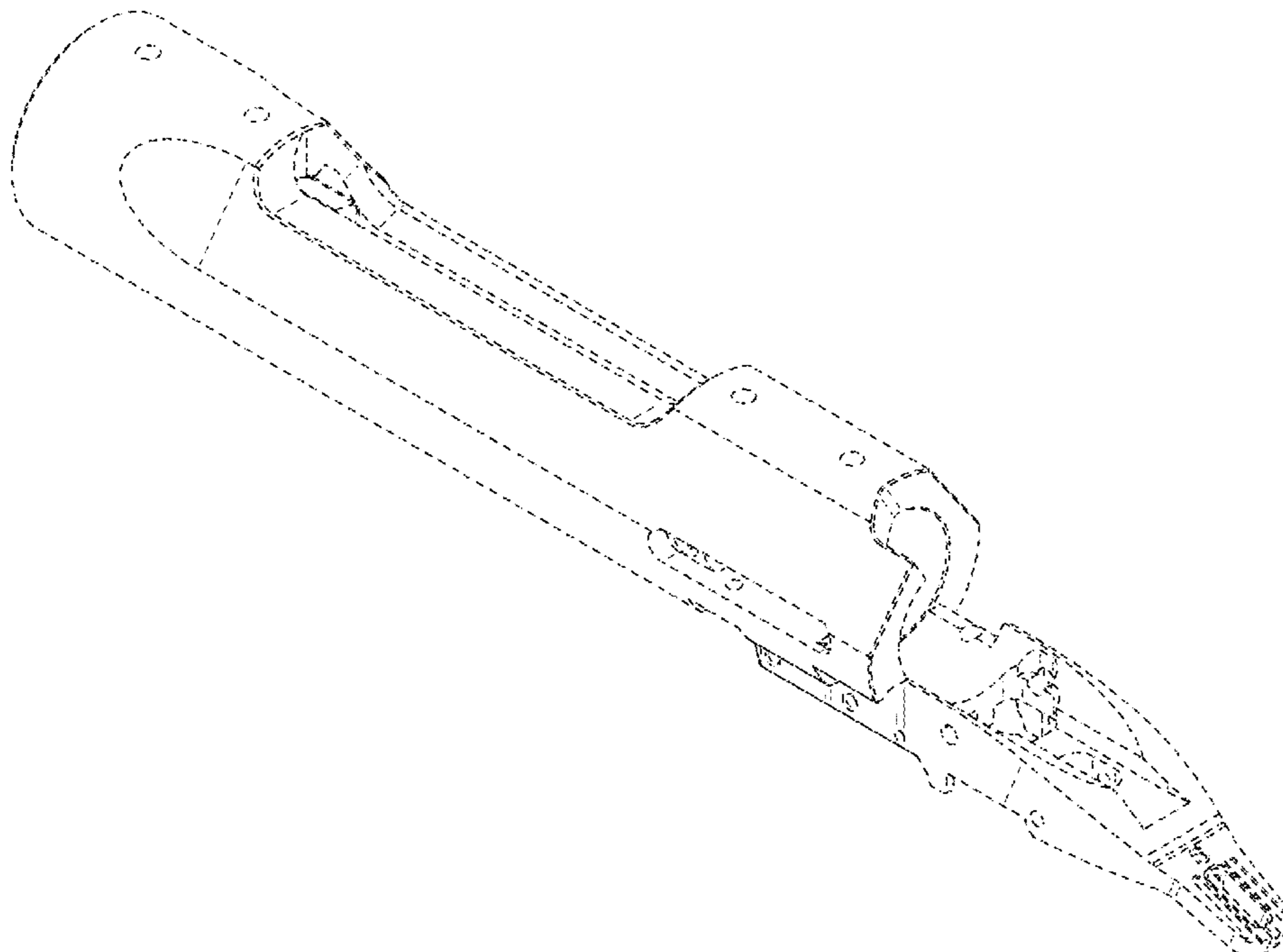
FIG. 8 is a bottom view of the two piece rifle receiver and tail connection.

(56) **References Cited**

U.S. PATENT DOCUMENTS

2,144,241 A * 1/1939 Eiane 89/145
2,396,404 A * 3/1946 Williams et al. 42/125
2,629,175 A * 2/1953 Merritt 42/128
3,387,400 A * 6/1968 Badali et al. 42/70.01
4,015,357 A * 4/1977 Andersson 42/16

1 Claim, 5 Drawing Sheets



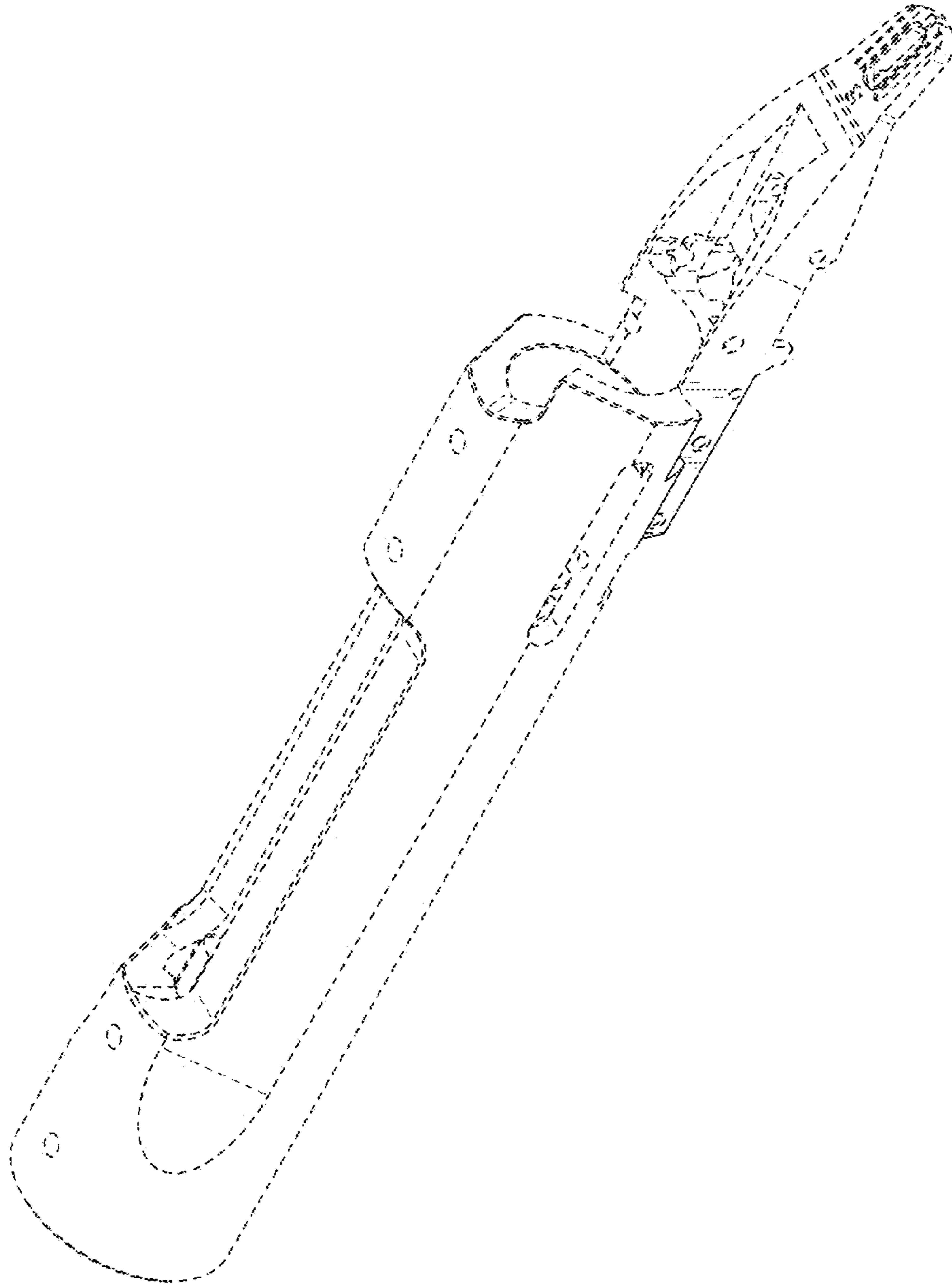


FIG. 1

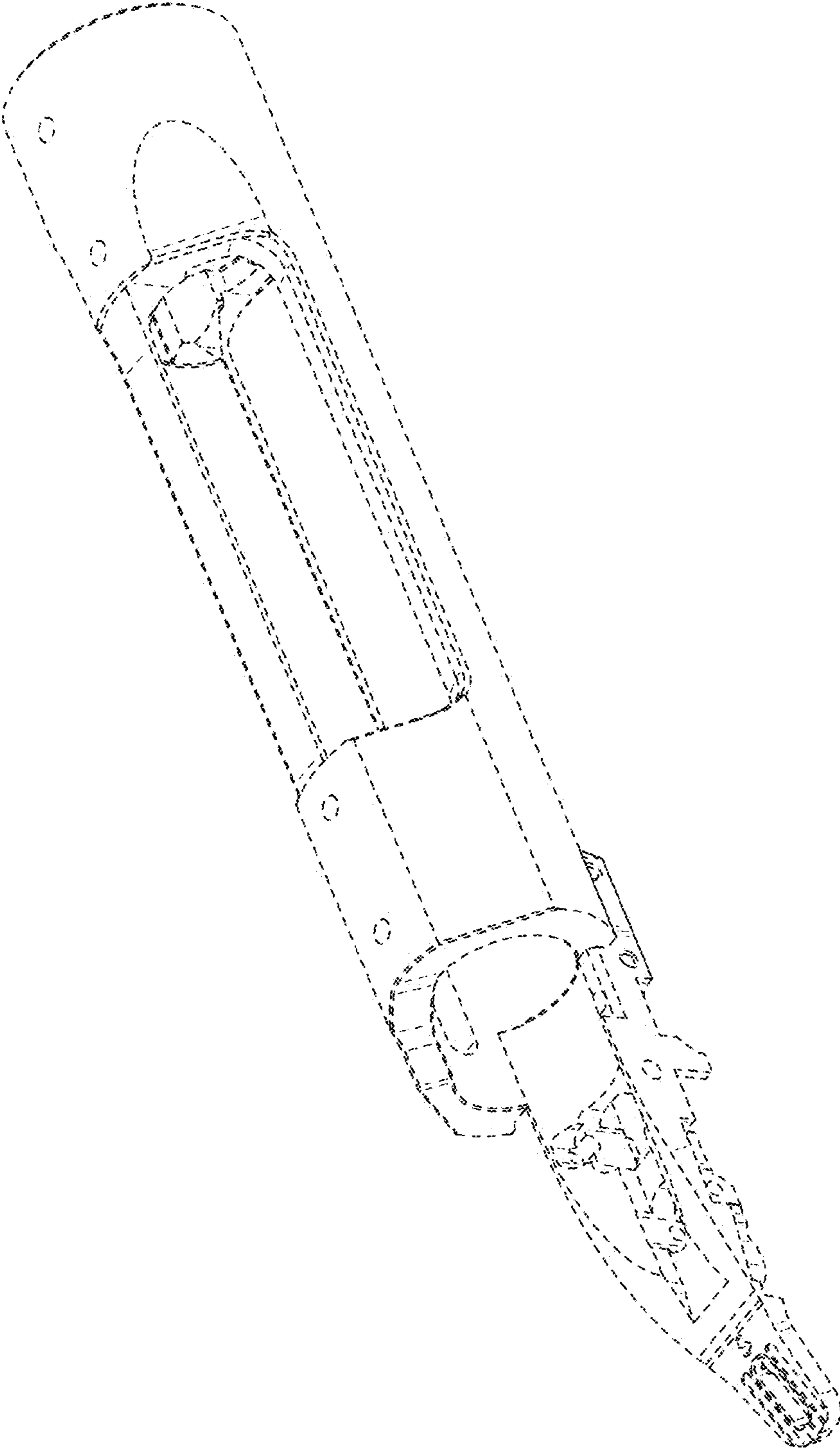


FIG. 2

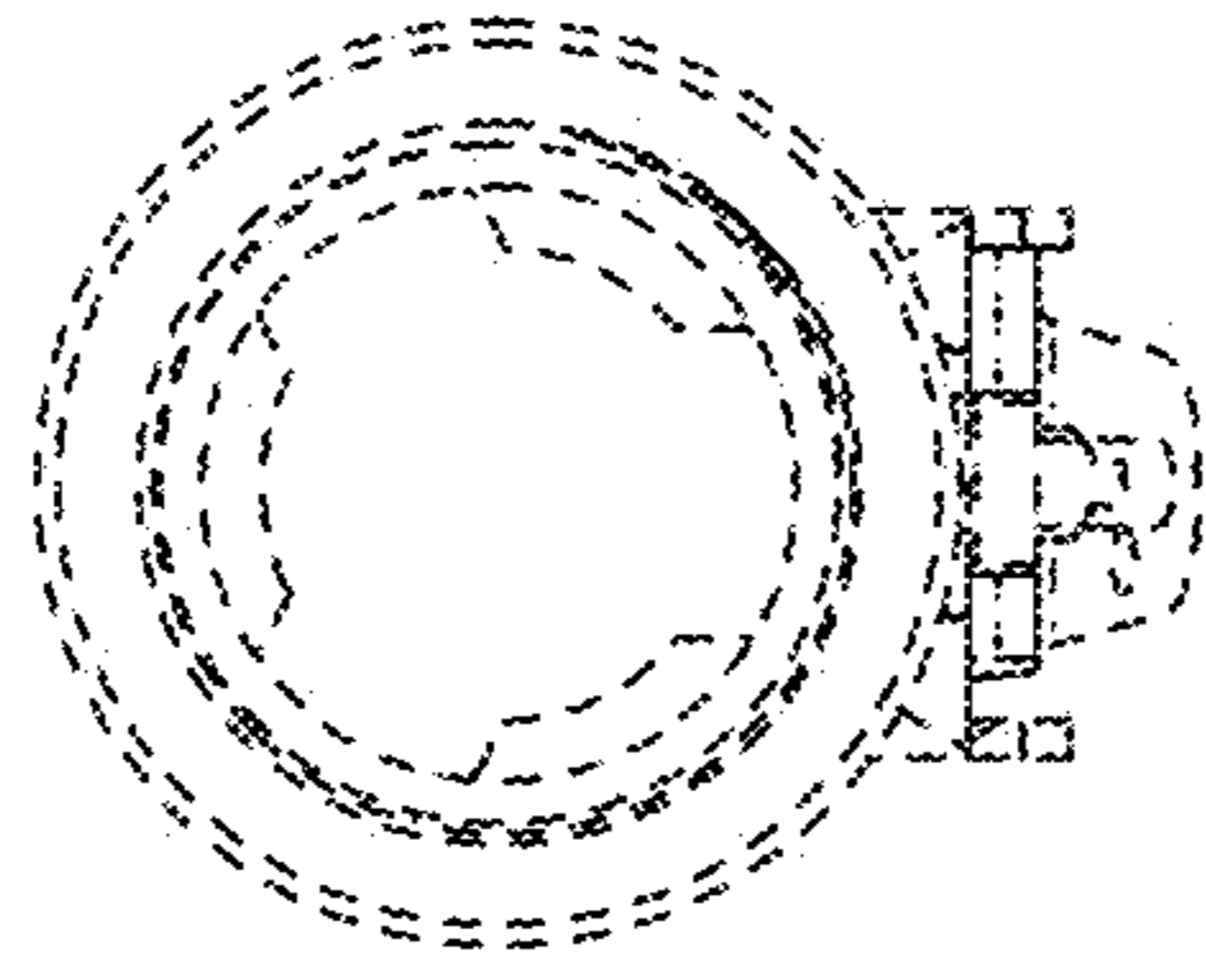


FIG. 4

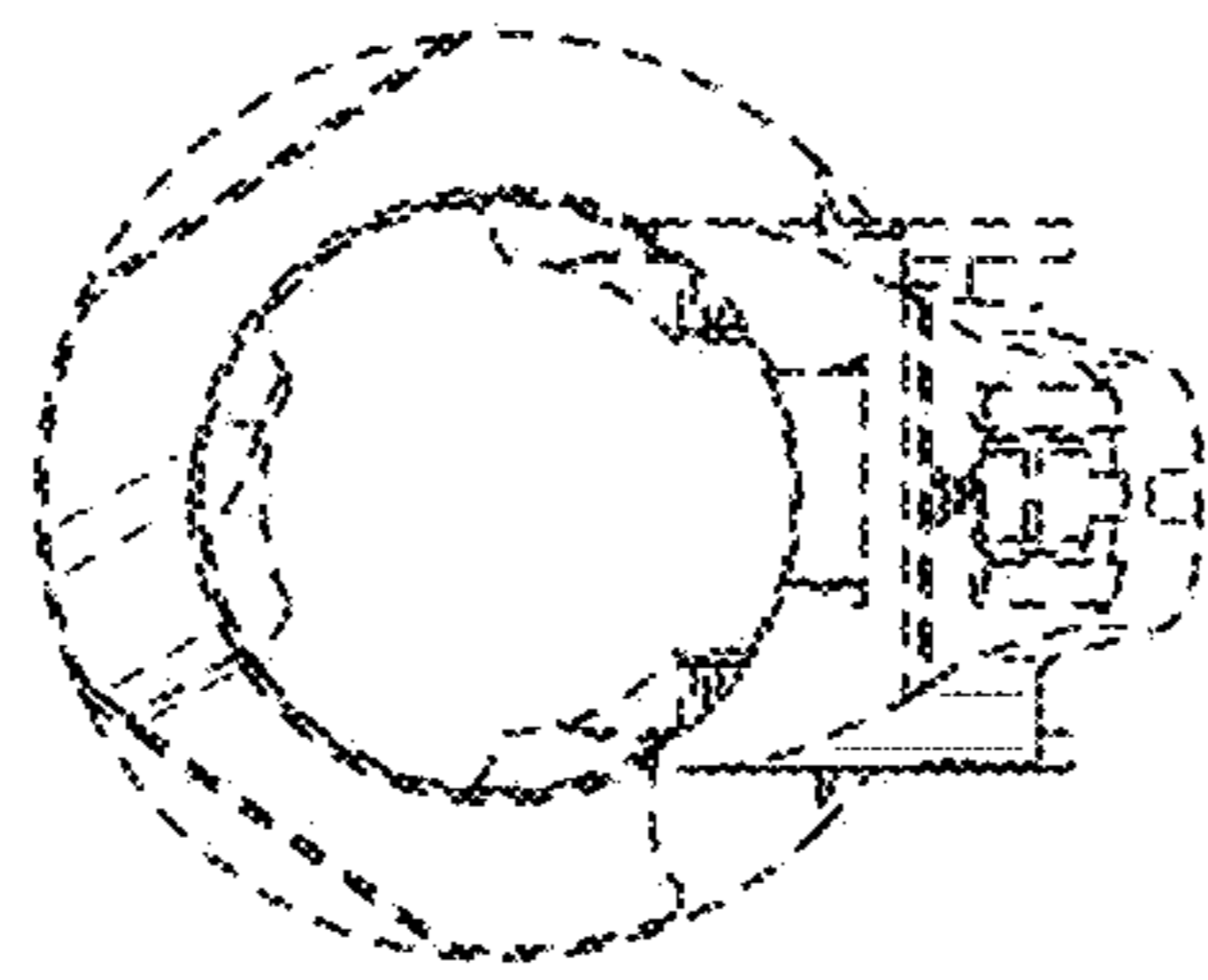


FIG. 3

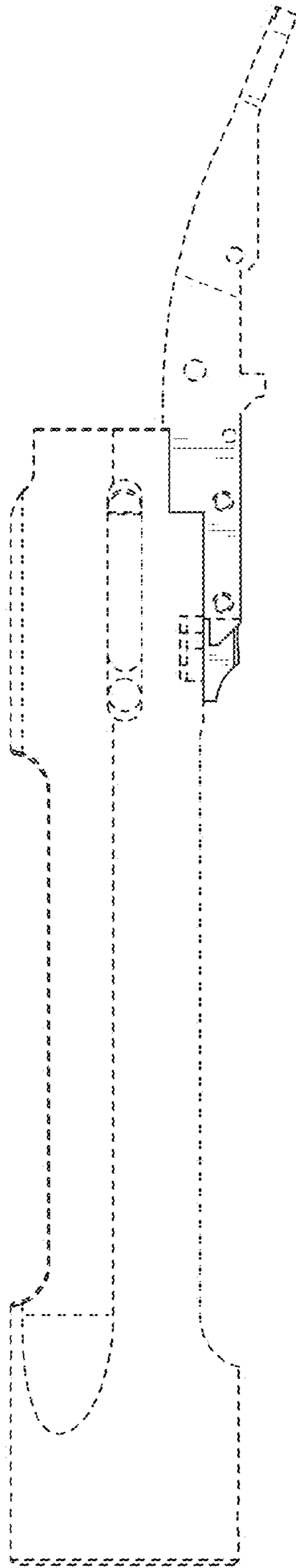


FIG. 5

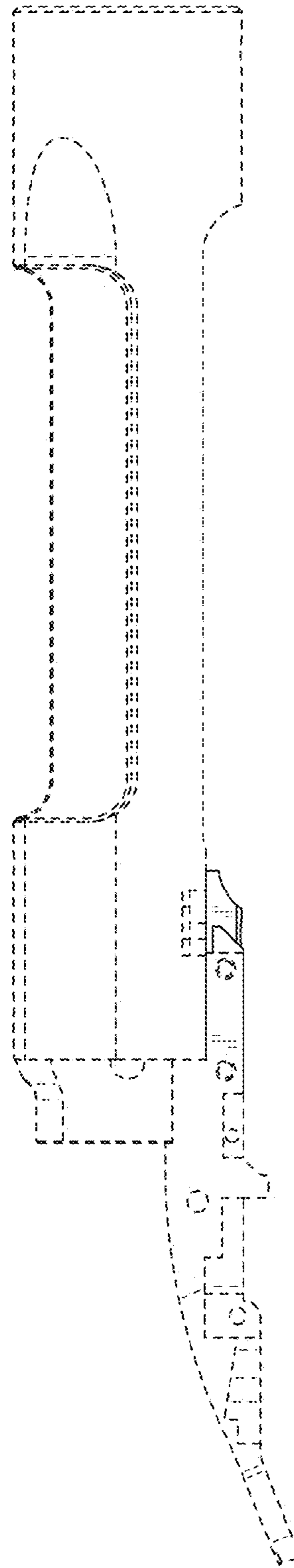


FIG. 6

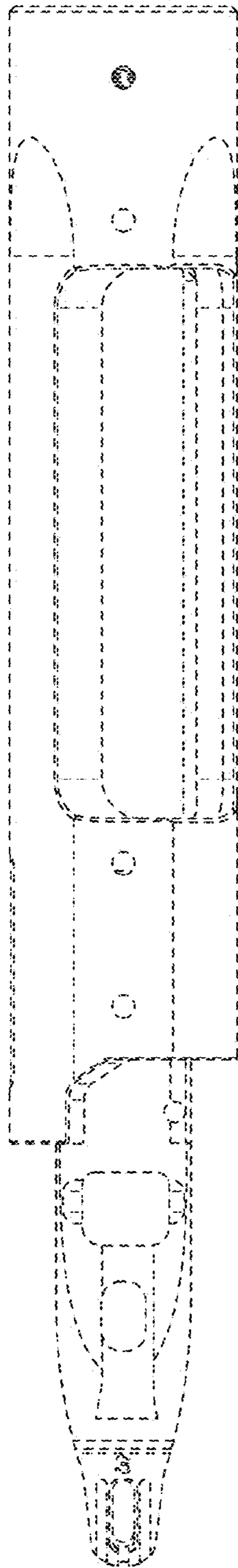


FIG. 7

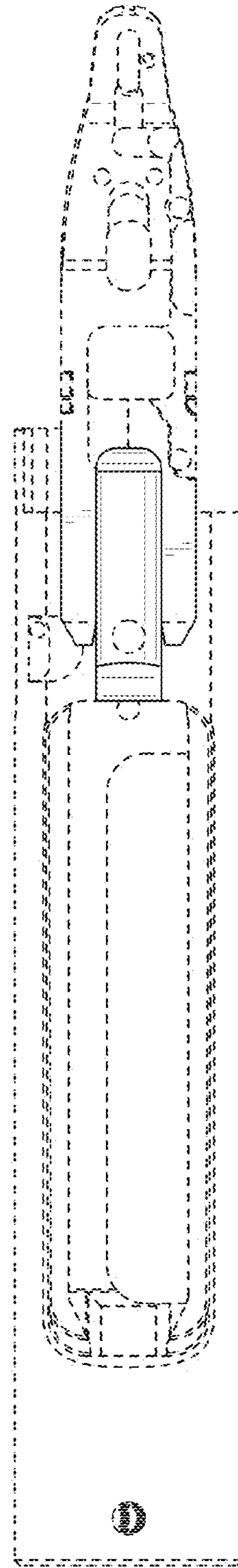


FIG. 8