



US00D710473S

(12) **United States Design Patent**  
**Kragerud**

(10) **Patent No.:** **US D710,473 S**

(45) **Date of Patent:** **\*\* Aug. 5, 2014**

(54) **CONCENTRIC GOLF BALL MARKER**

(71) Applicant: **Bret Kragerud**, Kent, WA (US)

(72) Inventor: **Bret Kragerud**, Kent, WA (US)

(\*\*) Term: **14 Years**

(21) Appl. No.: **29/459,222**

(22) Filed: **Jun. 27, 2013**

(51) **LOC (10) Cl.** ..... **21-02**

(52) **U.S. Cl.**  
USPC ..... **D21/794**

(58) **Field of Classification Search**  
CPC ..... **A63B 57/0075**  
USPC ..... **D21/789, 793, 794; 473/285, 406**  
See application file for complete search history.

(56) **References Cited**

**U.S. PATENT DOCUMENTS**

5,356,133	A	10/1994	Bellagamba	
D365,133	S *	12/1995	Belmont	D21/794
D428,954	S	8/2000	Tate	
D480,444	S *	10/2003	Marchessault et al.	D21/794
D496,705	S *	9/2004	Louttit	D21/793
D504,932	S *	5/2005	Louttit	D21/793

6,966,851	B1 *	11/2005	England et al.	473/406
D520,588	S	5/2006	Morgan	
D540,902	S *	4/2007	Regalado	D21/794
D588,226	S	3/2009	Brown	
D588,670	S *	3/2009	Walz	D21/794
D606,149	S *	12/2009	Regalado	D21/793
D624,142	S *	9/2010	Weber	D21/794
D630,284	S	1/2011	Desrosiers	
D662,165	S *	6/2012	Kragerud	D21/794
8,388,469	B1 *	3/2013	Hawthorn et al.	473/406
D689,973	S *	9/2013	Smith	D21/794

\* cited by examiner

*Primary Examiner* — Mitchell Siegel

(74) *Attorney, Agent, or Firm* — George A. Leone; Citadel Patent Law

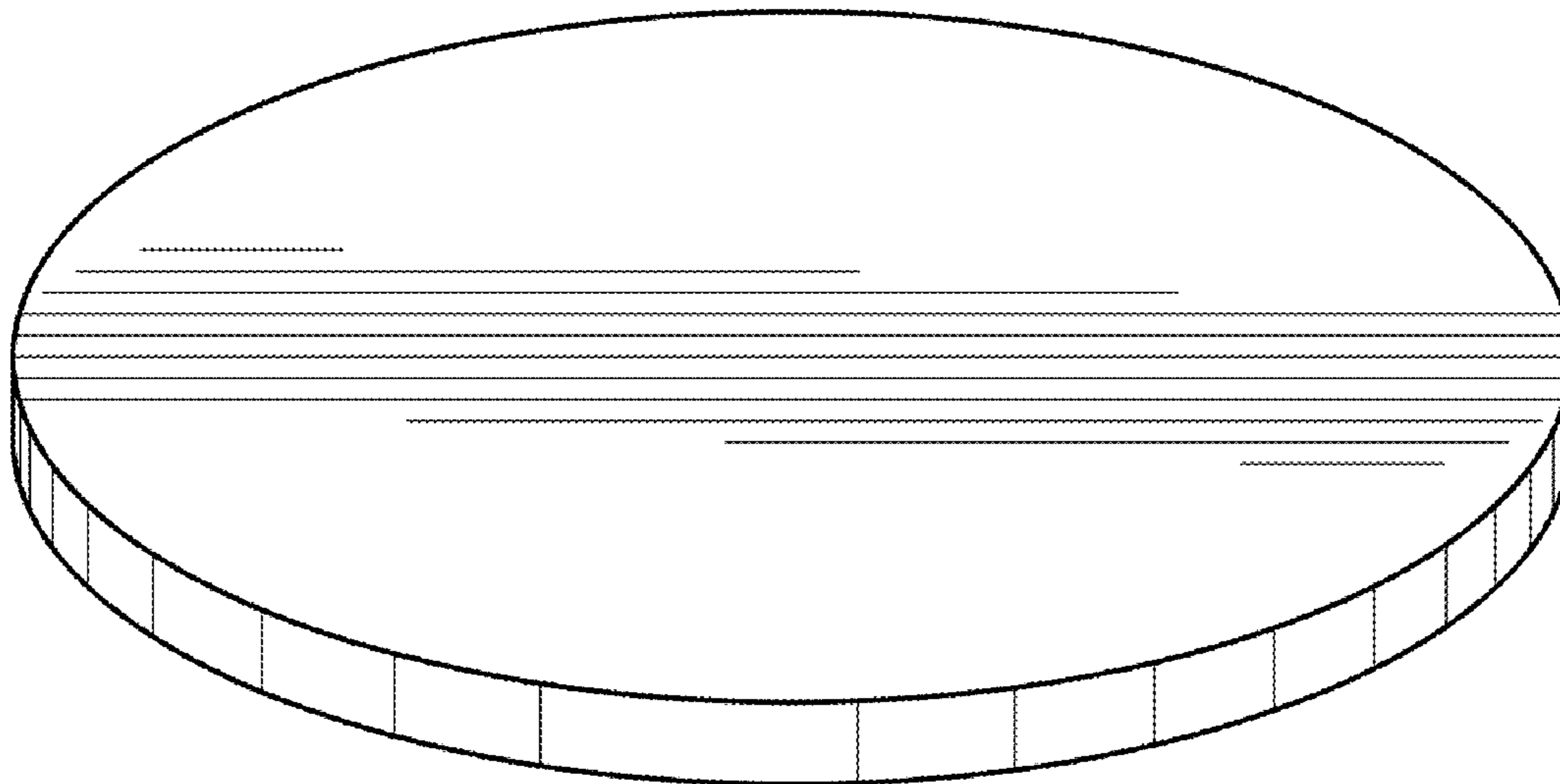
(57) **CLAIM**

The ornamental design for a concentric golf ball marker, as shown and described.

**DESCRIPTION**

FIG. 1 is a top perspective view of a concentric golf ball marker showing my new design; FIG. 2 is a bottom perspective view thereof; and, FIG. 3 is an exploded top perspective view thereof. Any broken line illustration of environmental structure in the drawing is not part of the design sought to be patented.

**1 Claim, 1 Drawing Sheet**



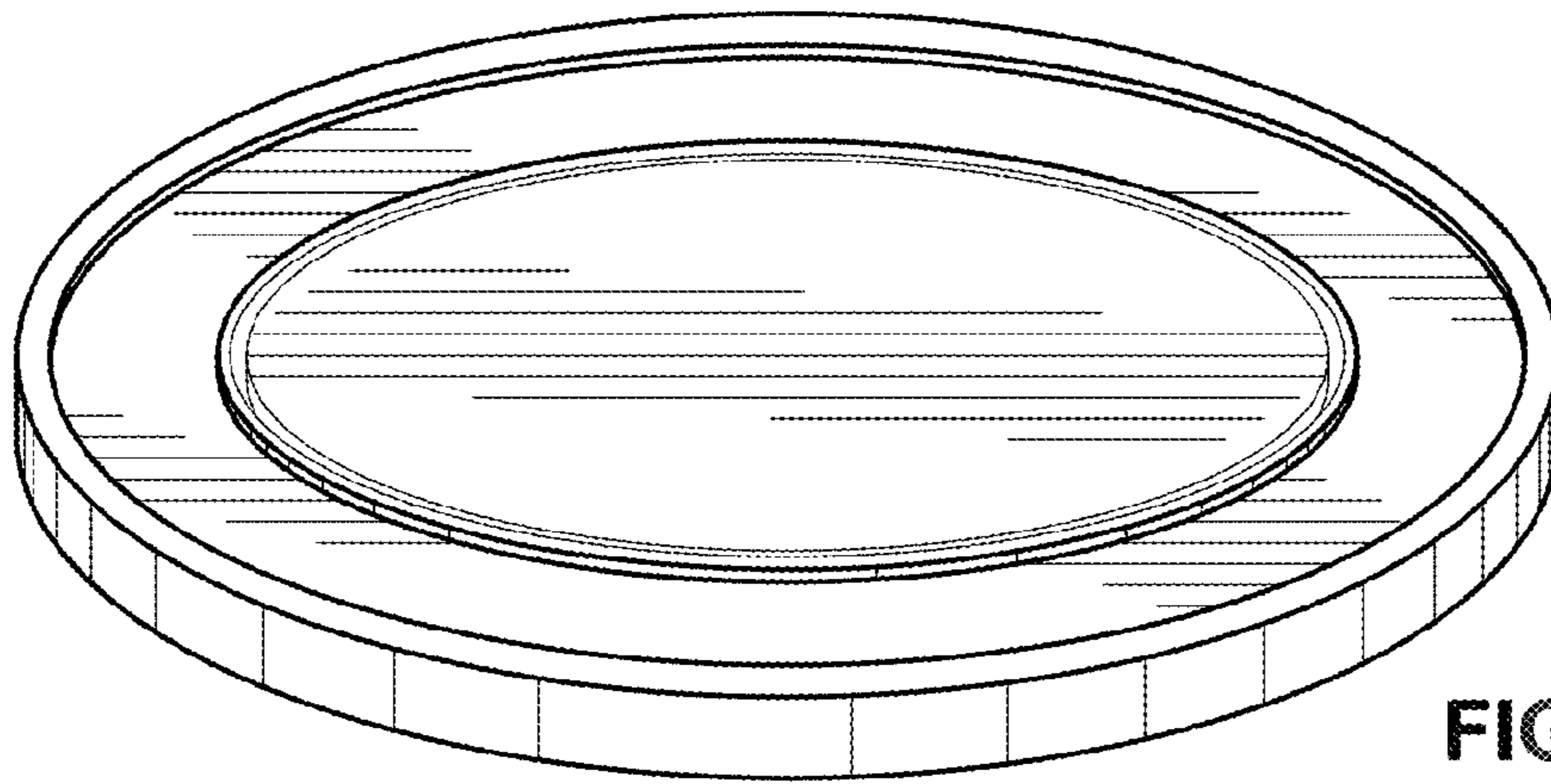


FIG. 1

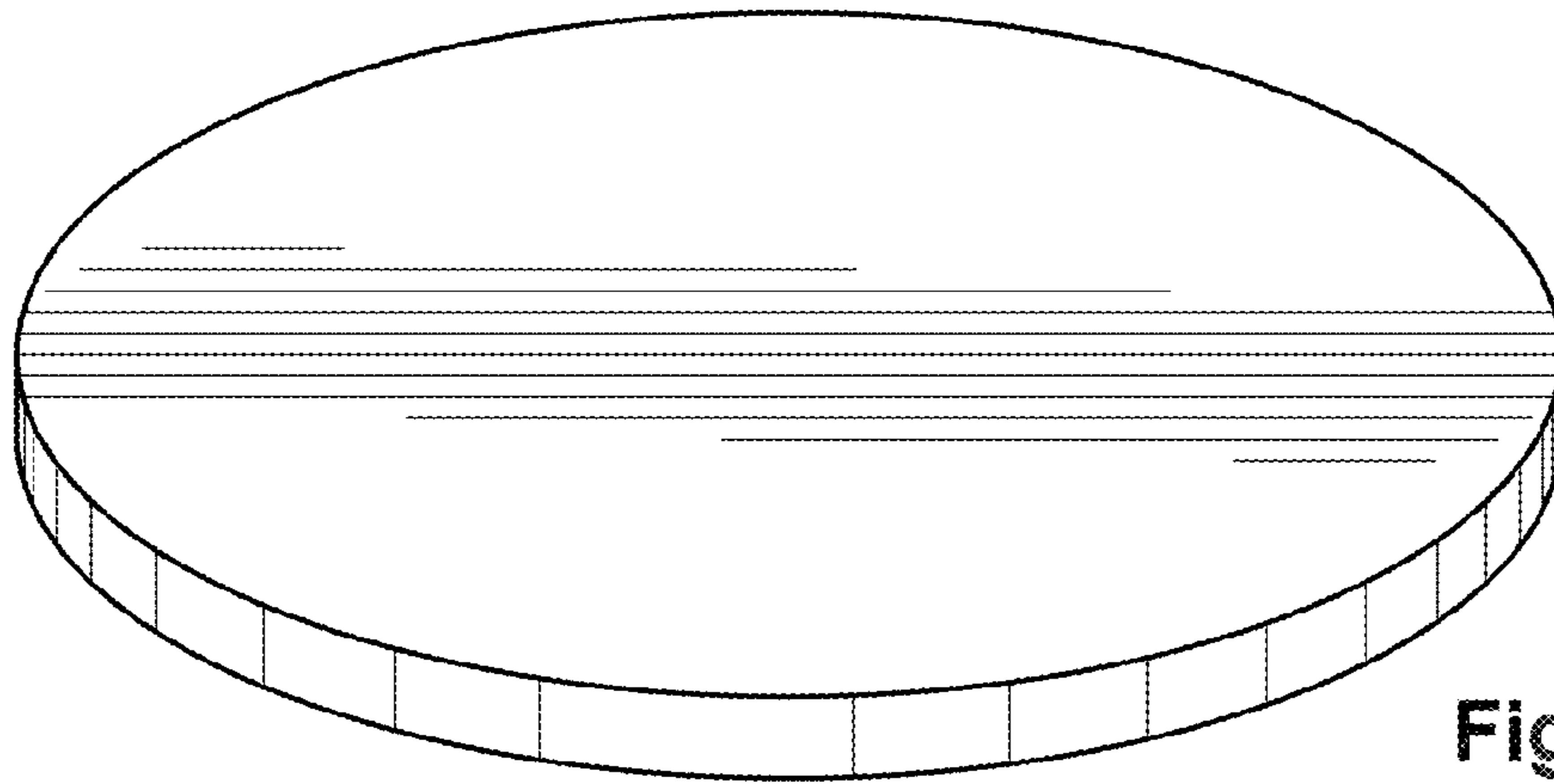


Fig. 2

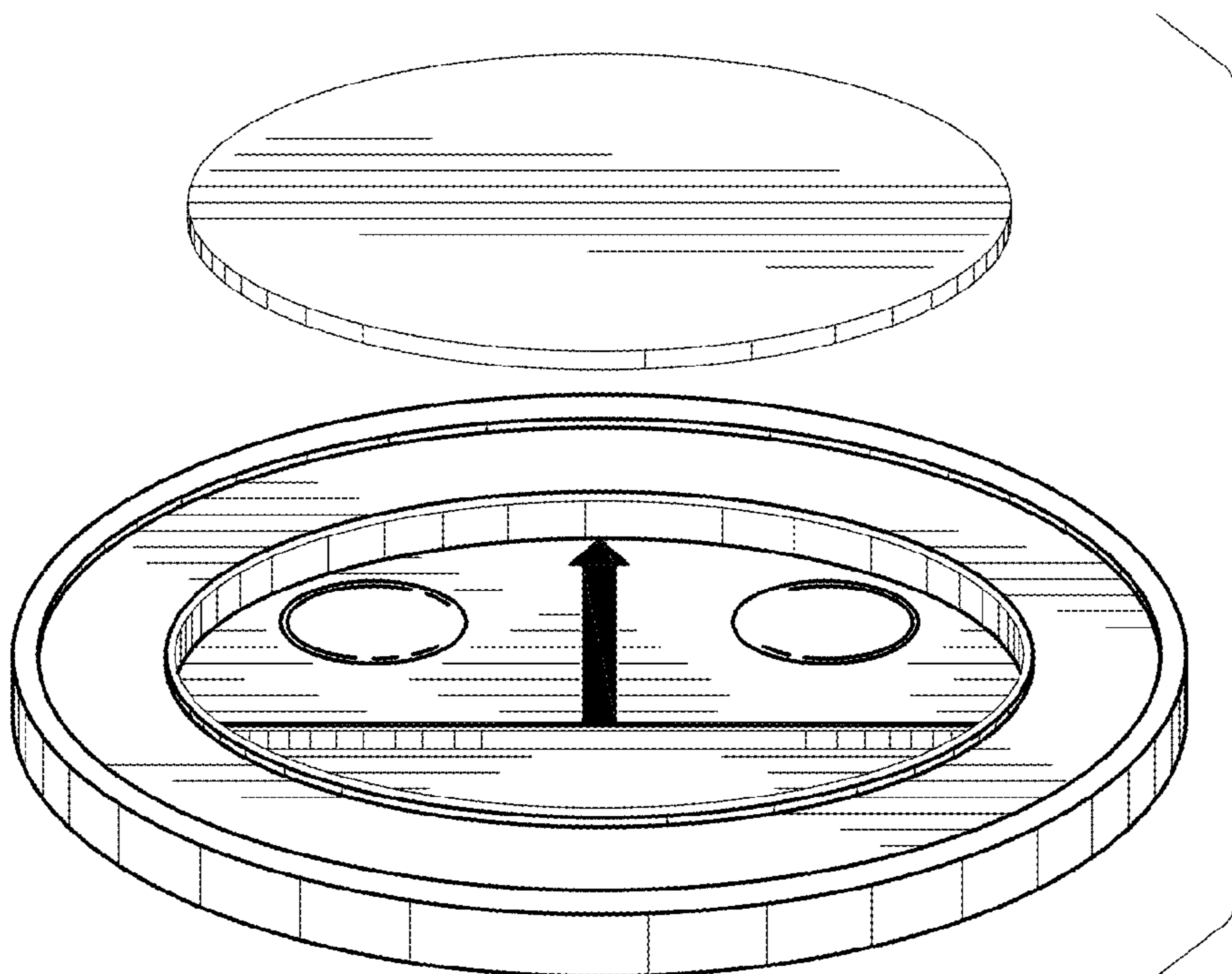


FIG. 3