



US00D710468S

(12) **United States Design Patent**
Nicolette et al.

(10) **Patent No.:** **US D710,468 S**

(45) **Date of Patent:** **** Aug. 5, 2014**

(54) **BADGE FOR A GOLF CLUB HEAD**

(71) Applicant: **Karsten Manufacturing Corporation,**
Phoenix, AZ (US)

(72) Inventors: **Michael R. Nicolette,** Scottsdale, AZ
(US); **Xiaojian Chen,** Phoenix, AZ
(US); **Bradley D. Schweigert,** Anthem,
AZ (US); **Marty R. Jertson,** Phoenix,
AZ (US); **Daniel K. Lee,** Chandler, AZ
(US)

(73) Assignee: **Karsten Manufacturing Corporation,**
Phoenix, AZ (US)

(**) Term: **14 Years**

(21) Appl. No.: **29/458,453**

(22) Filed: **Jun. 19, 2013**

(51) **LOC (10) Cl.** **21-02**

(52) **U.S. Cl.**
USPC **D21/759**

(58) **Field of Classification Search**
USPC D21/747-751, 759; 473/324-331, 350
See application file for complete search history.

(56) **References Cited**

U.S. PATENT DOCUMENTS

D179,816 S *	3/1957	Penna	D21/751
D179,817 S *	3/1957	Penna	D21/751
D244,558 S	5/1977	Elkins, Jr.		
D244,792 S *	6/1977	Gelinas	D21/751
D250,136 S *	10/1978	Gelinas	D21/751
D361,813 S	8/1995	Guibaud		
5,492,327 A	2/1996	Biafore, Jr.		
5,564,705 A	10/1996	Kobayashi		
5,593,356 A	1/1997	Takeda		

D381,385 S *	7/1997	Shinohara et al.	D21/749
5,658,206 A	8/1997	Antonious		
D398,355 S	9/1998	Chou		
D409,702 S	5/1999	Gallagher		
D420,080 S	2/2000	Gates		
D424,146 S	5/2000	Maltby		
D428,632 S	7/2000	Besnard		
D435,073 S	12/2000	Stone		
D435,277 S	12/2000	Erickson		
6,210,290 B1 *	4/2001	Erickson et al.	473/345
D442,245 S	5/2001	Roach		
6,251,029 B1	6/2001	Roberts		
D445,862 S	7/2001	Ford		
D453,949 S	2/2002	Helmstetter		
D480,440 S	10/2003	Rollinson		
D481,775 S	11/2003	Best		
D494,240 S *	8/2004	Schweigert	D21/759

(Continued)

Primary Examiner — Mitchell Siegel

(57) **CLAIM**

The ornamental design for a badge for a golf club head, as shown and described.

DESCRIPTION

FIG. 1 is a top perspective view of a badge for a golf club head;

FIG. 2 is a bottom perspective view of a badge for a golf club head;

FIG. 3 is a front view of the badge of FIG. 1;

FIG. 4 is a rear view of the badge of FIG. 1;

FIG. 5 is a top view of the badge of FIG. 1;

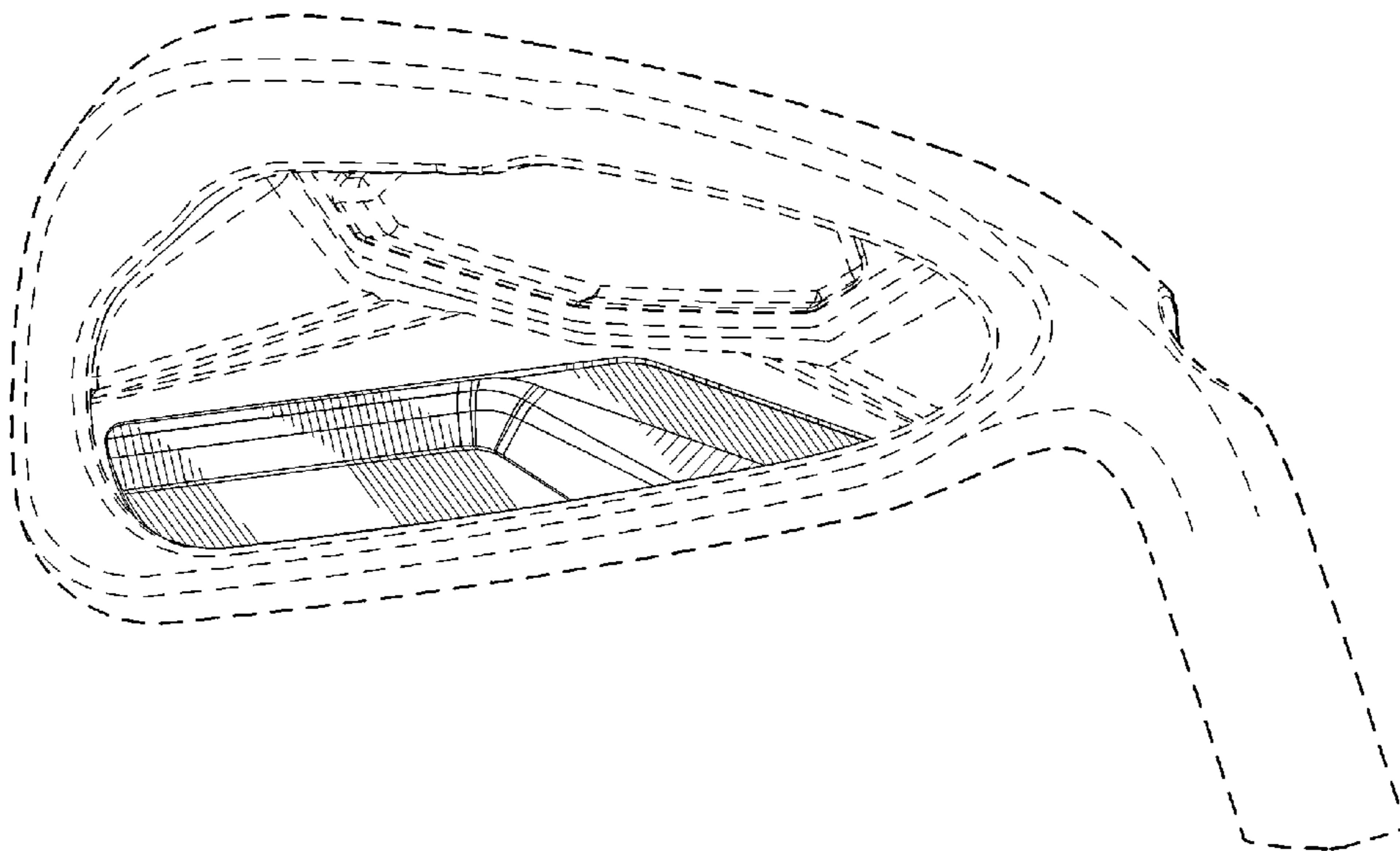
FIG. 6 is a bottom view of the badge of FIG. 1;

FIG. 7 is a right view of the badge of FIG. 1; and,

FIG. 8 is a left view of the badge of FIG. 1.

The broken lines shown in one or more of the figures are for illustrative purposes only and form no part of the claimed design.

1 Claim, 3 Drawing Sheets



(56)

References Cited

U.S. PATENT DOCUMENTS

D494,648 S	8/2004	Schweigert	D541,360 S	4/2007	Schweigert
D494,649 S	8/2004	Imamoto	D549,795 S	8/2007	Rollinson
D495,390 S	8/2004	Pinder	D550,316 S	9/2007	Nagai
D500,350 S	12/2004	Schweigert	D554,215 S	10/2007	Ruggiero
D500,351 S	12/2004	Schweigert	D561,855 S	2/2008	Schweigert
D502,237 S	2/2005	Schweigert	D562,925 S	2/2008	Schweigert
D502,975 S	3/2005	Schweigert	D570,942 S	6/2008	Chen
D504,925 S	5/2005	Schweigert	D570,943 S	6/2008	Chen
D505,171 S	5/2005	Schweigert	D571,425 S	6/2008	Chen
D507,321 S	7/2005	Dogan	D571,426 S	6/2008	Chen
D507,614 S	7/2005	Schweigert	D571,427 S	6/2008	Schweigert
D508,099 S	8/2005	Schweigert	D572,329 S	7/2008	Nicolette
D509,868 S	9/2005	Imamoto	D573,219 S	7/2008	Schweigert
D514,183 S	1/2006	Schweigert	D574,915 S	8/2008	Jones
D516,649 S	3/2006	Imamoto	D577,783 S	9/2008	Schweigert
7,066,834 B2	6/2006	Yamamoto	D578,590 S	10/2008	Schweigert
D525,330 S	7/2006	Imamoto	D581,004 S	11/2008	Schweigert
D526,375 S	8/2006	Kawami	D596,258 S	7/2009	Jertson
D528,617 S	9/2006	Imamoto	D596,688 S	7/2009	Schweigert
D530,759 S	10/2006	Nicolette	D600,298 S	9/2009	Serrano
D530,760 S	10/2006	Schweigert	D621,893 S	8/2010	Nicolette
D532,849 S	11/2006	Nicolette	D621,895 S	8/2010	Schweigert
D534,228 S	12/2006	Nicolette	D627,409 S	11/2010	Schweigert
D534,597 S	1/2007	Nicolette	D649,211 S	11/2011	Jertson
D536,759 S	2/2007	Schweigert	D651,268 S *	12/2011	Nicolette et al. D21/759
D538,366 S	3/2007	Nicolette	D673,633 S *	1/2013	Jertson et al. D21/759
D539,863 S	4/2007	Nunez	D685,041 S	6/2013	Stokke
			D685,042 S *	6/2013	Jertson et al. D21/759
			D685,043 S	6/2013	Stokke
			2007/0281796 A1	12/2007	Gilbert

* cited by examiner

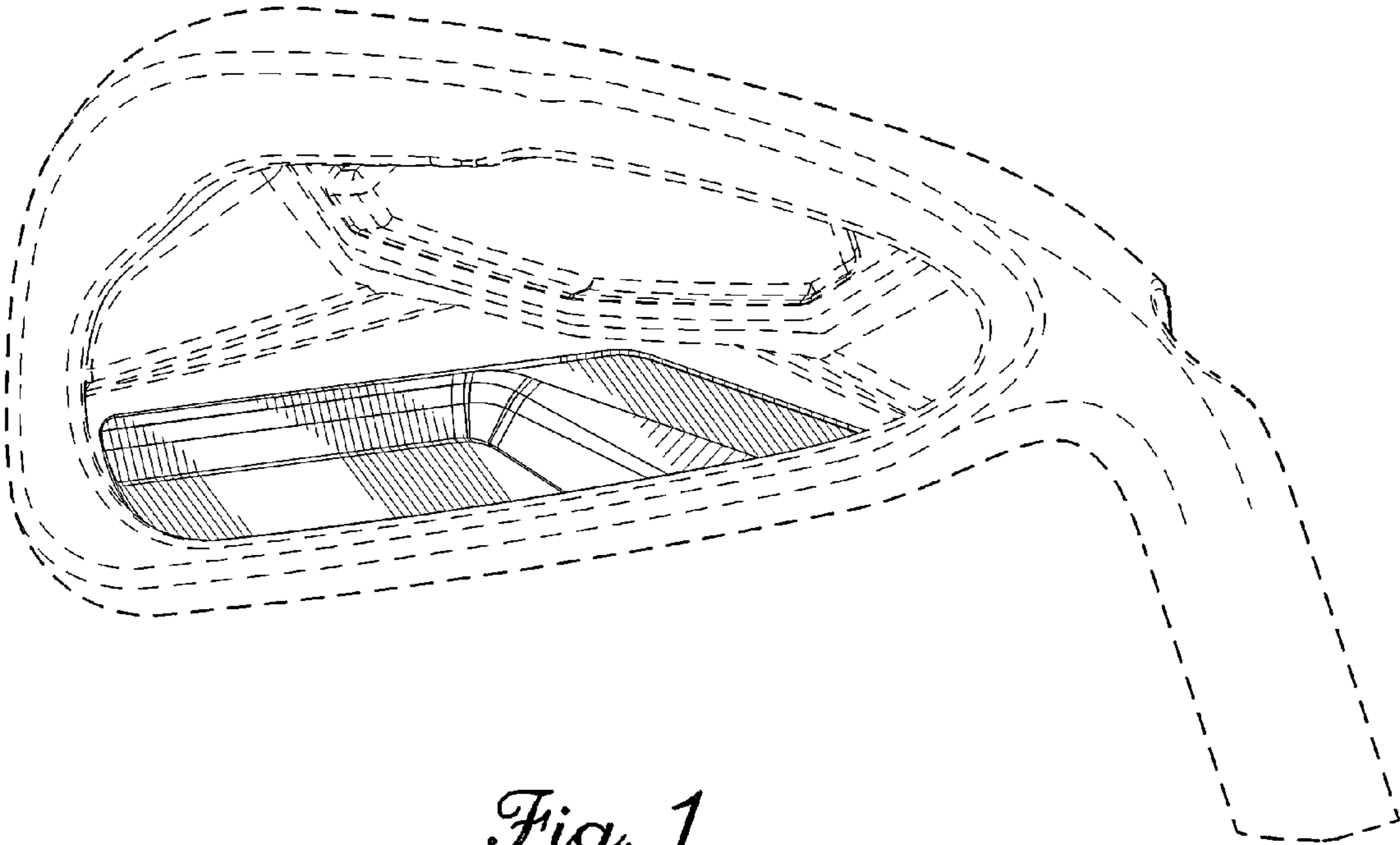


Fig. 1

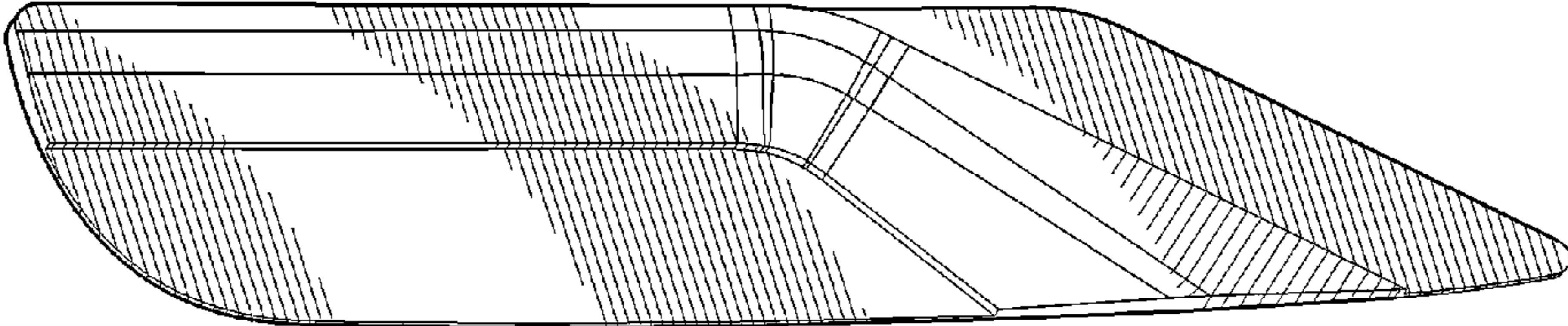


Fig. 2

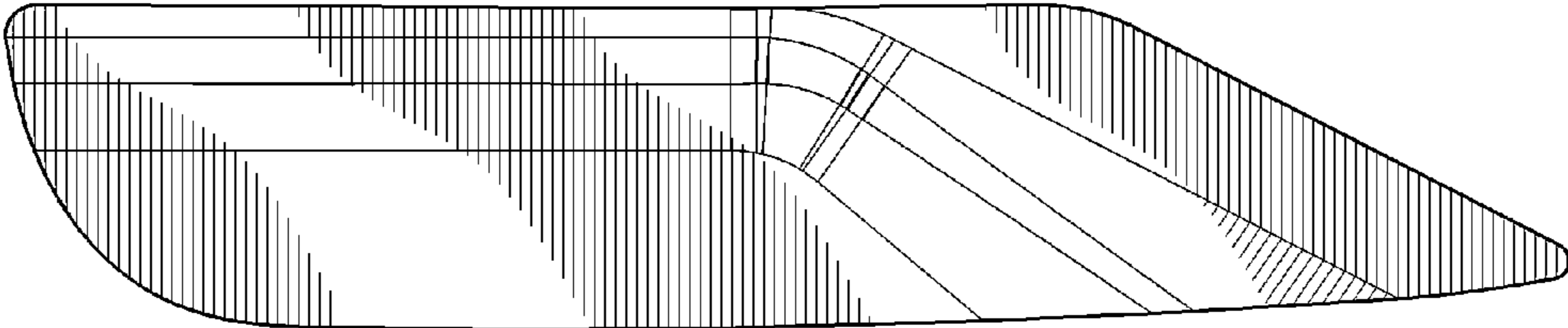


Fig. 3

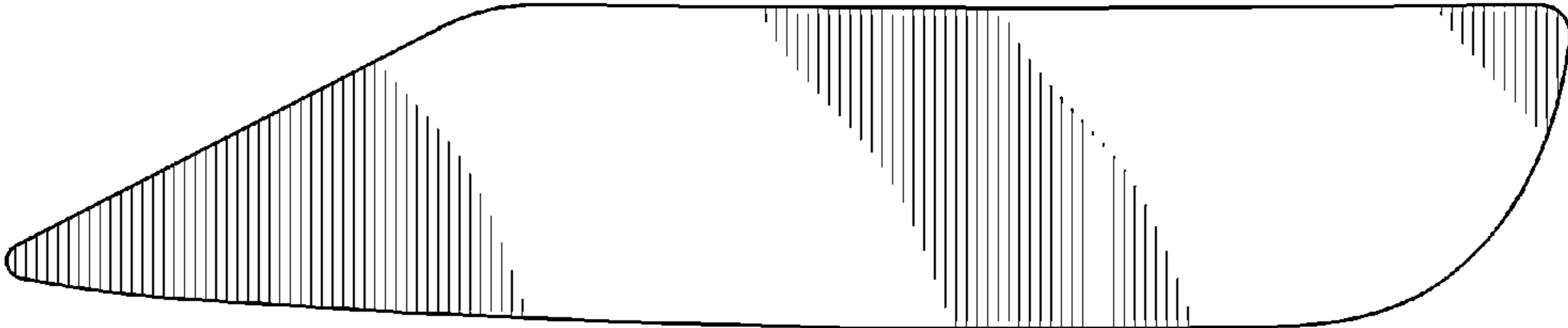


Fig. 4



Fig. 5

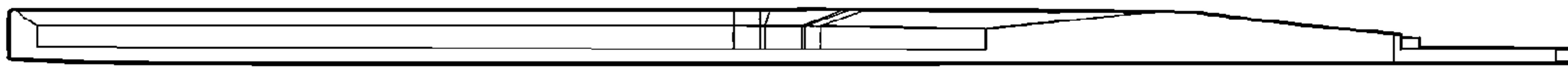


Fig. 6



Fig. 7

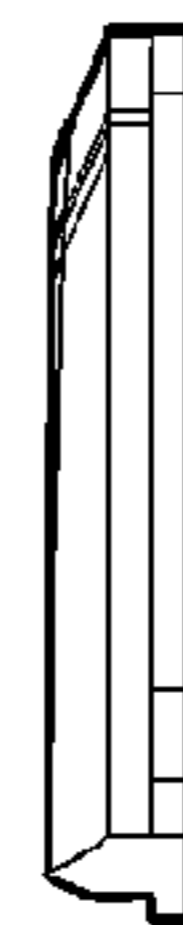


Fig. 8