



US00D710466S

(12) **United States Design Patent**
Bentley et al.

(10) **Patent No.:** **US D710,466 S**

(45) **Date of Patent:** **** Aug. 5, 2014**

(54) **GOLF CLUB GRIP**

(71) Applicant: **Blast Motion, Inc.**, Burlingame, CA
(US)

(72) Inventors: **Michael Bentley**, San Diego, CA (US);
Ryan Kaps, San Diego, CA (US)

(73) Assignee: **Blast Motion Inc.**, Burlingame, CA
(US)

(**) Term: **14 Years**

(21) Appl. No.: **29/457,484**

(22) Filed: **Jun. 10, 2013**

(51) **LOC (10) Cl.** **21-02**

(52) **U.S. Cl.**
USPC **D21/756**

(58) **Field of Classification Search**
CPC A63B 53/14
USPC D21/756-758; 473/300-303, 201-204
See application file for complete search history.

(56) **References Cited**

U.S. PATENT DOCUMENTS

2,218,268 A * 10/1940 Reid 473/204
D295,207 S * 4/1988 Mahaffey D21/756

5,460,372 A * 10/1995 Cook 473/204
D399,282 S * 10/1998 Jarrett D21/756
D522,078 S * 5/2006 De Gruccio D21/756
D523,507 S * 6/2006 Perry et al. D21/756

* cited by examiner

Primary Examiner — Mitchell Siegel

(74) *Attorney, Agent, or Firm* — ARC IP Law, PC; Joseph J. Mayo

(57) **CLAIM**

The ornamental design for a golf club grip, as shown and described.

DESCRIPTION

FIG. 1 is a top rear perspective view of a golf club grip.
FIG. 2 is a rear side perspective view of a golf club grip.
FIG. 3 is a front side rear perspective view of a golf club grip.
FIG. 4 is a right side view of the golf club grip.
FIG. 5 is a left side view of the golf club grip.
FIG. 6 is a rear view of the golf club grip.
FIG. 7 is a front view of the golf club grip.
FIG. 8 is a top view of the golf club grip; and,
FIG. 9 is a bottom view of the golf club grip.
The broken line showing is included for the purpose of illustration and forms no part of the claimed design.

1 Claim, 5 Drawing Sheets

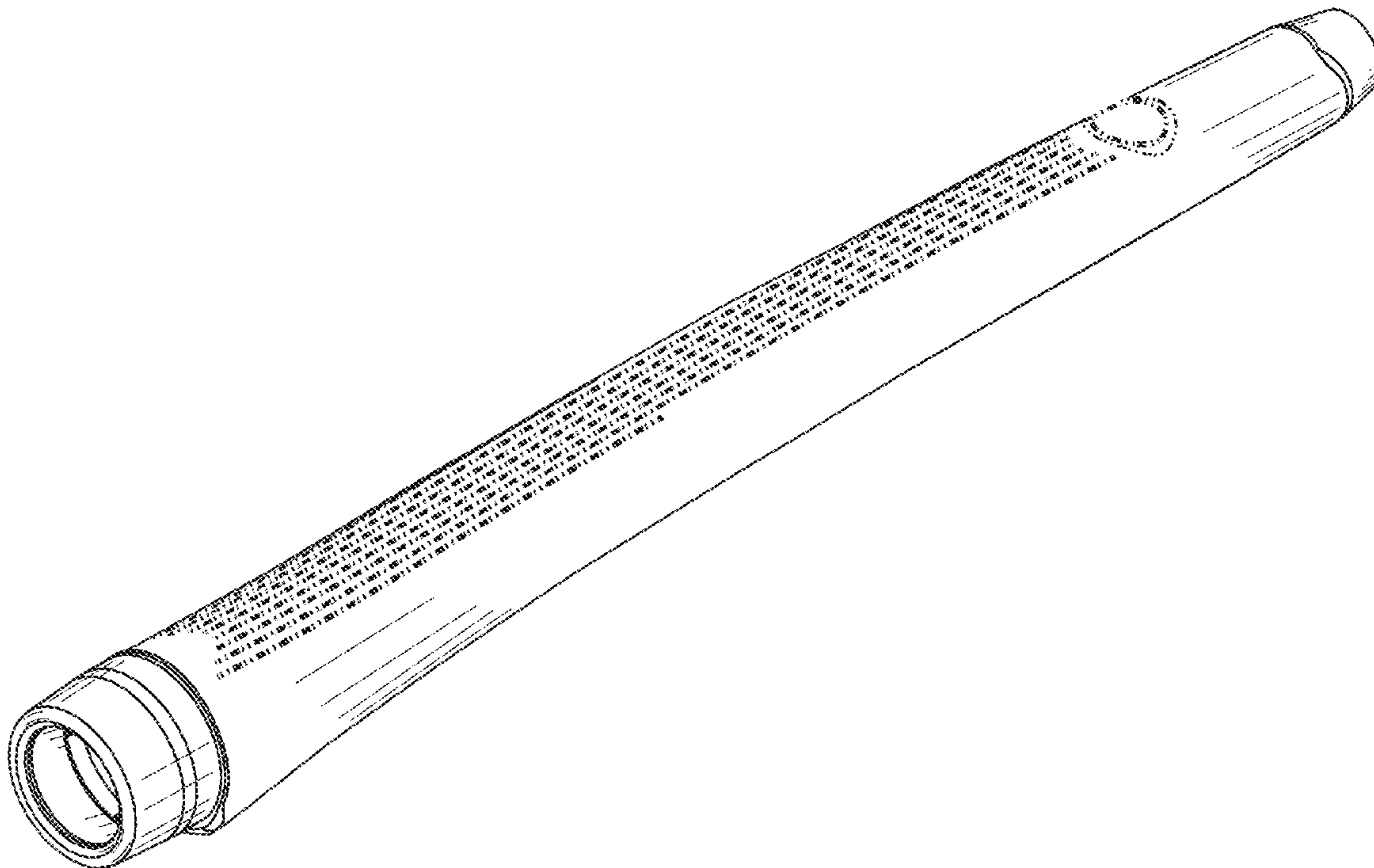


FIGURE 1

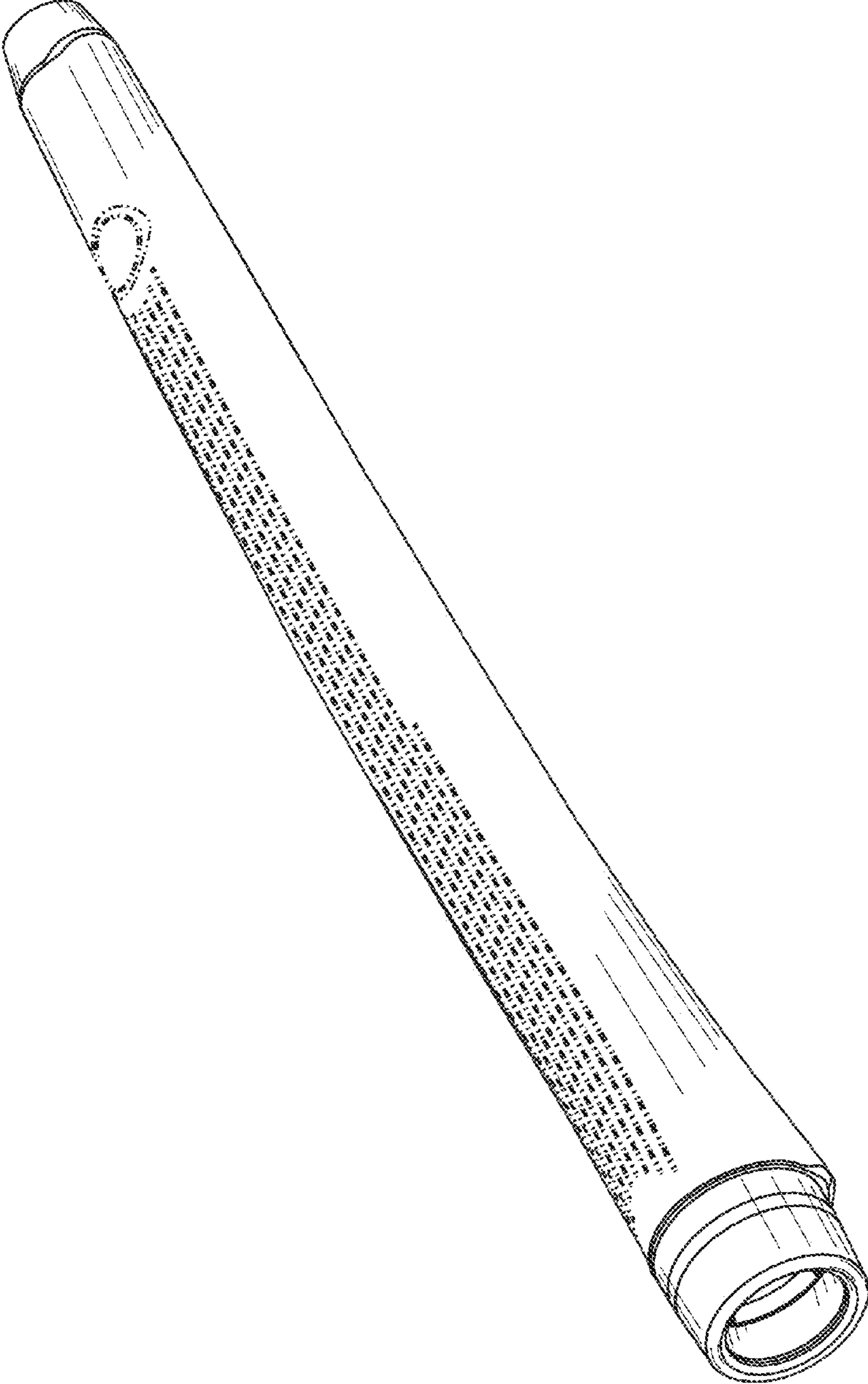


FIGURE 2

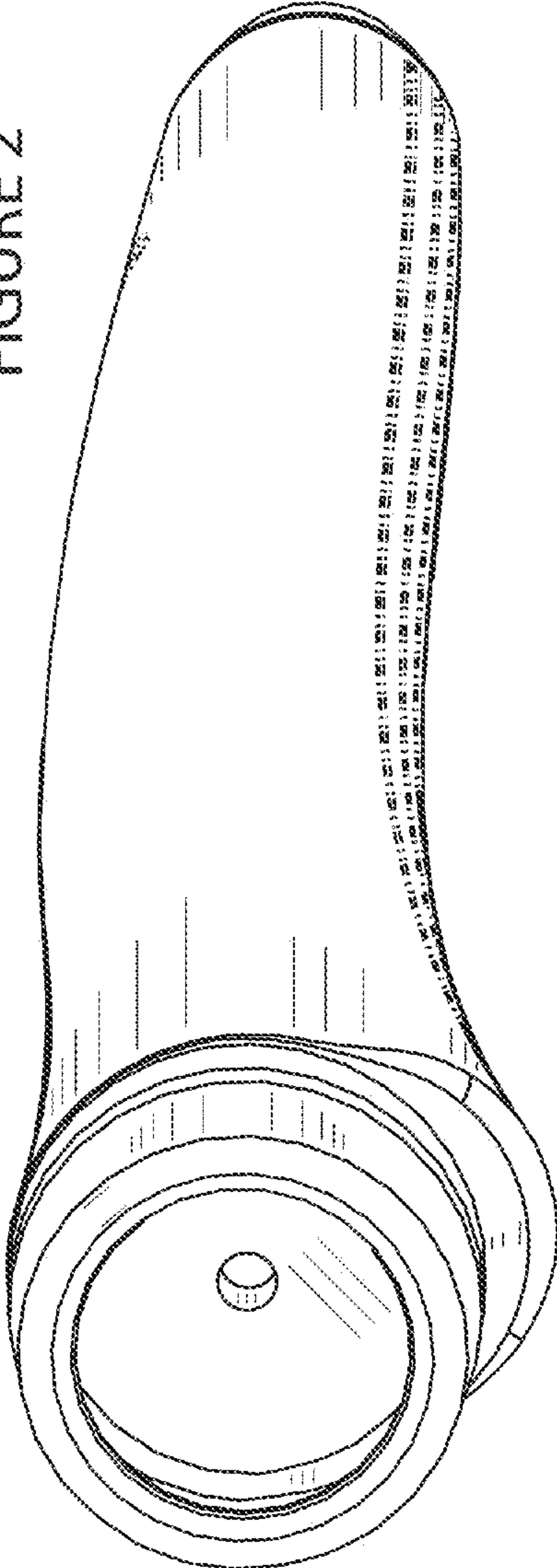


FIGURE 3

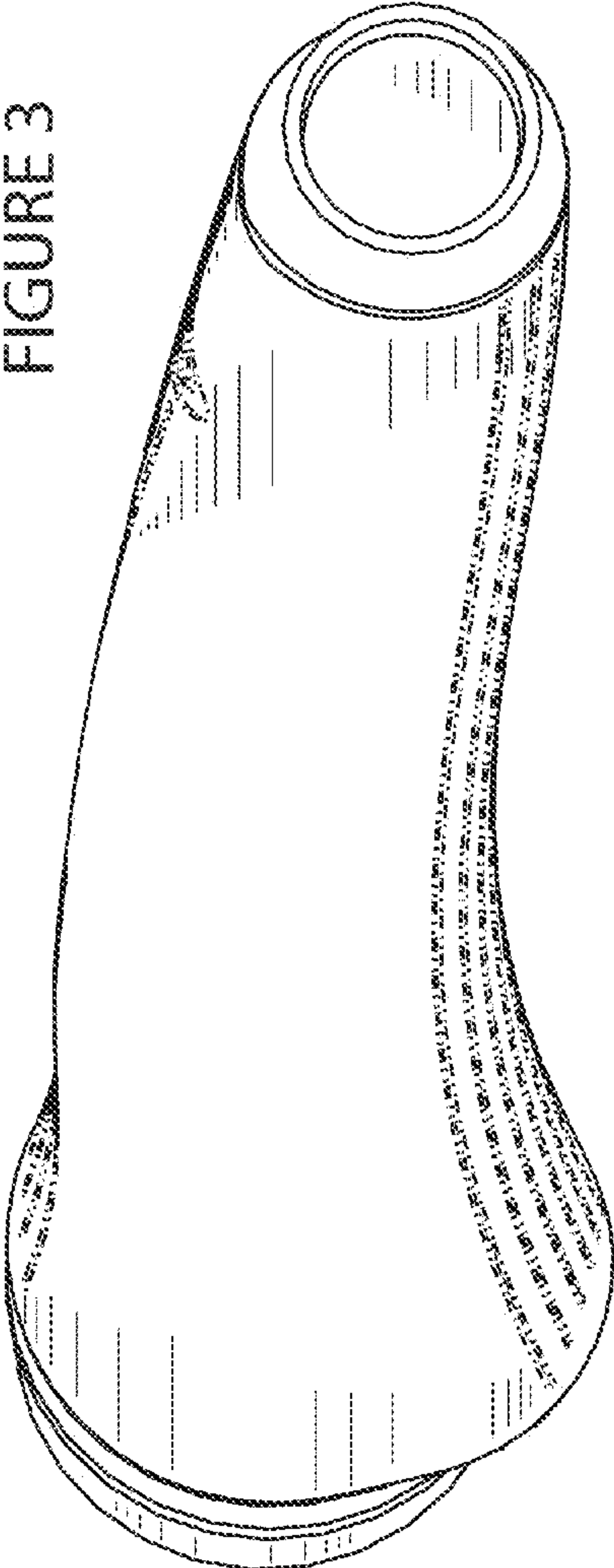


FIGURE 4

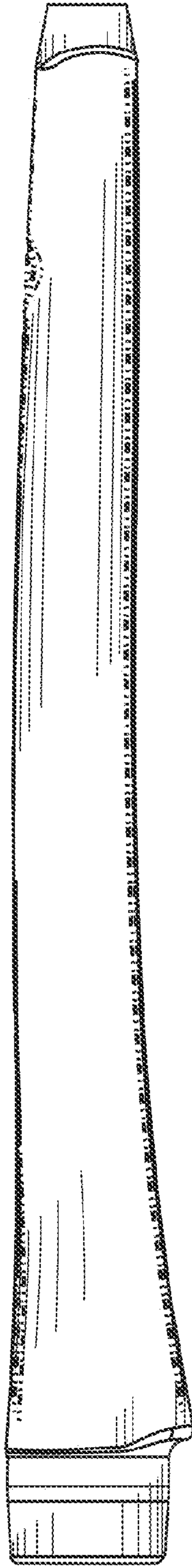


FIGURE 5

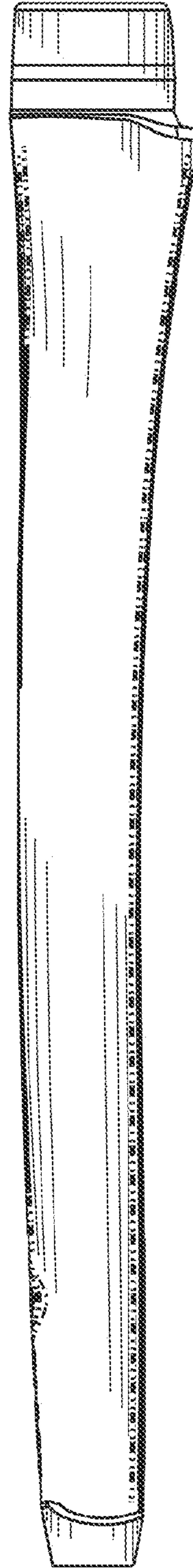


FIGURE 7

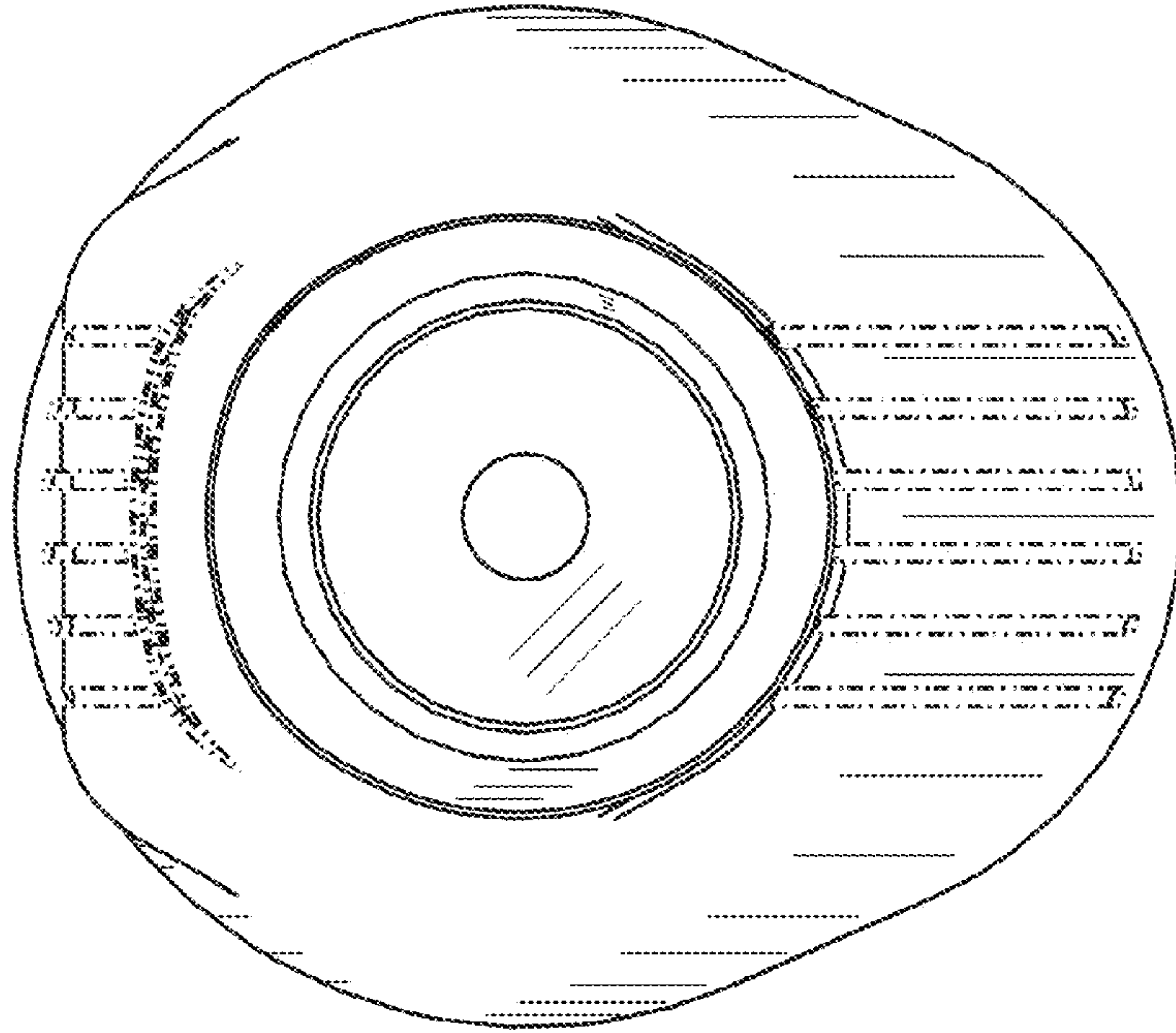


FIGURE 6

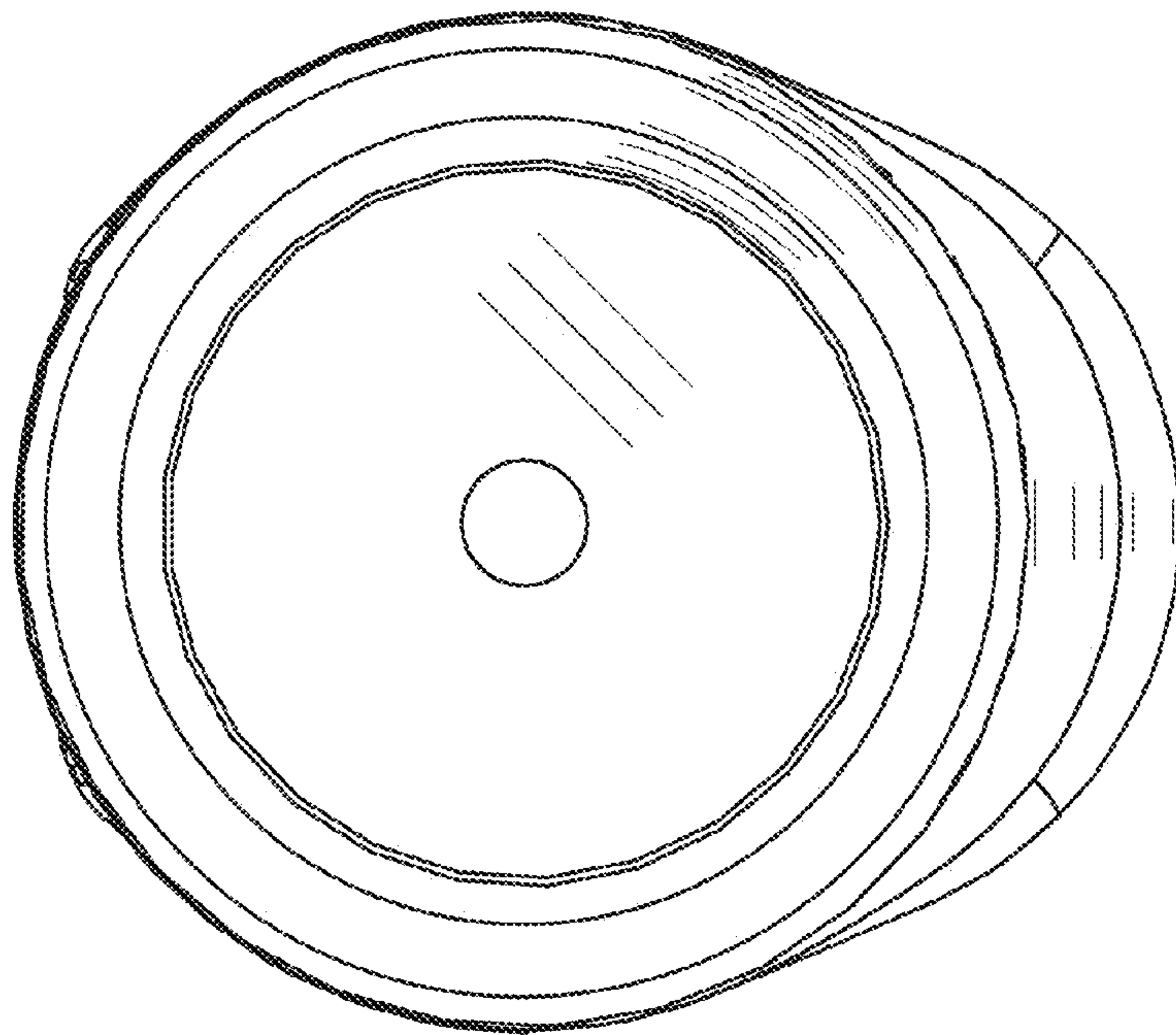


FIGURE 8

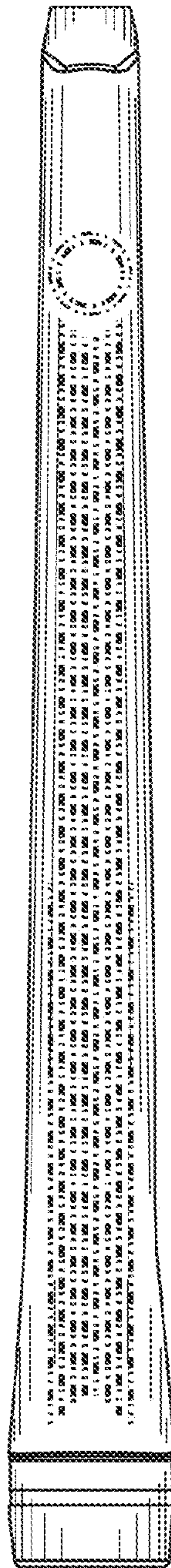


FIGURE 9

