



US00D710461S

(12) **United States Design Patent**
von der Osten

(10) **Patent No.:** **US D710,461 S**

(45) **Date of Patent:** **** Aug. 5, 2014**

(54) **STAR Mallet TOY**

(75) Inventor: **Hans von der Osten**, Hellerup (DK)

(73) Assignee: **Visiodan A/S**, Hellerup (DK)

(**) Term: **14 Years**

(21) Appl. No.: **29/430,928**

(22) Filed: **Aug. 31, 2012**

(30) **Foreign Application Priority Data**

Mar. 1, 2012 (EM) 002000620

(51) **LOC (10) Cl.** **21-01**

(52) **U.S. Cl.**
USPC **D21/567**

(58) **Field of Classification Search**
USPC D21/483, 567; D22/117; D8/78, 80;
463/47.2

See application file for complete search history.

(56) **References Cited**

U.S. PATENT DOCUMENTS

D491,616 S * 6/2004 Cosgrove D21/567
D633,957 S * 3/2011 Brown et al. D21/567
D650,653 S * 12/2011 Colangelo D8/80

* cited by examiner

Primary Examiner — Cynthia M Chin

(74) *Attorney, Agent, or Firm* — Buchanan, Ingersoll & Rooney PC

(57) **CLAIM**

The ornamental design for a star mallet toy, as shown and described.

DESCRIPTION

FIG. 1 is a perspective view of a star mallet toy according to my new design.

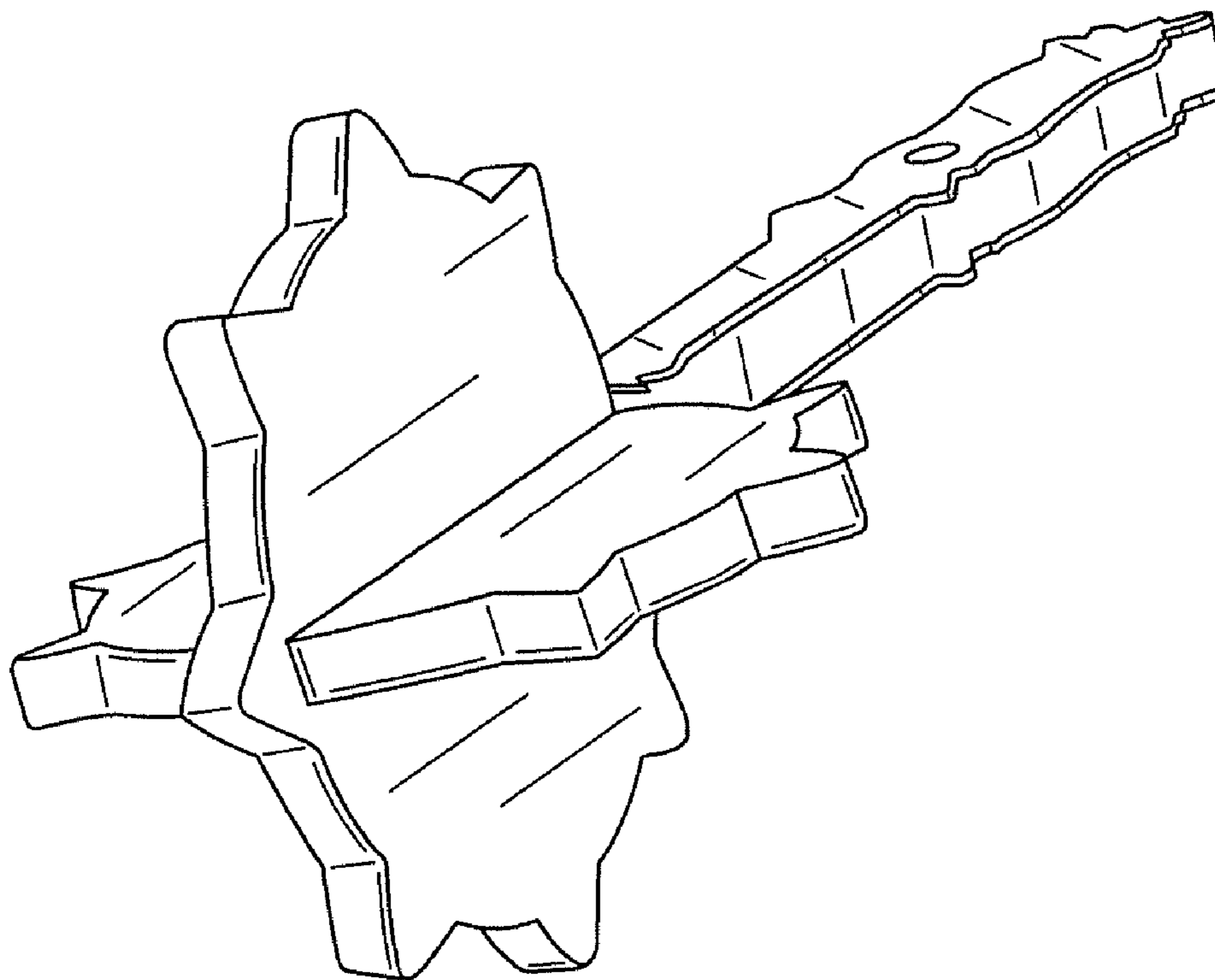
FIG. 2 is a top plan view thereof.

FIG. 3 is a side elevational view thereof, the other side being a mirror image.

FIG. 4 is a bottom plan view thereof; and,

FIG. 5 is a front elevational view thereof.

1 Claim, 3 Drawing Sheets



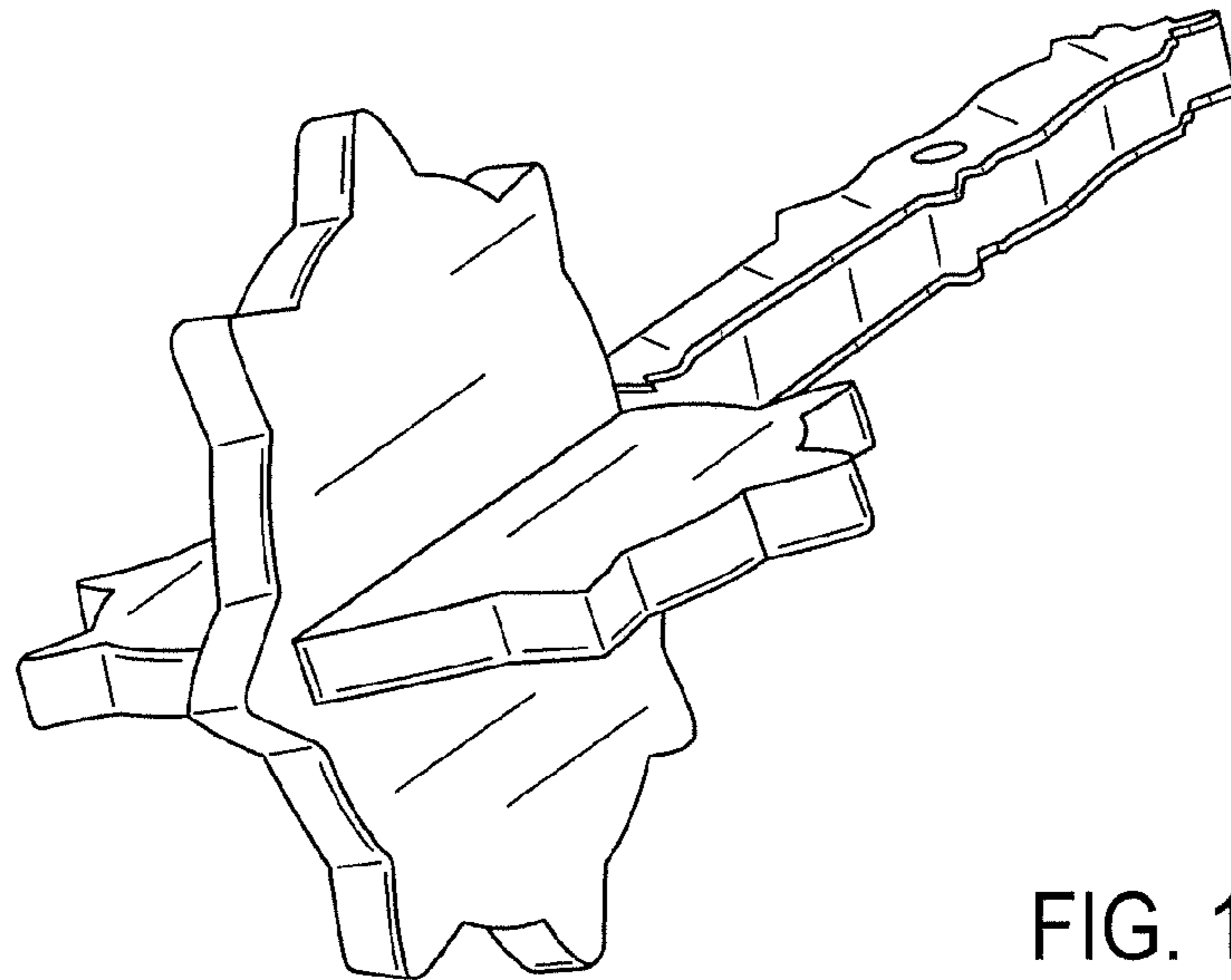


FIG. 1

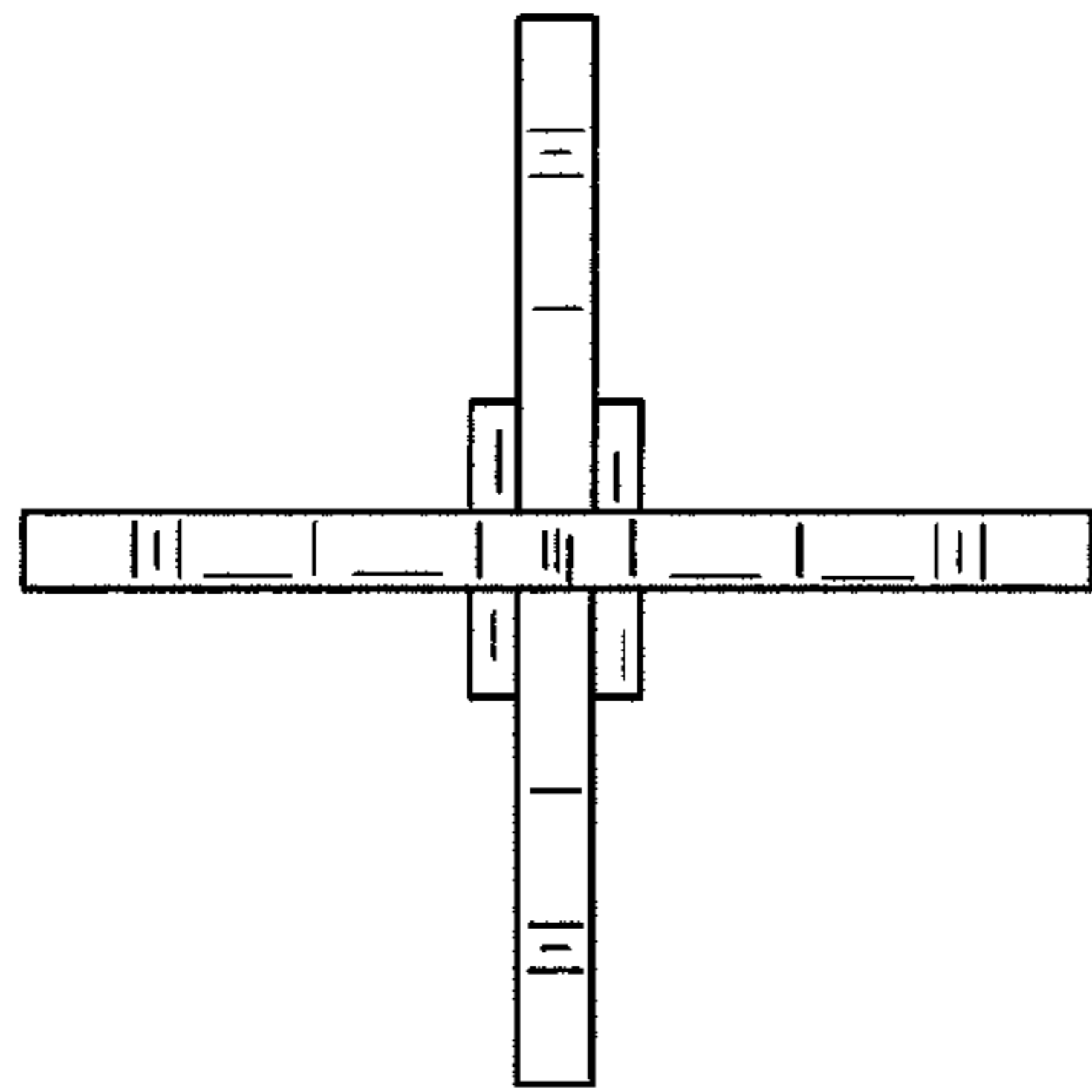


FIG. 2

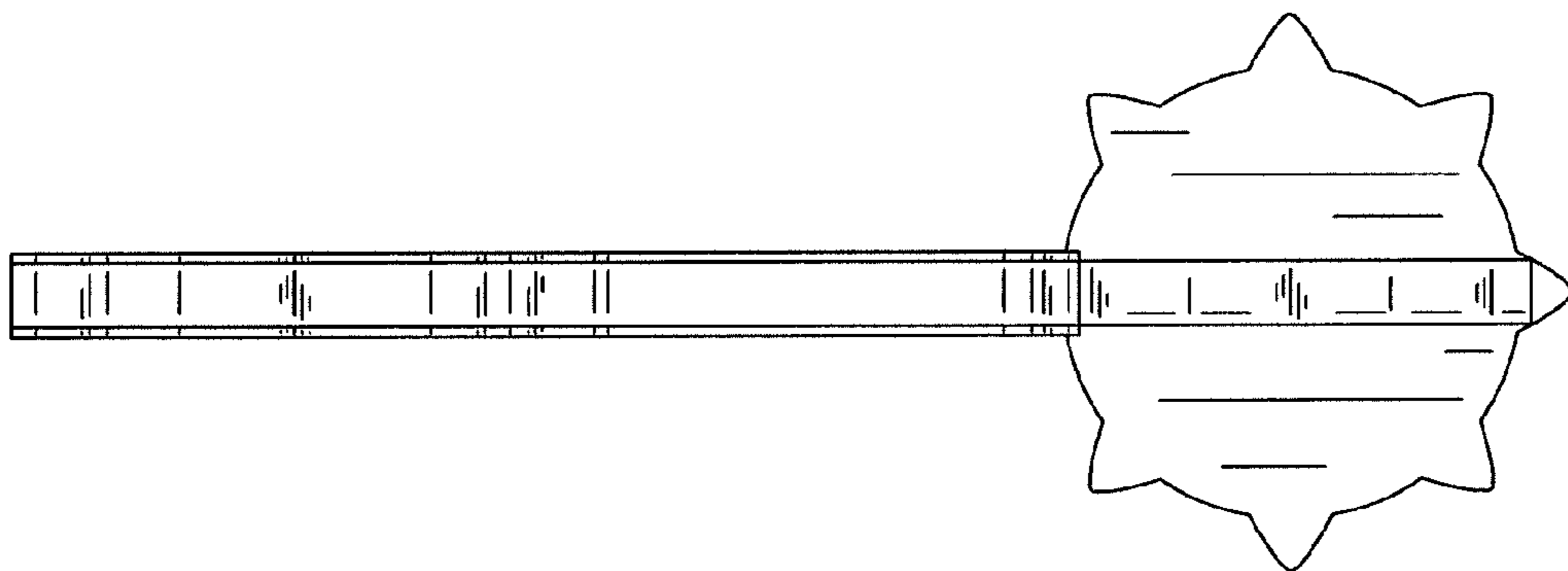


FIG. 3

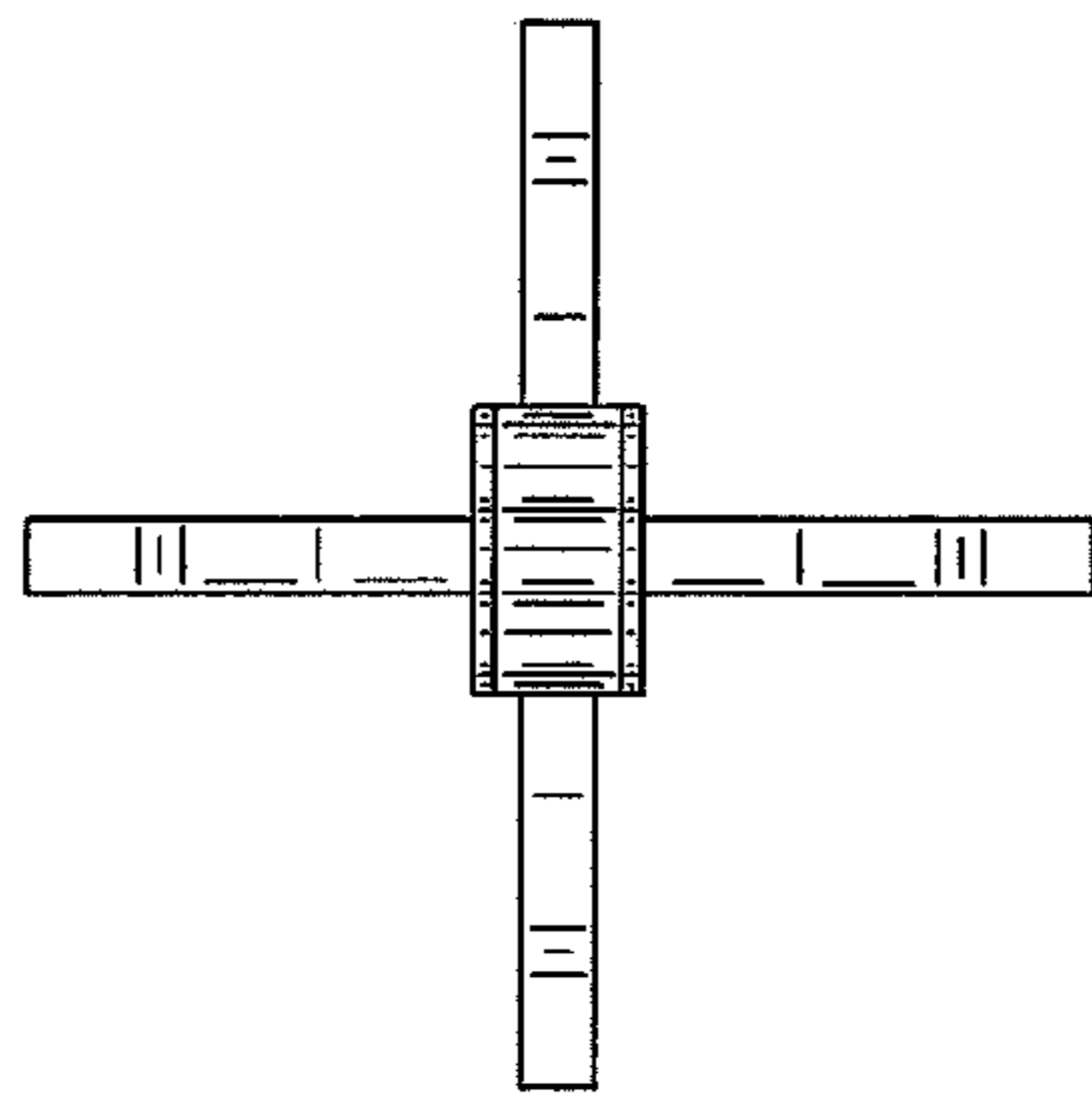


FIG. 4

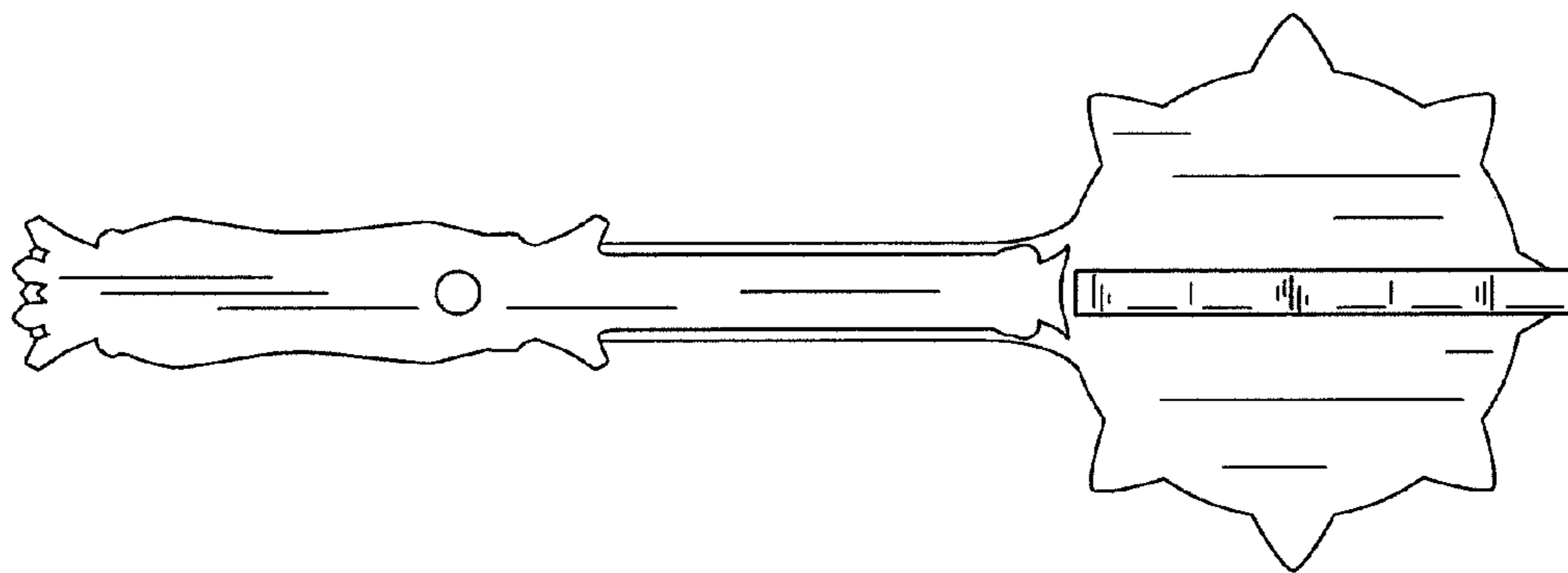


FIG. 5