



US00D710460S

(12) **United States Design Patent**  
**Hattori**

(10) **Patent No.:** **US D710,460 S**

(45) **Date of Patent:** **\*\* Aug. 5, 2014**

(54) **TOY BUS**

(71) Applicant: **Epoch Company, Ltd.**, Tokyo (JP)

(72) Inventor: **Daisuke Hattori**, Tokyo (JP)

(73) Assignee: **Epoch Company, Ltd.**, Tokyo (JP)

(\*\*) Term: **14 Years**

(21) Appl. No.: **29/455,815**

(22) Filed: **May 24, 2013**

(30) **Foreign Application Priority Data**

Dec. 14, 2012 (JP) ..... 2012-030617

(51) **LOC (10) Cl.** ..... **21-01**

(52) **U.S. Cl.**

USPC ..... **D21/552**

(58) **Field of Classification Search**

USPC ..... D21/419, 434, 533, 548, 551, 552, 558,  
D21/559; D12/84; 446/93, 95, 431, 470;  
180/65.1; 296/79; D6/449

See application file for complete search history.

(56) **References Cited**

**U.S. PATENT DOCUMENTS**

D231,665 S \* 5/1974 Spiegel ..... D21/470  
D238,697 S \* 2/1976 McKague ..... D21/552  
D281,987 S \* 12/1985 Catelli ..... D21/552  
D309,643 S \* 7/1990 Picozza et al. .... D21/552

D314,594 S \* 2/1991 Trossman ..... D21/552  
D347,030 S \* 5/1994 Nolan ..... D21/434  
D364,893 S \* 12/1995 Willard et al. .... D12/84  
D378,905 S \* 4/1997 Meister et al. .... D12/84  
D388,744 S \* 1/1998 Pfannenstiel et al. .... D12/84  
D410,506 S \* 6/1999 Lam ..... D21/552  
D423,052 S \* 4/2000 Chan ..... D21/552  
D445,466 S \* 7/2001 Ma ..... D21/552  
D602,710 S \* 10/2009 Thurston ..... D6/449

\* cited by examiner

*Primary Examiner* — Cynthia M Chin

(74) *Attorney, Agent, or Firm* — Westerman, Hattori,  
Daniels & Adrian, LLP

(57) **CLAIM**

The ornamental design for a toy bus, as shown and described.

**DESCRIPTION**

FIG. 1 is a left front perspective view of a toy bus showing my new design;

FIG. 2 is a right rear perspective view thereof;

FIG. 3 is a left side elevational view thereof;

FIG. 4 is a right side elevational view thereof;

FIG. 5 is a top plan view thereof;

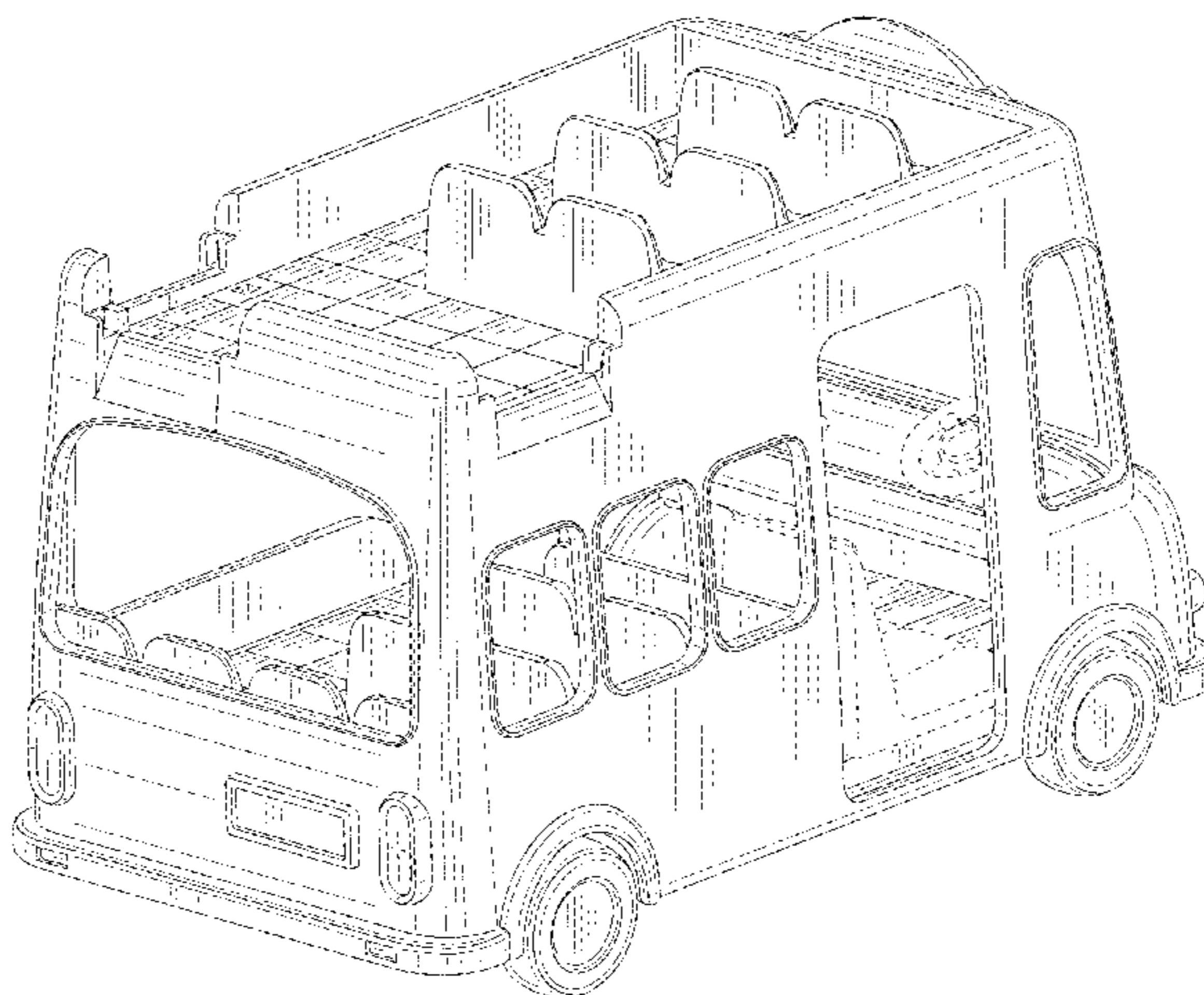
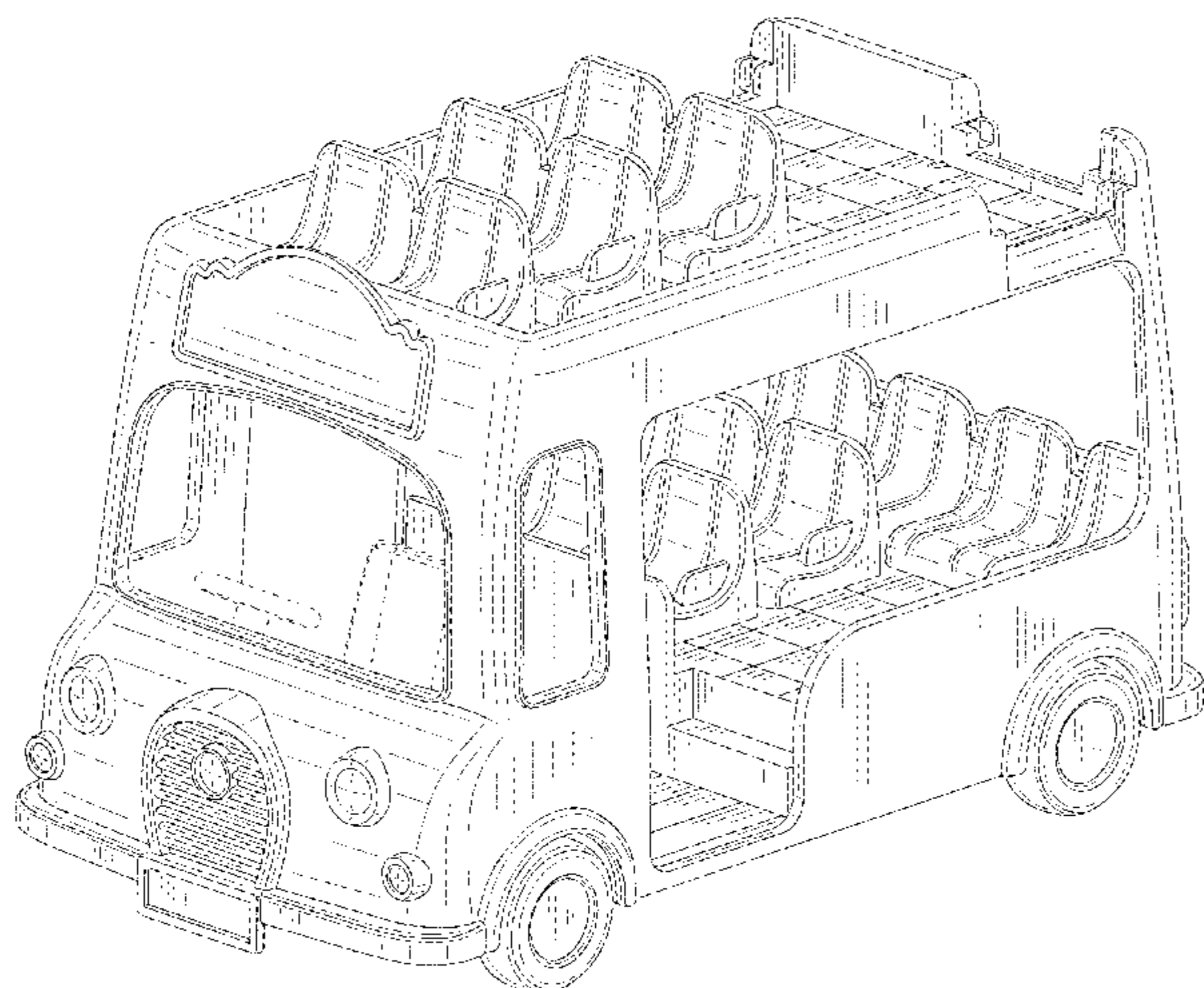
FIG. 6 is a front elevational view thereof;

FIG. 7 is a rear elevational view thereof; and,

FIG. 8 is a left front perspective view thereof, with the top level detached.

The broken lines illustration portions of the toy bus that form no part of the claimed design.

**1 Claim, 8 Drawing Sheets**



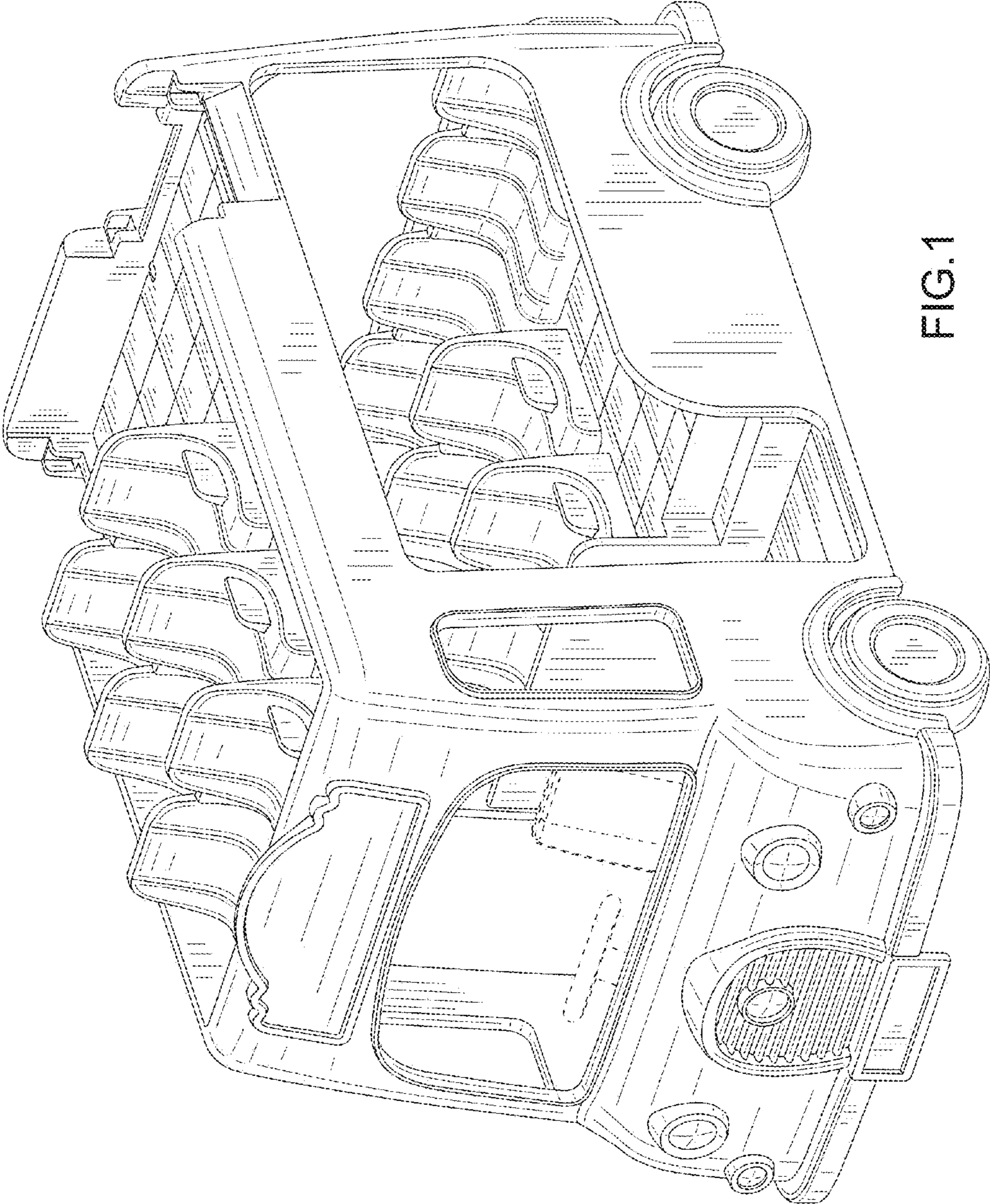
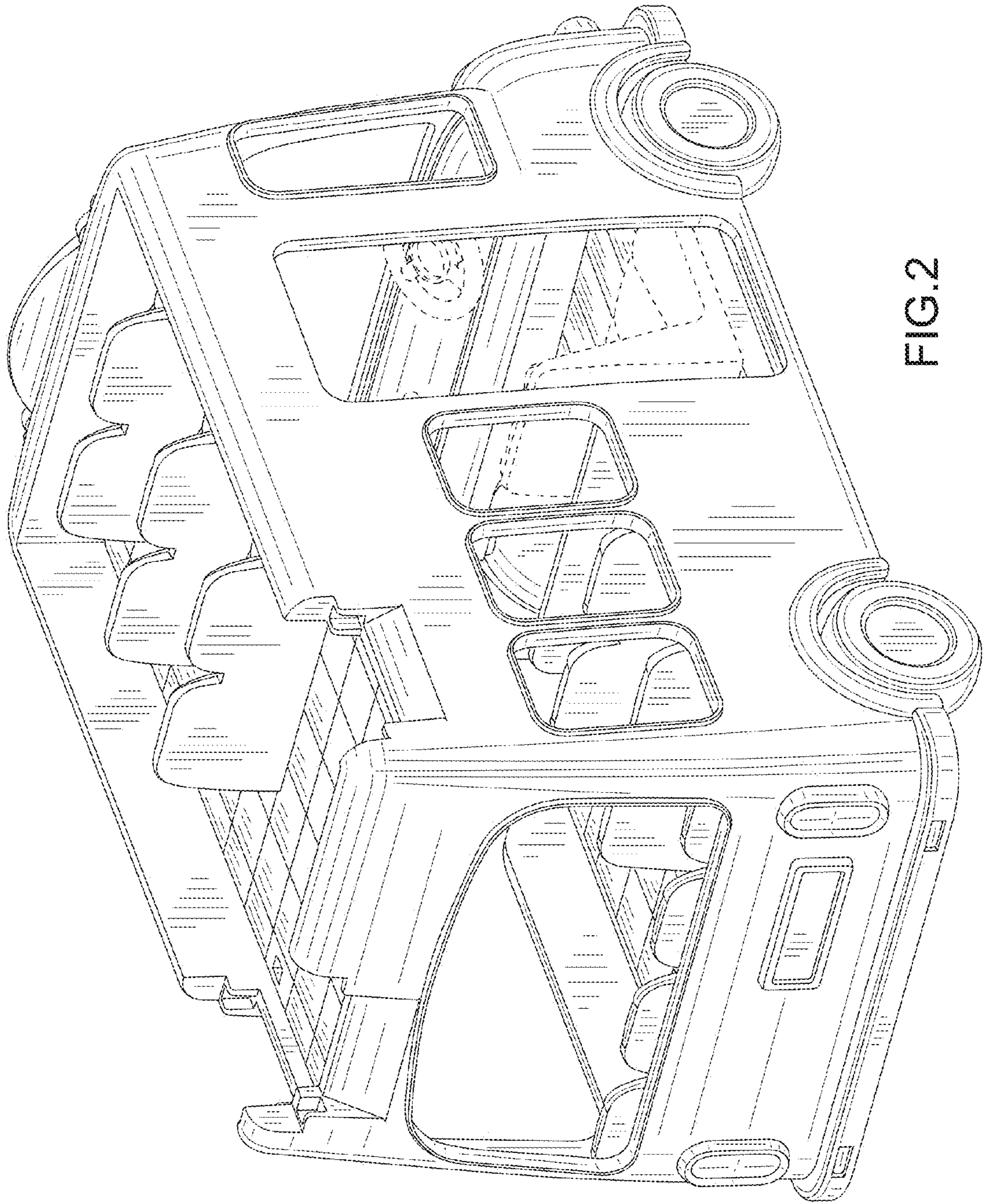


FIG.1



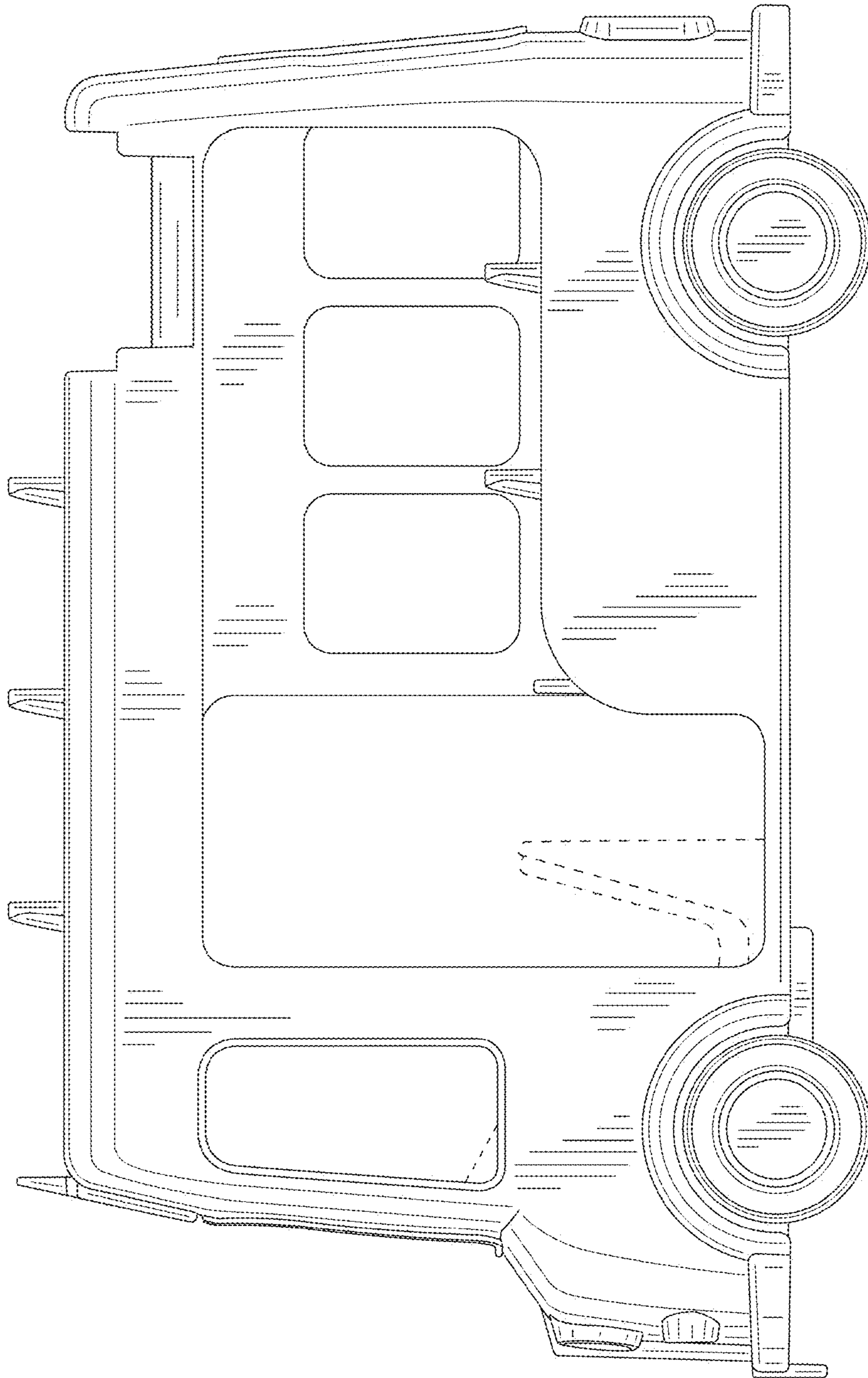


FIG. 3

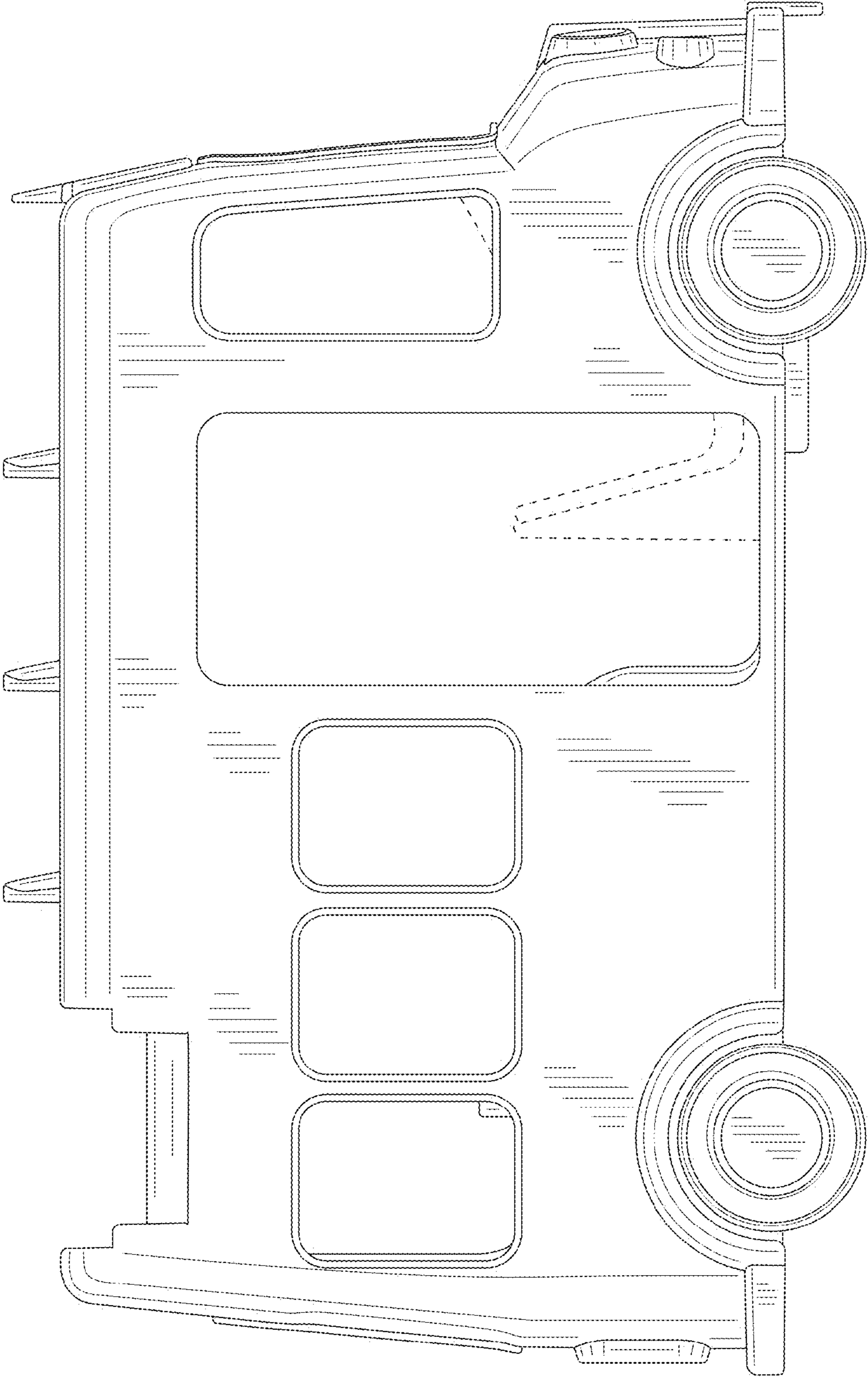


FIG.4

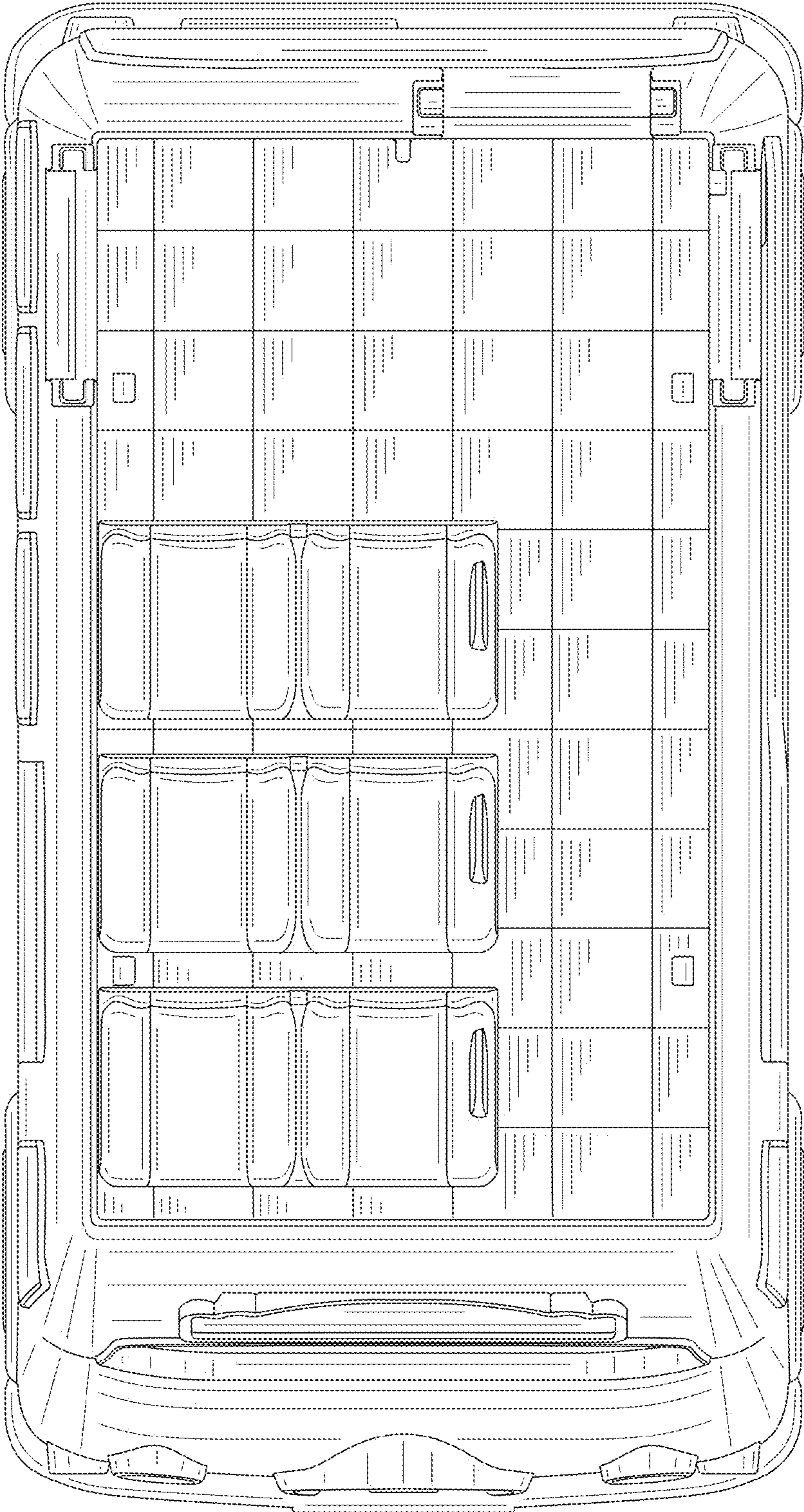


FIG. 5

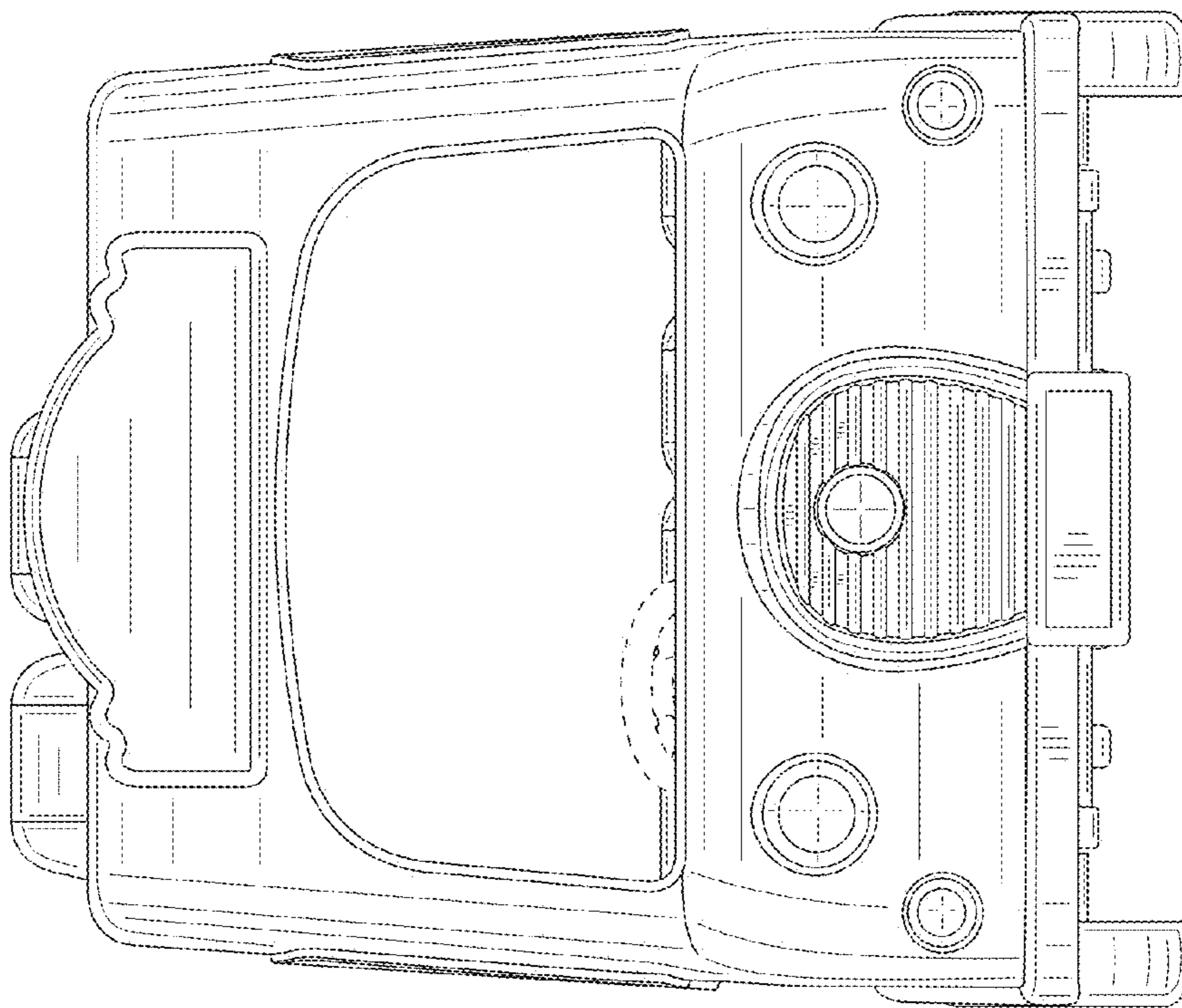


FIG.6

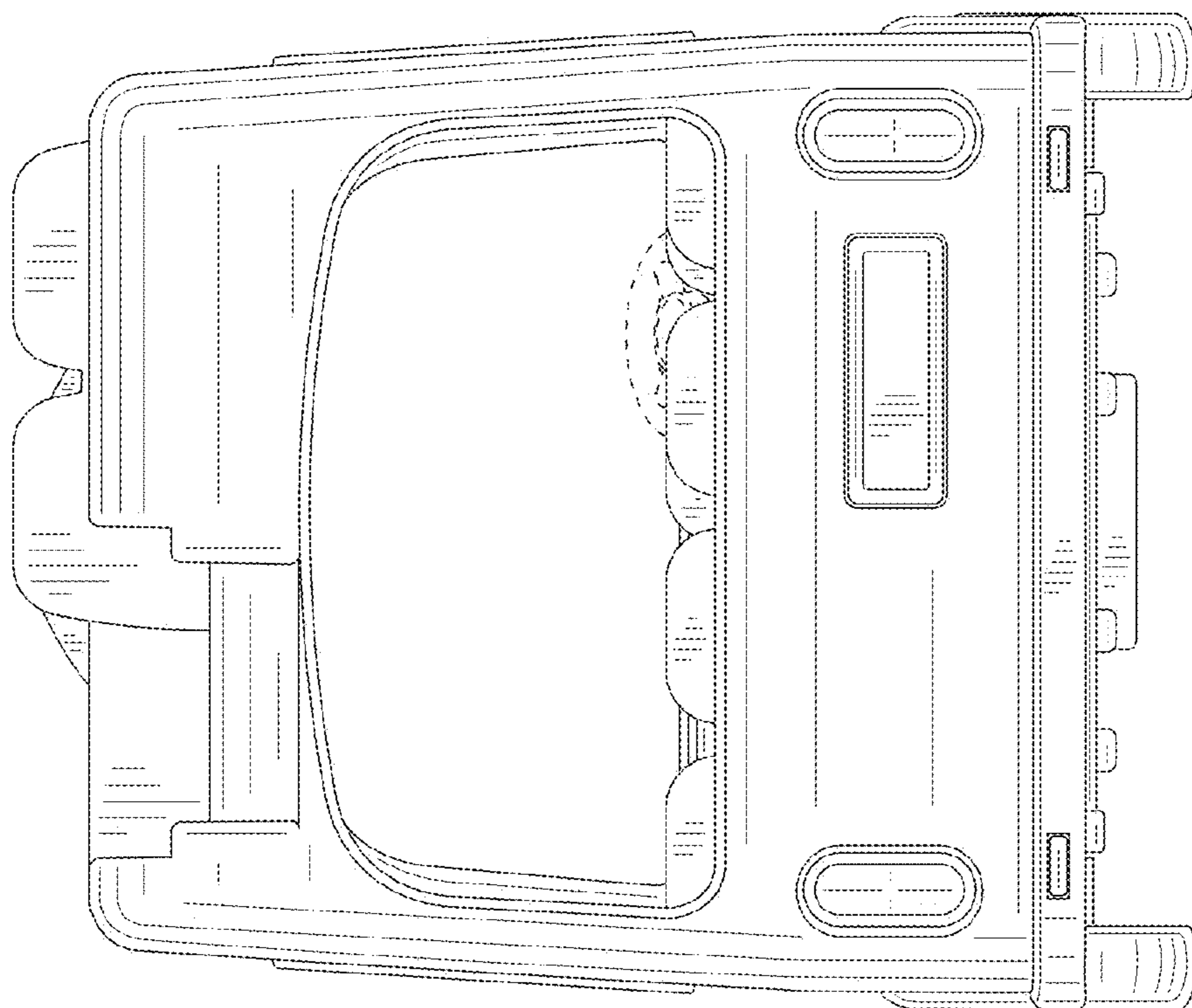


FIG.7



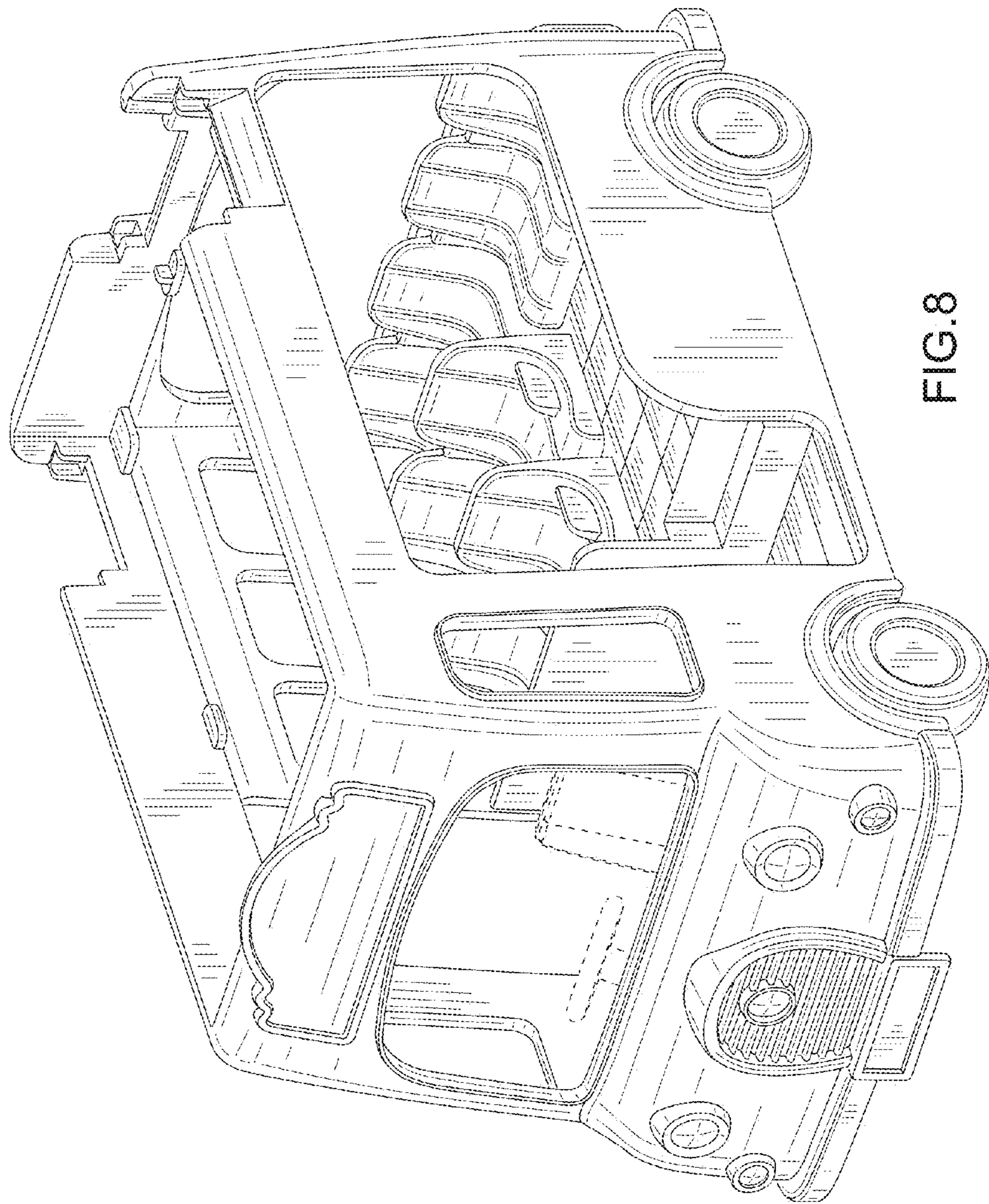


FIG.8