



US00D710454S

(12) **United States Design Patent**
Barajas et al.

(10) **Patent No.:** **US D710,454 S**
(45) **Date of Patent:** **** Aug. 5, 2014**

(54) **CANOPY FOR A QUADROTOR MODEL HELICOPTER**

(71) Applicant: **Traxxas LP**, Plano, TX (US)

(72) Inventors: **Jaime Felix Barajas**, McKinney, TX (US); **Kent Poteet**, Lucas, TX (US); **Casey Christen Jens Christensen**, McKinney, TX (US); **Otto Karl Allmendinger**, Rowlett, TX (US); **Richard Douglas Hohnholt**, Coppell, TX (US)

(73) Assignee: **Traxxas LP**, McKinney, TX (US)

(**) Term: **14 Years**

(21) Appl. No.: **29/464,413**

(22) Filed: **Aug. 15, 2013**

(51) **LOC (10) Cl.** **21-01**

(52) **U.S. Cl.**
USPC **D21/442**; D21/450; D12/16.1; D12/326; D12/328

(58) **Field of Classification Search**

CPC A63H 27/02; A63H 27/04; A63H 27/12; A63H 27/127; A63H 27/133; B64C 2201/024; B64C 2201/108; B64C 2201/165; B64C 2203/00; B64C 39/024
USPC D12/16.1, 319, 320, 325, 326, 327, 328, D12/329; D21/430, 436, 437, 441, 442, D21/443, 444, 447, 450, 451, 453; 446/36, 446/37, 46-48, 230, 231, 232, 233, 236; 244/2, 5, 6, 7 A, 7 R, 12.1, 12.2, 17.11, 244/17.13, 17.17, 17.23, 17.25, 17.27, 23 C, 244/23 R, 53 R, 63, 158.1-158.3; 280/1.12; 416/130; 180/118; 89/1.13

See application file for complete search history.

(56) **References Cited**

U.S. PATENT DOCUMENTS

1,749,471	A *	3/1930	De Bothezat	416/130
3,053,480	A *	9/1962	Vanderlip	244/17.13
3,253,806	A *	5/1966	Eickmann	244/17.23
3,345,016	A *	10/1967	Eickmann	244/17.23
3,768,757	A *	10/1973	Eickmann	244/17.23
5,082,079	A *	1/1992	Lissaman et al.	180/118
D453,317	S	2/2002	DeTore et al.		

(Continued)

OTHER PUBLICATIONS

MATTYP2013; "Phantom/Hero Black for sale" RC Groups bulletin board post; Jan. 13, 2013; <http://www.rcgroups.com/forums/showpost.php?p=23798876&postcount=1245>.
Elintocable; "Traxxas QR-1 Quad Rotor"; RC Groups bulletin board post; Nov. 22, 2012; <http://www.rcgroups.com/forums/showthread.php?t=1775303&highlight=qr+1#post23336888>.

(Continued)

Primary Examiner — Martie K Holtje

(74) *Attorney, Agent, or Firm* — Carr LLP

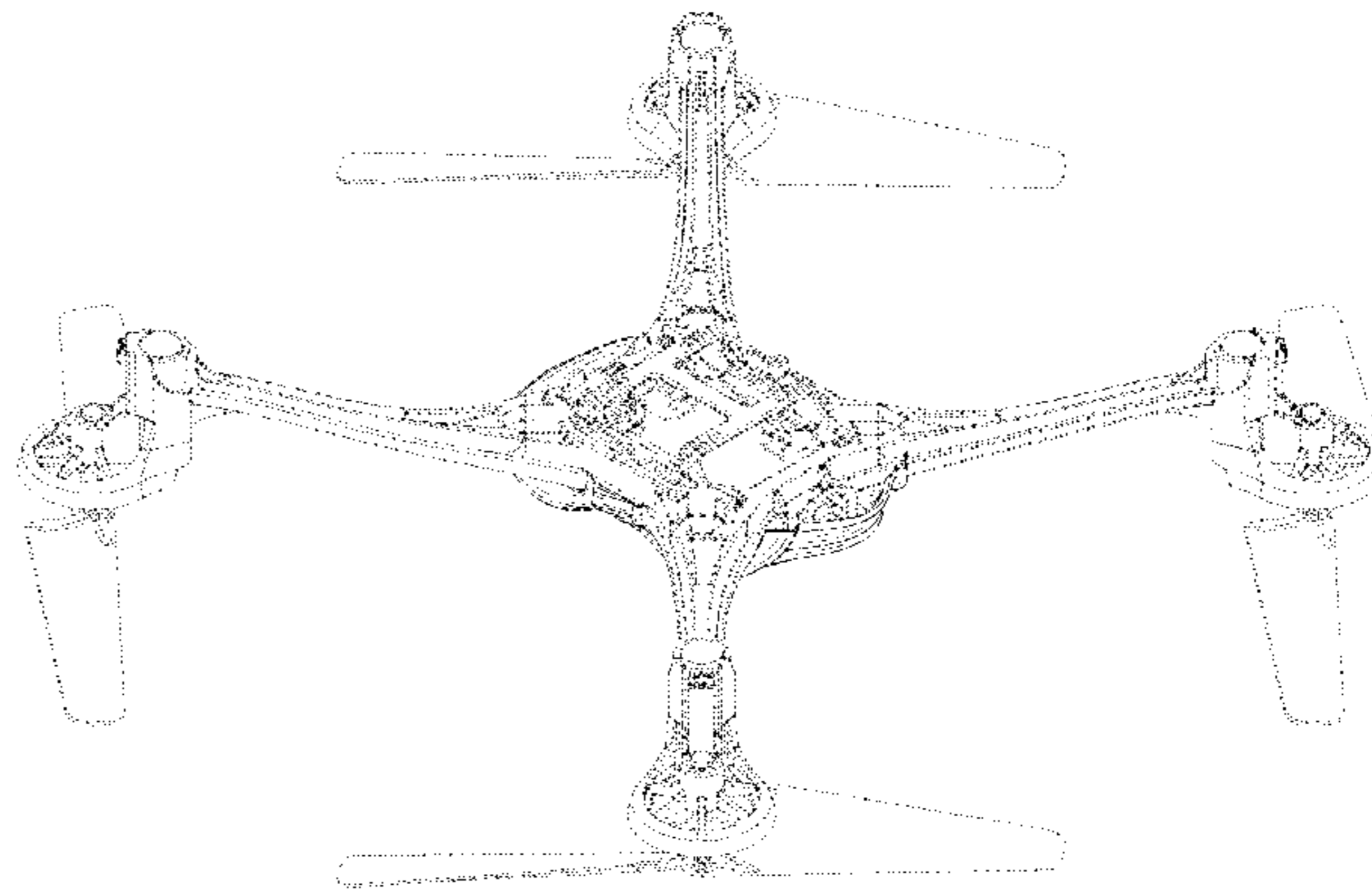
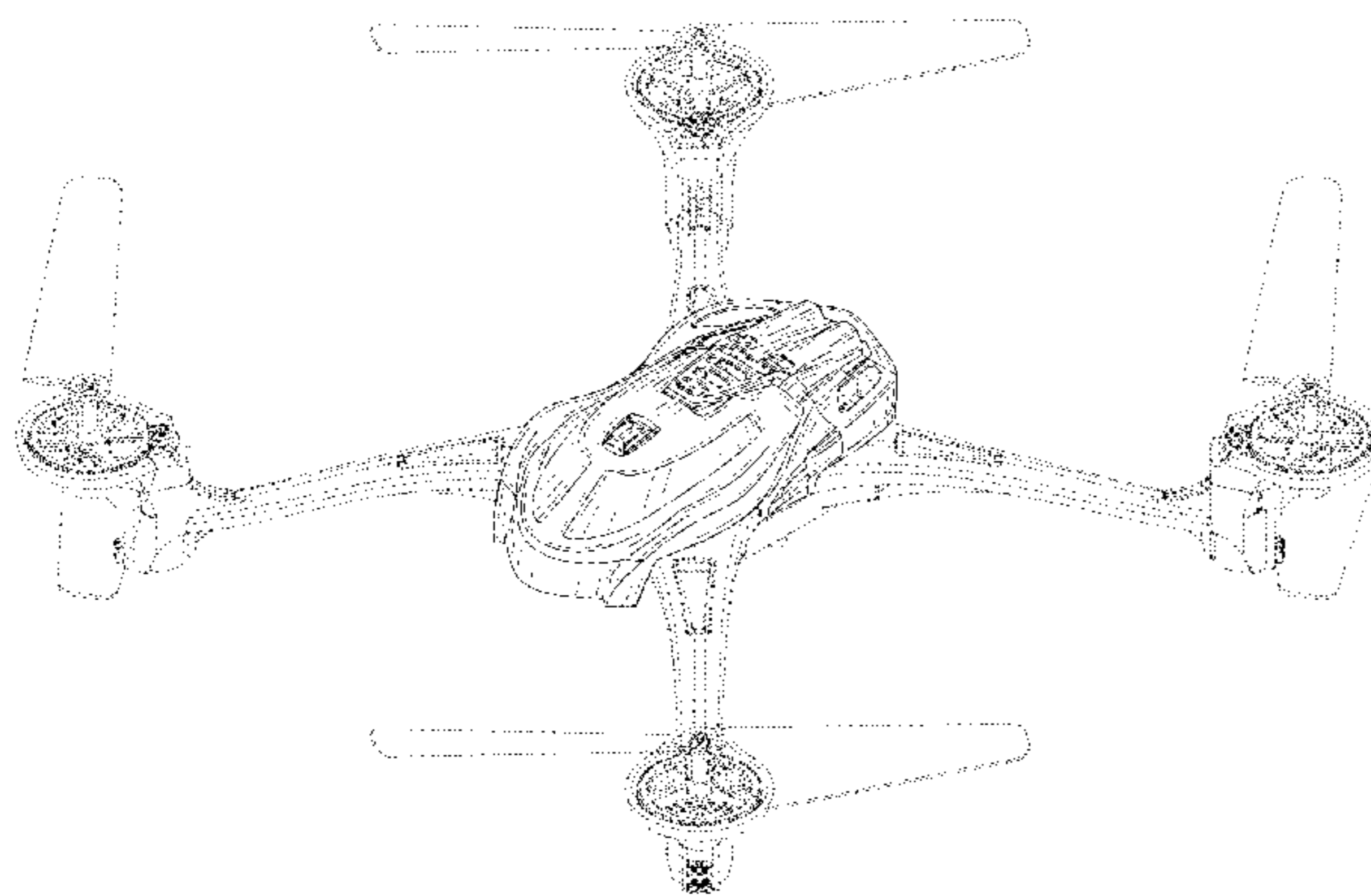
(57) **CLAIM**

The ornamental design for a canopy for a quadrotor model helicopter, as shown and described.

DESCRIPTION

FIG. 1 is a top, right front perspective view of a canopy for a quadrotor model helicopter showing our new design; FIG. 2 is a top, left rear perspective view thereof; FIG. 3 is a top plan view thereof; FIG. 4 is a bottom plan view thereof; FIG. 5 is a front elevational view thereof; FIG. 6 is a right side elevational view thereof; FIG. 7 is a left side elevational view thereof; FIG. 8 is a rear elevational view thereof; FIG. 9 is bottom, right rear perspective view thereof; and, FIG. 10 is bottom left front perspective view thereof. The structural elements depicted by broken lines have been shown for the purpose of illustrating portions of the canopy for a quadrotor model helicopter that form no part of the claimed design.

1 Claim, 8 Drawing Sheets



(56)

References Cited

U.S. PATENT DOCUMENTS

D458,892	S	6/2002	DeTore et al.	
D465,196	S *	11/2002	Dammar	D12/328
6,626,078	B2 *	9/2003	Thornton	89/1.13
D628,658	S *	12/2010	Wurm	D21/442
D648,808	S *	11/2011	Seydoux et al.	D21/441
D659,771	S *	5/2012	Seydoux et al.	D21/441
D691,514	S *	10/2013	Wang et al.	D12/16.1
2007/0105474	A1 *	5/2007	Gotou et al.	446/37
2008/0048065	A1 *	2/2008	Kuntz	244/17.23
2009/0283629	A1 *	11/2009	Kroetsch et al.	244/17.23
2010/0243794	A1 *	9/2010	Jermyn	244/17.23
2011/0017865	A1	1/2011	Achtelik et al.	
2011/0288696	A1	11/2011	Lefebure	
2012/0078451	A1 *	3/2012	Ohtomo et al.	701/15
2012/0138732	A1 *	6/2012	Olm et al.	244/17.23
2013/0092799	A1	4/2013	Tian et al.	
2014/0032034	A1	1/2014	Raptopoulos et al.	
2014/0099853	A1	4/2014	Condon et al.	

OTHER PUBLICATIONS

Blade mQX, Ultra Micro Quad-Copter; Jun. 15, 2012.
 Blade Nano QX 18 Gram Quad-Copter; Jul. 3, 2013.
 Hobbico; "Heli Max1SQ Ready-to-Fly Quadcopter", fact sheet; 2012; <http://downloads.hobbico.com/factsheets/hmx/hmxe0834-fact-sheet.pdf>.
 Syma X1 quadcopter; photographed Apr. 22, 2013.
 Dualsky, Hornet 460, 9th Shanghai International Model Exhibition 2012; Aug. 28, 2013;
 Ariete; "Walkera Hoten X" RC Groups bulletin board post; Jul. 26, 2012; <http://www.rcgroups.com/forums/showpost.php?p=22269995&postcount=1>.
 Walkera; "Ladybird" quadcopter; May 25, 2012.
 Walkera; "Scorpion" quadcopter; Jul. 20, 2012.
 Walkera; "MX400 UFO" quadcopter; May 23, 2012.
 Parrot AR.Drone2.0; photographed May 26, 2012.
 Bangkomit; "Hubsan X4H107L"; RC Groups bulletin board post; Mar. 1, 2013; <http://www.rcgroups.com/forums/showthread.php?t=1842561#post24290286>.

* cited by examiner

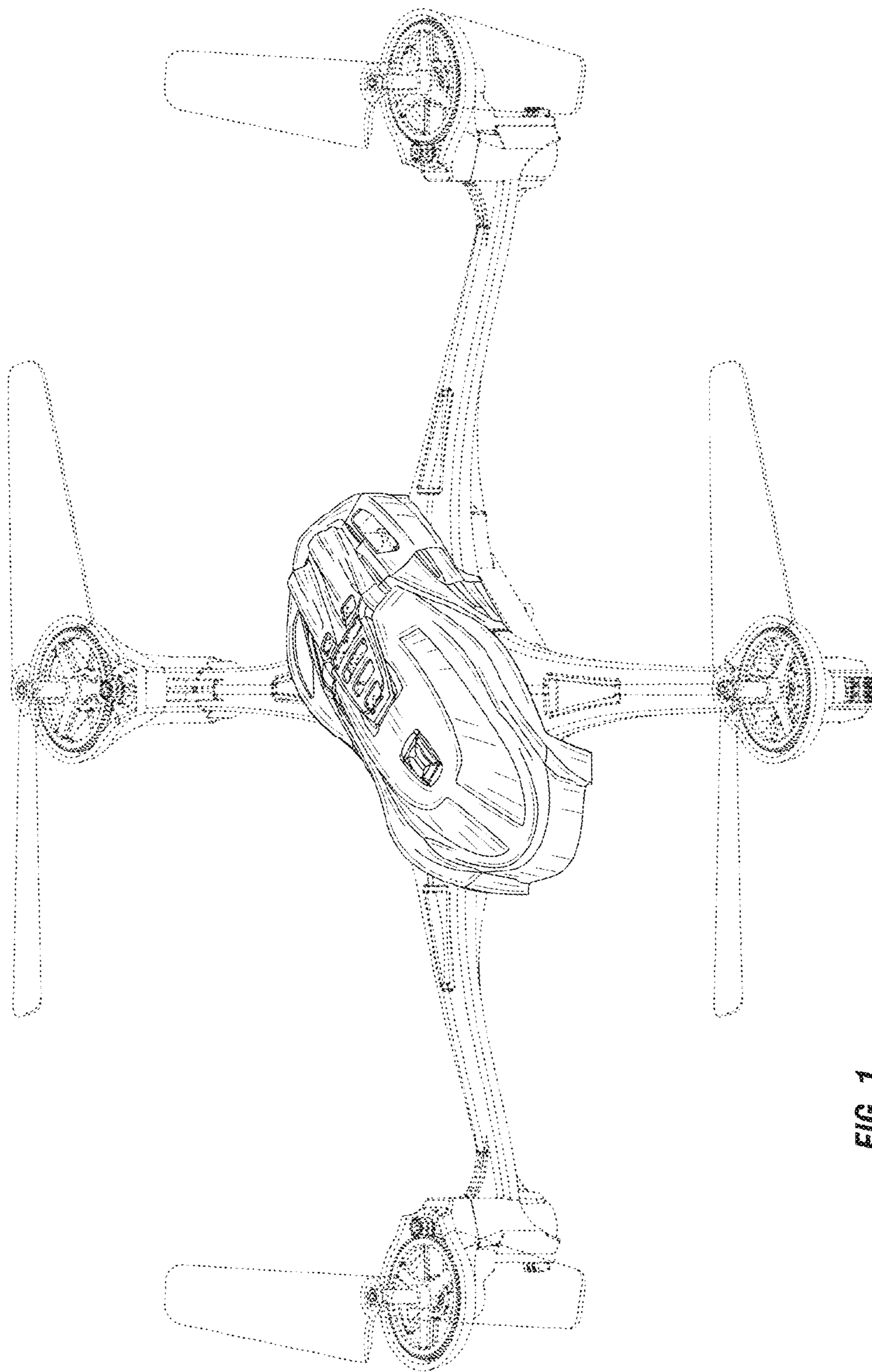


FIG. 1

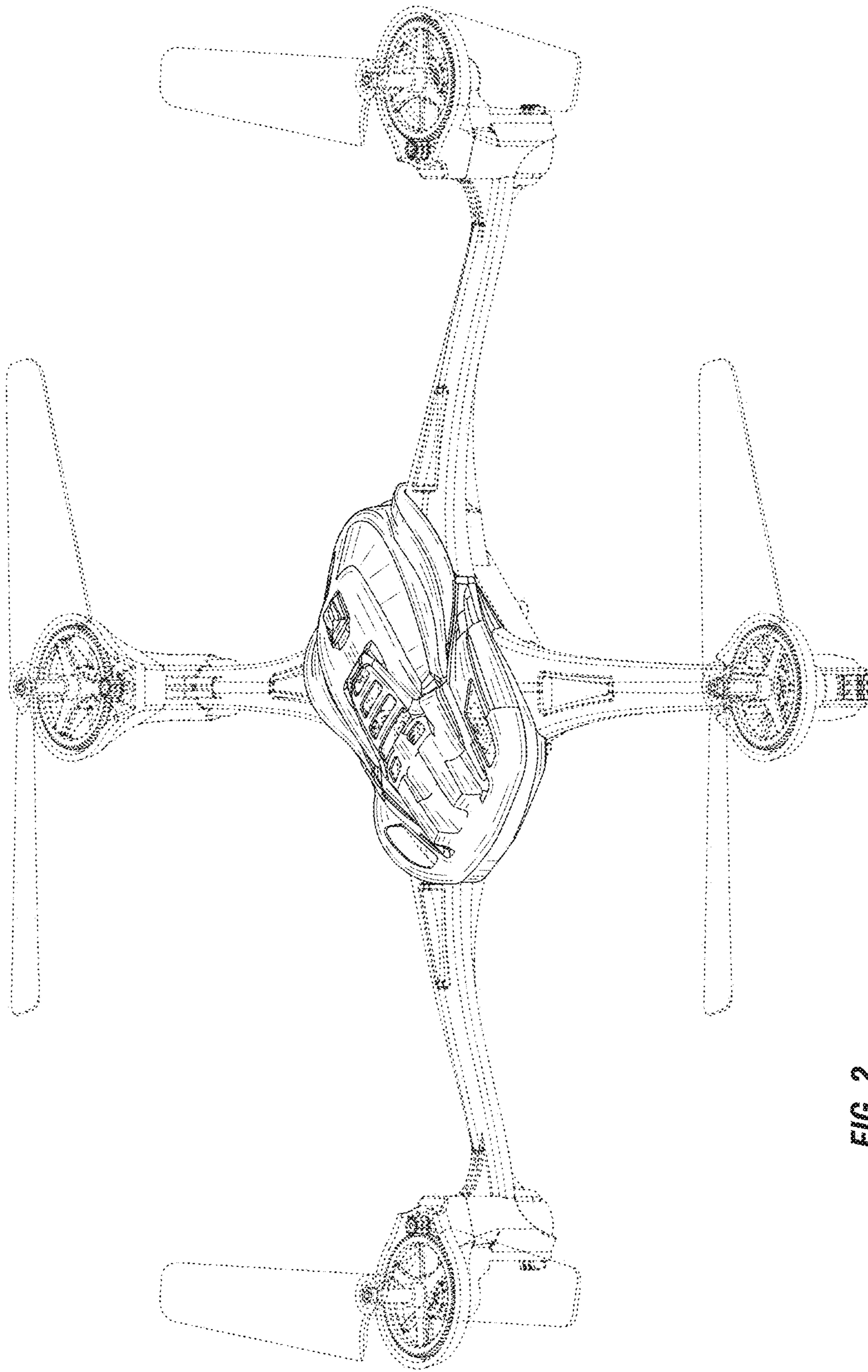


FIG. 2

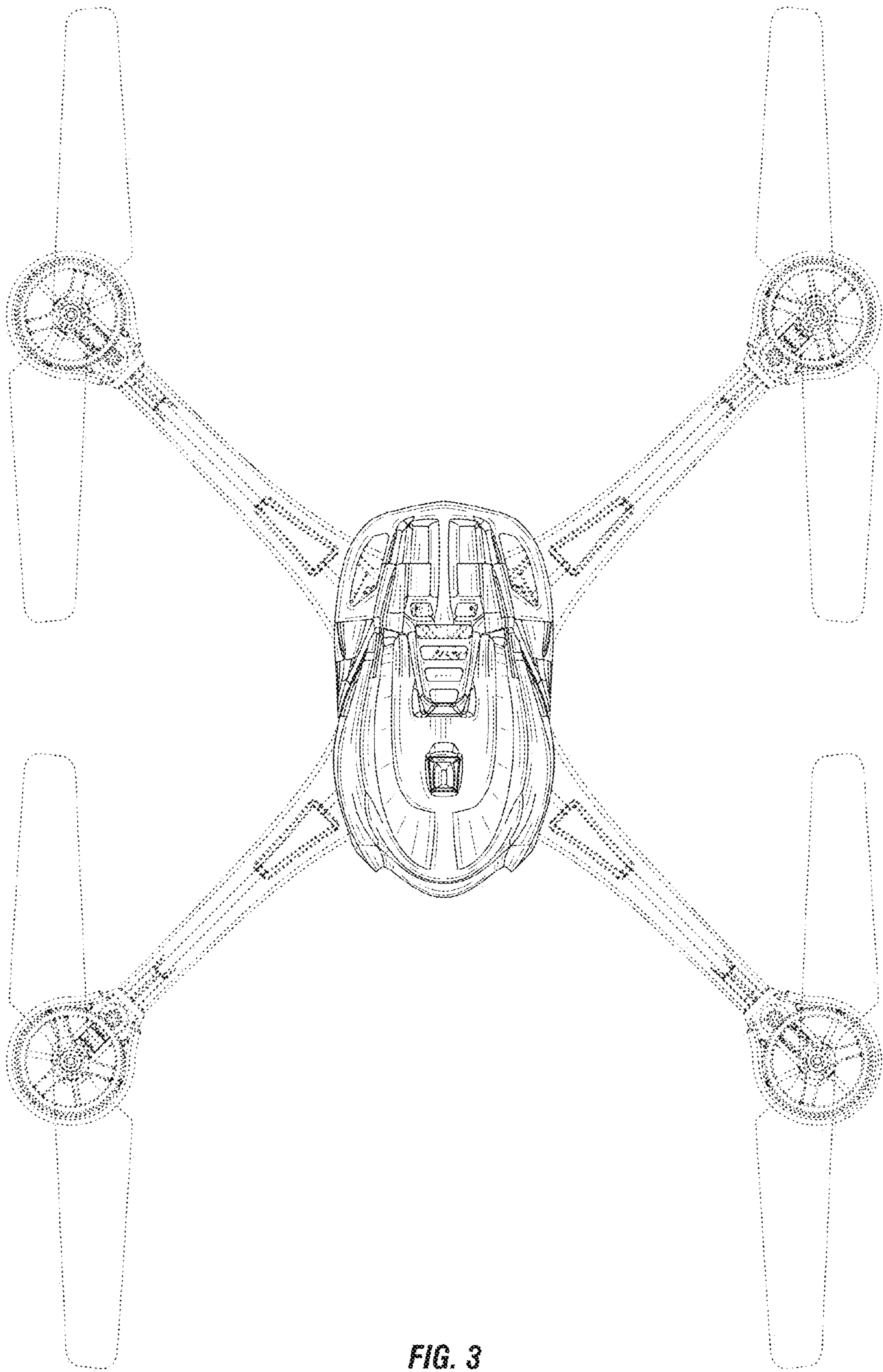


FIG. 3

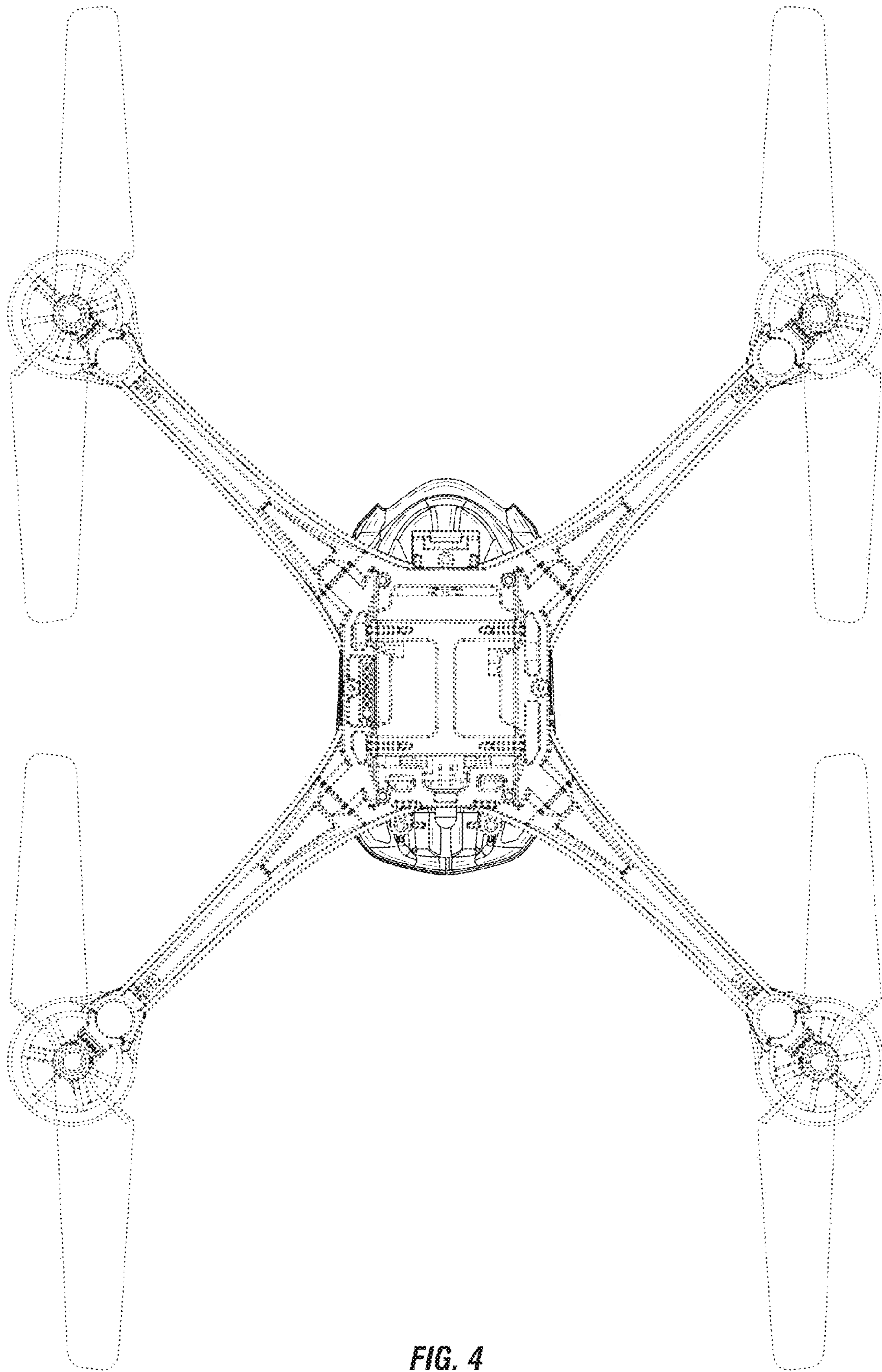


FIG. 4

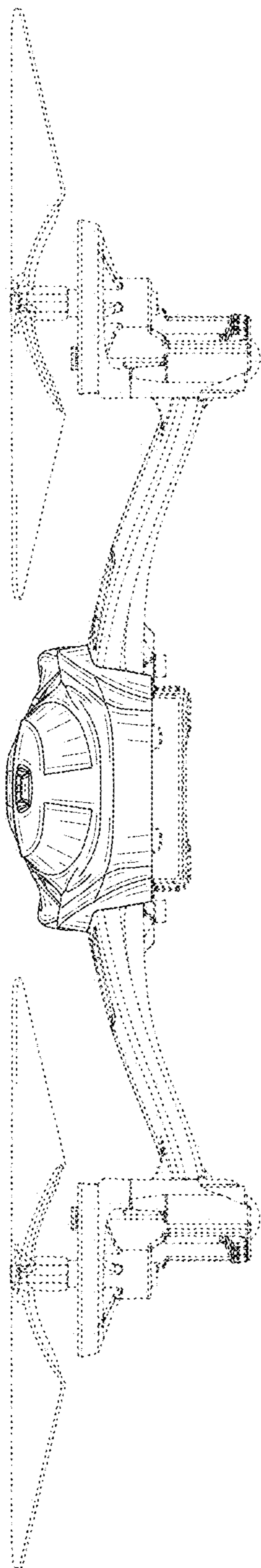


FIG. 5

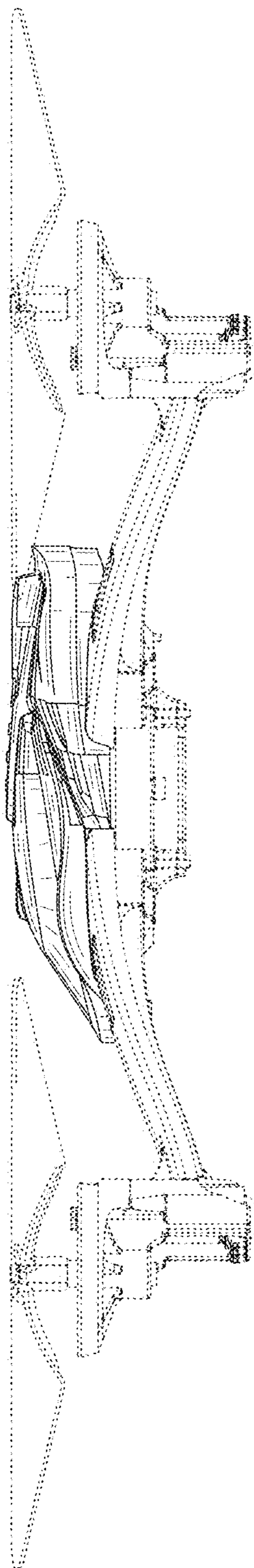


FIG. 6

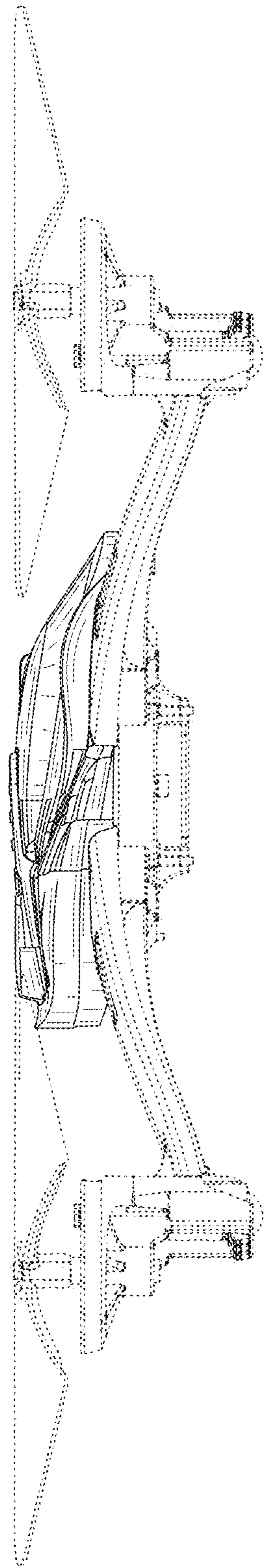


FIG. 7

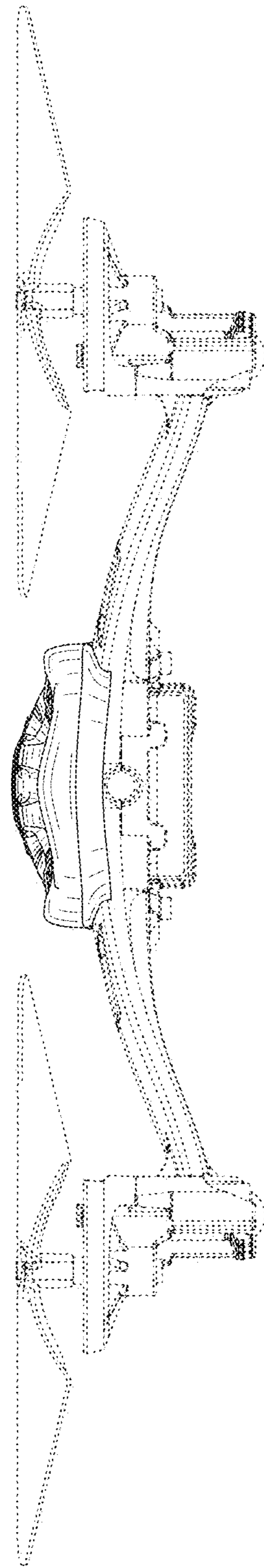


FIG. 8

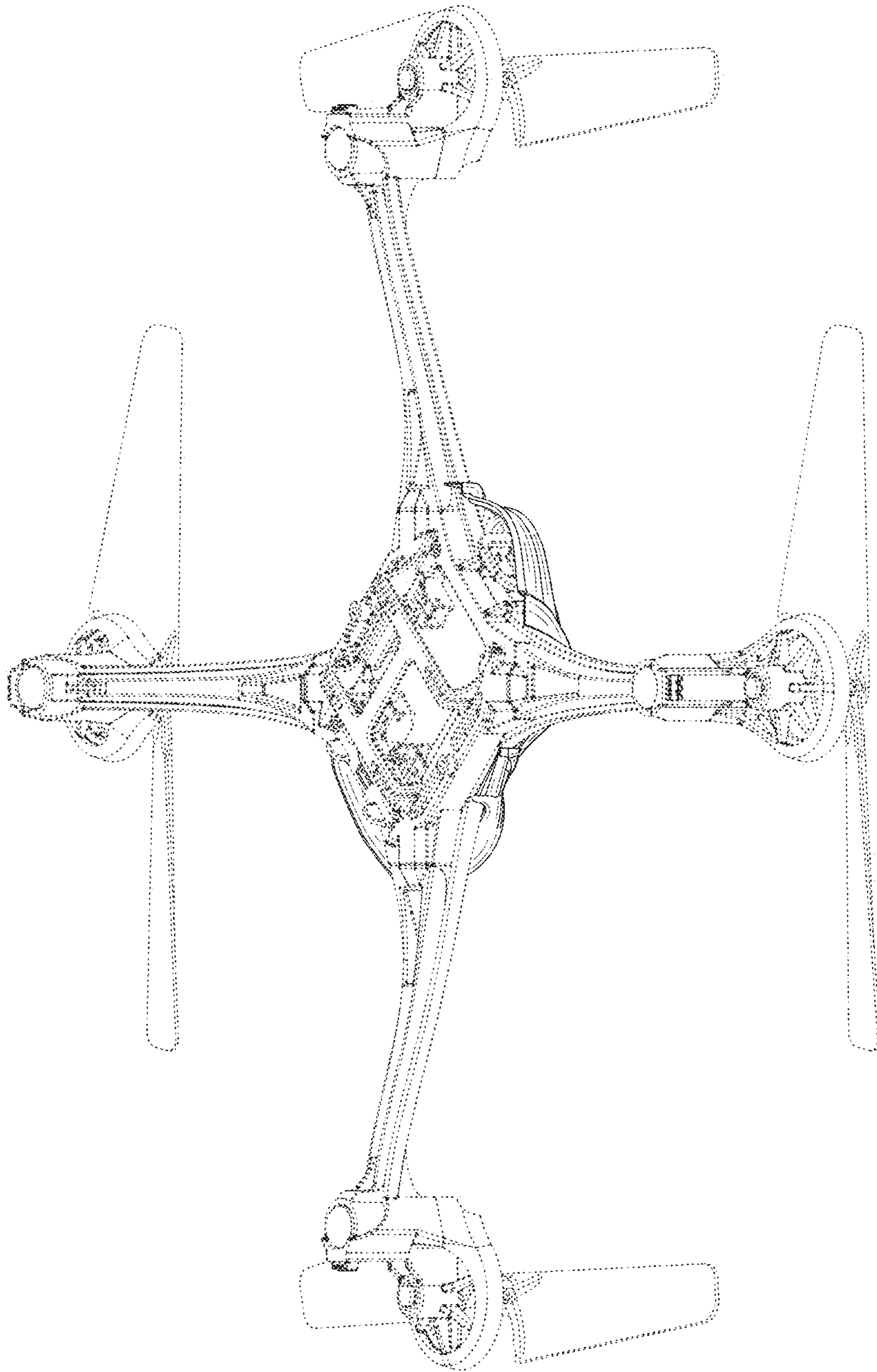


FIG. 9

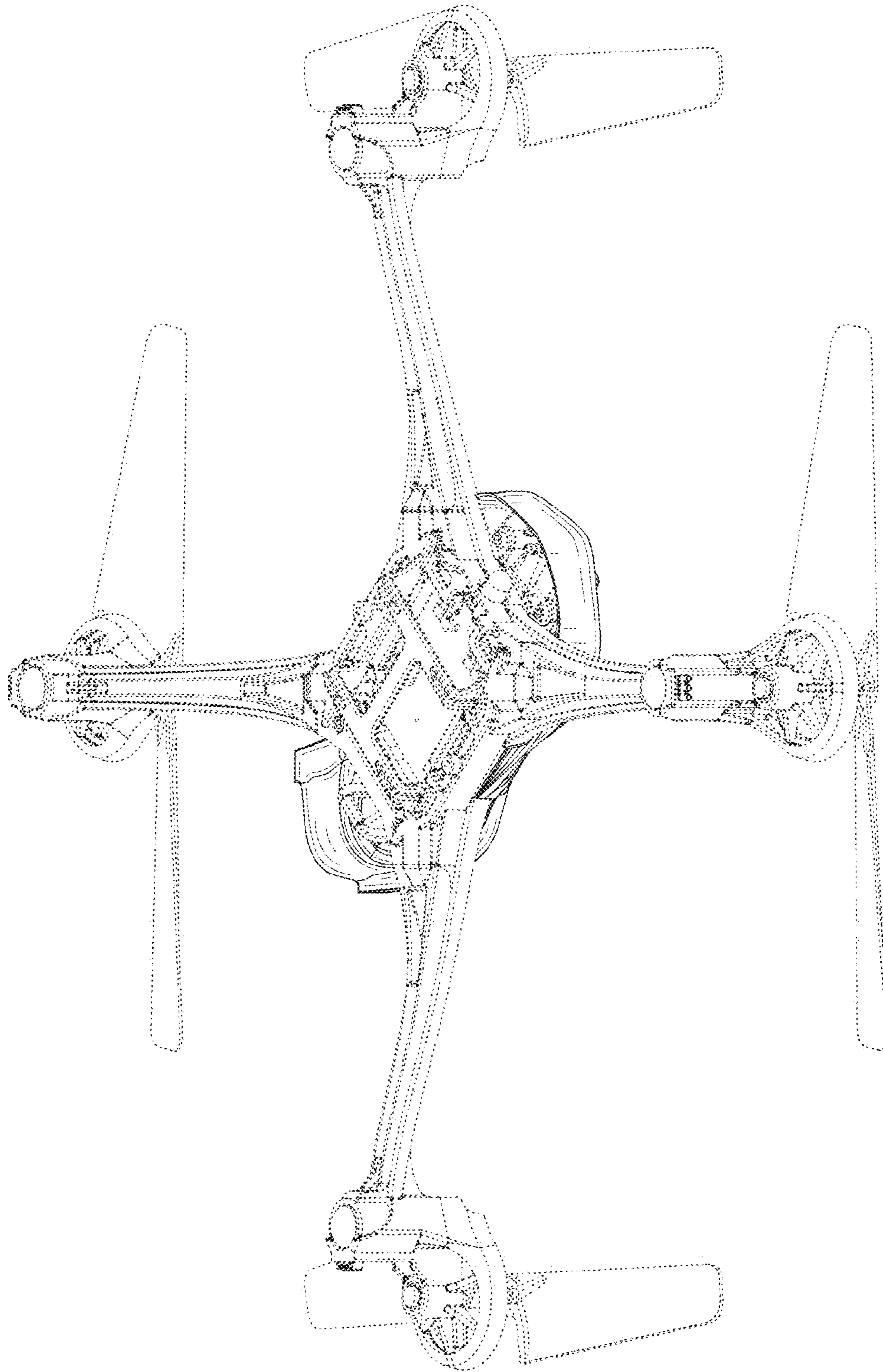


FIG. 10