



US00D710453S

(12) **United States Design Patent**  
**Barajas et al.**

(10) **Patent No.:** **US D710,453 S**

(45) **Date of Patent:** **\*\* Aug. 5, 2014**

(54) **QUADROTOR MODEL HELICOPTER AIRFRAME**

(71) Applicant: **Traxxas LP**, Plano, TX (US)

(72) Inventors: **Jaime Felix Barajas**, McKinney, TX (US); **Kent Poteet**, Lucas, TX (US); **Casey Christen Jens Christensen**, McKinney, TX (US); **Otto Karl Allmendinger**, Rowlett, TX (US); **Richard Douglas Hohnholt**, Coppell, TX (US)

(73) Assignee: **Traxxas LP**, McKinney, TX (US)

(\*\*) Term: **14 Years**

(21) Appl. No.: **29/464,412**

(22) Filed: **Aug. 15, 2013**

(51) **LOC (10) Cl.** ..... **21-01**

(52) **U.S. Cl.**  
USPC ..... **D21/442**; D21/450; D12/16.1; D12/326; D12/328

(58) **Field of Classification Search**

CPC ..... A63H 27/02; A63H 27/04; A63H 27/12; A63H 27/127; A63H 27/133; B64C 2201/024; B64C 2201/108; B64C 2201/165; B64C 2203/00; B64C 39/024  
USPC ..... D12/16.1, 319, 320, 325, 326, 327, 328, D12/329, 330, 345; D21/430, 436, 437, D21/441, 442, 443, 444, 447, 450, 451, D21/453; 446/36, 37, 46-48, 230, 231, 232, 446/233, 236; 244/2, 5, 6, 7 A, 7 R, 12.1, 244/12.2, 17.11, 17.13, 17.17, 17.23, 17.25, 244/17.27, 23 C, 23 R, 53 R, 63, 244/158.1-158.3; 280/1.12; 416/130; 180/118; 89/1.13

See application file for complete search history.

(56) **References Cited**

U.S. PATENT DOCUMENTS

1,749,471	A *	3/1930	De Bothezat	416/130
3,053,480	A *	9/1962	Vanderlip	244/17.13
3,253,806	A *	5/1966	Eickmann	244/17.23
3,345,016	A *	10/1967	Eickmann	244/17.23
3,768,757	A *	10/1973	Eickmann	244/17.23
5,082,079	A *	1/1992	Lissaman et al.	180/118
D453,317	S	2/2002	DeTore et al.	

(Continued)

OTHER PUBLICATIONS

MATTYP2013; "Phantom/Hero Black for sale" RC Groups bulletin board post; Jan. 13, 2013; <http://www.rcgroups.com/forums/showpost.php?p=23798876&postcount=1245>.  
Elintocable; "Traxxas QR-1 Quad Rotor"; RC Groups bulletin board post; Nov. 22, 2012; <http://www.rcgroups.com/forums/showthread.php?t=1775303&highlight=qr+1#post23336888>.

(Continued)

*Primary Examiner* — Martie K Holtje

(74) *Attorney, Agent, or Firm* — Carr LLP

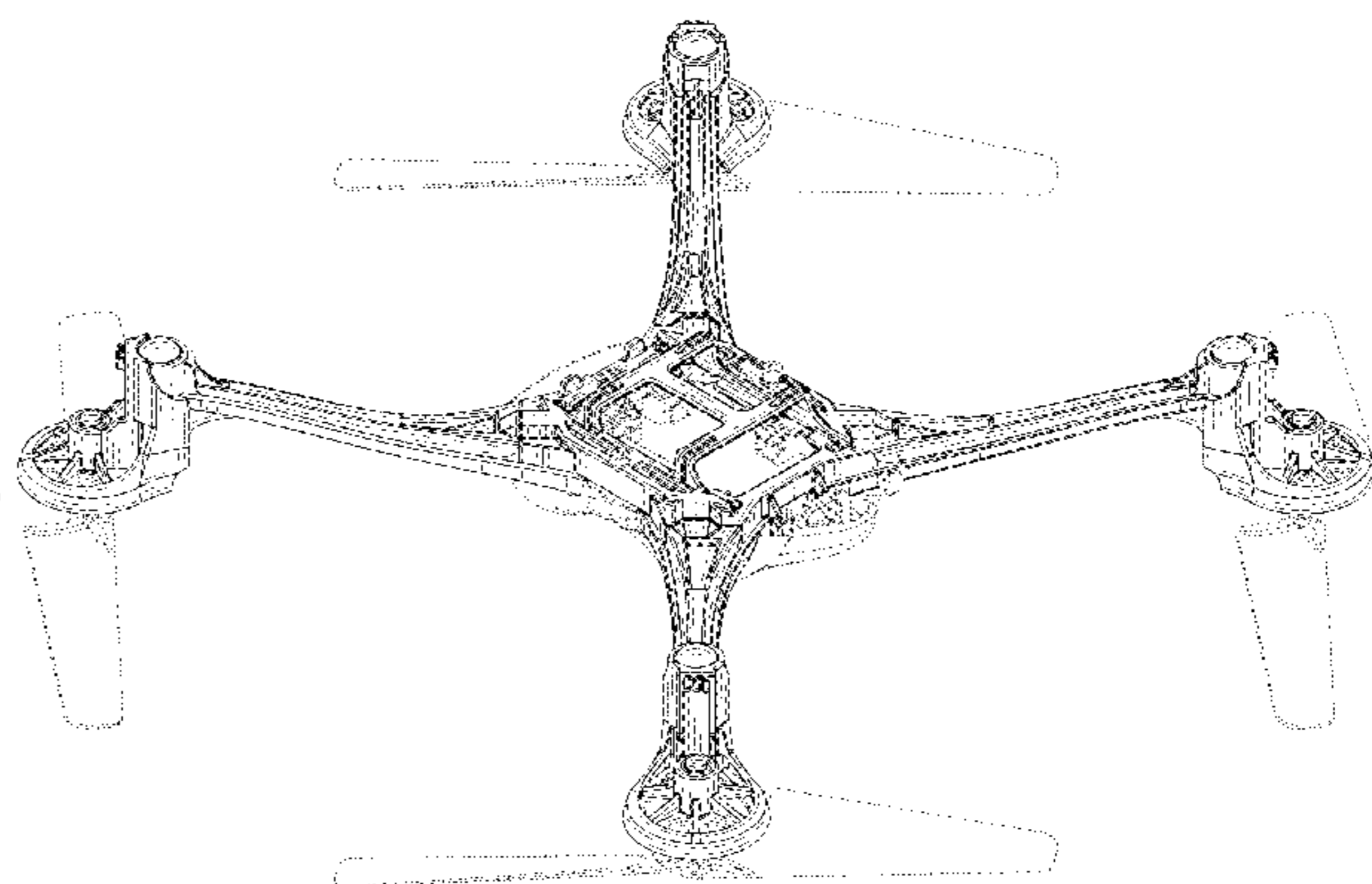
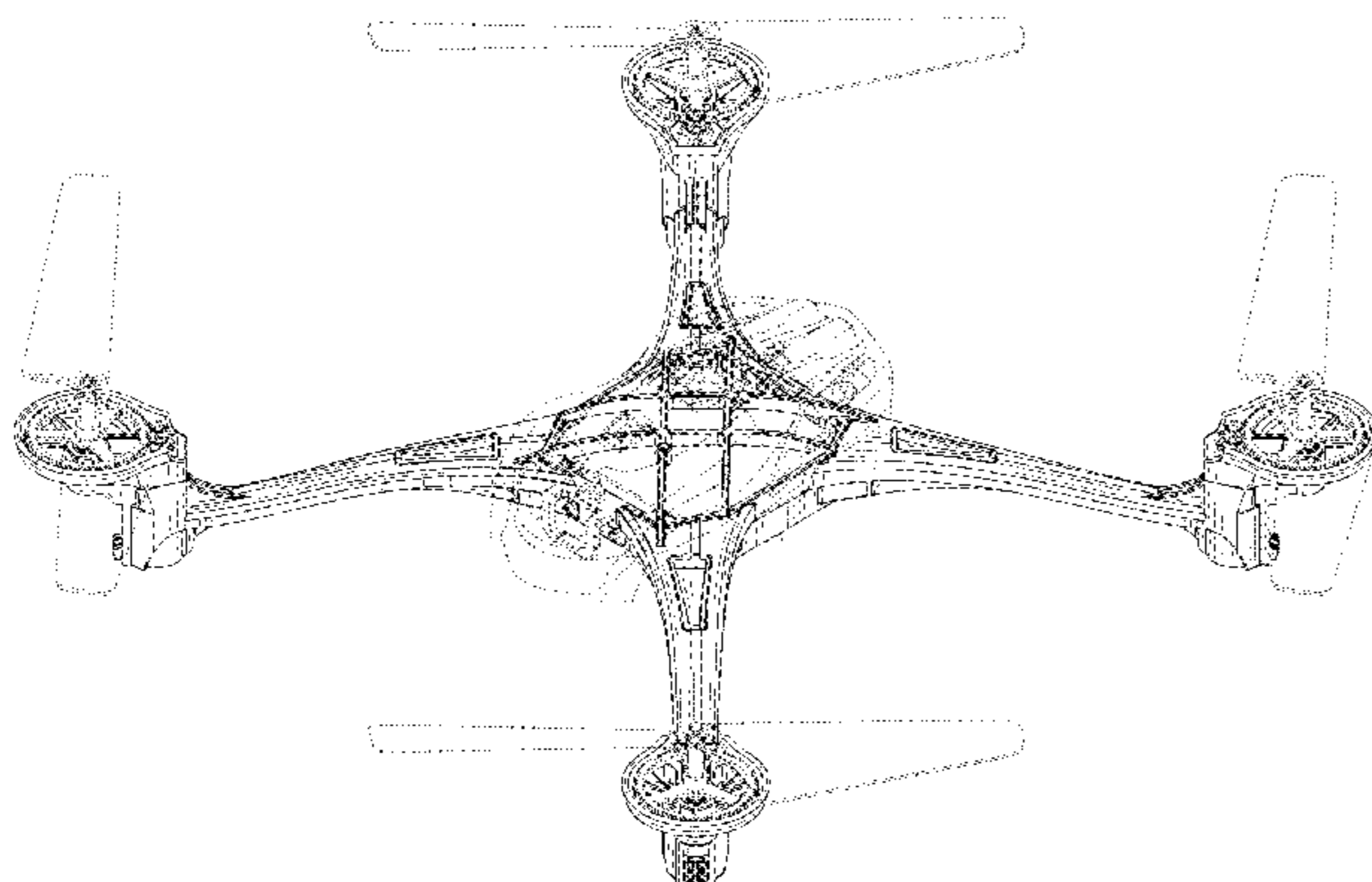
(57) **CLAIM**

We claim the ornamental design for a quadrotor model helicopter airframe, as shown and described.

**DESCRIPTION**

FIG. 1 is a top, right front perspective view of a quadrotor model helicopter airframe showing our new design; FIG. 2 is a top, left rear perspective view thereof; FIG. 3 is a top plan view thereof; FIG. 4 is a bottom plan view thereof; FIG. 5 is a front elevational view thereof; FIG. 6 is a right side elevational view thereof; FIG. 7 is a left side elevational view thereof; FIG. 8 is a rear elevational view thereof; FIG. 9 is bottom, right rear perspective view thereof; and, FIG. 10 is bottom left front perspective view thereof. The structural elements depicted by broken lines have been shown for the purpose of illustrating portions of the quadrotor model helicopter airframe that form no part of the claimed design.

**1 Claim, 8 Drawing Sheets**



(56)

**References Cited**

## U.S. PATENT DOCUMENTS

D458,892 S 6/2002 DeTore et al.  
 D465,196 S \* 11/2002 Dammar ..... D12/328  
 6,626,078 B2 \* 9/2003 Thornton ..... 89/1.13  
 D628,658 S \* 12/2010 Wurm ..... D21/442  
 D648,808 S \* 11/2011 Seydoux et al. .... D21/441  
 D659,771 S \* 5/2012 Seydoux et al. .... D21/441  
 D691,514 S \* 10/2013 Wang et al. .... D12/16.1  
 2007/0105474 A1 \* 5/2007 Gotou et al. .... 446/37  
 2008/0048065 A1 \* 2/2008 Kuntz ..... 244/17.23  
 2009/0283629 A1 \* 11/2009 Kroetsch et al. .... 244/17.23  
 2010/0243794 A1 \* 9/2010 Jermyn ..... 244/17.23  
 2011/0017865 A1 1/2011 Achtelik et al.  
 2011/0288696 A1 11/2011 Lefebure  
 2012/0078451 A1 \* 3/2012 Ohtomo et al. .... 701/15  
 2012/0138732 A1 \* 6/2012 Olm et al. .... 244/17.23  
 2013/0092799 A1 4/2013 Tian et al.  
 2014/0032034 A1 1/2014 Raptopoulos et al.  
 2014/0099853 A1 4/2014 Condon et al.

## OTHER PUBLICATIONS

Blade mQX, Ultra Micro Quad-Copter; Jun. 15, 2012.  
 Blade Nano QX 18 Gram Quad-Copter; Jul. 3, 2013.  
 Hobbico; "Heli Max1SQ Ready-to-Fly Quadcopter", fact sheet; 2012; <http://downloads.hobbico.com/factsheets/hmx/hmxe0834-fact-sheet.pdf>.  
 Syma X1 quadcopter; photographed Apr. 22, 2013.  
 Dualsky, Hornet 460, 9<sup>th</sup> Shanghai International Model Exhibition 2012; Aug. 28, 2013.  
 Ariete; "Walkera Hoten X" RC Groups bulletin board post; Jul. 26, 2012; <http://www.rcgroups.com/forums/showpost.php?p=22269995&postcount=1>.  
 Walkera; "Ladybird" quadcopter; May 25, 2012.  
 Walkera; "Scorpion" quadcopter; Jul. 20, 2012.  
 Walkera; "MX400 UFO" quadcopter; May 23, 2012.  
 Parrot AR.Drone2.0; photographed May 26, 2012.  
 Bangkomit; "Hubsan X4H107L"; RC Groups bulletin board post; Mar. 1, 2013; <http://www.rcgroups.com/forums/showthread.php?t=1842561#post24290286>.

\* cited by examiner

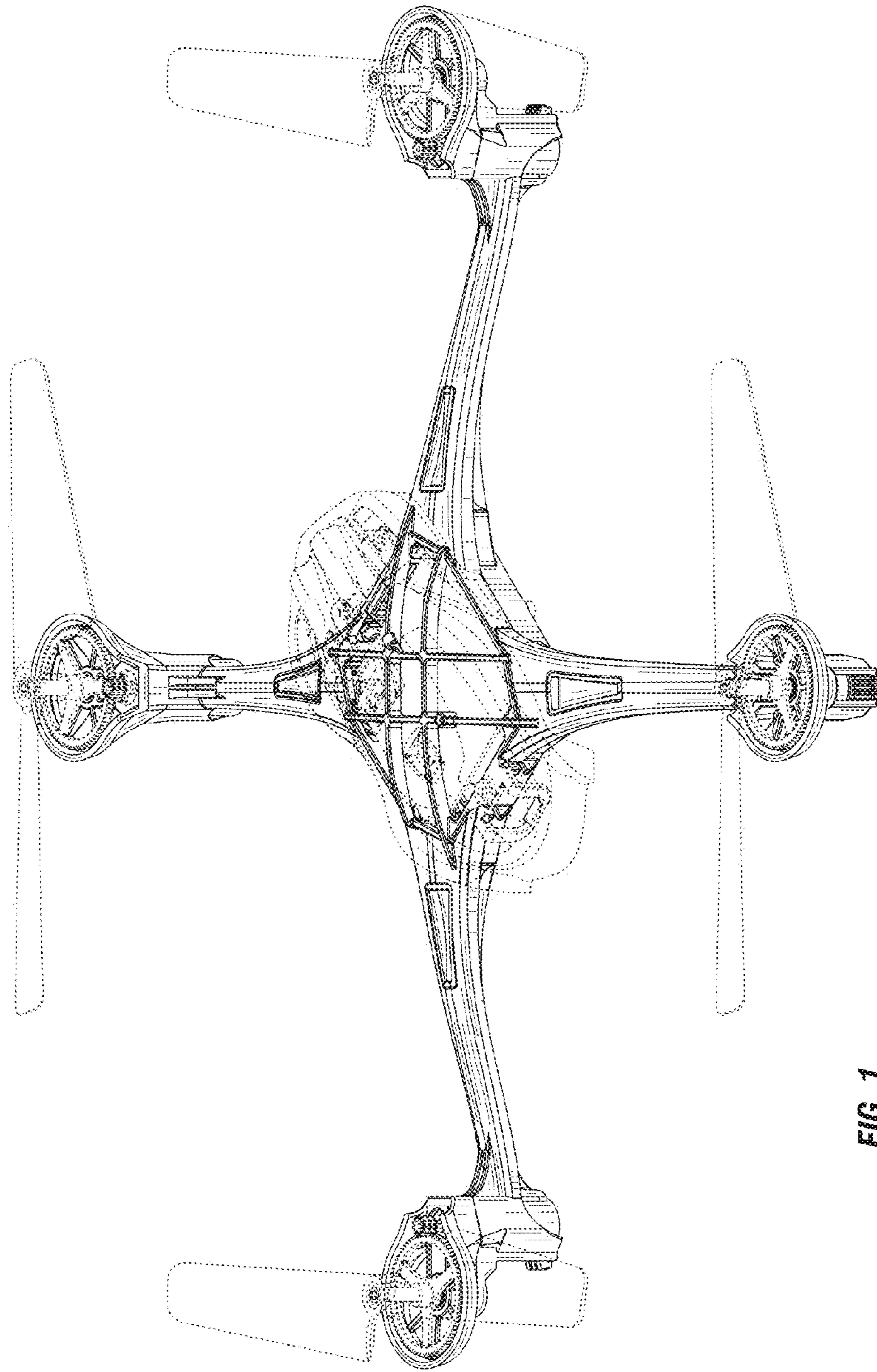


FIG. 1

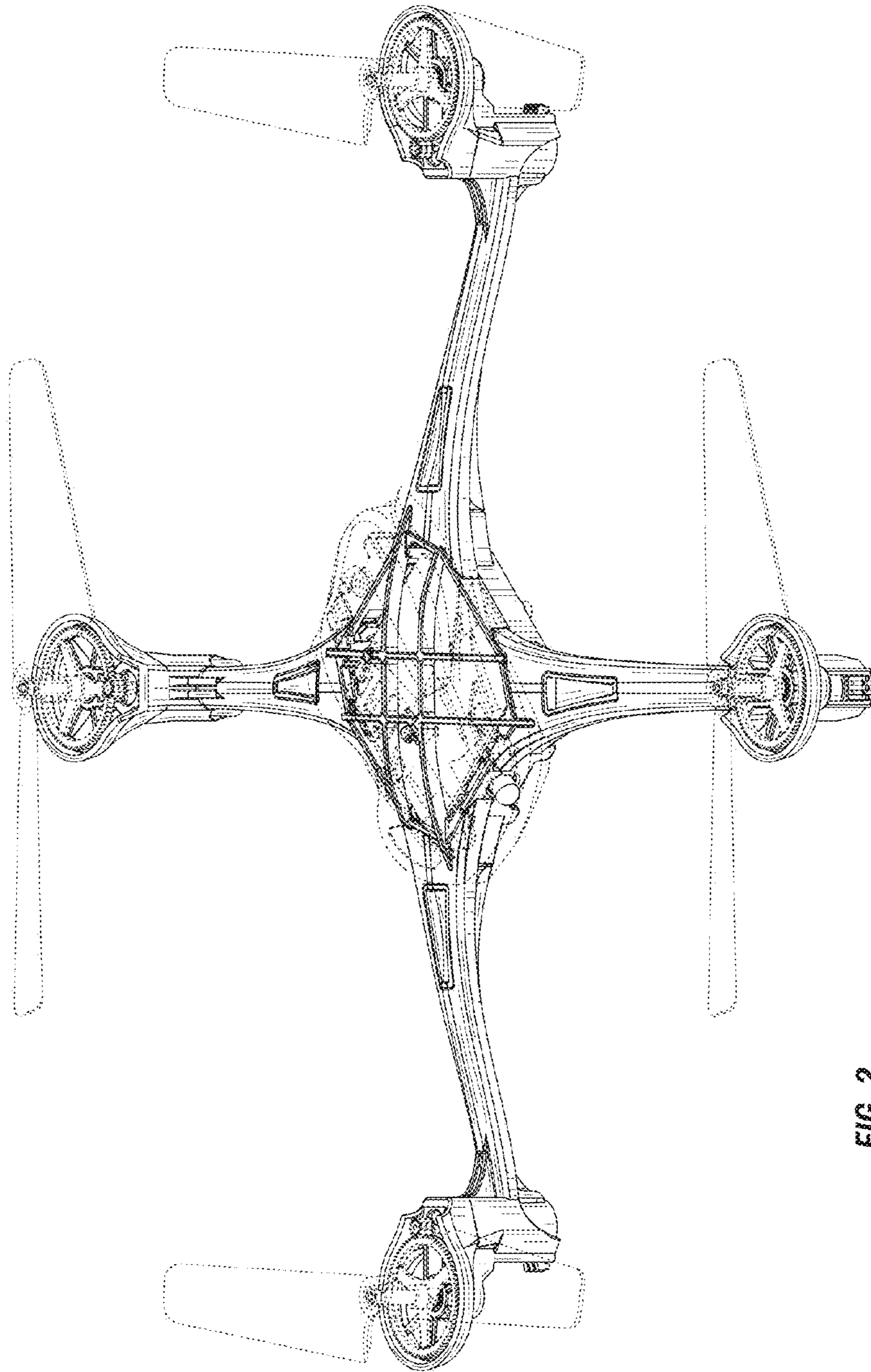


FIG. 2

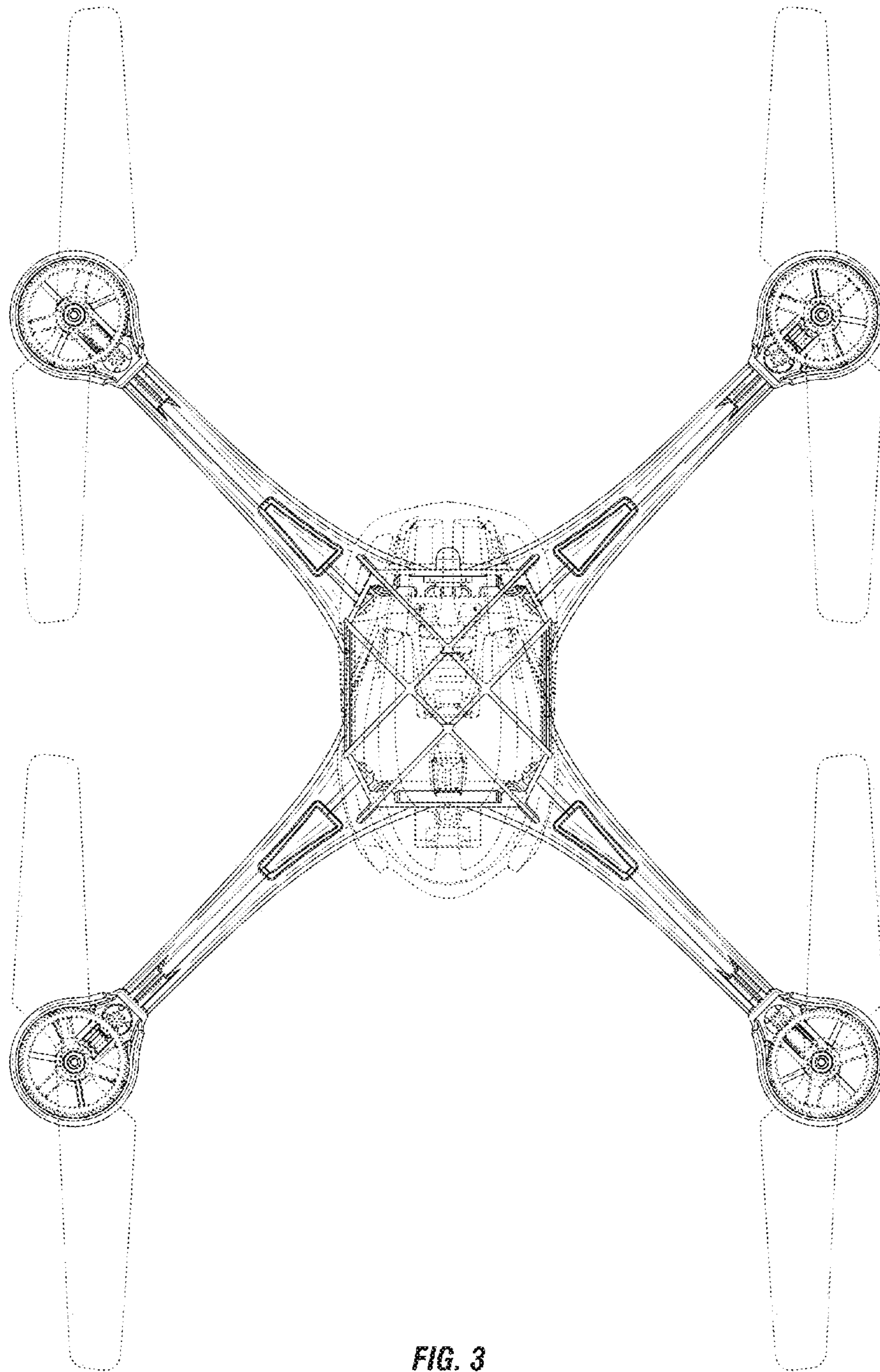
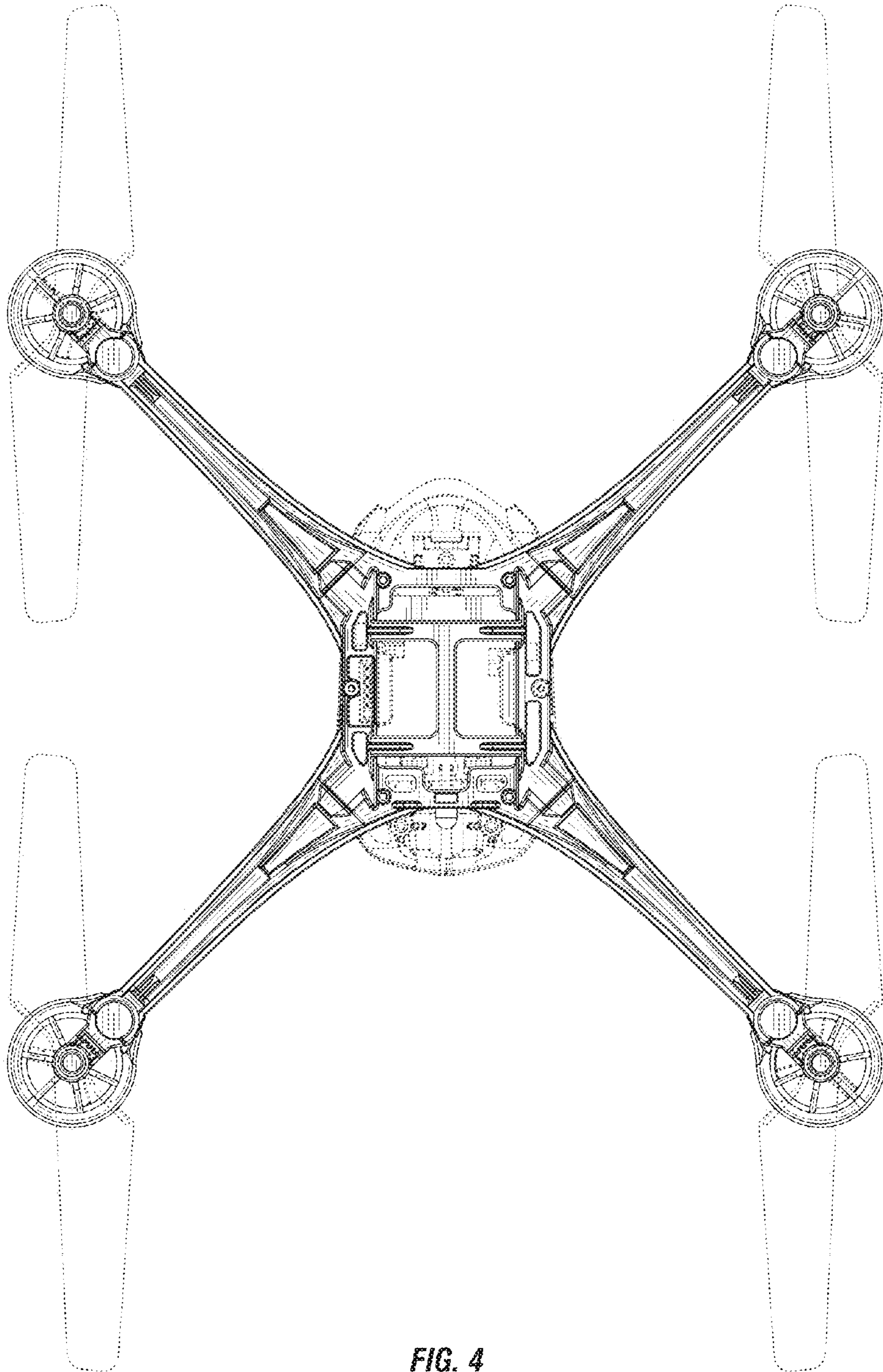


FIG. 3



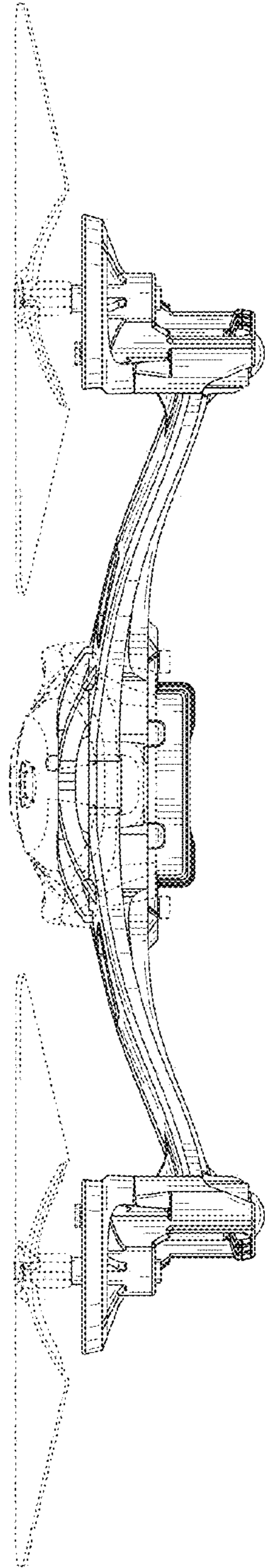


FIG. 5

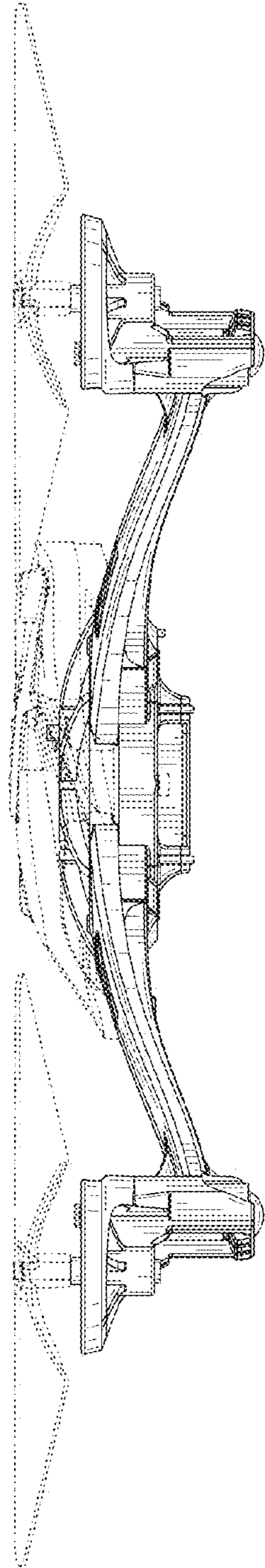


FIG. 6

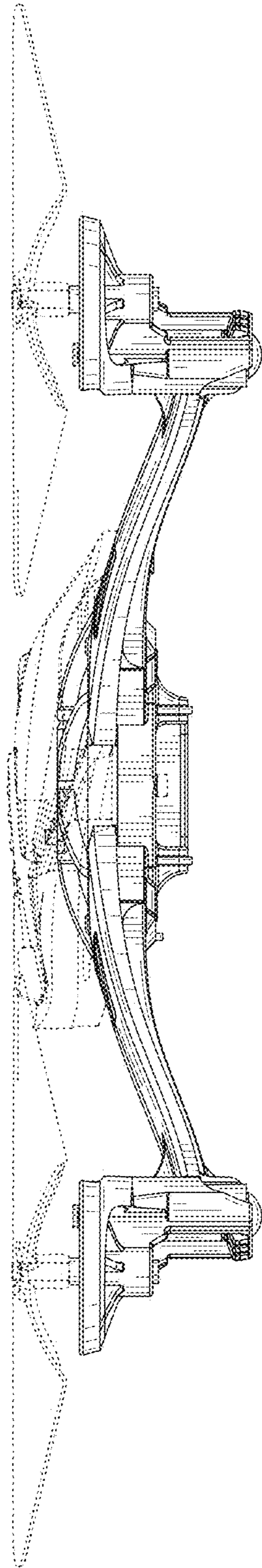


FIG. 7

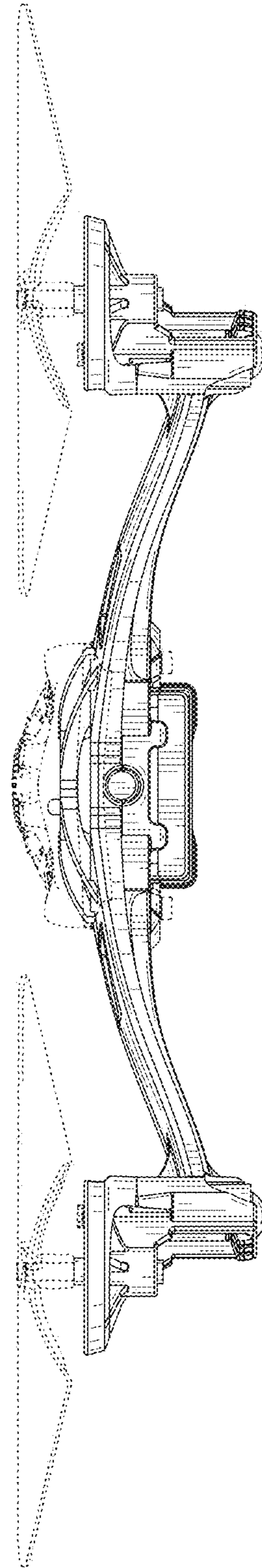


FIG. 8



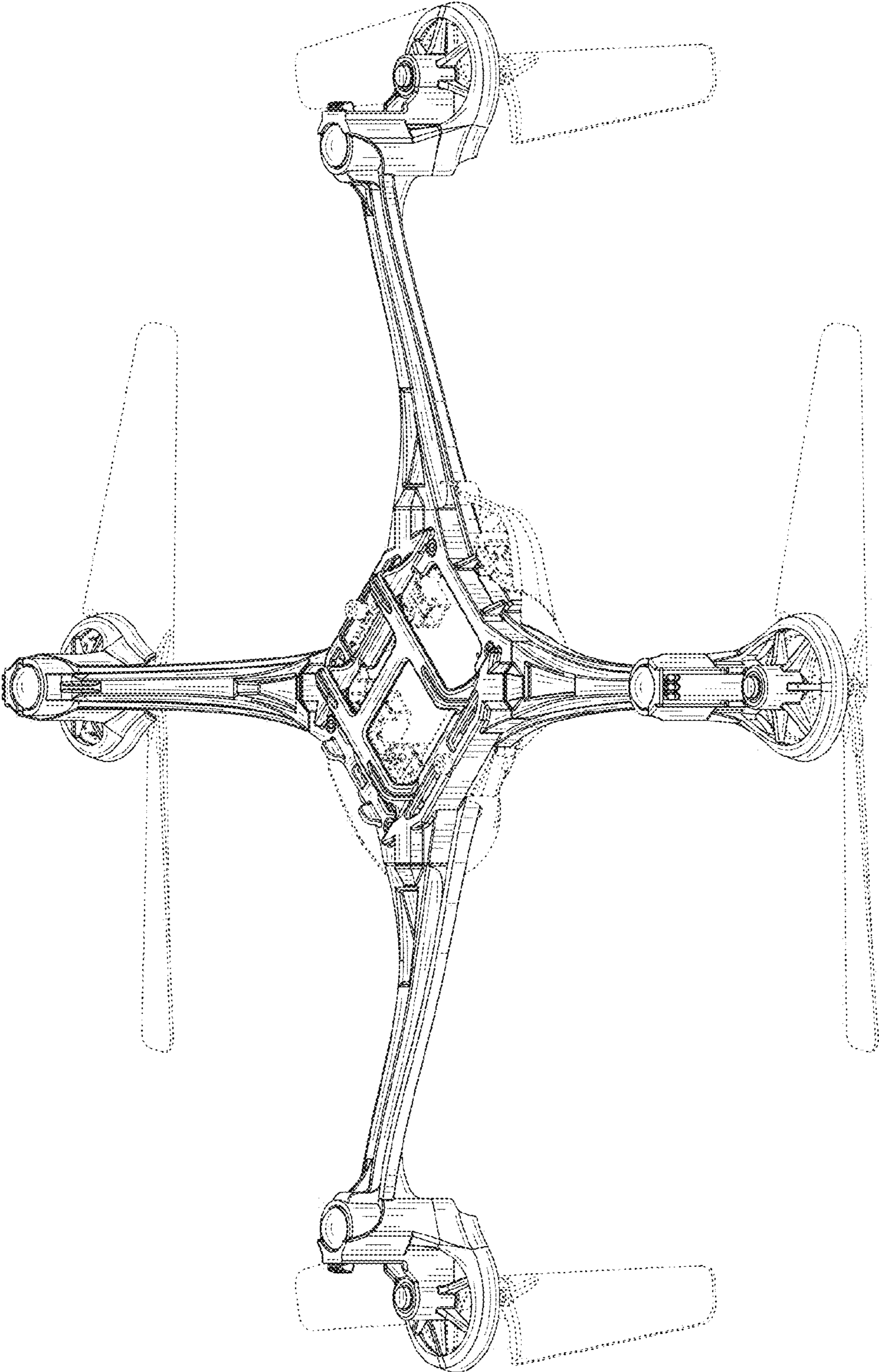


FIG. 9

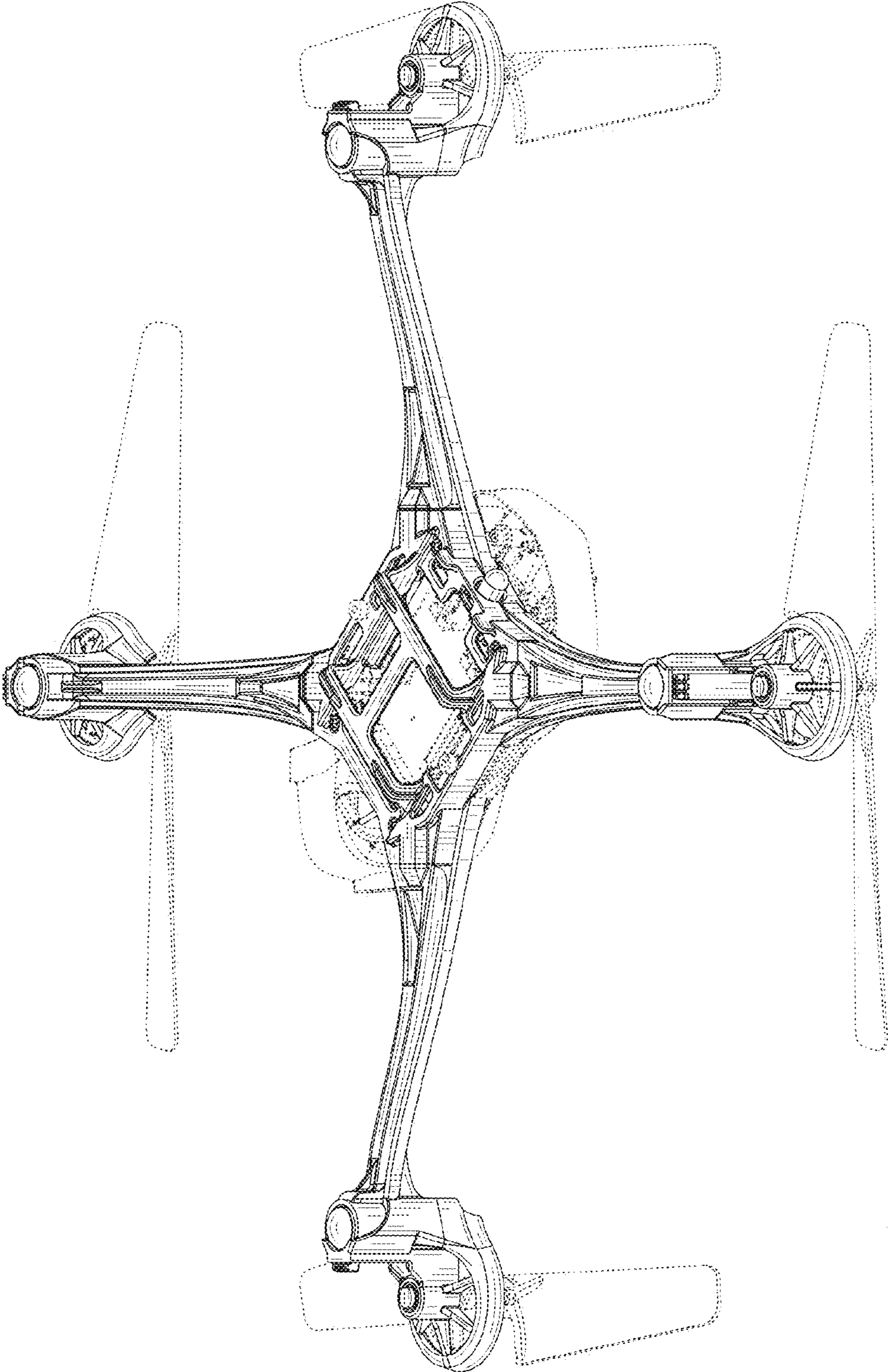


FIG. 10