



US00D710451S

(12) **United States Design Patent**
Reuter

(10) **Patent No.:** **US D710,451 S**

(45) **Date of Patent:** **** Aug. 5, 2014**

(54) **GAME PIECE**

(71) Applicant: **Douglas Reuter**, Corinth, TX (US)

(72) Inventor: **Douglas Reuter**, Corinth, TX (US)

(**) Term: **14 Years**

(21) Appl. No.: **29/458,602**

(22) Filed: **Jun. 20, 2013**

(51) **LOC (10) Cl.** **21-01**

(52) **U.S. Cl.**

USPC **D21/386**

(58) **Field of Classification Search**

USPC D21/307-308, 334-368, 376-397;
273/236-287, 288-291, 450; 446/118;

361/774

See application file for complete search history.

(56) **References Cited**

U.S. PATENT DOCUMENTS

986,395	A *	3/1911	King	47/33
1,736,134	A *	11/1929	Rutherford	446/118
5,969,952	A *	10/1999	Hayashi et al.	361/774
6,164,654	A *	12/2000	Tricomi	273/450

* cited by examiner

Primary Examiner — George D Kirschbaum

(74) *Attorney, Agent, or Firm* — John Lindsay

(57) **CLAIM**

The ornamental design for a game piece, as shown and described.

DESCRIPTION

FIG. 1 is a front perspective view of an embodiment of a game piece according to the current invention;

FIG. 2 is a rear perspective view of the embodiment of FIG. 1;

FIG. 3 is a rear perspective view of an alternate embodiment of a game piece according to the current invention;

FIG. 4 is a top plan view of the embodiment of FIG. 1;

FIG. 5 is a left side view of the embodiment of FIG. 1;

FIG. 6 is a rear plan view of the embodiment of FIG. 1;

FIG. 7 is a right side view of the embodiment of FIG. 1;

FIG. 8 is a bottom plan view of the embodiment of FIG. 1;

FIG. 9 is a top plan view of the embodiment of FIG. 3;

FIG. 10 is a left side view of the embodiment of FIG. 3;

FIG. 11 is a rear plan view of the embodiment of FIG. 3;

FIG. 12 is a right side view of the embodiment of FIG. 3;

FIG. 13 is a bottom plan view of the embodiment of FIG. 3;

FIG. 14 is a side perspective view of yet another alternate embodiment of a game piece according to the current invention;

FIG. 15 is an alternate side perspective view of the embodiment of FIG. 14;

FIG. 16 is a top plan view of the embodiment of FIG. 14;

FIG. 17 is a left side view of the embodiment of FIG. 14;

FIG. 18 is a rear plan view of the embodiment of FIG. 14;

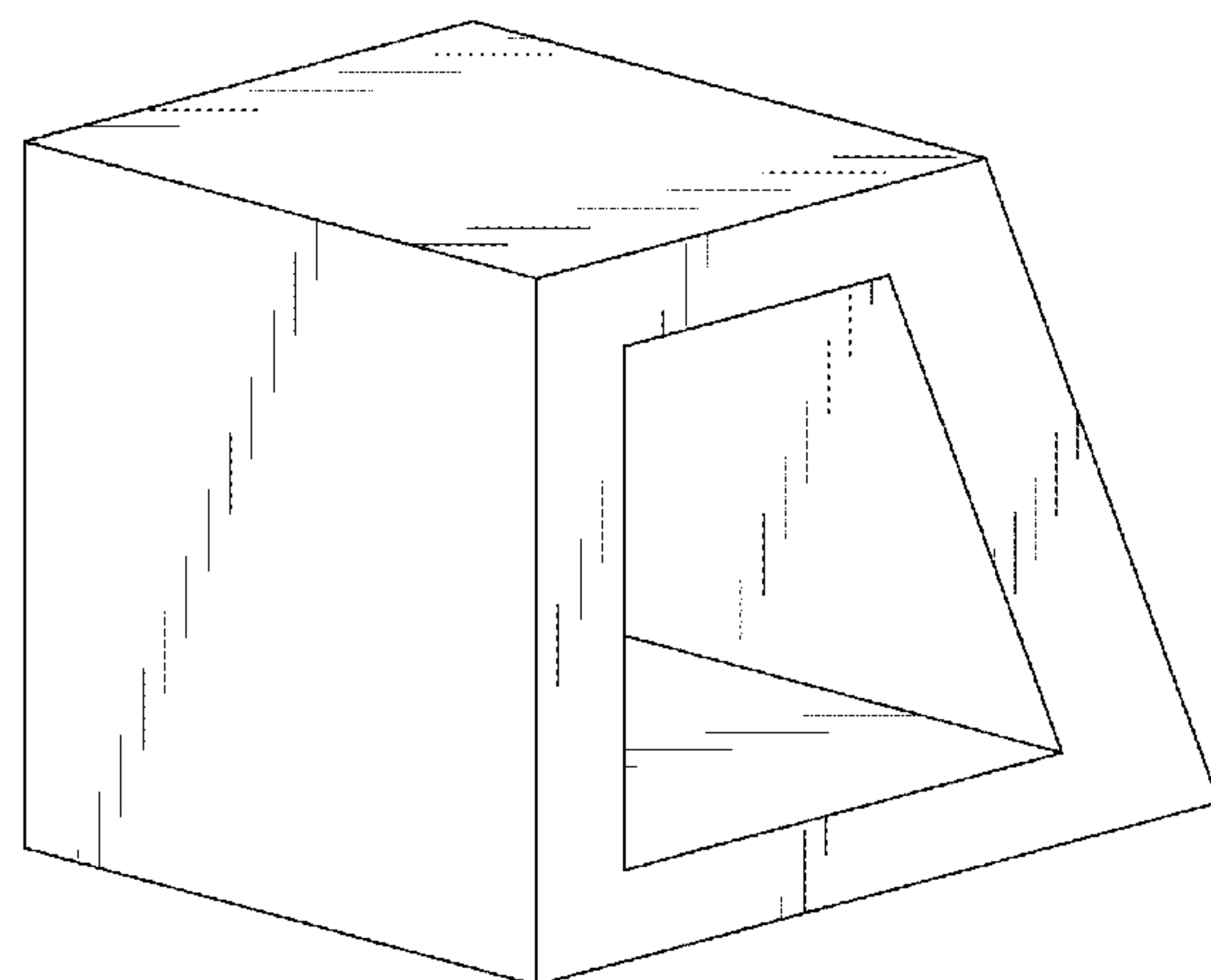
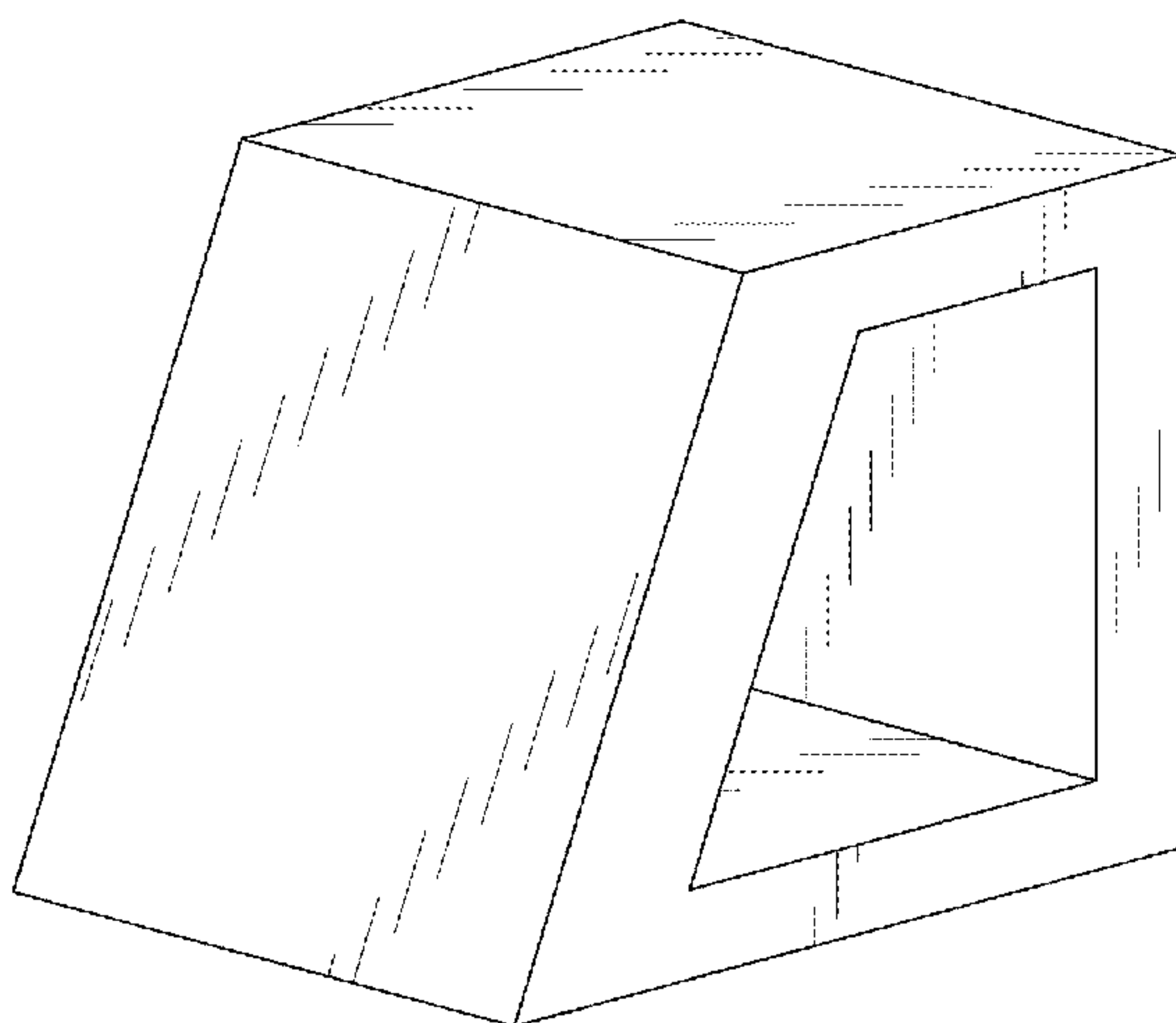
FIG. 19 is a right side view of the embodiment of FIG. 14;

and,

FIG. 20 is a bottom plan view of the embodiment of FIG. 14.

The broken line showing of edges and sides is included for the purpose of illustrating portions of the “article” and forms no part of the claimed design.

1 Claim, 8 Drawing Sheets



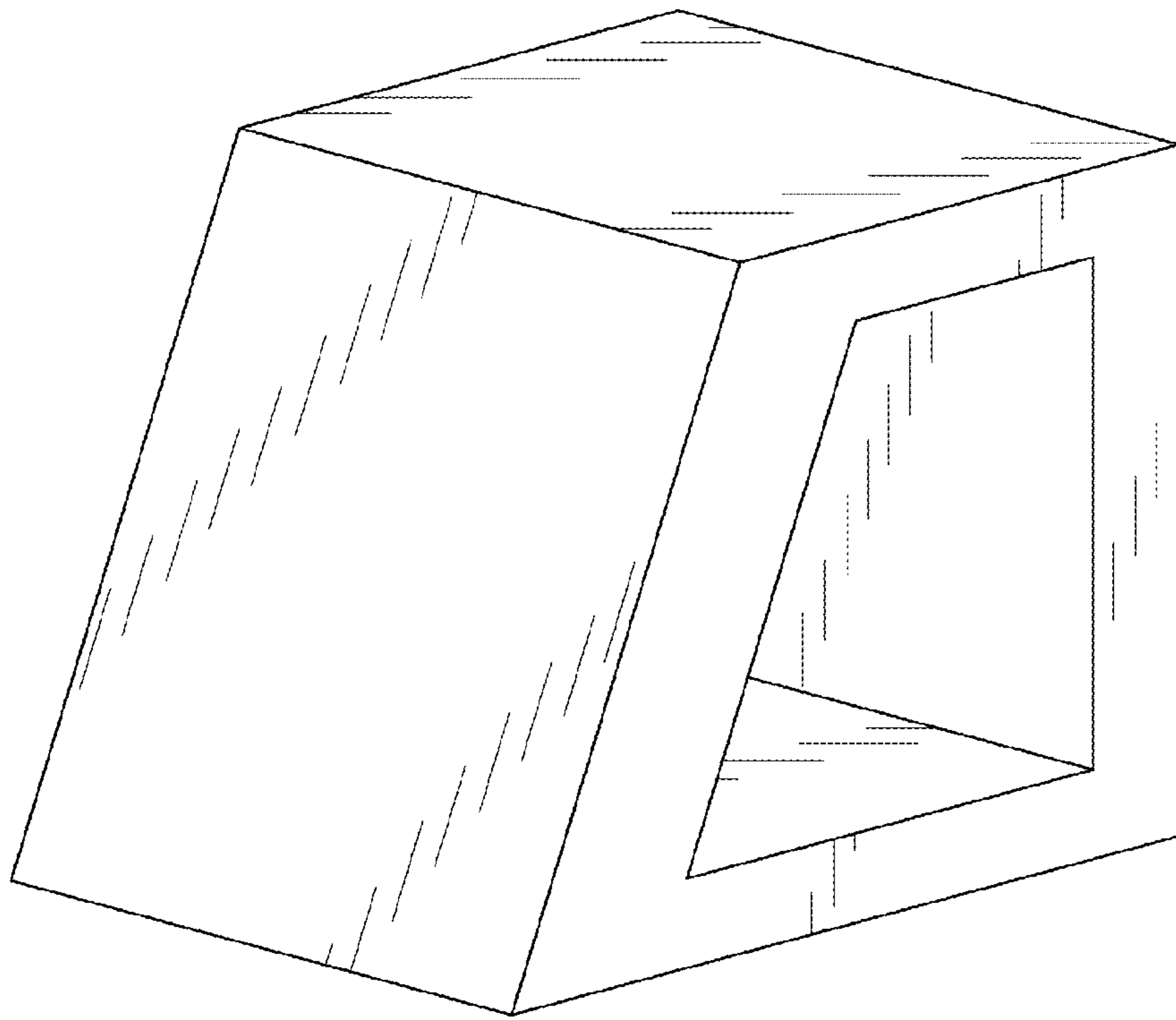


FIG. 1

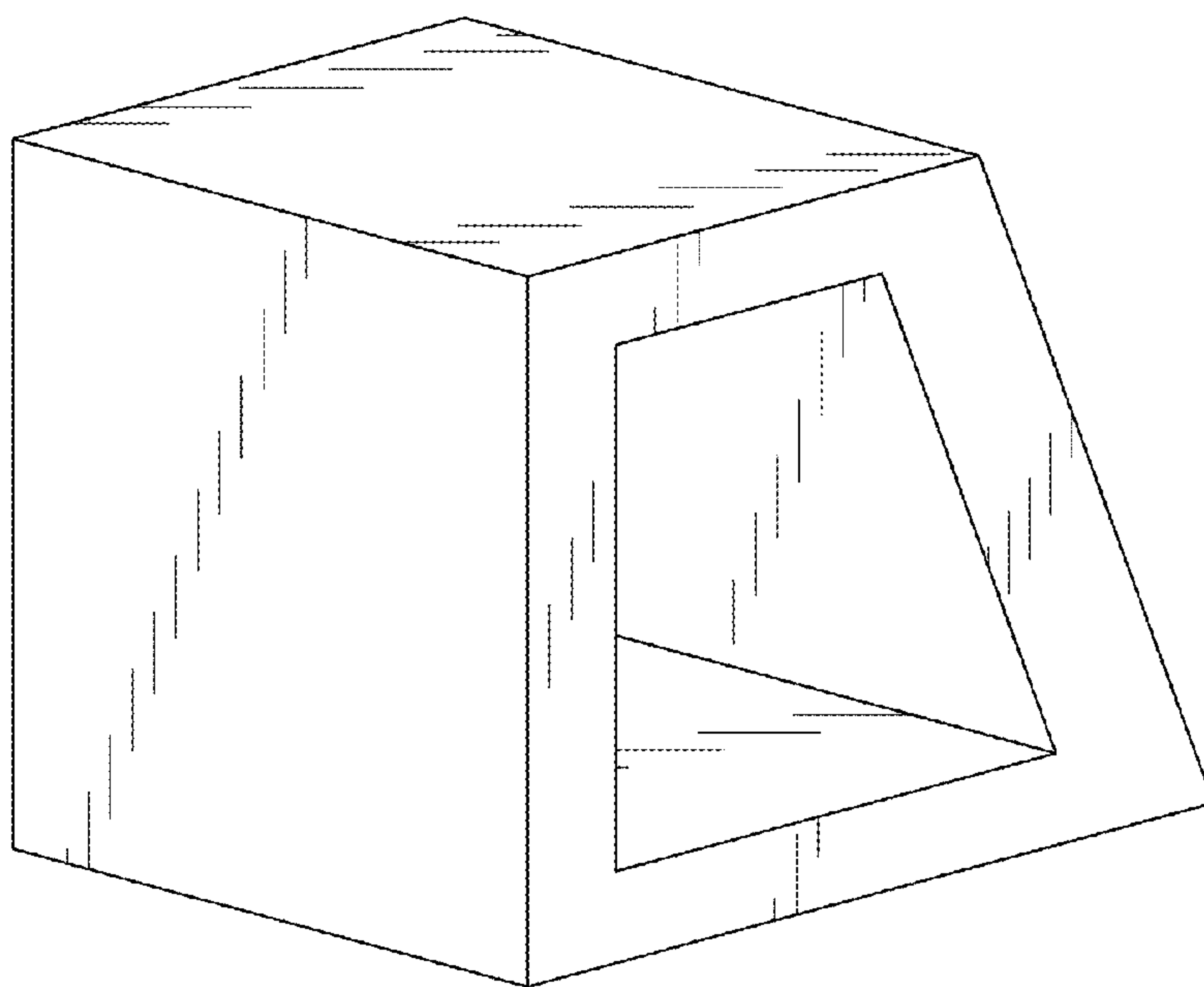


FIG. 2

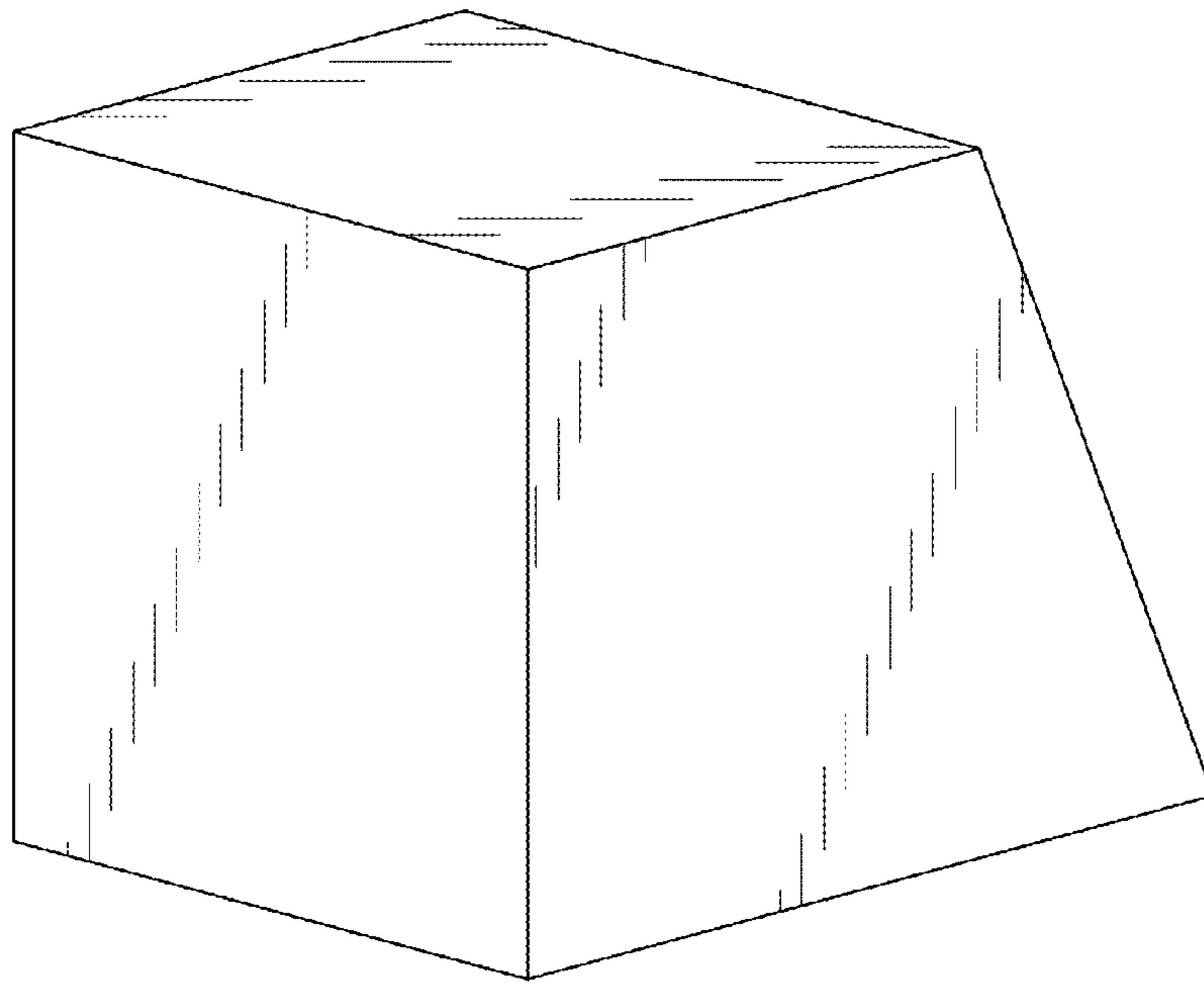


FIG. 3

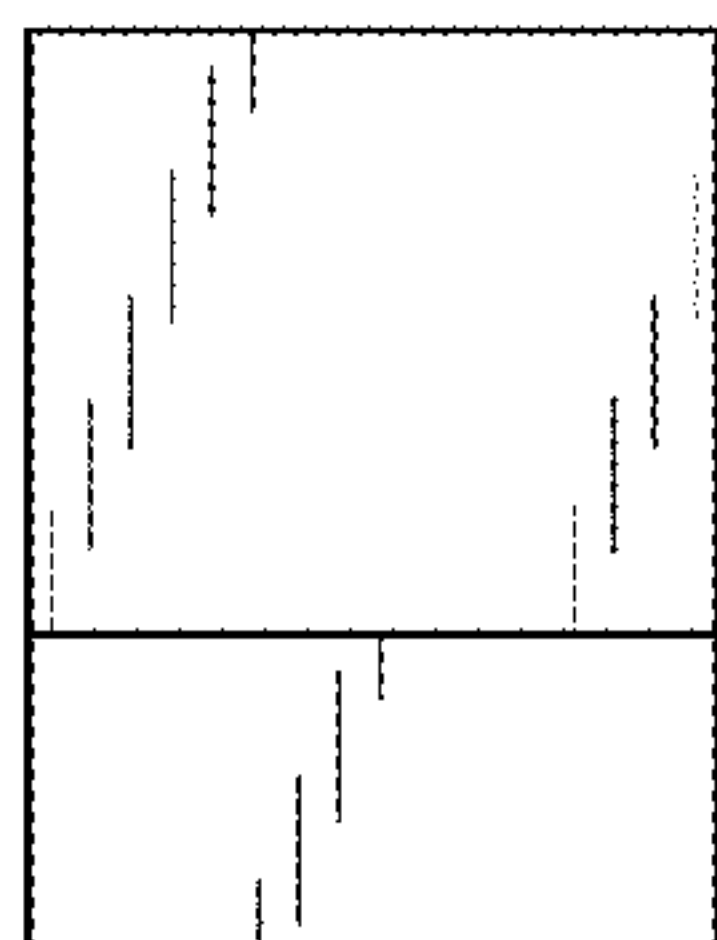


FIG. 4

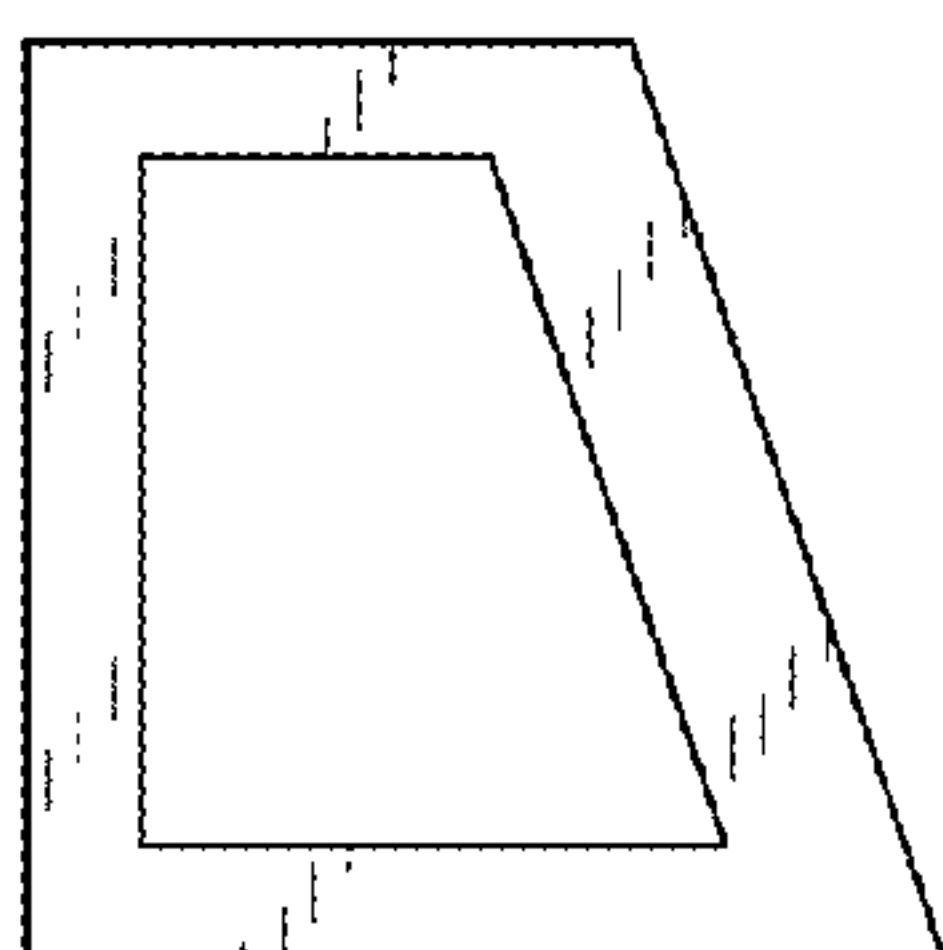


FIG. 5

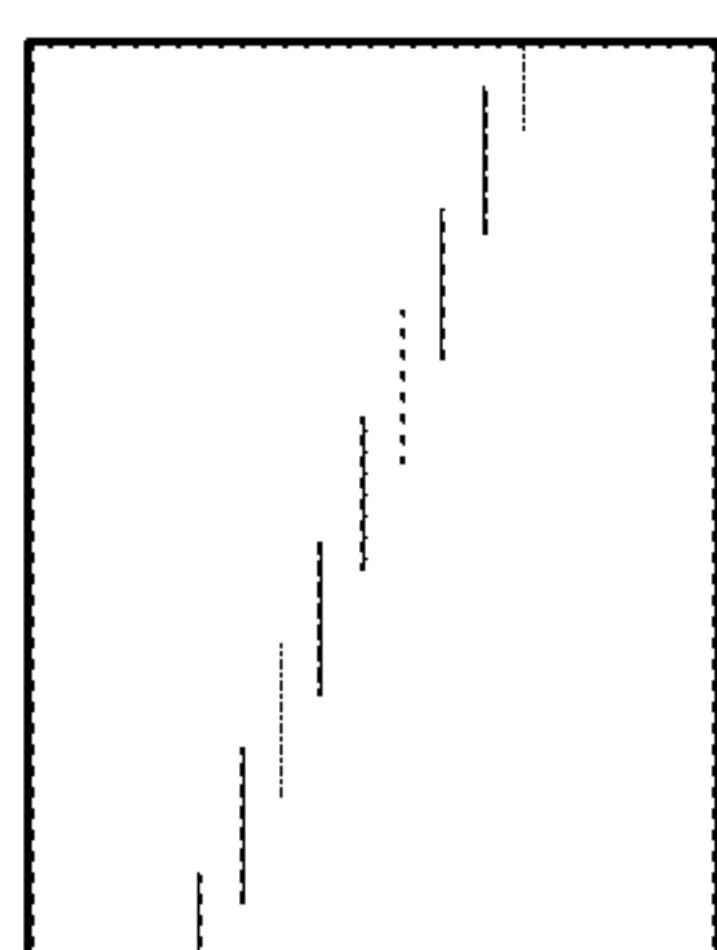


FIG. 6

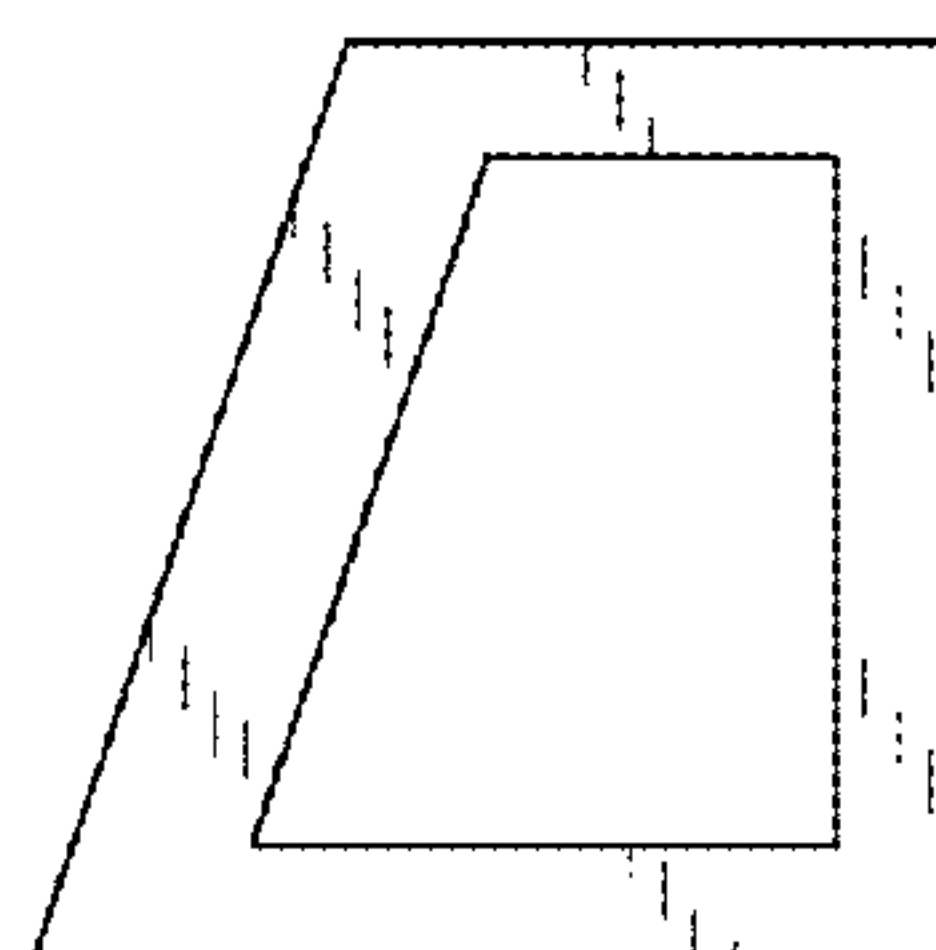


FIG. 7

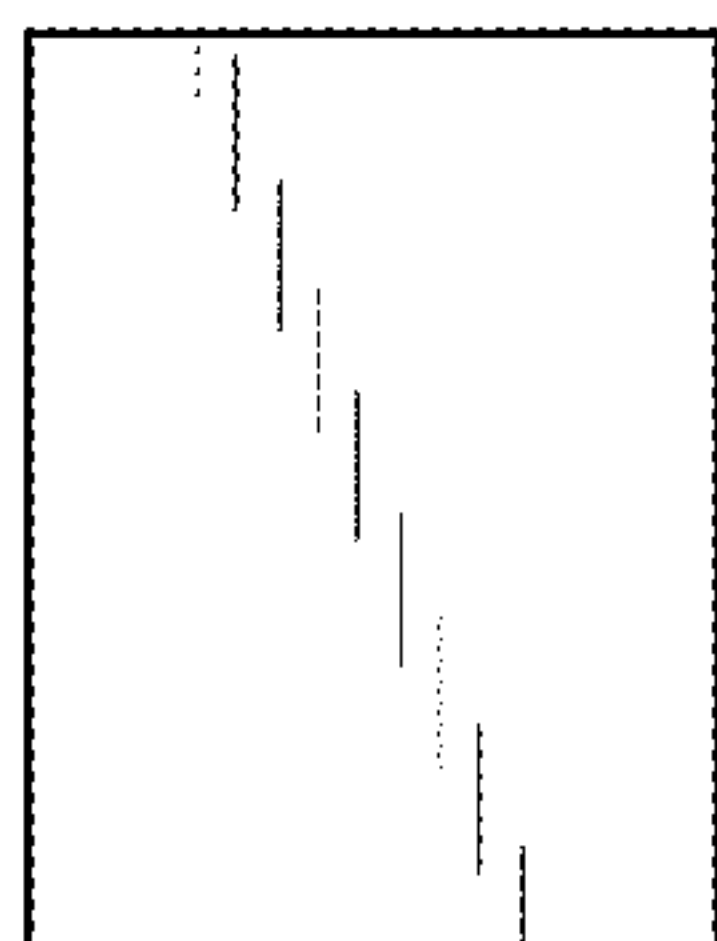


FIG. 8

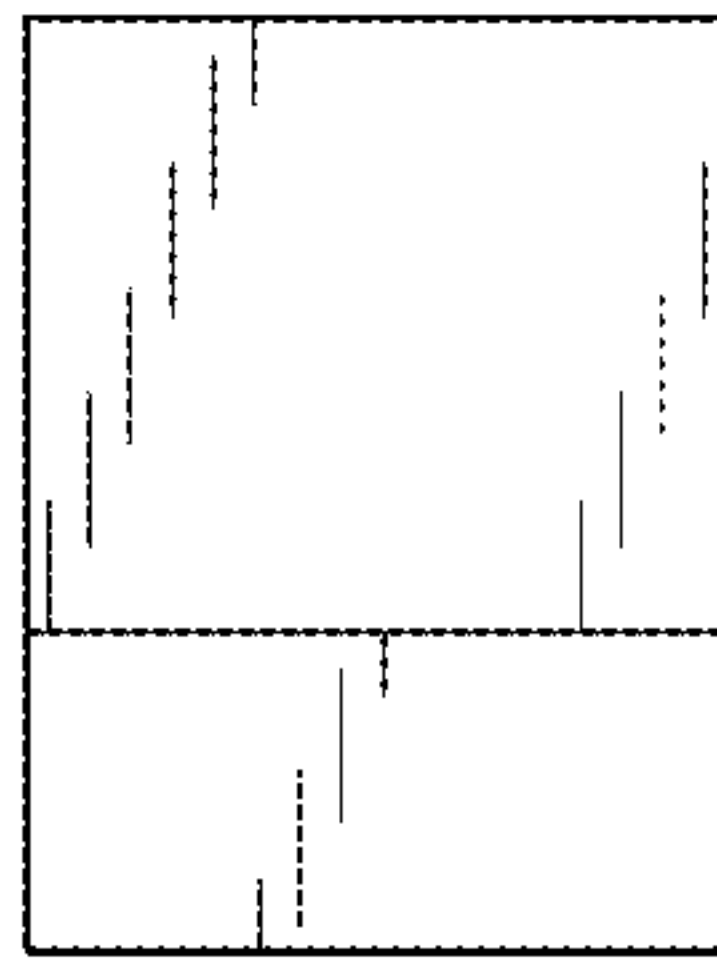


FIG. 9

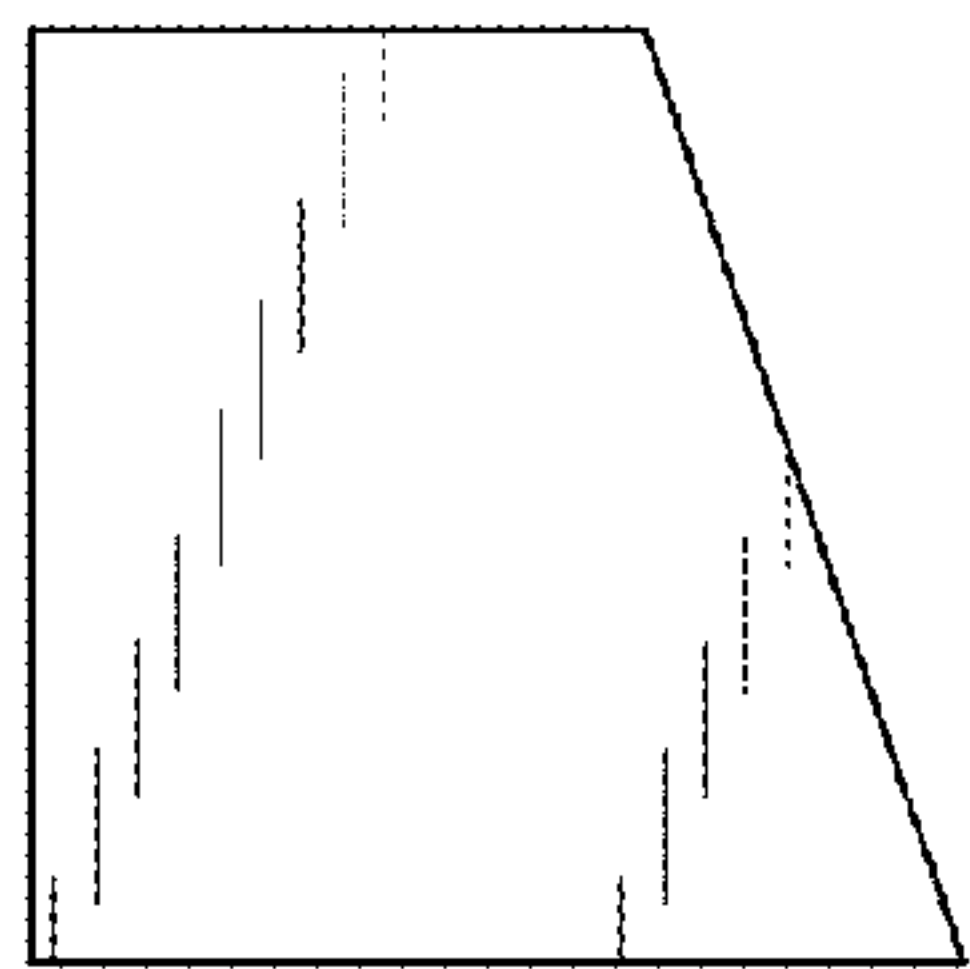


FIG. 10

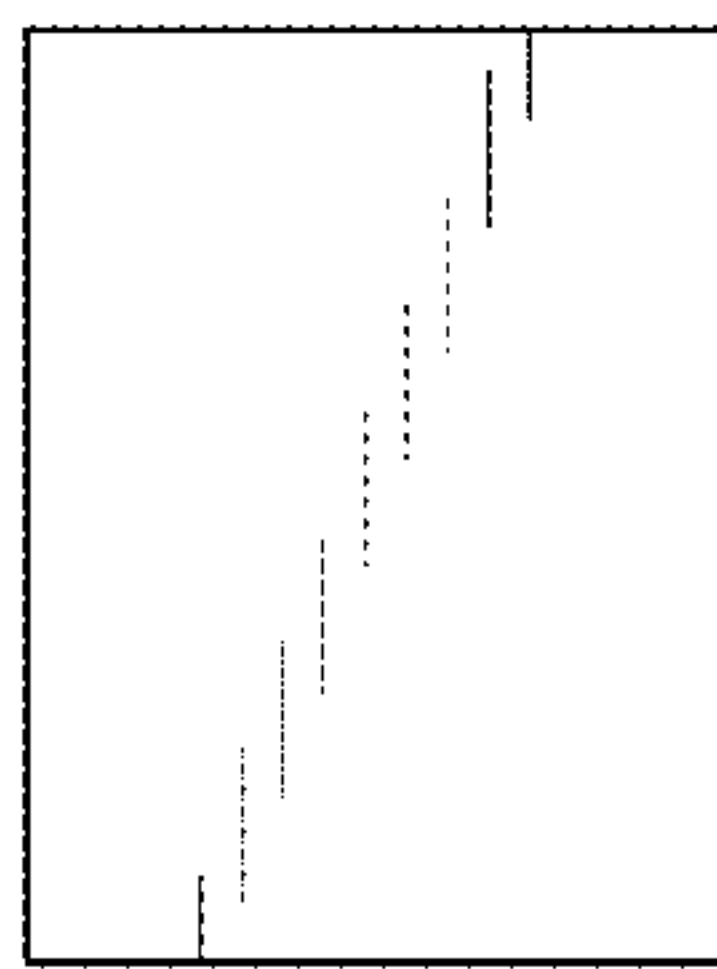


FIG. 11

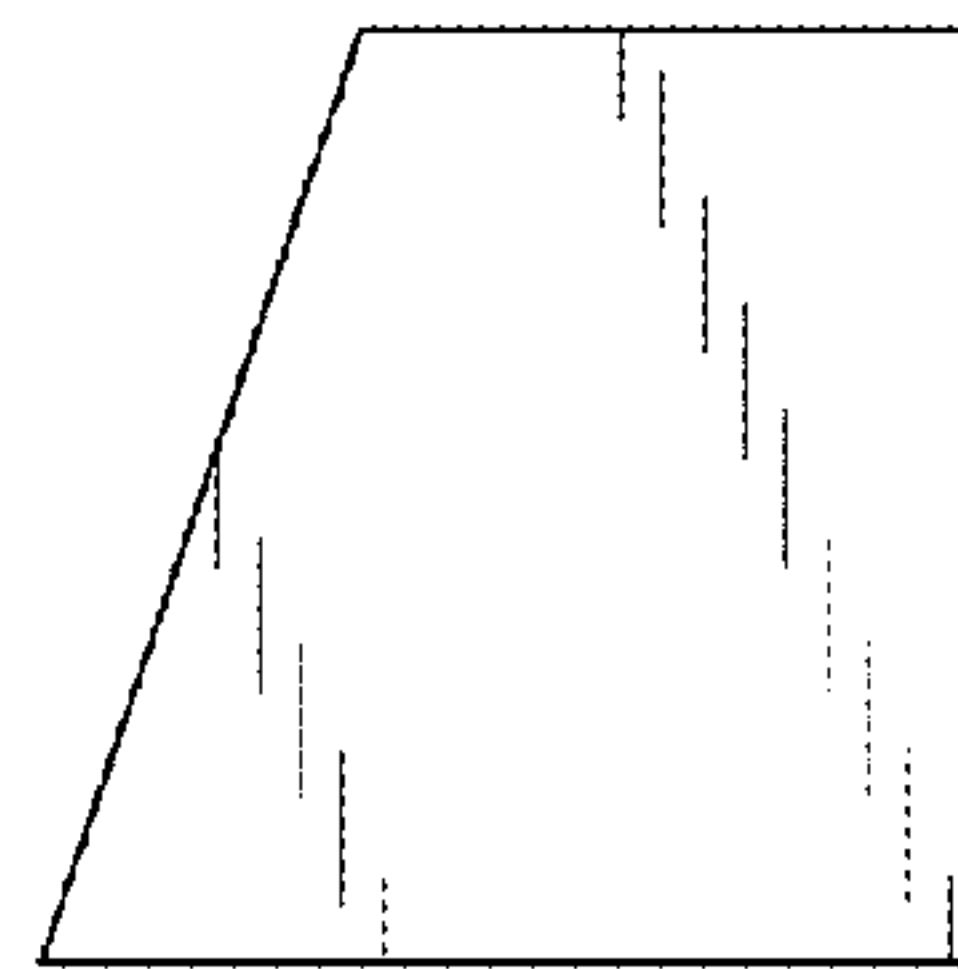


FIG. 12

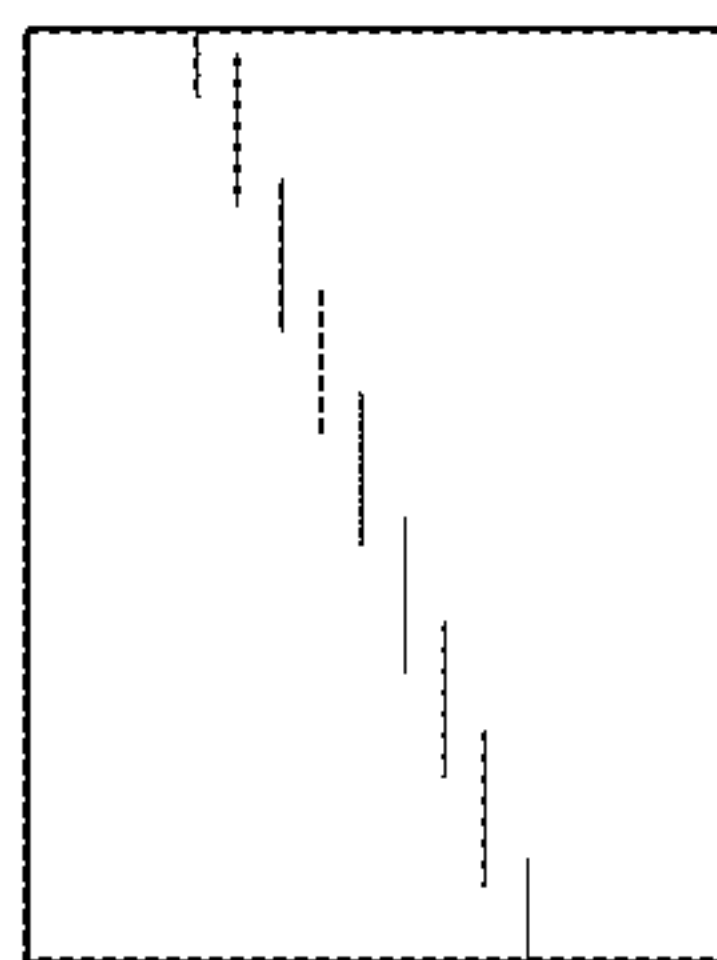


FIG. 13

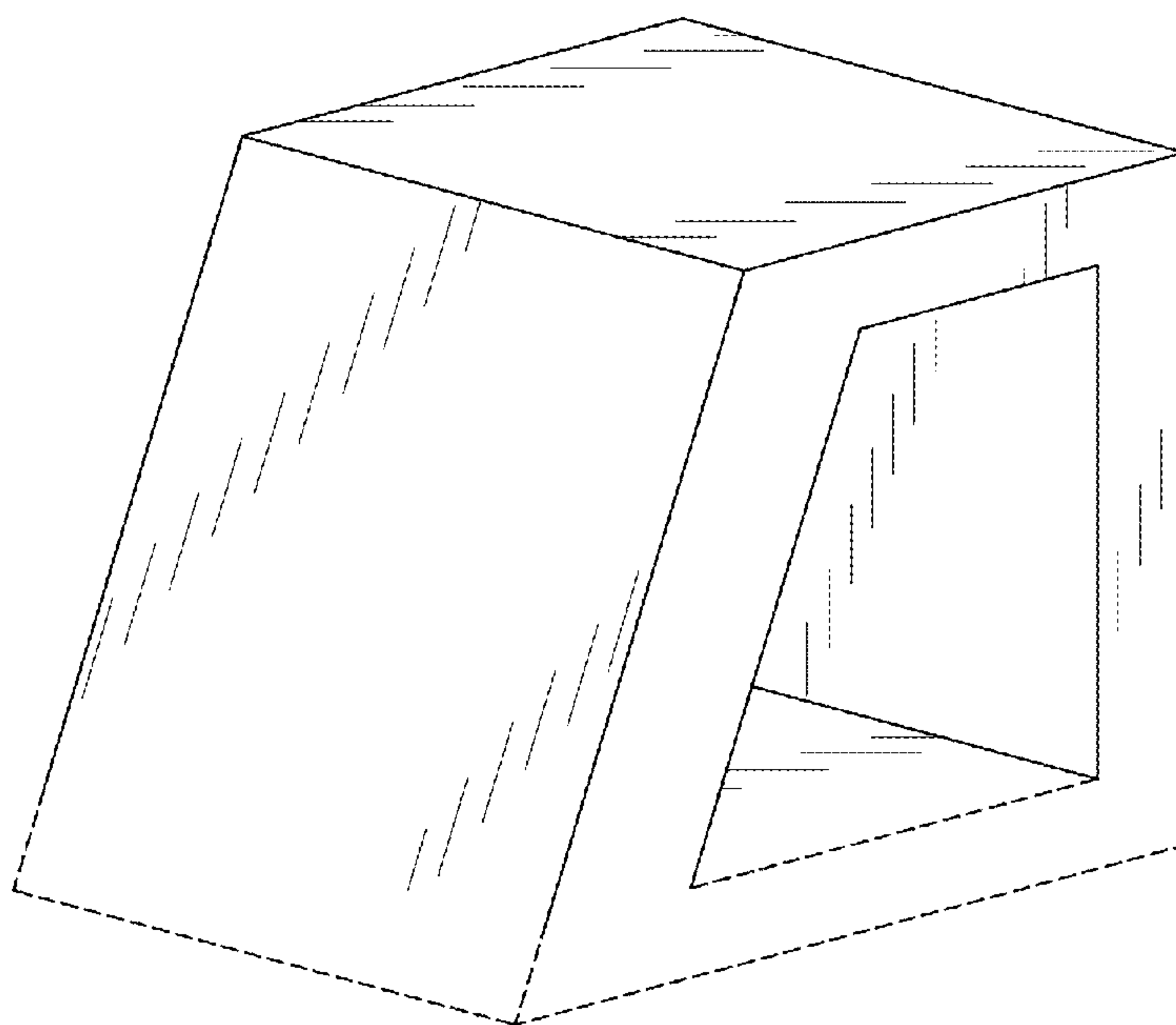


FIG. 14

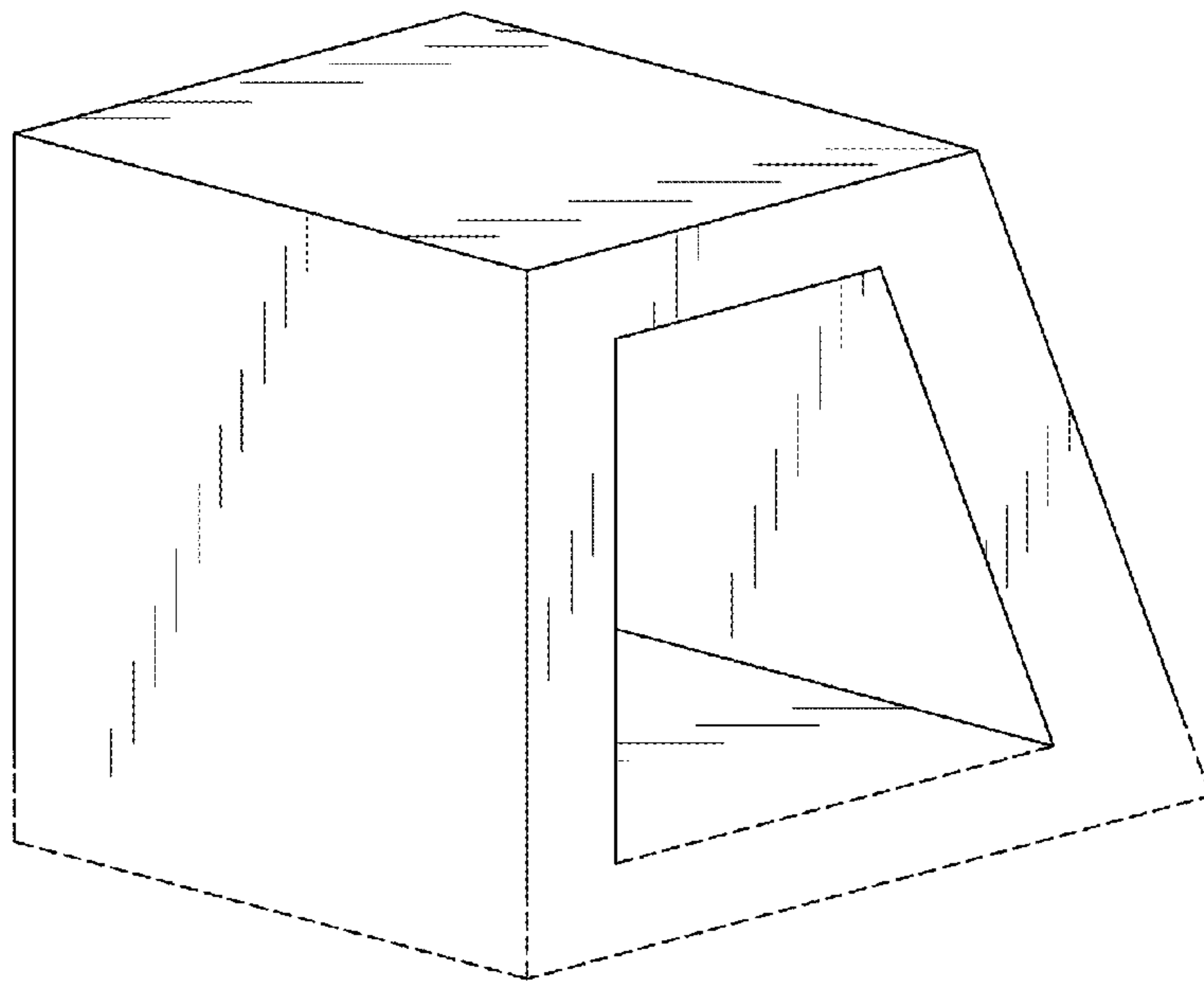


FIG. 15

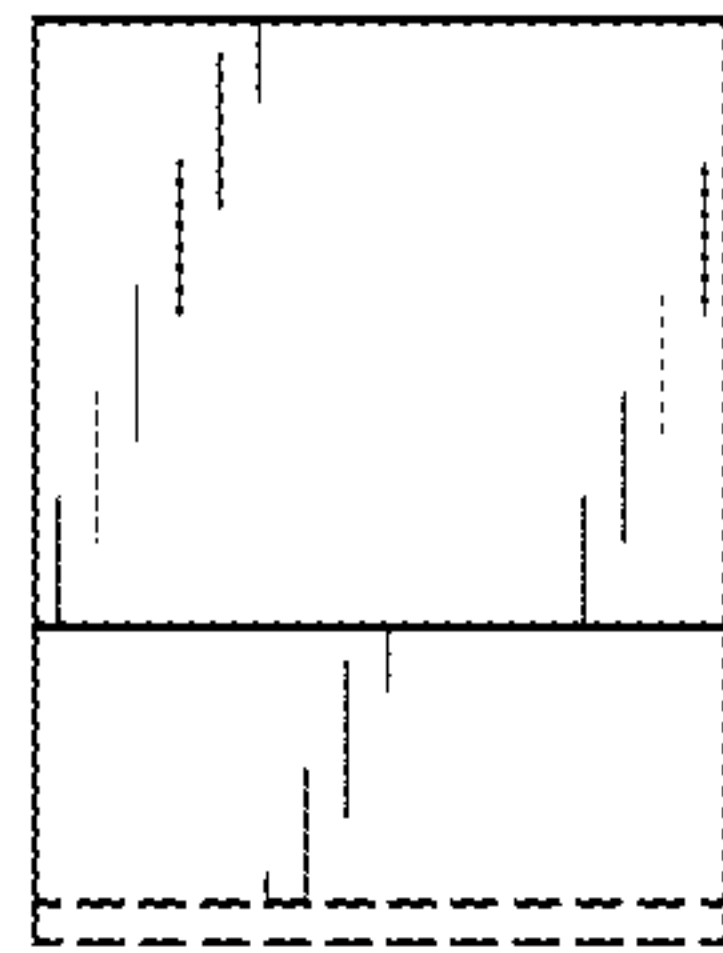


FIG. 16

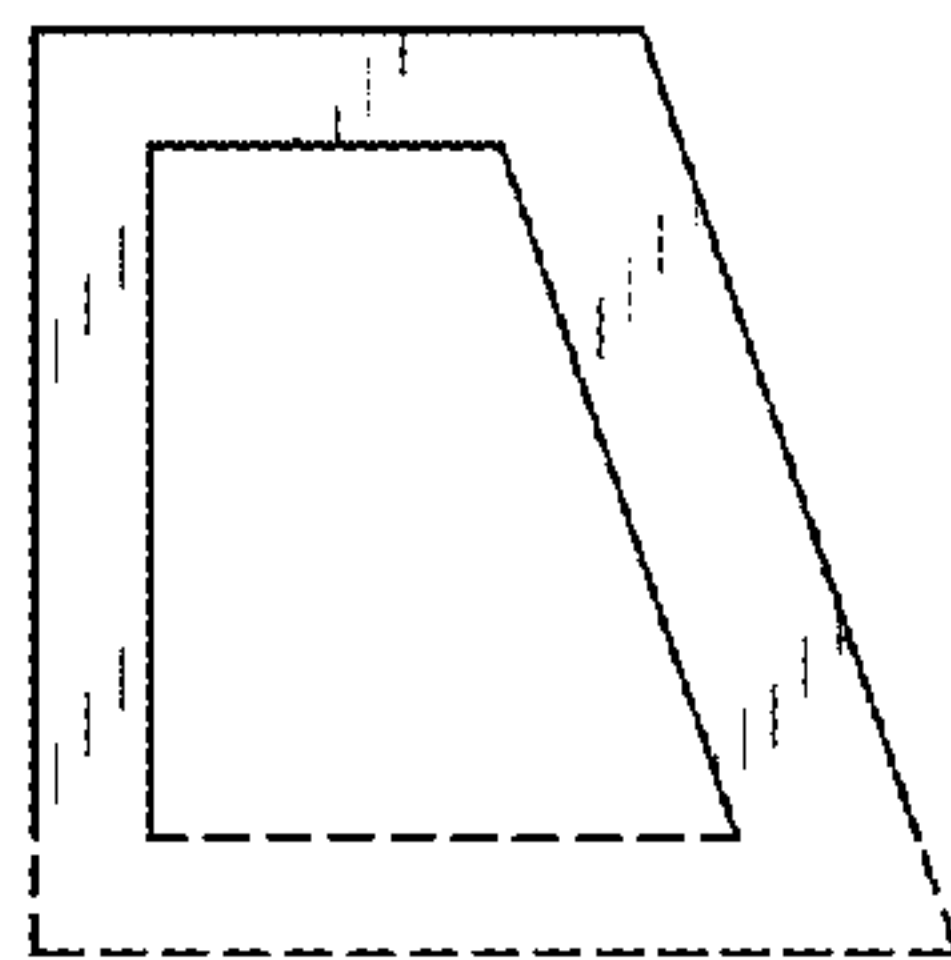


FIG. 17

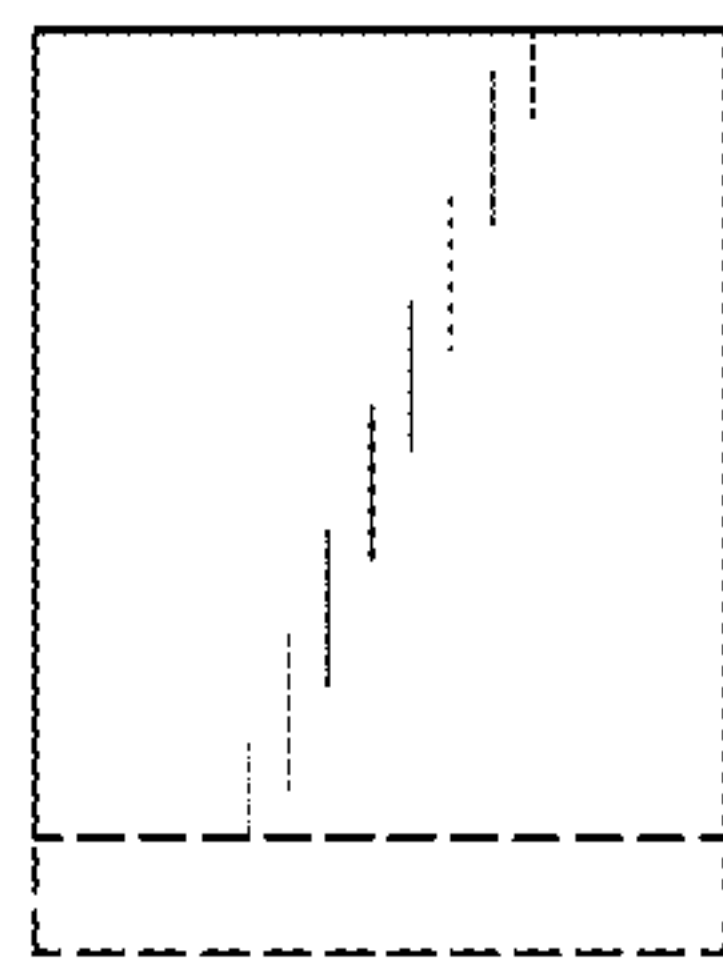


FIG. 18

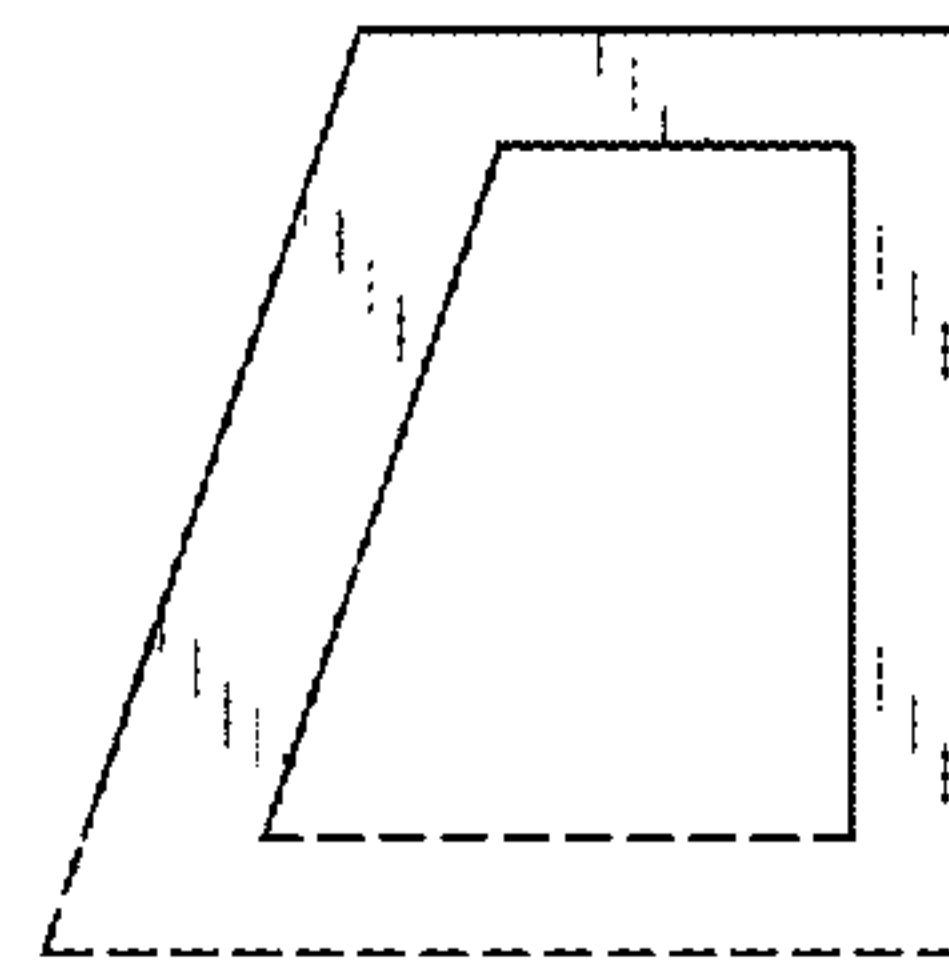


FIG. 19

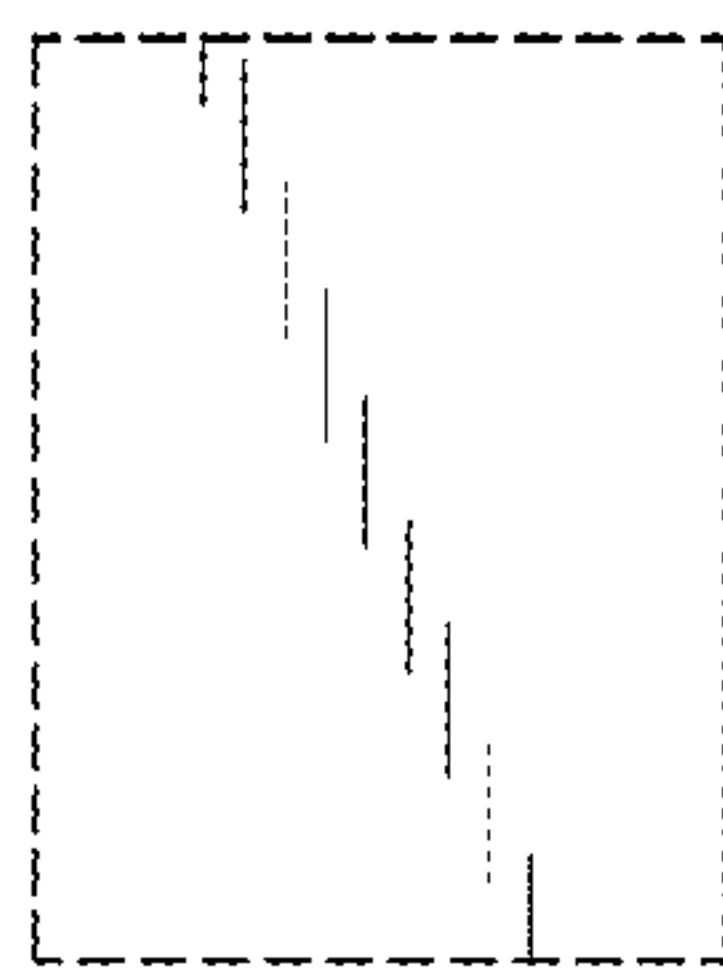


FIG. 20