



US00D710446S

(12) **United States Design Patent**
Lira-Nunez

(10) **Patent No.:** **US D710,446 S**
(45) **Date of Patent:** **** Aug. 5, 2014**

(54) **WRITING INSTRUMENT**

- (71) Applicant: **Sanford, L.P.**, Oak Brook, IL (US)
- (72) Inventor: **Carmen Okuku Lira-Nunez**, Downers Grove, IL (US)
- (73) Assignee: **Sanford, L.P.**, Downers Grove, IL (US)
- (**) Term: **14 Years**
- (21) Appl. No.: **29/446,313**
- (22) Filed: **Feb. 22, 2013**
- (51) **LOC (10) Cl.** **19-06**
- (52) **U.S. Cl.**
USPC **D19/173; D19/912**
- (58) **Field of Classification Search**
USPC D14/411; D19/115-186, 192-204;
24/11 F, 11 P, 11 R; 401/52, 99-104,
401/192, 195, 196, 198
See application file for complete search history.

(56) **References Cited**

U.S. PATENT DOCUMENTS

2,055,316	A *	9/1936	Sharrow	401/54
D421,052	S *	2/2000	Yazawa	D19/48
D534,954	S *	1/2007	Bickert et al.	D19/42
D537,877	S *	3/2007	Bickert	D19/46
D543,237	S *	5/2007	Bickert et al.	D19/42
D554,702	S *	11/2007	Paslowski	D19/48
D623,222	S *	9/2010	Chaffee et al.	D19/36
D623,223	S *	9/2010	Chaffee et al.	D19/36
D633,142	S *	2/2011	Chaffee et al.	D19/36
D641,405	S *	7/2011	Guo	D19/48
D662,984	S *	7/2012	Yan	D19/50
D672,813	S *	12/2012	Zhang	D19/50
D685,429	S *	7/2013	McDaniels et al.	D19/54
D691,197	S *	10/2013	Casciotti et al.	D19/933
D692,483	S *	10/2013	Laemle	D19/933

OTHER PUBLICATIONS

Bic 4 colours pen. Retrieved from the Internet: <URL:http://www.bicworld.com/en/products/details/18/4-color>, applicant's internal files.
 Maped Twin Tips pen. Retrieved from the Internet: <http://www.maped.com/en/products/school-supplies/writing/twin-tip-4>, applicant's internal files.
 Paper Mate InkJoy 700 RT. Retrieved from the Internet: <http://inkjoy.papermate.com/Default.aspx?languageCode=US#/detail>, applicant's internal files.
 Paper Mate InkJoy 100 Stick Pen. Retrieved from the Internet: <http://www.amazon.com/Paper-Mate-InkJoy-Advanced-Colored/dp/B0067Y5KWG>, applicant's internal files.

* cited by examiner

Primary Examiner — Elizabeth Albert

(74) *Attorney, Agent, or Firm* — Marshall, Gerstein & Borun LLP

(57) **CLAIM**

The ornamental design for a writing instrument, as shown and described.

DESCRIPTION

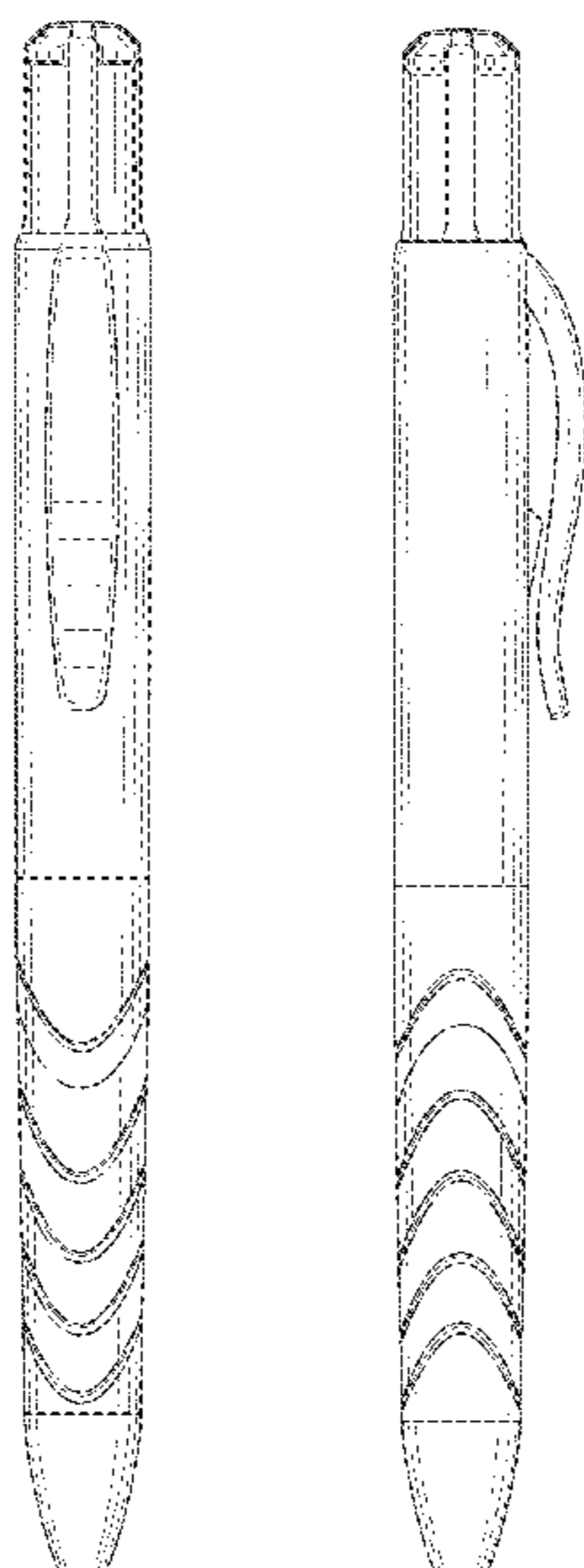
FIG. 1 is a perspective view showing a new design for a writing instrument.

FIG. 2 is a front view of the writing instrument of FIG. 1; FIG. 3 is a rear view of the writing instrument of FIG. 1; FIG. 4 is a left side view of the writing instrument of FIG. 1; FIG. 5 is a right side view of the writing instrument of FIG. 1; FIG. 6 is a top plan view of the writing instrument of FIG. 1; and,

FIG. 7 is a bottom plan view of the writing instrument of FIG. 1.

The broken lines showing portions of the writing instrument are included for the purpose of illustrating environment and form no part of the claimed design.

1 Claim, 4 Drawing Sheets



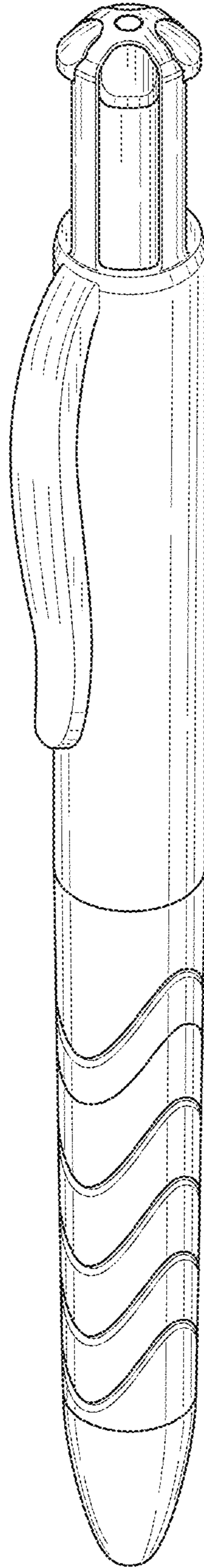


FIG. 1

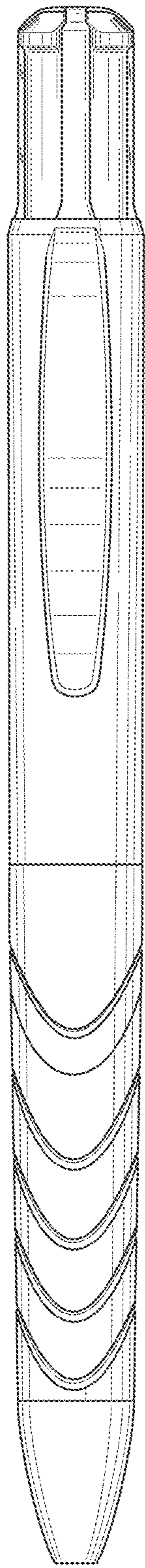


FIG. 2

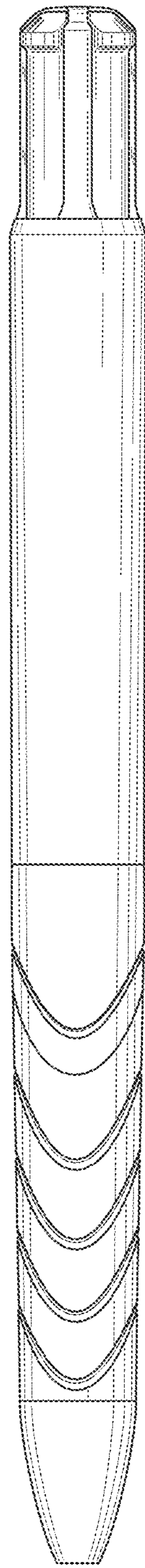


FIG. 3

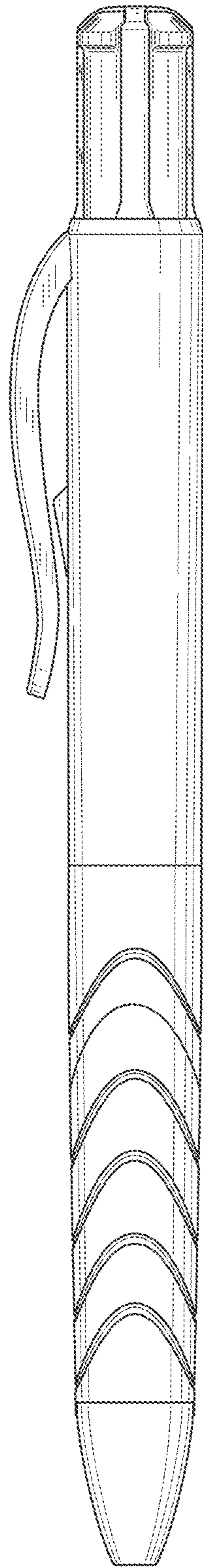


FIG. 4

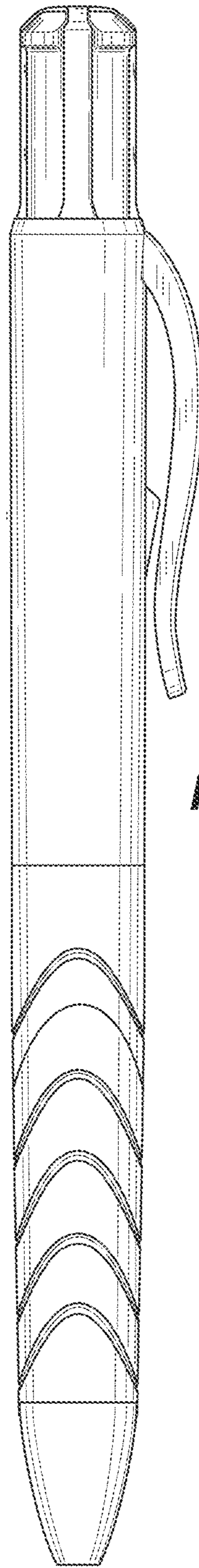


FIG. 5

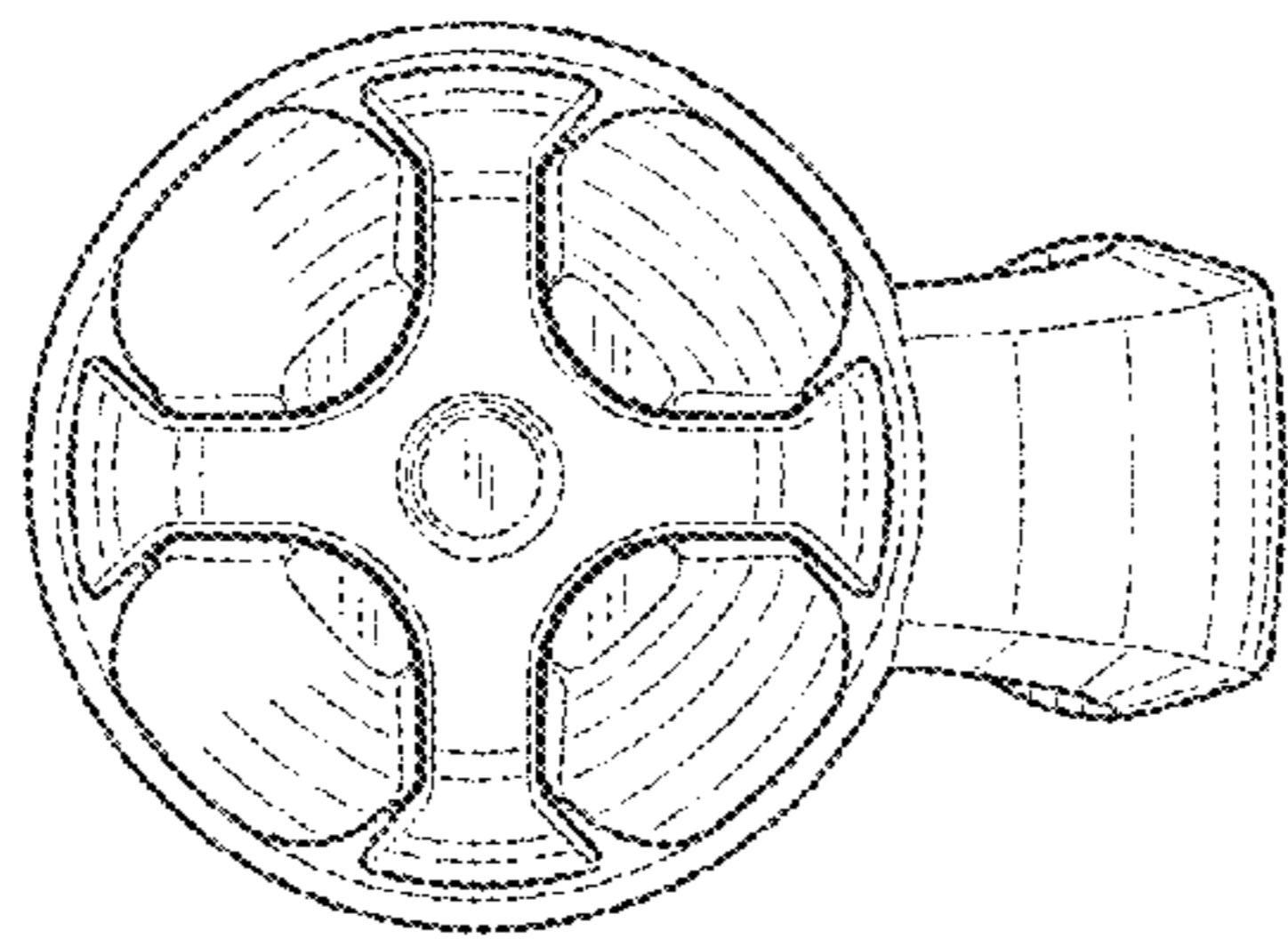


FIG. 6

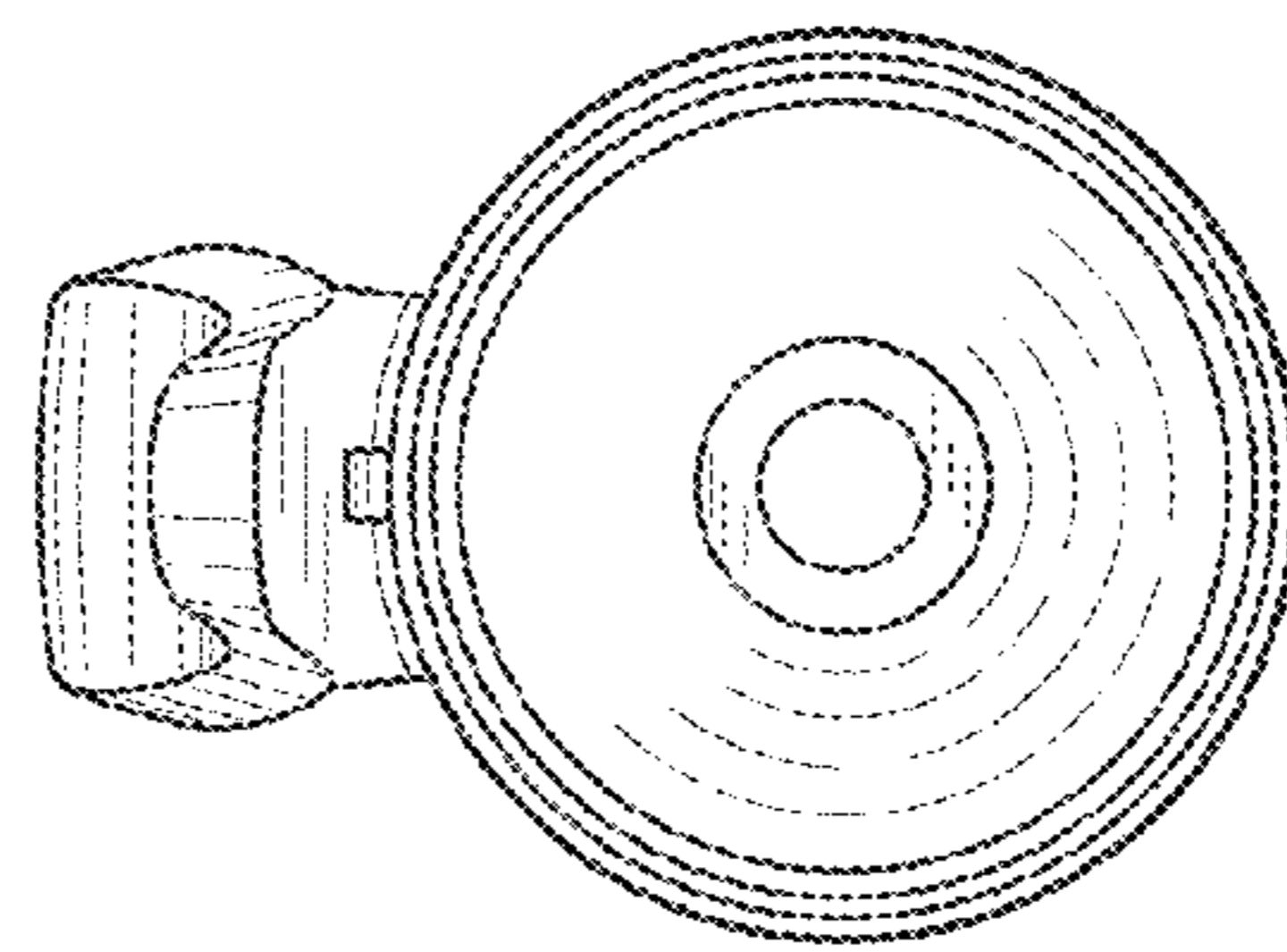


FIG. 7