



US00D710444S

(12) **United States Design Patent**
Momose et al.

(10) **Patent No.:** **US D710,444 S**
(45) **Date of Patent:** **** Aug. 5, 2014**

- (54) **INTERACTIVE WHITEBOARD**
- (71) Applicants: **Akira Momose**, Ohta-ku (JP); **Yasutaka Koga**, Suginami-ku (JP)
- (72) Inventors: **Akira Momose**, Ohta-ku (JP); **Yasutaka Koga**, Suginami-ku (JP)
- (73) Assignee: **Ricoh Company, Ltd.**, Tokyo (JP)
- (**) Term: **14 Years**
- (21) Appl. No.: **29/441,869**
- (22) Filed: **Jan. 10, 2013**

- (30) **Foreign Application Priority Data**
- Jul. 11, 2012 (JP) 2012-016465
- (51) **LOC (10) CL.** **19-06**
- (52) **U.S. CL.**
- USPC **D19/113**
- (58) **Field of Classification Search**
- USPC D6/300–314, 700; D19/88, 90, 91, 113;
D20/10, 27, 39, 40, 42; 40/538, 584,
40/607.01, 611.01; 248/441.1, 444.1,
248/345.1; 312/230; 434/408, 410, 415;
428/122
- See application file for complete search history.

- (56) **References Cited**
- U.S. PATENT DOCUMENTS
- 1,821,692 A * 9/1931 Copeland 206/586
- 1,865,485 A * 7/1932 Elmer 206/453
- 3,047,142 A * 7/1962 Heffley 206/453
- 3,150,854 A * 9/1964 Jamieson 248/345.1
- 3,244,347 A * 4/1966 Jenk 206/586
- 3,318,061 A * 5/1967 Stentz 52/288.1
- 3,398,921 A * 8/1968 Oscar 248/345.1
- 4,202,449 A * 5/1980 Bendt 206/453
- 4,244,471 A * 1/1981 Plante 206/586

4,482,054 A *	11/1984	Gardner	206/594
4,483,444 A *	11/1984	Gardner	206/594
4,877,673 A *	10/1989	Eckel et al.	428/172
4,999,233 A *	3/1991	Probst et al.	428/122
5,065,972 A *	11/1991	Buckshaw et al.	248/345.1
5,149,575 A *	9/1992	Soifer	428/188
5,267,651 A *	12/1993	Hughes	206/586
D351,988 S *	11/1994	Gotcher	D8/403
5,456,962 A *	10/1995	Weiser	428/99
5,918,800 A *	7/1999	Goshorn et al.	229/199
6,044,601 A *	4/2000	Chmela et al.	52/287.1
6,261,653 B1 *	7/2001	Smith	428/35.7
6,286,683 B1 *	9/2001	Hunt et al.	206/586
7,383,952 B2 *	6/2008	Kruelle et al.	206/453
7,727,614 B2 *	6/2010	Stubing	428/119
D649,190 S *	11/2011	Goodall	D19/52
8,201,796 B2 *	6/2012	Belyea et al.	248/345.1
2012/0235004 A1 *	9/2012	Belyea et al.	248/345.1

* cited by examiner

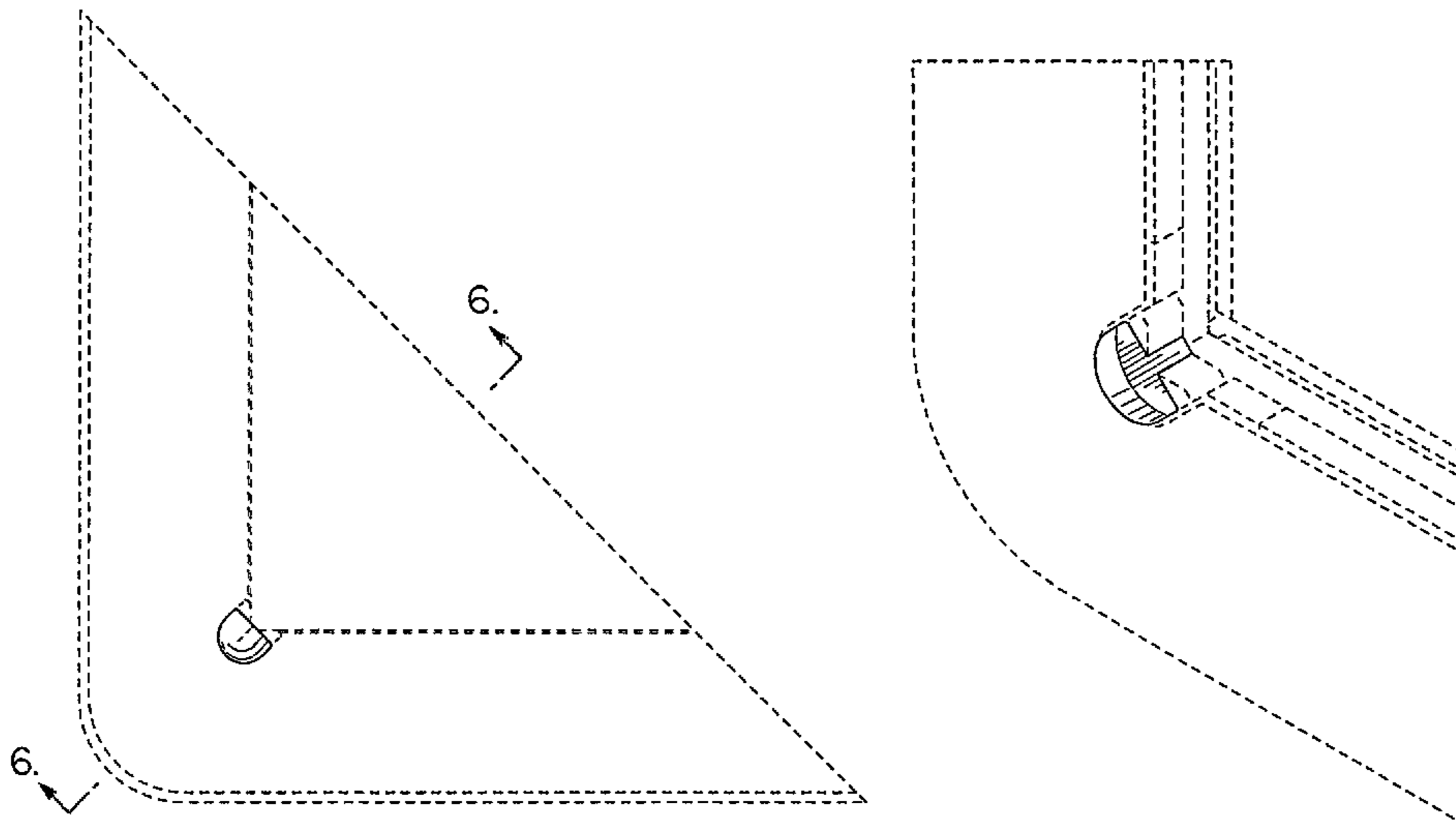
Primary Examiner — Elizabeth Albert
(74) *Attorney, Agent, or Firm* — Oblon, Spivak, McClelland, Maier & Neustadt, L.L.P.

(57) **CLAIM**
The ornamental design for an interactive whiteboard, as shown and described.

DESCRIPTION

FIG. 1 is a front elevational view of an interactive whiteboard; FIG. 2 is a left side elevational view thereof; FIG. 3 is a bottom plan view thereof; FIG. 4 is a front, top, and right side perspective view thereof; FIG. 5 is an enlarged front elevational view thereof, along line 5-5 from FIG. 1; FIG. 6 is an enlarged sectional view thereof, along line 6-6 from FIG. 5; and, FIG. 7 is an enlarged front, top, and right side perspective view thereof, along line 7-7 from FIG. 4. The broken lines in the drawings depict environmental subject matter only and form no part of the claimed design.

1 Claim, 4 Drawing Sheets



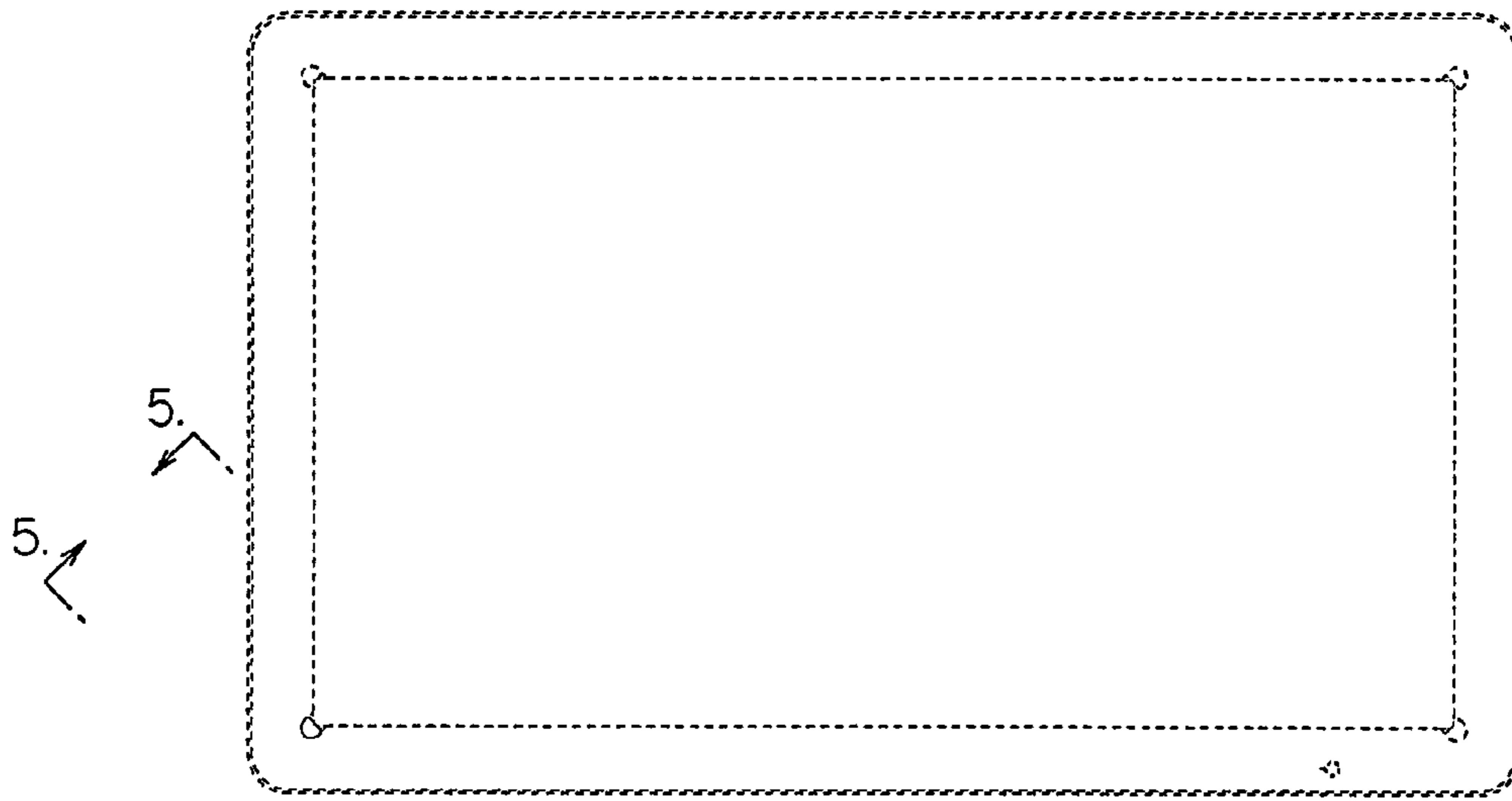


FIG. 1

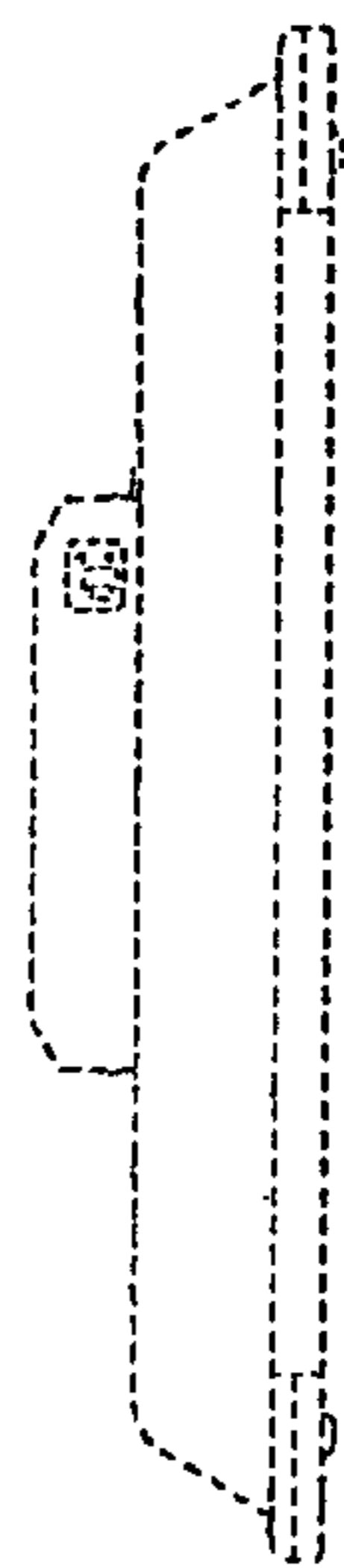


FIG. 2

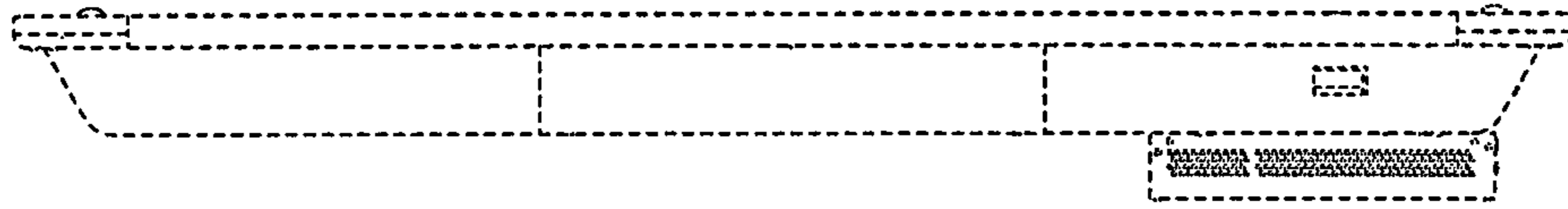


FIG.3

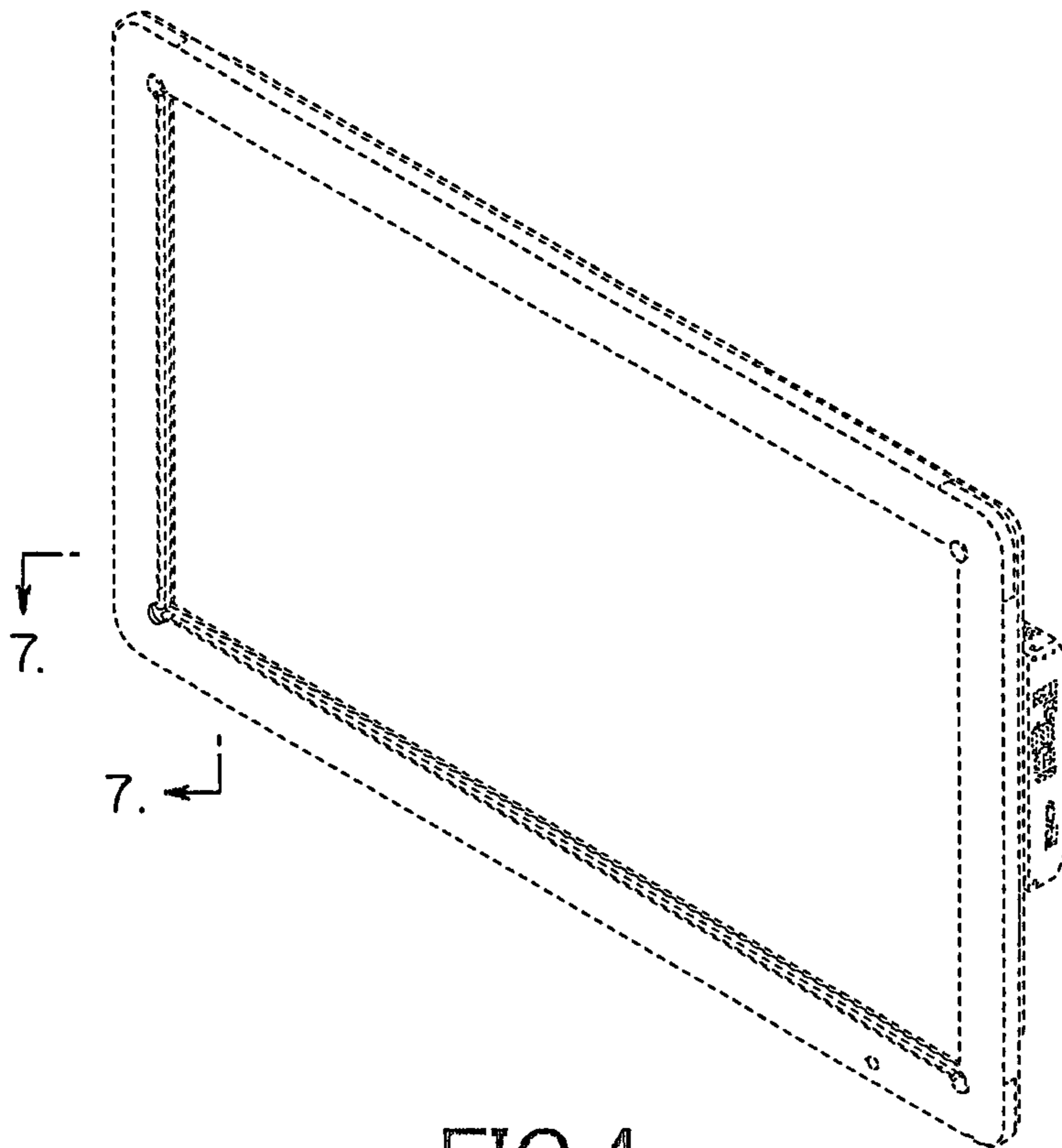


FIG.4

FIG.5

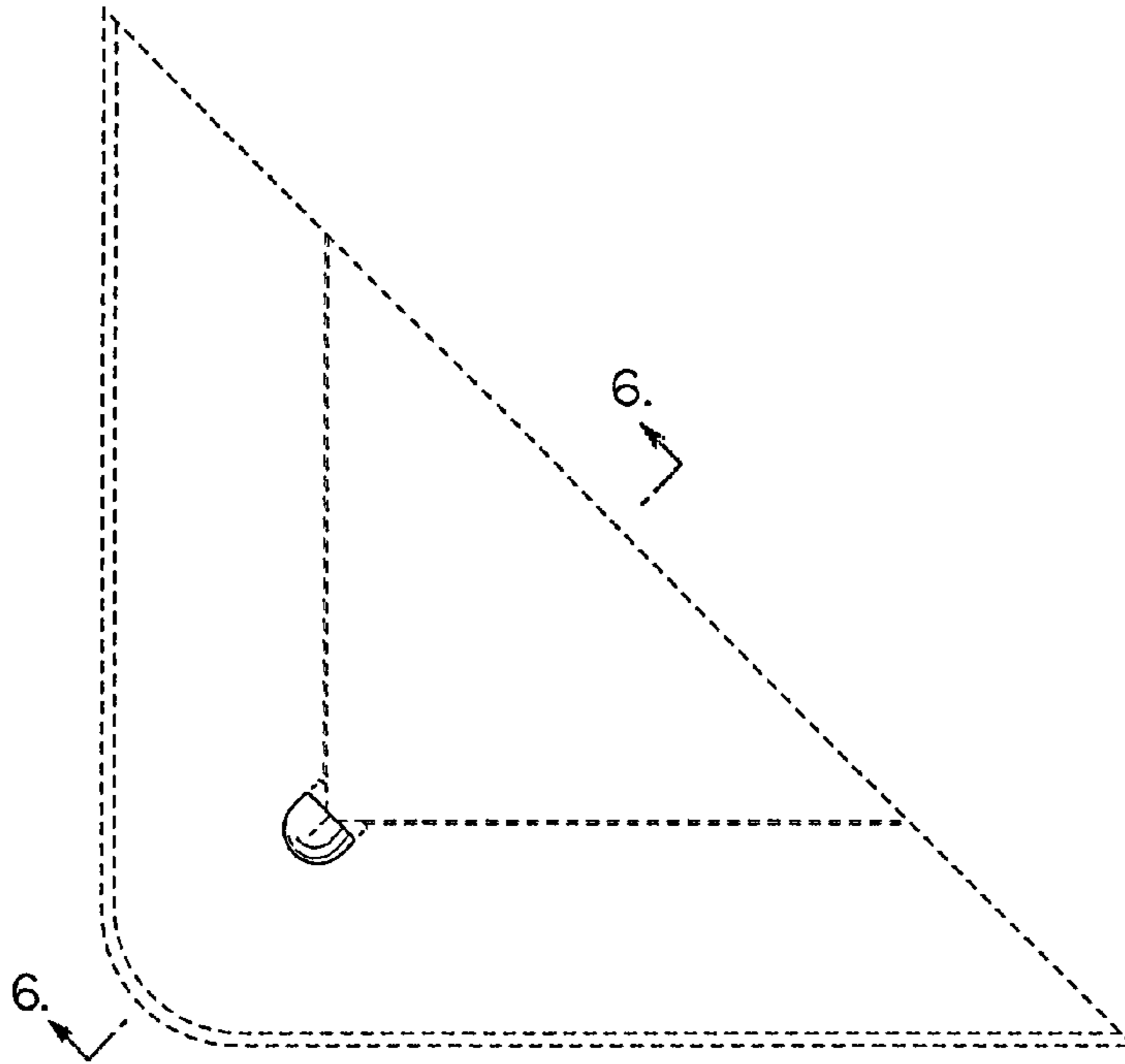


FIG.6

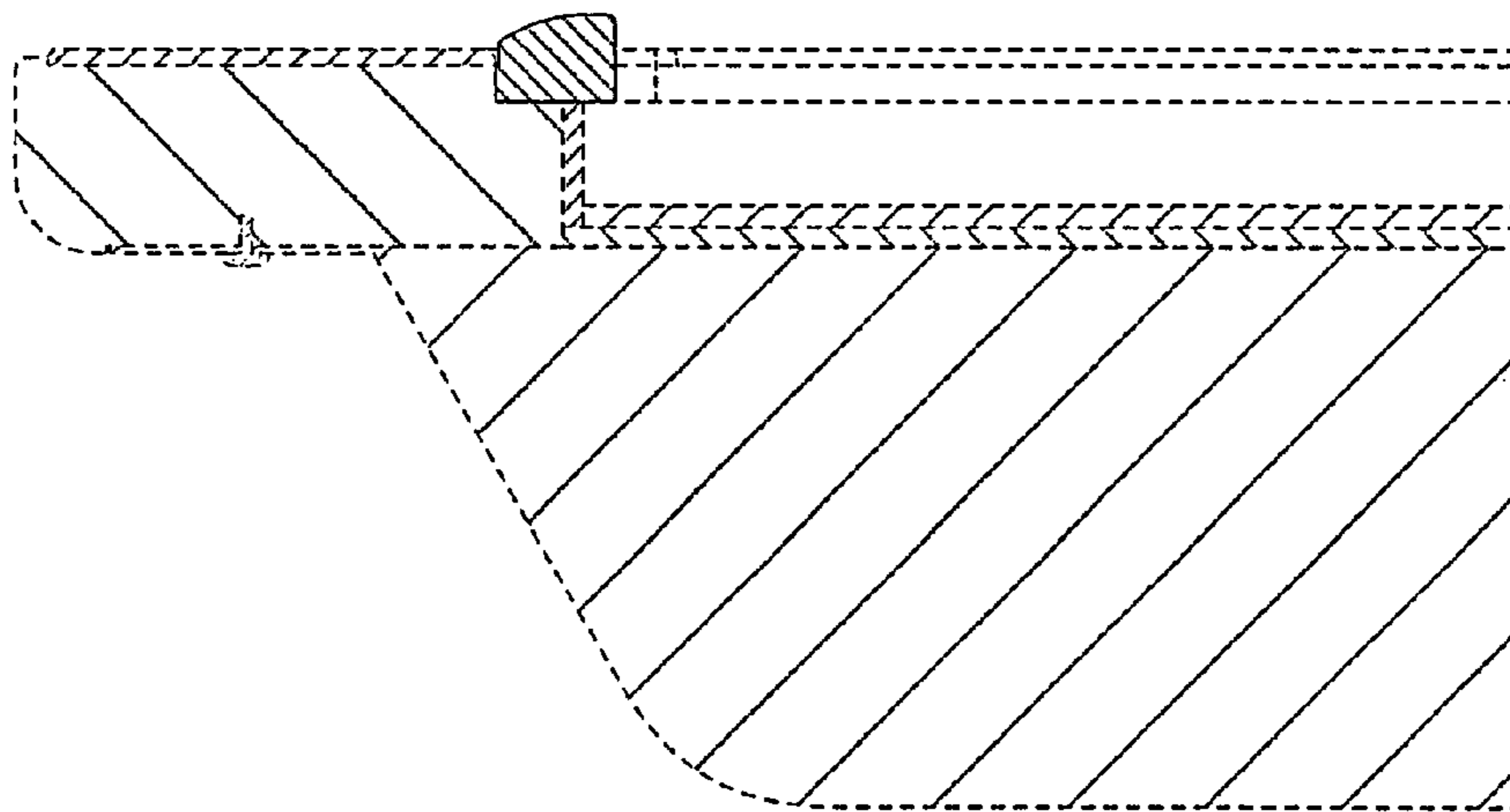


FIG.7

