



US00D710441S

(12) **United States Design Patent**  
**Soler**

(10) **Patent No.:** **US D710,441 S**

(45) **Date of Patent:** **\*\* Aug. 5, 2014**

(54) **LEARNING DISPLAY DEVICE**

(71) Applicant: **Carrie A. Soler**, Deerfield Beach, FL  
(US)

(72) Inventor: **Carrie A. Soler**, Deerfield Beach, FL  
(US)

(73) Assignee: **Mastermind Memory Technologies  
LLC**, Boca Raton, FL (US)

(\*\*) Term: **14 Years**

(21) Appl. No.: **29/452,485**

(22) Filed: **Apr. 17, 2013**

(51) **LOC (10) Cl.** ..... **19-07**

(52) **U.S. Cl.**  
USPC ..... **D19/59**

(58) **Field of Classification Search**  
USPC ..... D19/59-64, 52, 36; D6/300, 308,  
D6/310-311, 700; D14/447, 371;  
D21/469, 475; 434/428-432  
See application file for complete search history.

(56) **References Cited**

**U.S. PATENT DOCUMENTS**

D279,489 S *	7/1985	Mak	.....	D21/469
D302,187 S *	7/1989	Kato	.....	D21/475
D361,597 S *	8/1995	Billings et al.	.....	D21/469
D371,810 S *	7/1996	Arad et al.	.....	D21/475
D388,826 S *	1/1998	Jones-Fenleigh et al.	.....	D19/59
D419,599 S *	1/2000	Mak	.....	D19/52

D443,304 S *	6/2001	Mak	.....	D19/52
D444,176 S *	6/2001	Leslie	.....	D19/59
D498,269 S *	11/2004	Shirai	.....	D21/469
D502,964 S *	3/2005	Cziraky	.....	D19/36
D539,350 S *	3/2007	Vazquez Gastellu	.....	D19/64
D584,364 S *	1/2009	Quercetti	.....	D21/469
D590,404 S *	4/2009	Kim et al.	.....	D14/447
D648,728 S *	11/2011	Atkins et al.	.....	D14/447
D651,213 S *	12/2011	Magness et al.	.....	D14/447
D667,831 S *	9/2012	Stravitz	.....	D14/447

\* cited by examiner

*Primary Examiner* — T. Chase Nelson

*Assistant Examiner* — Mark Cavanna

(74) *Attorney, Agent, or Firm* — Gregor N. Neff

(57) **CLAIM**

The ornamental design for a learning display device, as shown and described.

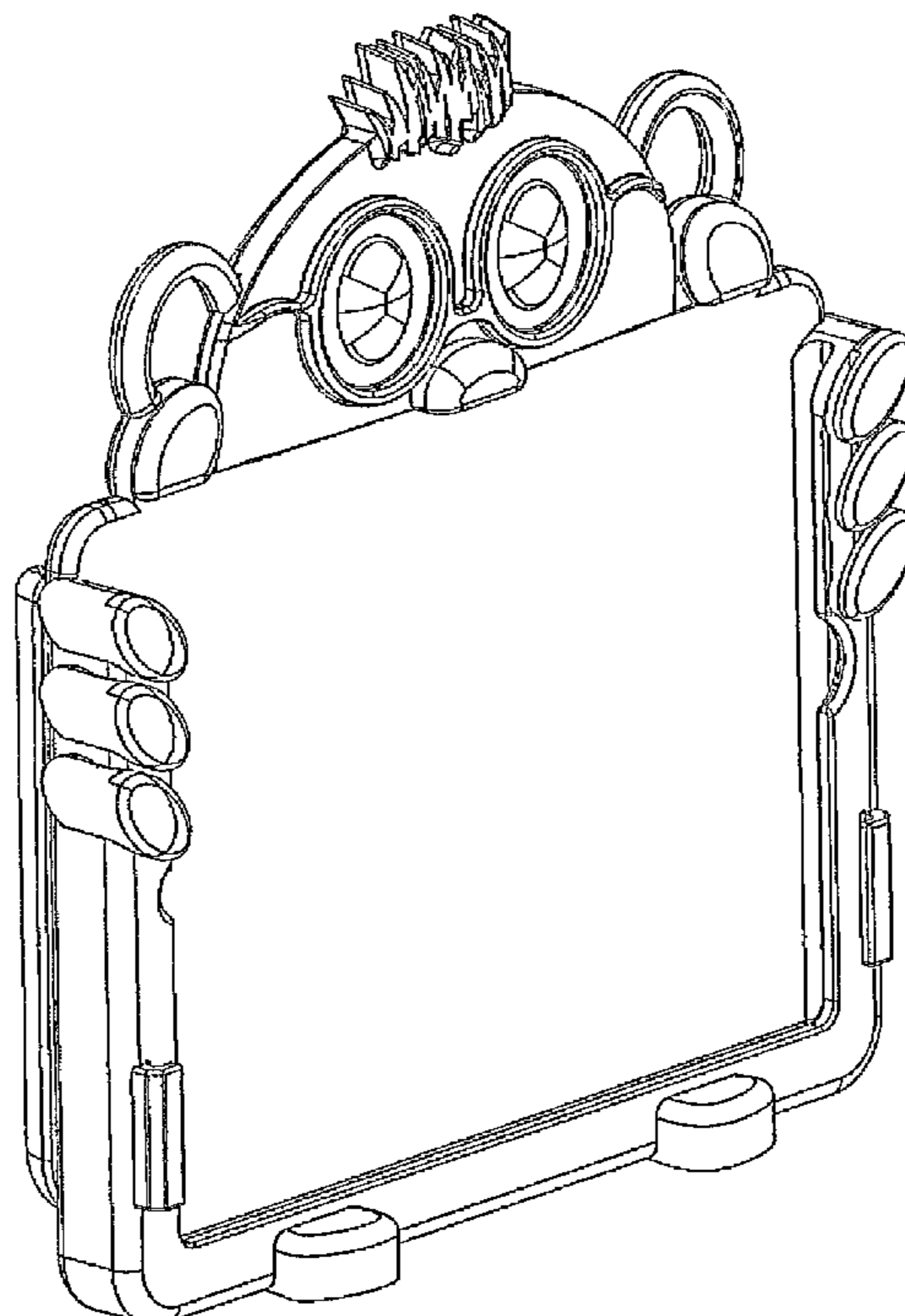
**DESCRIPTION**

FIG. 1 is a perspective view of the learning display device; FIG. 2 is a top plan view of the learning display device; FIG. 3 is a front elevation view of the learning display device; and, FIG. 4 is a left side elevation view of the learning display device.

The rear and the bottom surfaces of the device are unadorned and form no part of the design. The right side elevation view is the mirror image of the left side elevation view.

The broken lines are included for the purpose of illustrating portions of the learning display device that forms no part of the claimed design.

**1 Claim, 2 Drawing Sheets**



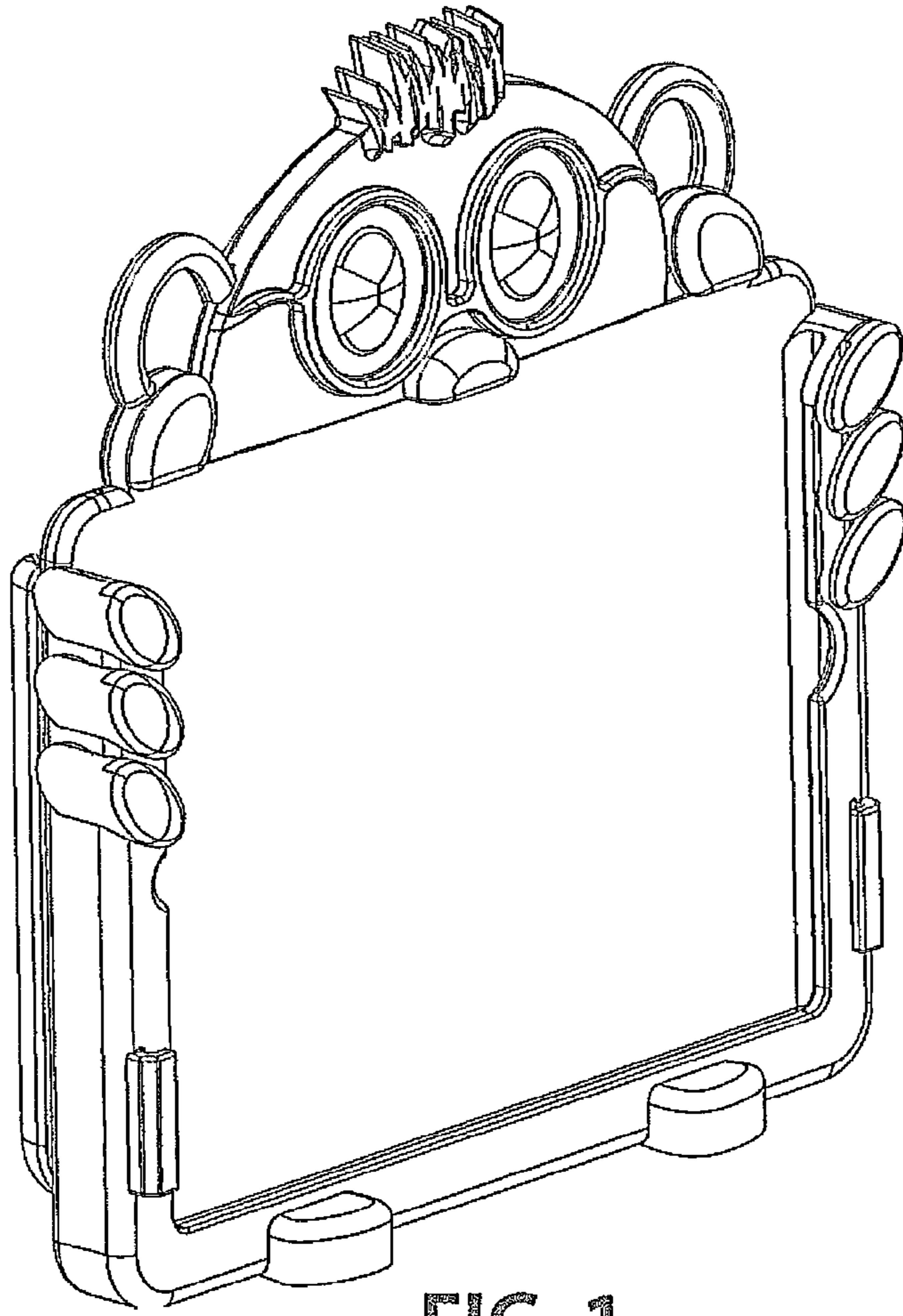


FIG. 1

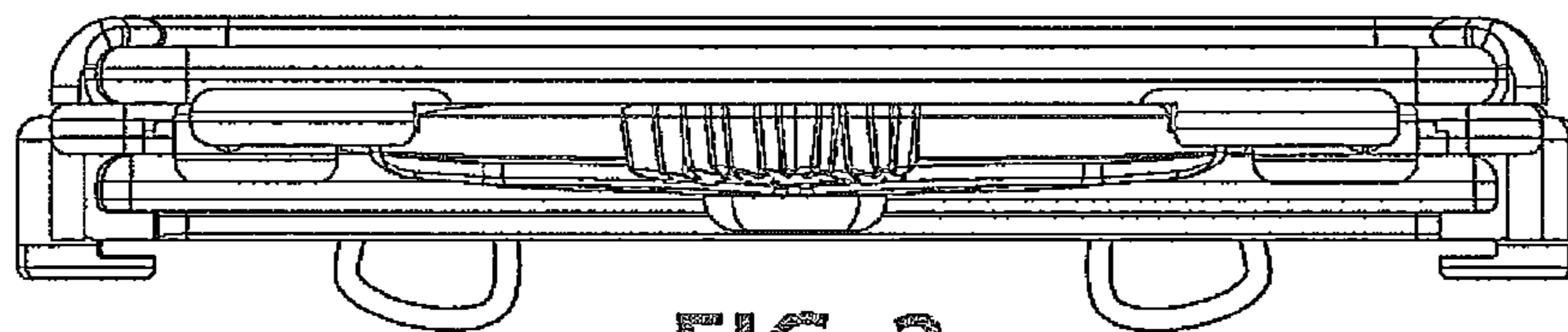


FIG. 2

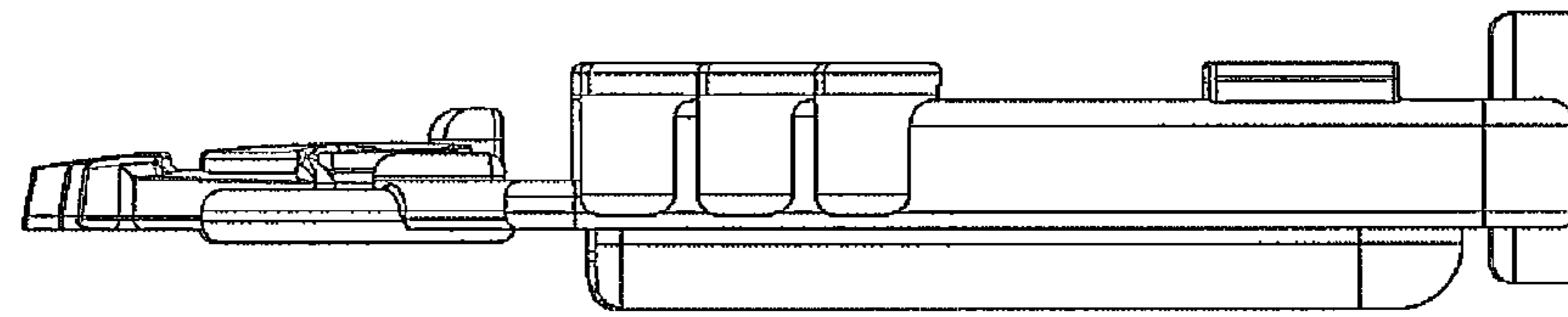


FIG. 4

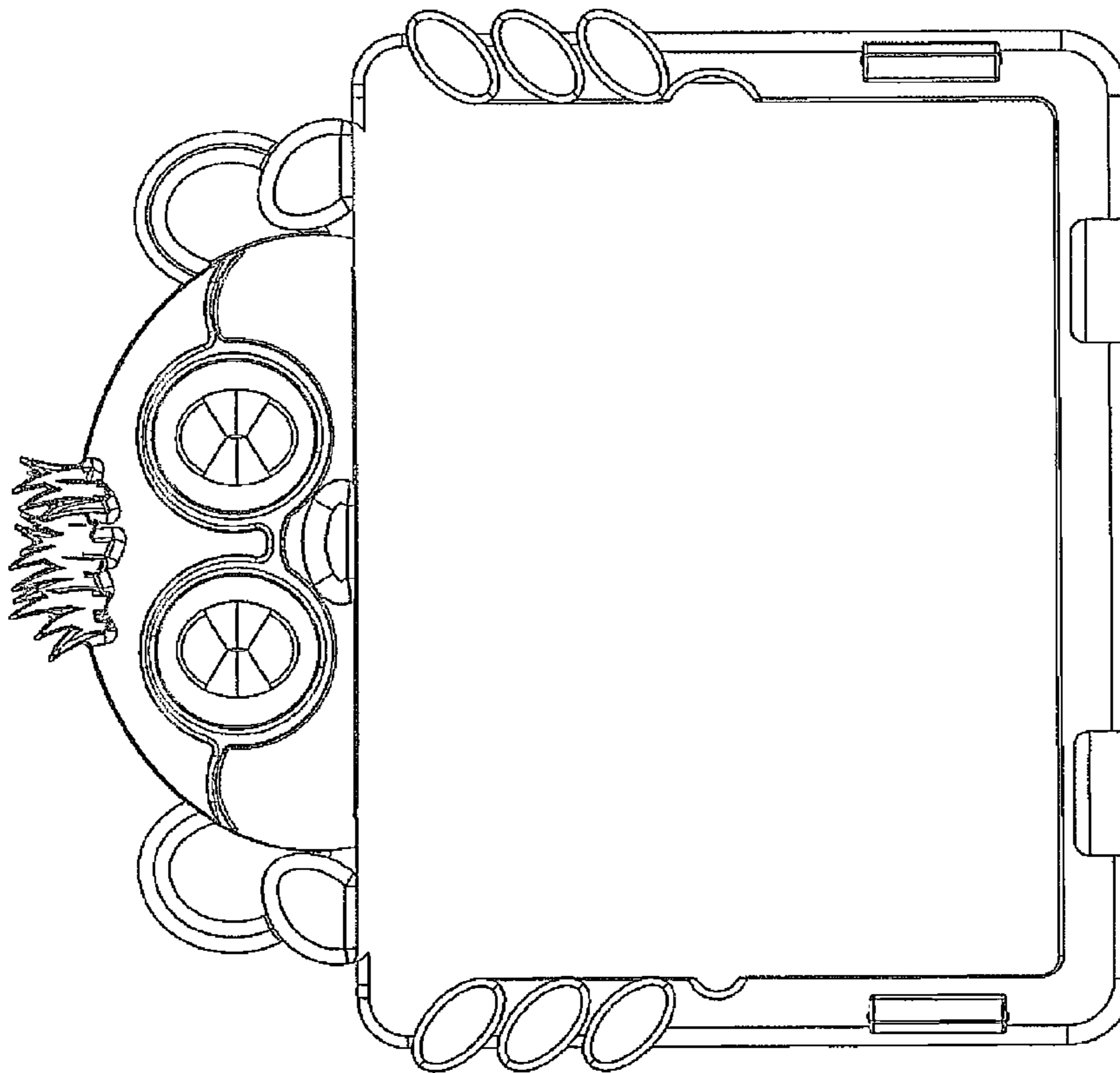


FIG. 3