



US00D710426S

(12) **United States Design Patent**
Sato

(10) **Patent No.:** **US D710,426 S**

(45) **Date of Patent:** **** Aug. 5, 2014**

(54) **GRIP FOR CAMERA**

(75) Inventor: **Jun Sato**, Minato-ku (JP)

(73) Assignee: **FUJIFILM Corporation**, Tokyo (JP)

(**) Term: **14 Years**

(21) Appl. No.: **29/416,279**

(22) Filed: **Mar. 20, 2012**

(30) **Foreign Application Priority Data**

Dec. 26, 2011 (JP) 2011-030037

(51) **LOC (10) Cl.** **16-05**

(52) **U.S. Cl.**
USPC **D16/243**

(58) **Field of Classification Search**
USPC D16/237, 239, 240; D14/203.4, 250,
D14/345, 440, 449; 362/3, 16-18, 182, 552,
362/612; D3/205, 227, 247, 263, 267, 268,
D3/298; D8/73, 107, 310, 352, 373, 382;
D9/435, 445, 453, 454

See application file for complete search history.

(56) **References Cited**

U.S. PATENT DOCUMENTS

D131,341 S *	2/1942	Benson et al.	D16/219
D201,158 S *	5/1965	Wessels	D16/237
3,820,148 A *	6/1974	Osanai	396/387
D246,372 S *	11/1977	Yoshino	D16/243
D258,067 S *	1/1981	Bogart, Jr.	D16/243
D270,916 S *	10/1983	Cheplo	D16/243
D283,624 S *	4/1986	Maitani et al.	D16/219
D306,870 S *	3/1990	Overstreet	D16/219

D425,540 S *	5/2000	Hubbell	D16/242
D630,239 S *	1/2011	Huguley	D16/243
D677,309 S *	3/2013	Asano	D16/243

OTHER PUBLICATIONS

Fuji HG-XE1: Getting a grip on the camera.—Slide 1 [online] Dated Feb. 12, 2013. Retrieved Nov. 29, 2013 from URL: <<http://macfilos.com/home/2013/2/12/fuji-x-e1-getting-a-grip-on-the-camera>>.*
Fuji HG-XE1: Getting a grip on the camera.—Slide 2 [online] Dated Feb. 12, 2013. Retrieved Nov. 29, 2013 from URL: <<http://macfilos.com/home/2013/2/12/fuji-x-e1-getting-a-grip-on-the-camera>>.*
Leica X2 Hand Grip. [online] Retrieved Nov. 29, 2013 from URL: <http://en.leica-camera.com/photography/compact_cameras/accessories/x2/8862.html>.*

* cited by examiner

Primary Examiner — Susan Bennett Hattan

Assistant Examiner — Vy Koenig

(74) *Attorney, Agent, or Firm* — Sughrue Mion, PLLC

(57) **CLAIM**

The ornamental design for a grip for camera, as shown and described.

DESCRIPTION

FIG. 1 is a top, front and side perspective view of a grip for camera showing my new design;
FIG. 2 is a front elevational view thereof;
FIG. 3 is a rear elevational view thereof;
FIG. 4 is a top plan view thereof;
FIG. 5 is a bottom plan view thereof;
FIG. 6 is a left side elevational view thereof;
FIG. 7 is a right side elevational view thereof;
FIG. 8 is a reference front elevational view thereof in a manner of use; and,
FIG. 9 is a reference top plan view thereof in a manner of use.
The broken lines shown in the figures represent environmental subject matter and form no part of the claimed design.

1 Claim, 8 Drawing Sheets

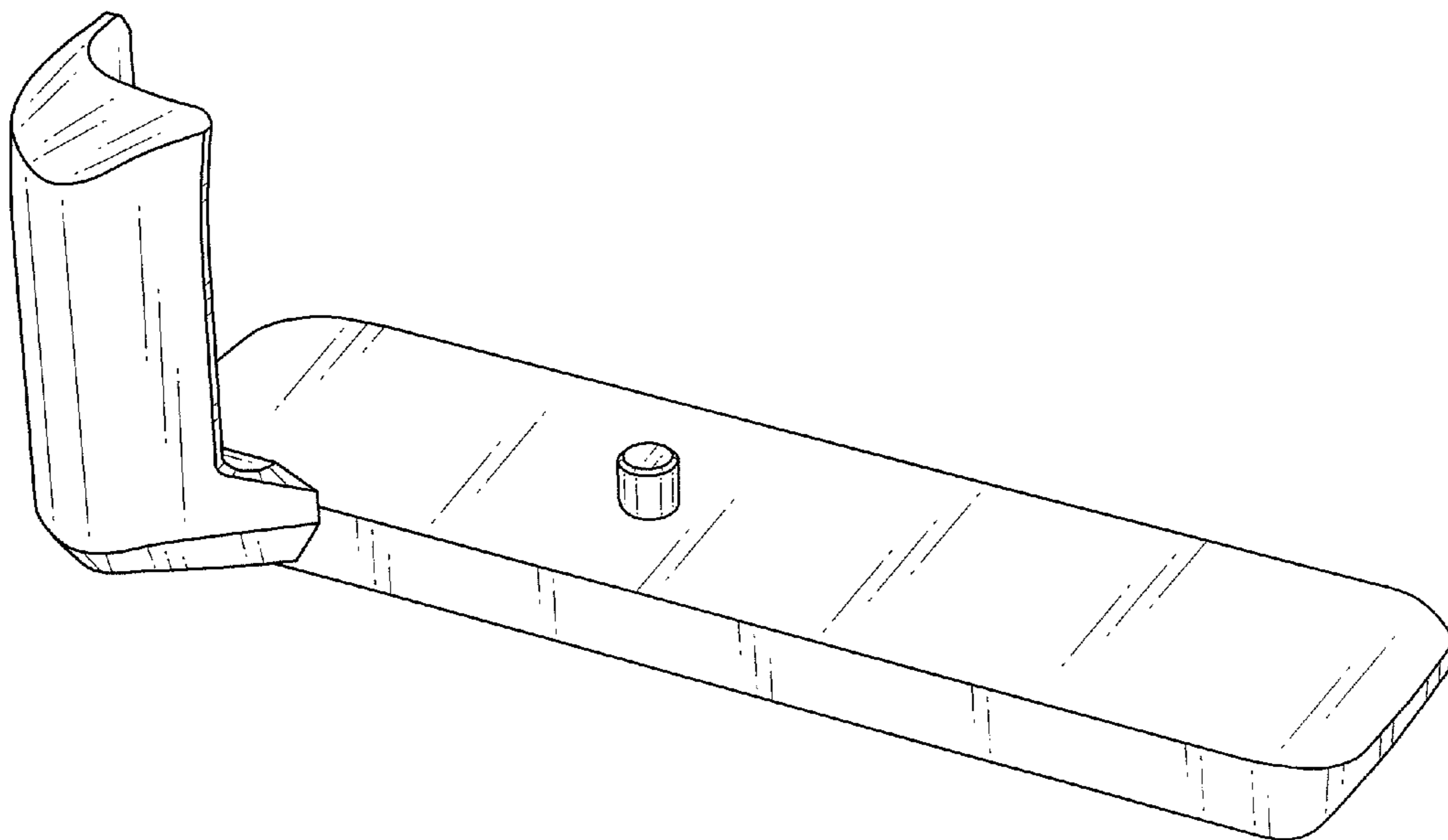


FIG.1

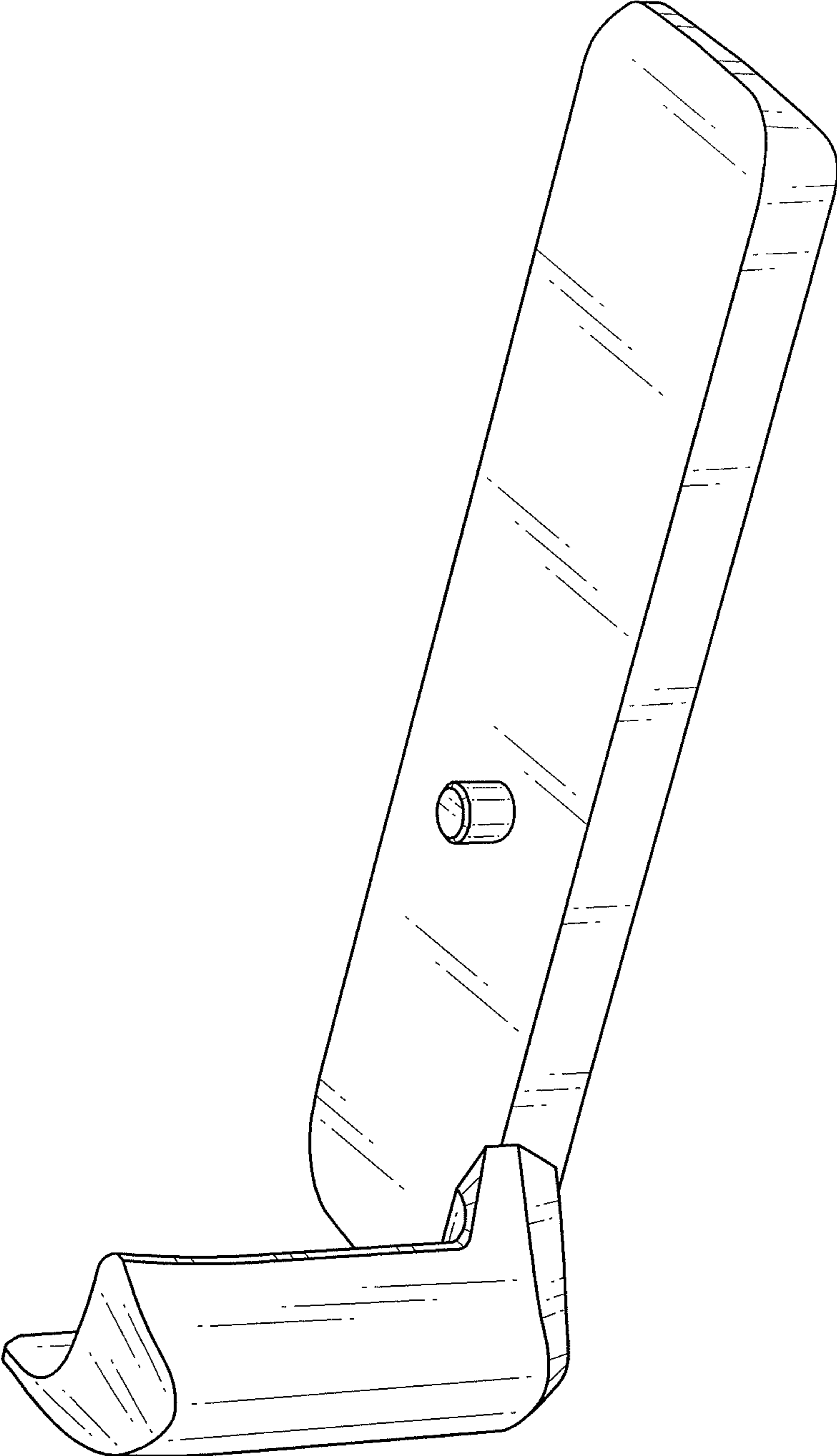


FIG. 2

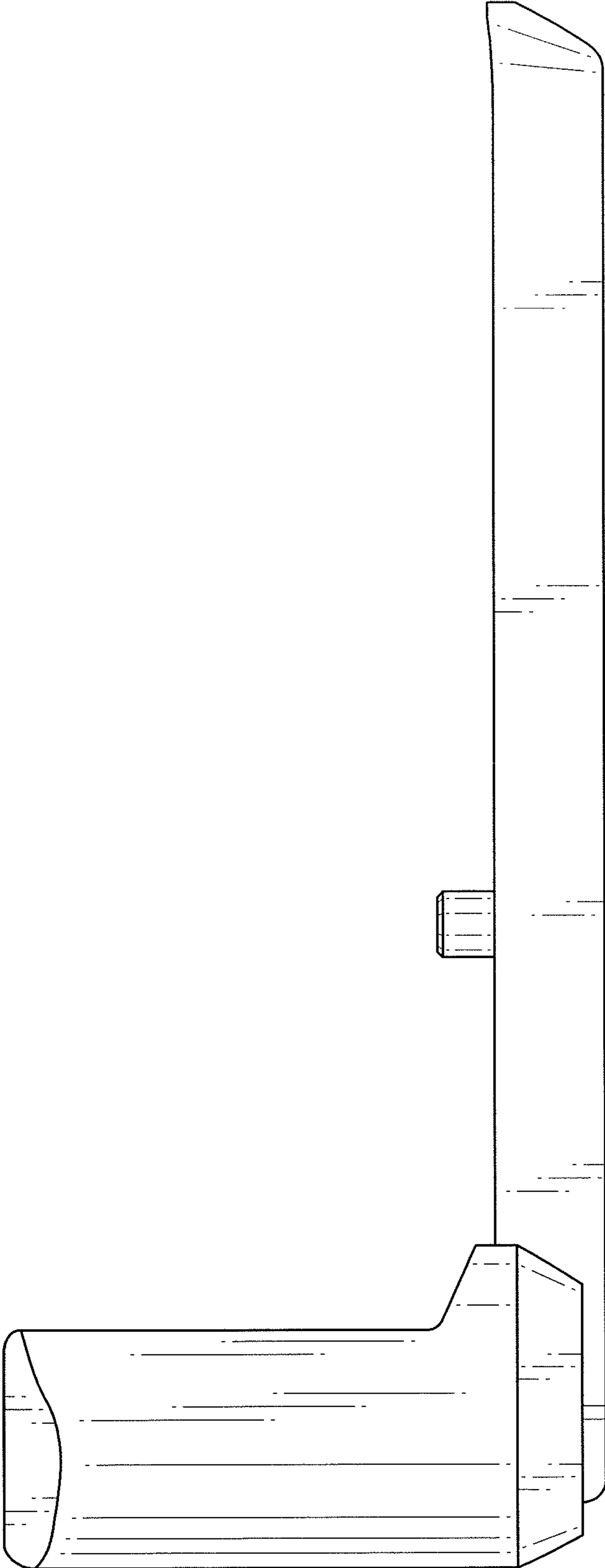


FIG. 3

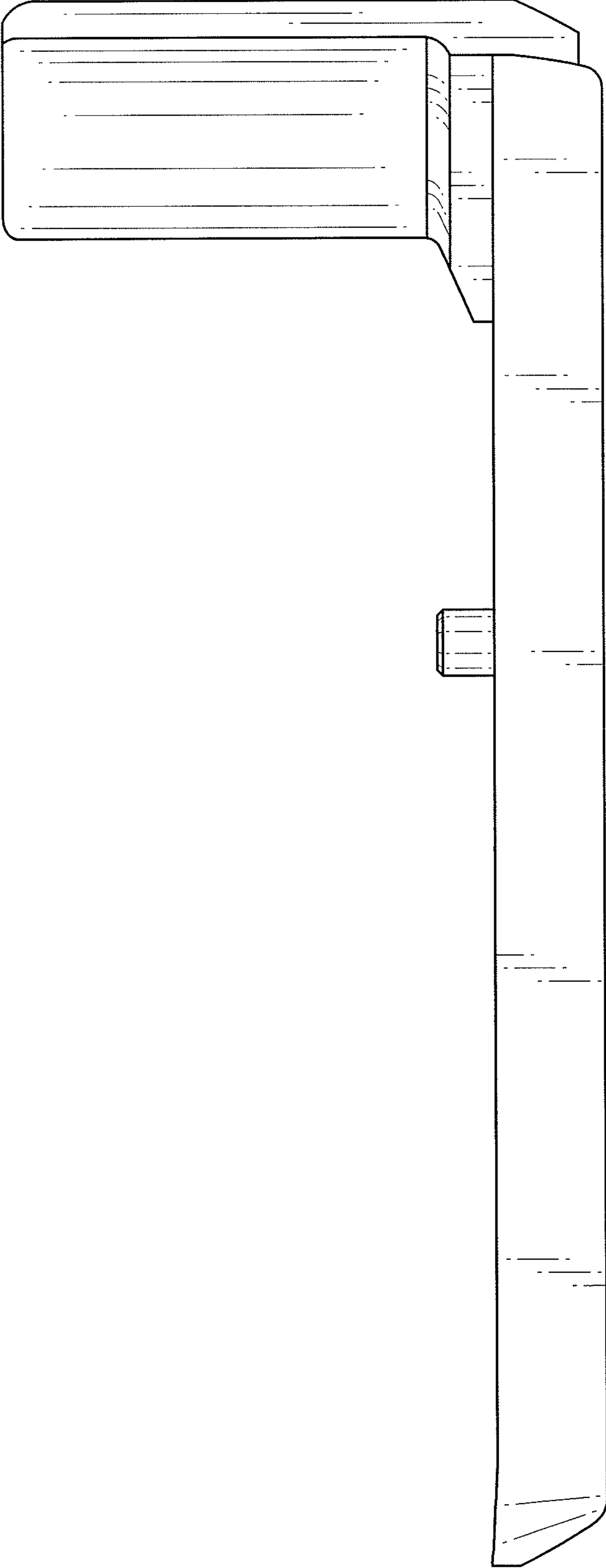


FIG. 4

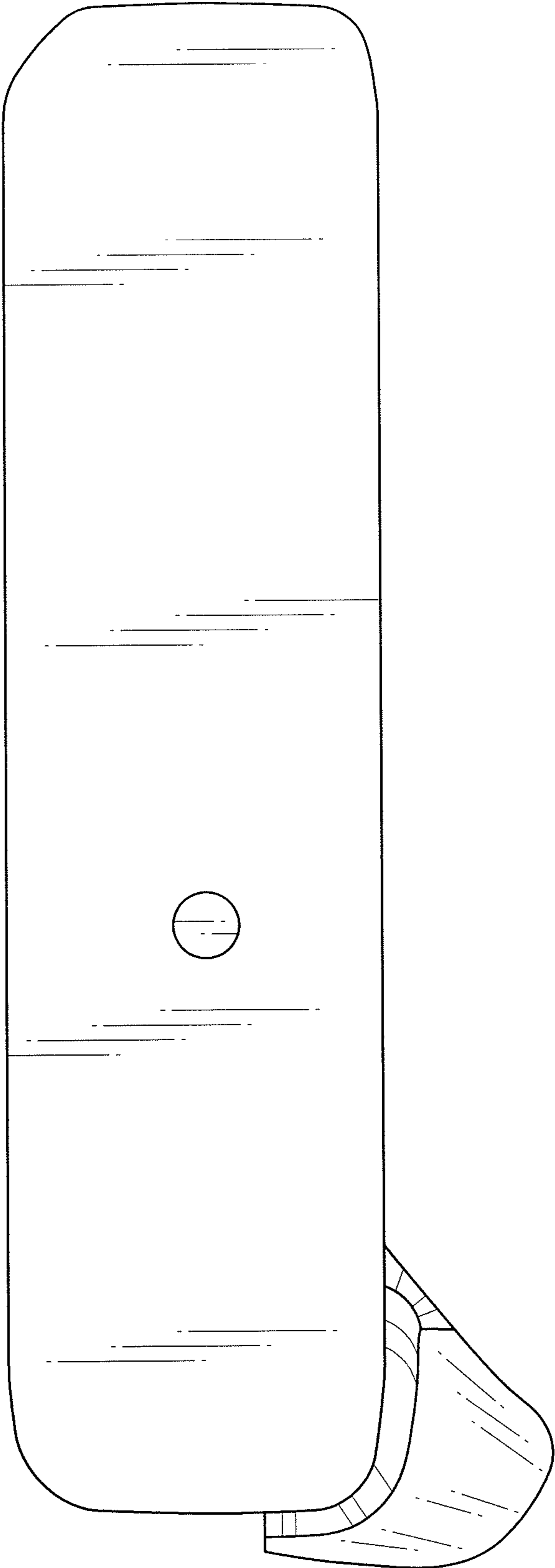


FIG. 5

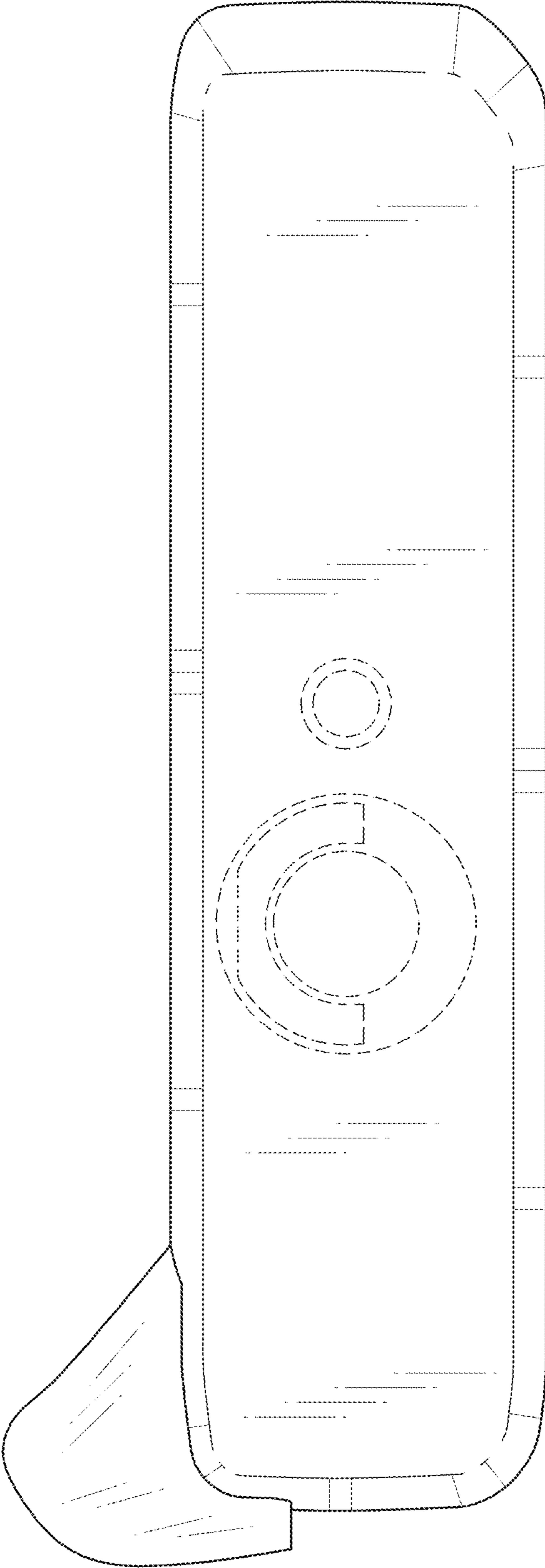


FIG.7

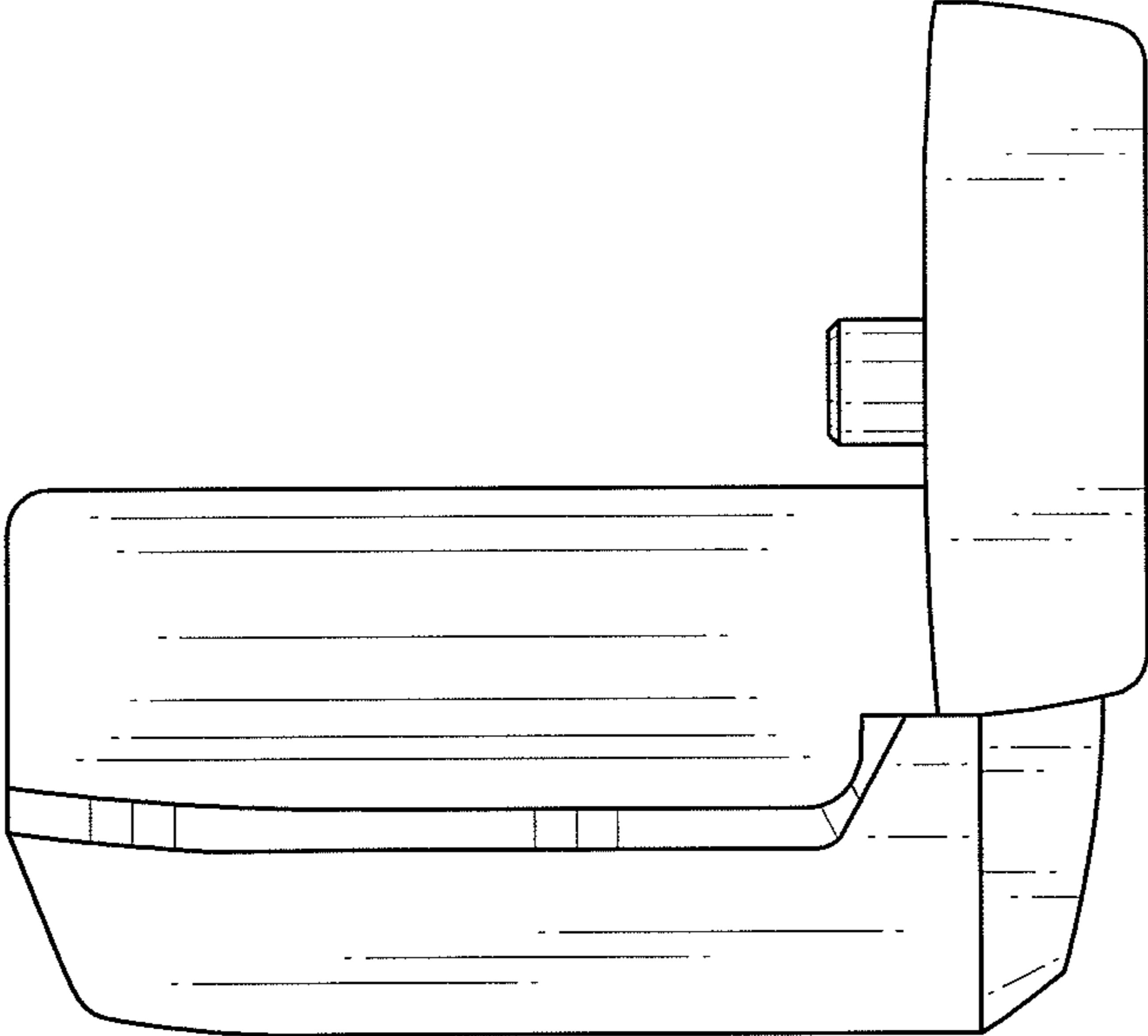


FIG.6

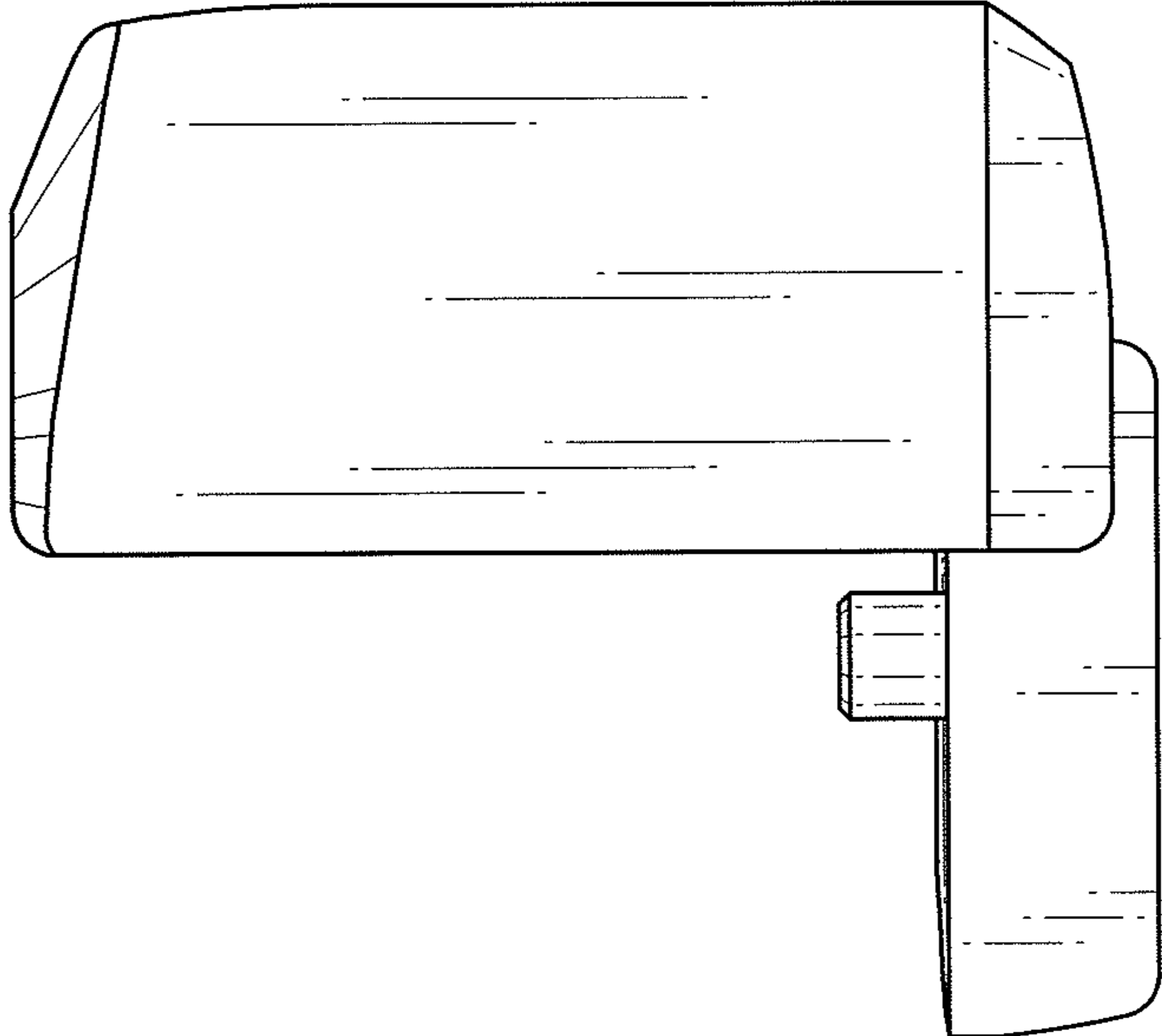


FIG. 8

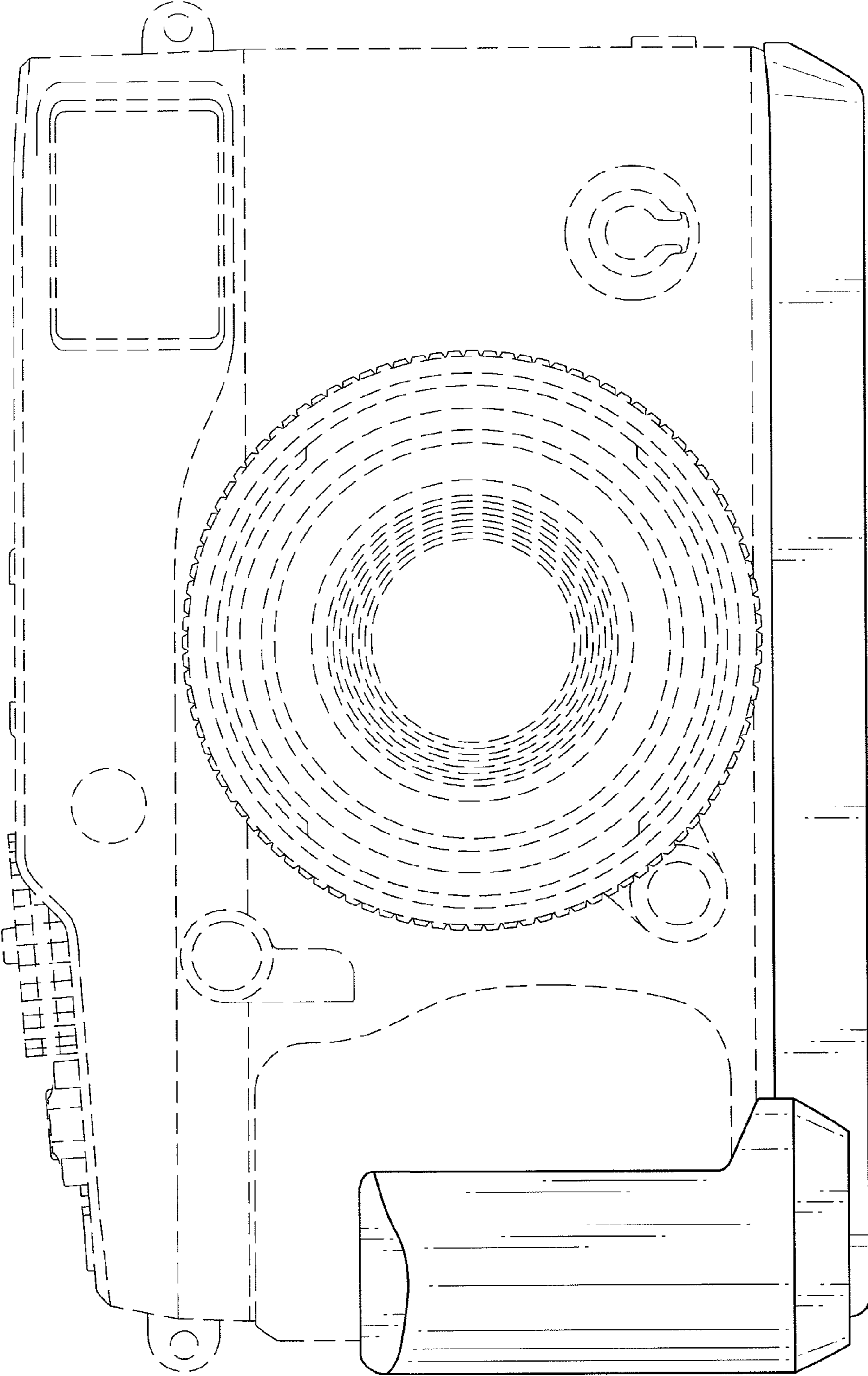


FIG. 9

