



US00D710425S

(12) **United States Design Patent**
Sato

(10) **Patent No.:** **US D710,425 S**
(45) **Date of Patent:** **** Aug. 5, 2014**

(54) **CAMERA BODY**

D662,963 S * 7/2012 Muraki D16/219
D669,927 S * 10/2012 Akita D16/200
D681,710 S * 5/2013 Sato D16/200

(71) Applicant: **Fujifilm Corporation**, Tokyo (JP)

* cited by examiner

(72) Inventor: **Jun Sato**, Saitama (JP)

Primary Examiner — Adir Aronovich

(73) Assignee: **FUJIFILM Corporation**, Tokyo (JP)

(74) *Attorney, Agent, or Firm* — Sughrue Mion, PLLC

(**) Term: **14 Years**

(57) **CLAIM**

(21) Appl. No.: **29/443,337**

The ornamental design for a camera body, as shown and described.

(22) Filed: **Jan. 16, 2013**

DESCRIPTION

(30) **Foreign Application Priority Data**

FIG. 1 is a top, front and right side perspective view of a camera body showing my new design;
FIG. 2 is a front elevational view thereof;
FIG. 3 is a rear elevational view thereof;
FIG. 4 is a top plan view thereof;
FIG. 5 is a bottom plan view thereof;
FIG. 6 is a right side elevational view thereof;
FIG. 7 is a left side elevational view thereof; and,
FIG. 8 is a top, front and right side perspective view thereof in a manner of use.

Sep. 5, 2012 (JP) 2012-021362

(51) **LOC (10) Cl.** **16-05**

(52) **U.S. Cl.**
USPC **D16/219; D16/200**

(58) **Field of Classification Search**
USPC D16/200, 202, 204, 218, 219;
348/373-376; 358/909.1; 396/535, 540
See application file for complete search history.

The broken line portions of the camera body throughout the drawings are shown to illustrate environment only and form no part of the claimed design. The dash-dot broken lines in FIGS. 1, 4, 6, 7, and 8 define the bounds of the claimed design and form no part thereof.

(56) **References Cited**

U.S. PATENT DOCUMENTS

D631,496 S * 1/2011 Tainaka D16/202
D647,552 S * 10/2011 Ogasawara et al. D16/202

1 Claim, 8 Drawing Sheets

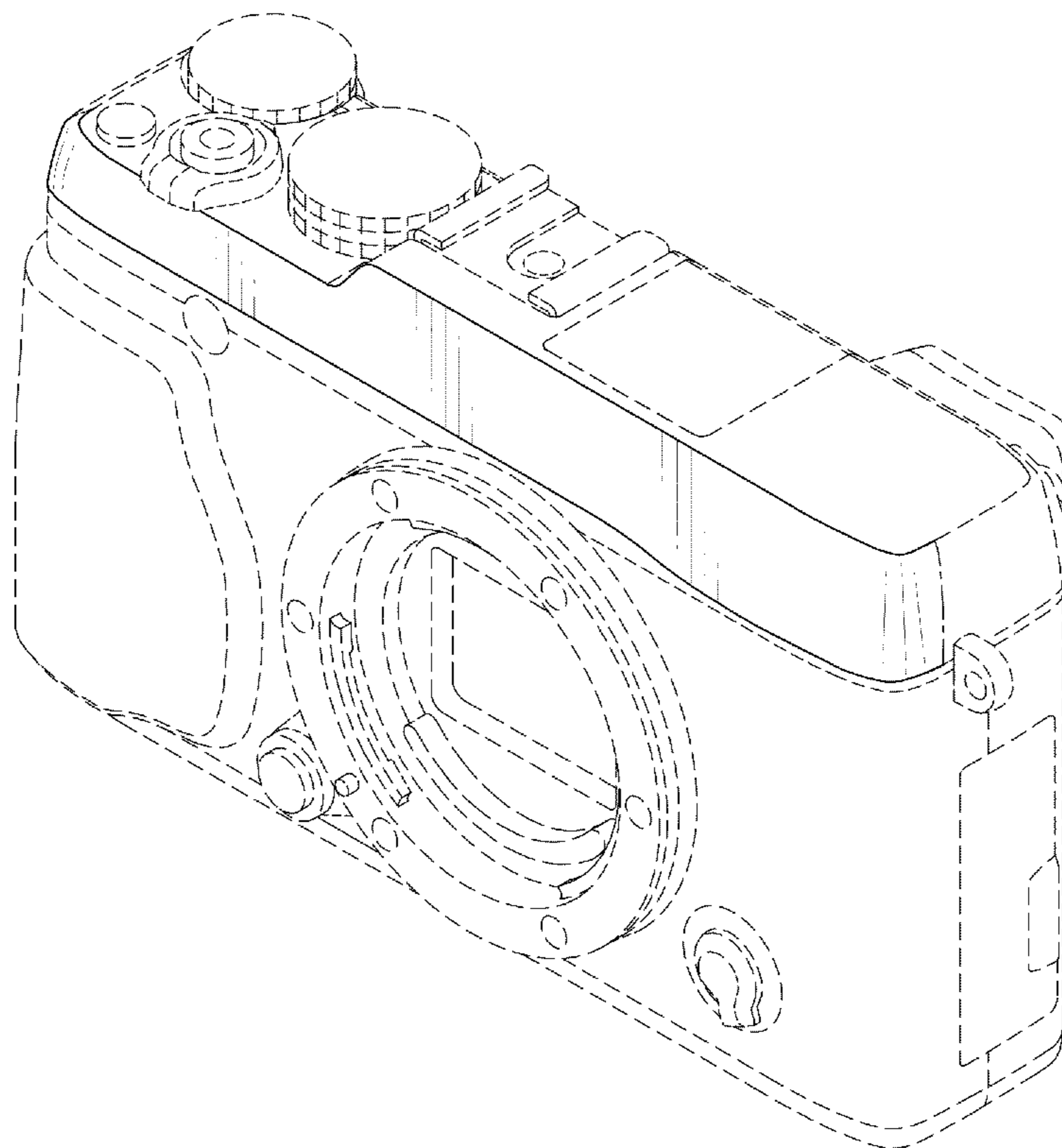


FIG. 1

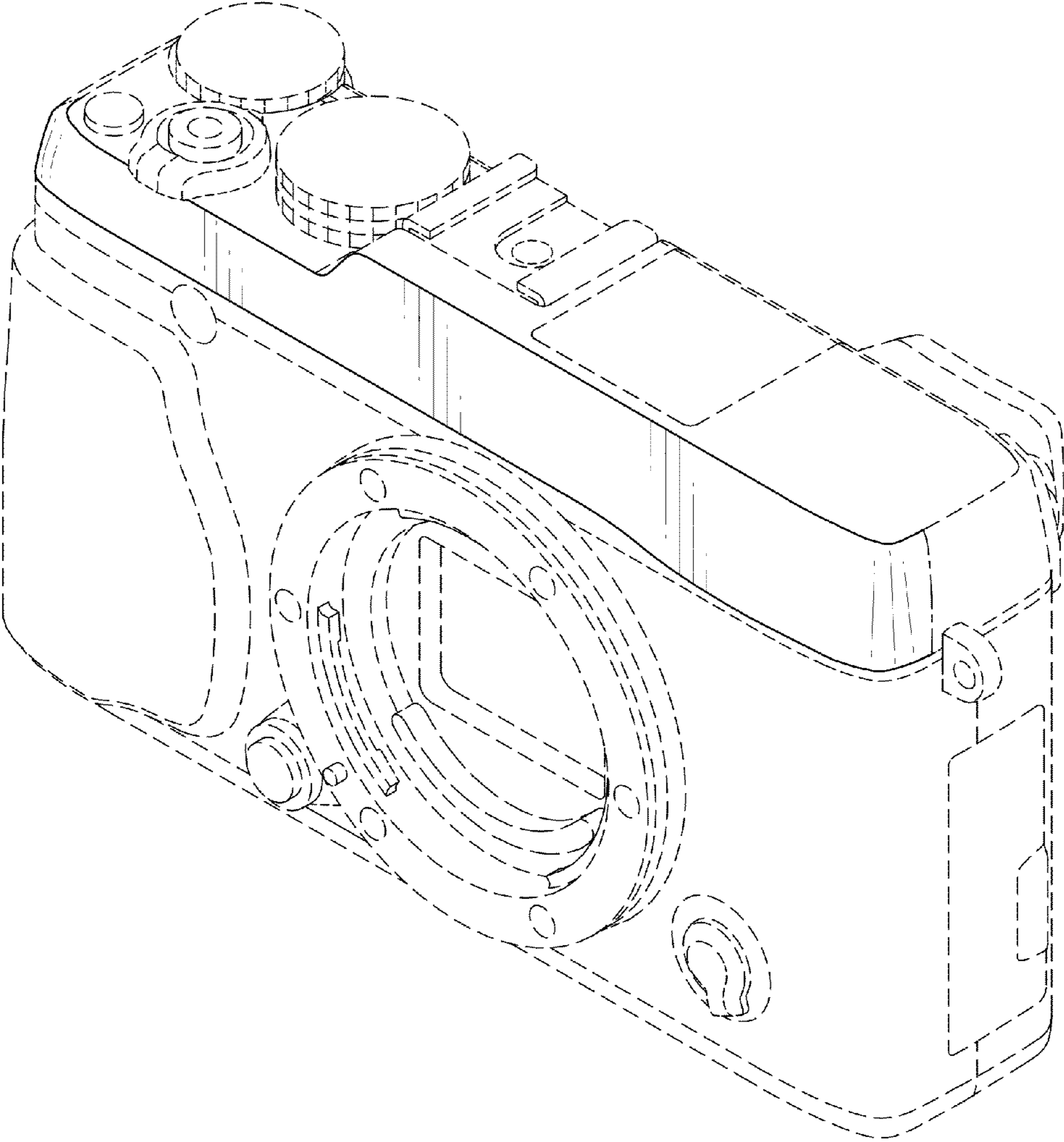


FIG. 2

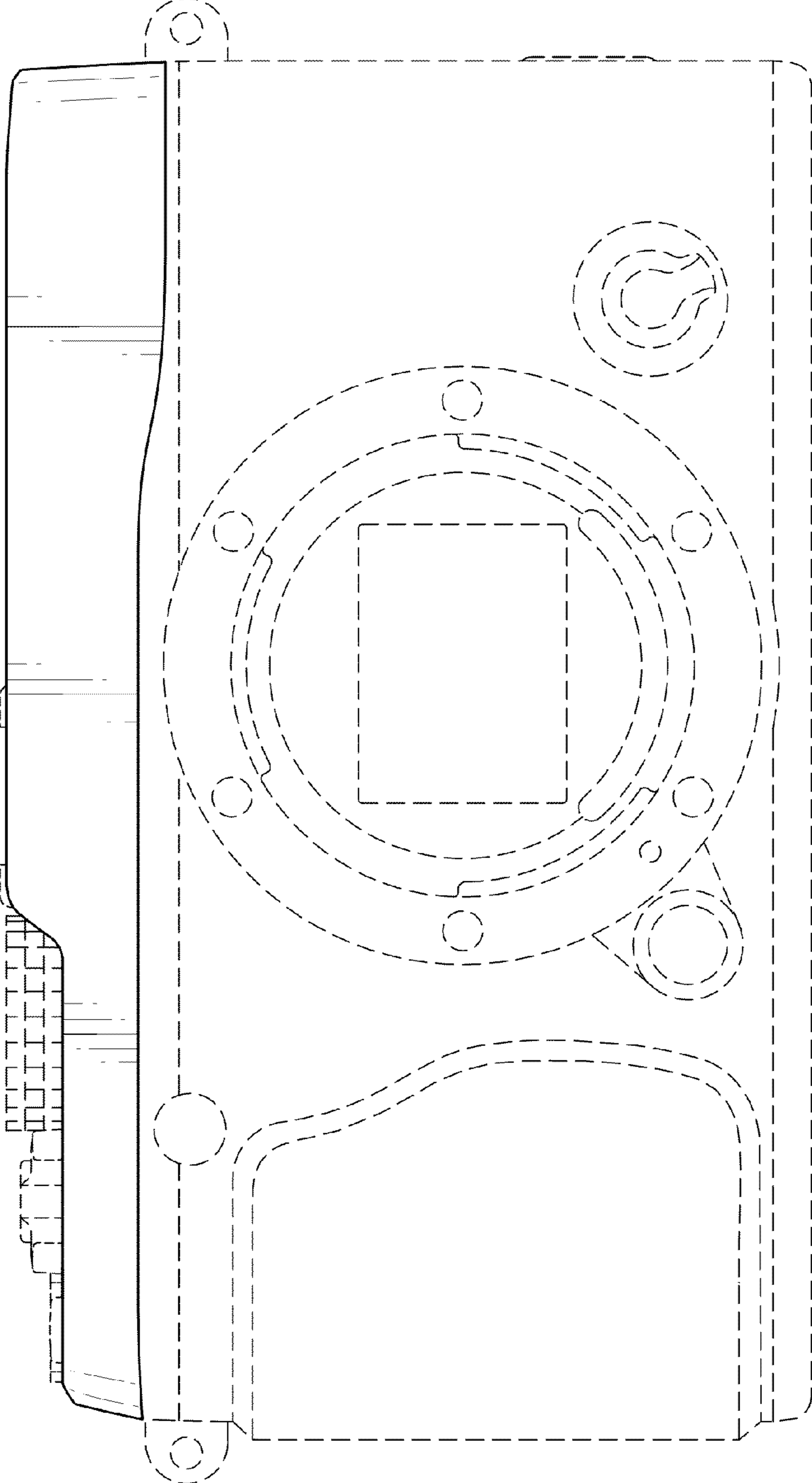


FIG. 3

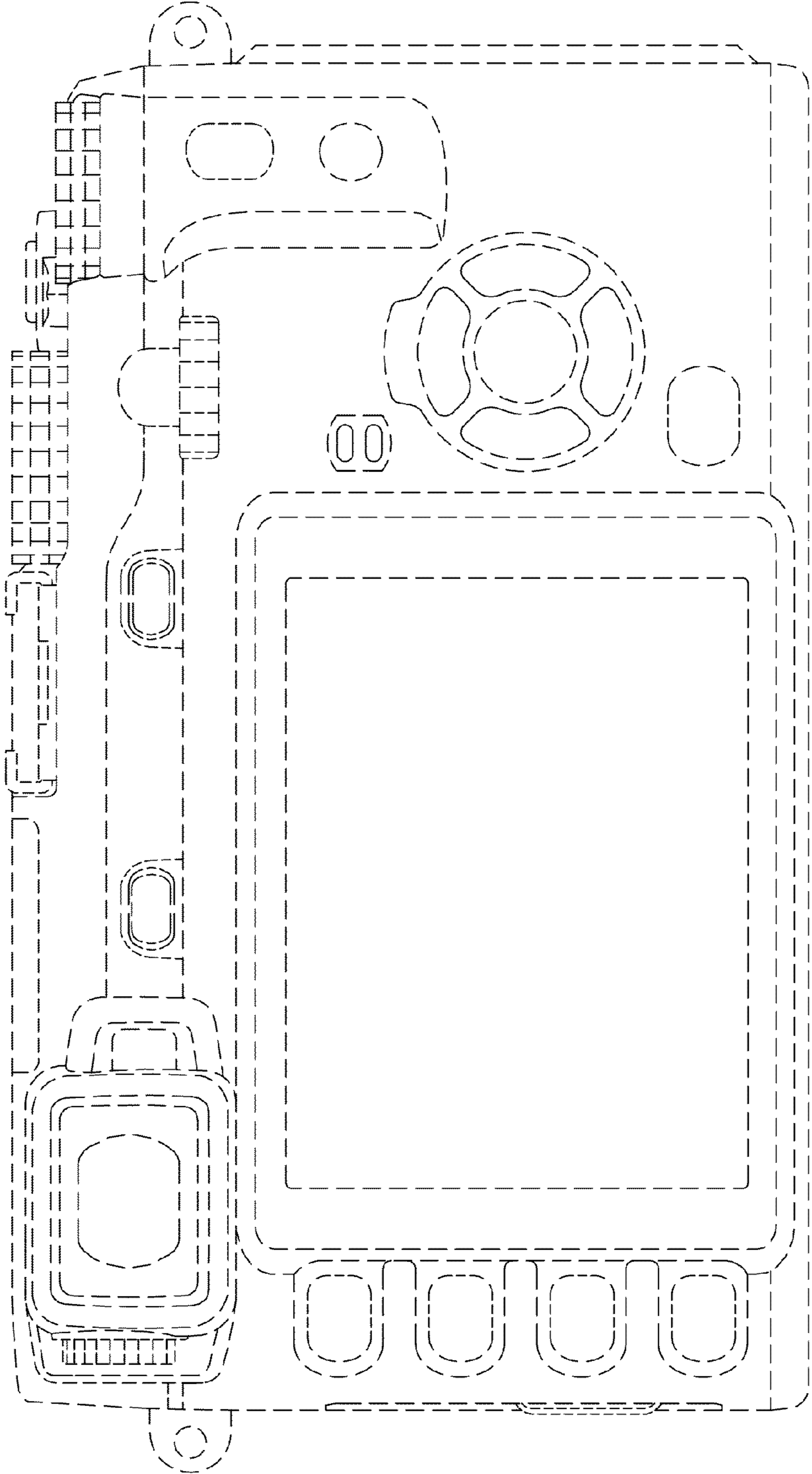


FIG. 4

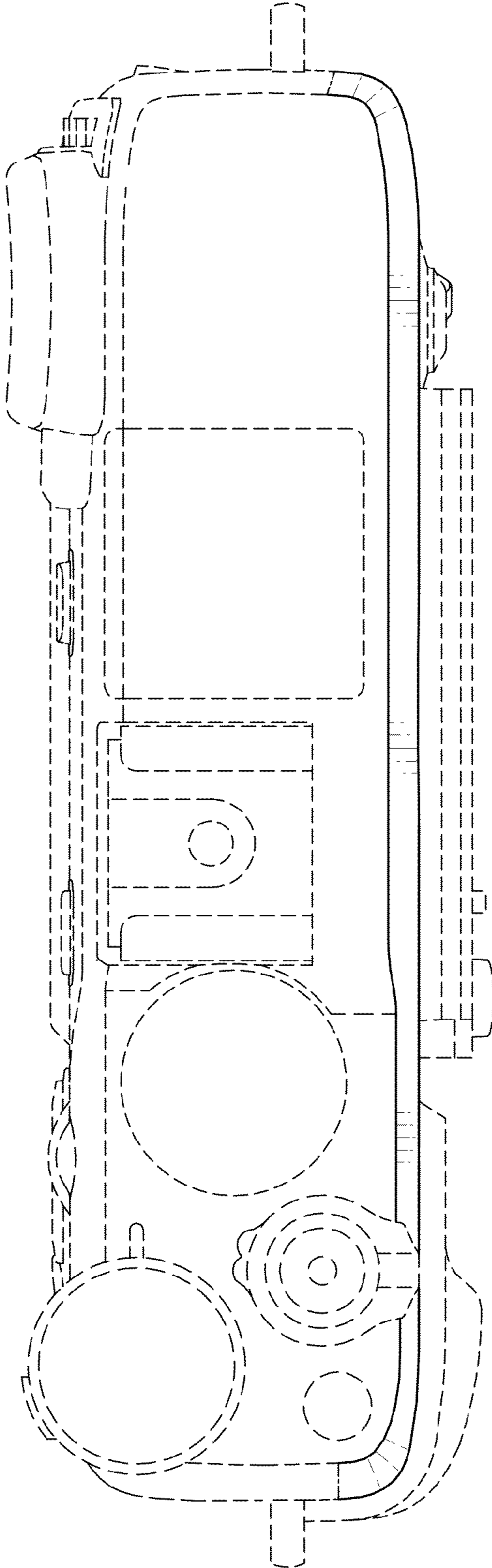


FIG. 5

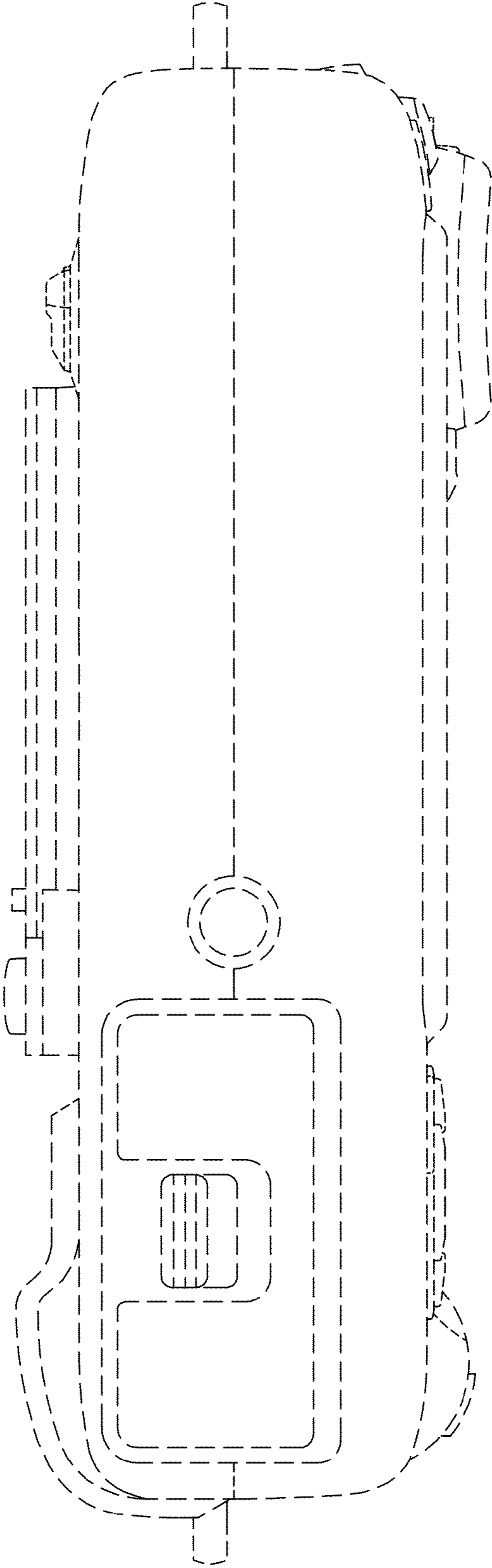


FIG. 6

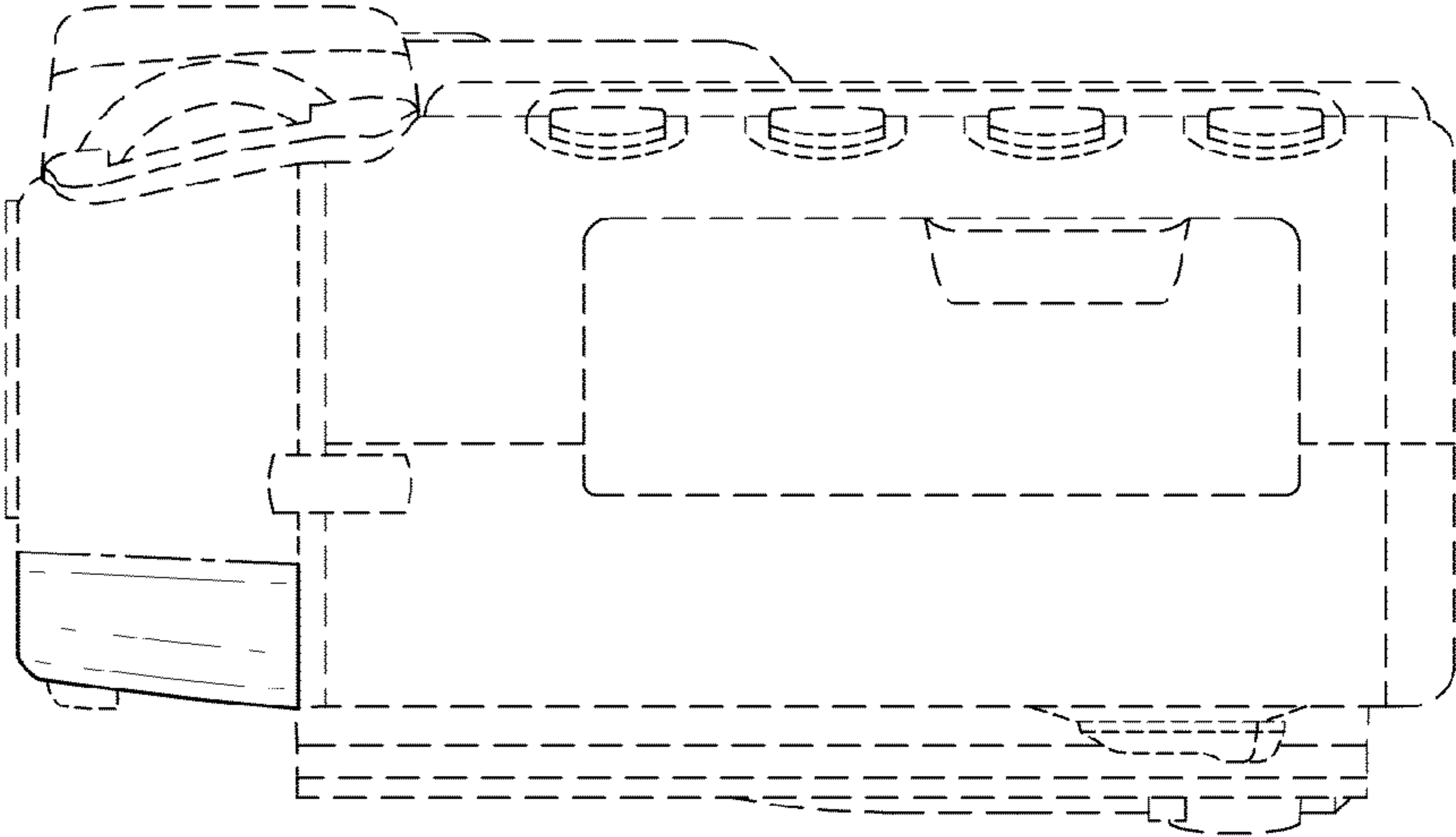


FIG. 7

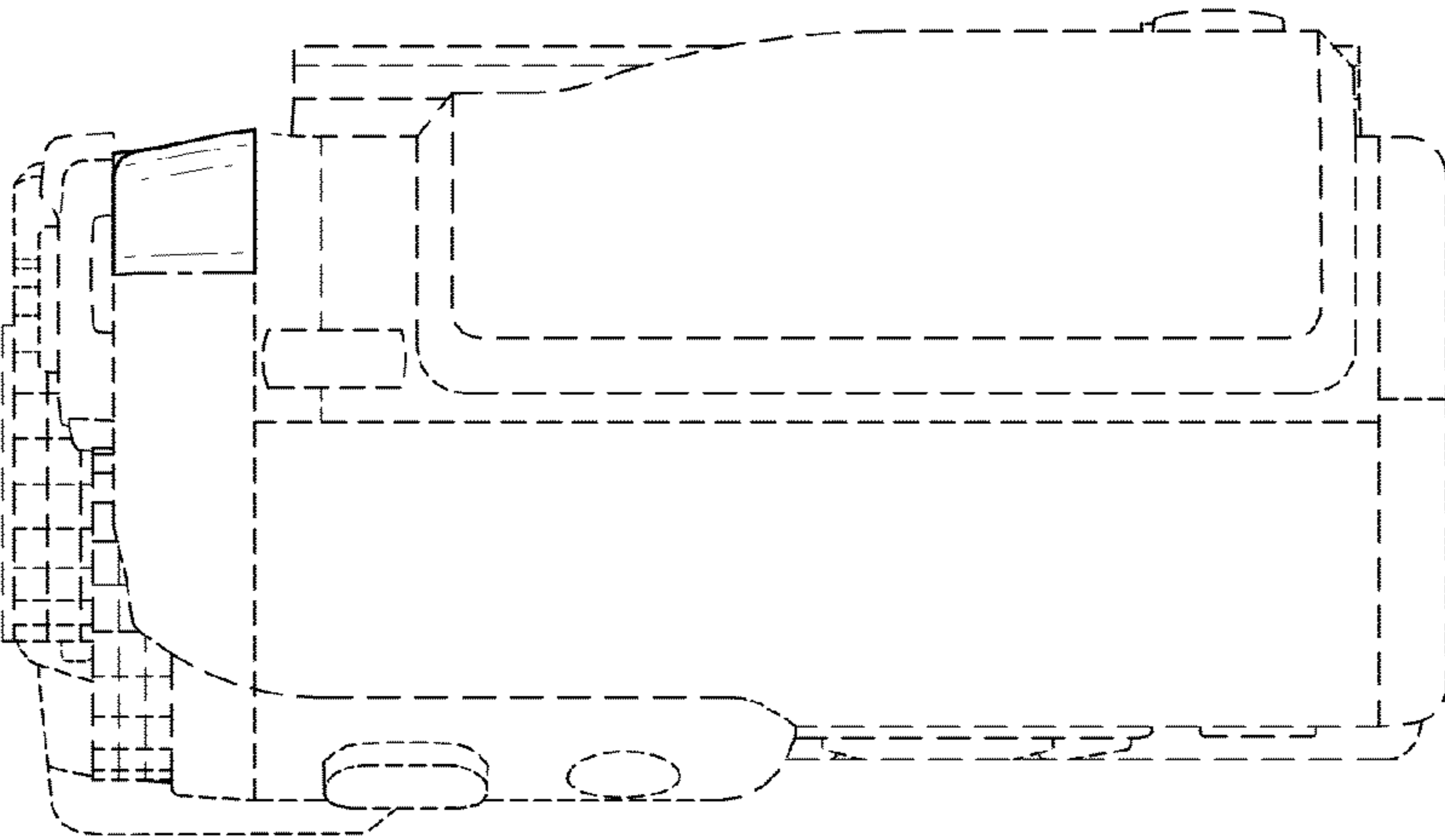


FIG. 8

