



US00D710424S

(12) **United States Design Patent**
Hällgren

(10) **Patent No.:** **US D710,424 S**

(45) **Date of Patent:** **** Aug. 5, 2014**

(54) **CAMERA**

(71) Applicant: **FLIR Systems AB**, Taby (SE)

(72) Inventor: **Tomas Hällgren**, Bromma (SE)

(73) Assignee: **FLIR Systems AB**, Taby (SE)

(**) Term: **14 Years**

(21) Appl. No.: **29/452,317**

(22) Filed: **Apr. 15, 2013**

(51) **LOC (10) Cl.** **16-01**

(52) **U.S. Cl.**

USPC **D16/206**

(58) **Field of Classification Search**

CPC G03B 15/03; G03B 17/02; G03B 17/04;
G03B 17/56; G03B 19/04; H04N 5/2251;
H04N 5/2252; H04N 5/2253; H04N 5/2254;
H04N 2101/00; H04N 5/33; H04N 5/332

USPC D16/200, 202–206, 208, 218, 219, 242;
348/164, 373–376; 396/535, 539–541

See application file for complete search history.

(56) **References Cited**

U.S. PATENT DOCUMENTS

D445,817 S 7/2001 Okuley
D466,540 S * 12/2002 Lannstedt et al. D16/218
D472,911 S 4/2003 Bielefeld
D493,733 S 8/2004 Chen
D540,838 S 4/2007 Aronsson et al.
7,236,243 B2 6/2007 Beecroft et al.
7,250,603 B1 7/2007 Nugent

D585,927 S * 2/2009 Sheard et al. D16/206
D599,392 S * 9/2009 Hamrelius D16/206
D658,222 S 4/2012 Elrod et al.
D665,440 S 8/2012 Sigward
D667,040 S * 9/2012 Holmes D16/206
D677,298 S 3/2013 Hällgren
D679,307 S * 4/2013 Wu D16/202
2014/0002668 A1 * 1/2014 Nguyen et al. 348/164
2014/0028854 A1 * 1/2014 Heinke et al. 348/164

* cited by examiner

Primary Examiner — Adir Aronovich

Assistant Examiner — Ramzi Almatrahi

(74) *Attorney, Agent, or Firm* — Haynes and Boone, LLP

(57) **CLAIM**

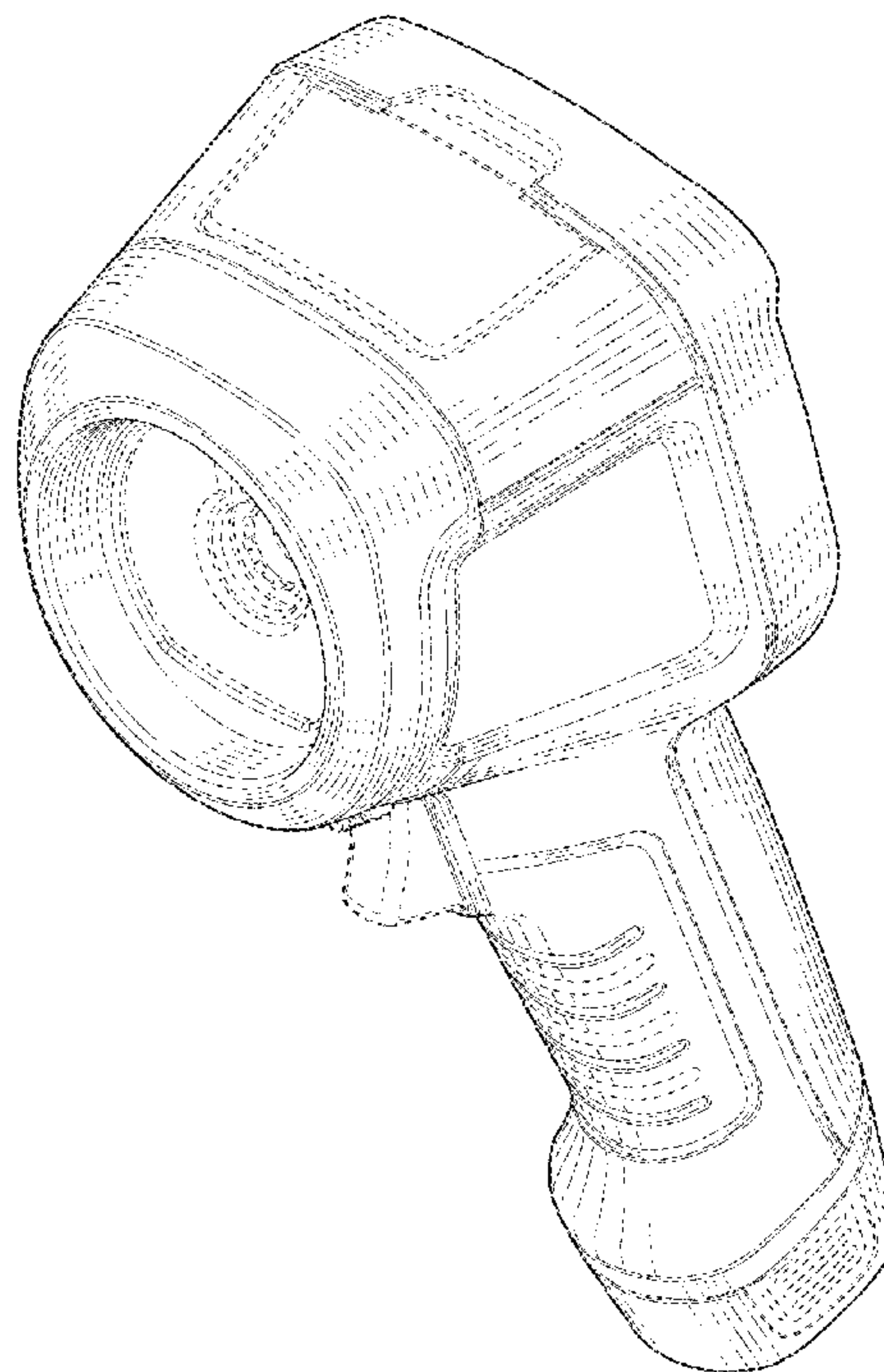
The ornamental design for a camera, as shown and described.

DESCRIPTION

FIG. 1 is a top-left-front perspective view of a camera embodying our new design;
FIG. 2 is a left side elevational view thereof;
FIG. 3 is a right side elevational view thereof;
FIG. 4 is a rear elevational view thereof;
FIG. 5 is a bottom plan view thereof;
FIG. 6 is a front elevational view thereof; and,
FIG. 7 is a top plan view thereof.

The broken line portions of the camera in which the design is embodied are shown for illustration only and form no part of the claimed design.

1 Claim, 7 Drawing Sheets



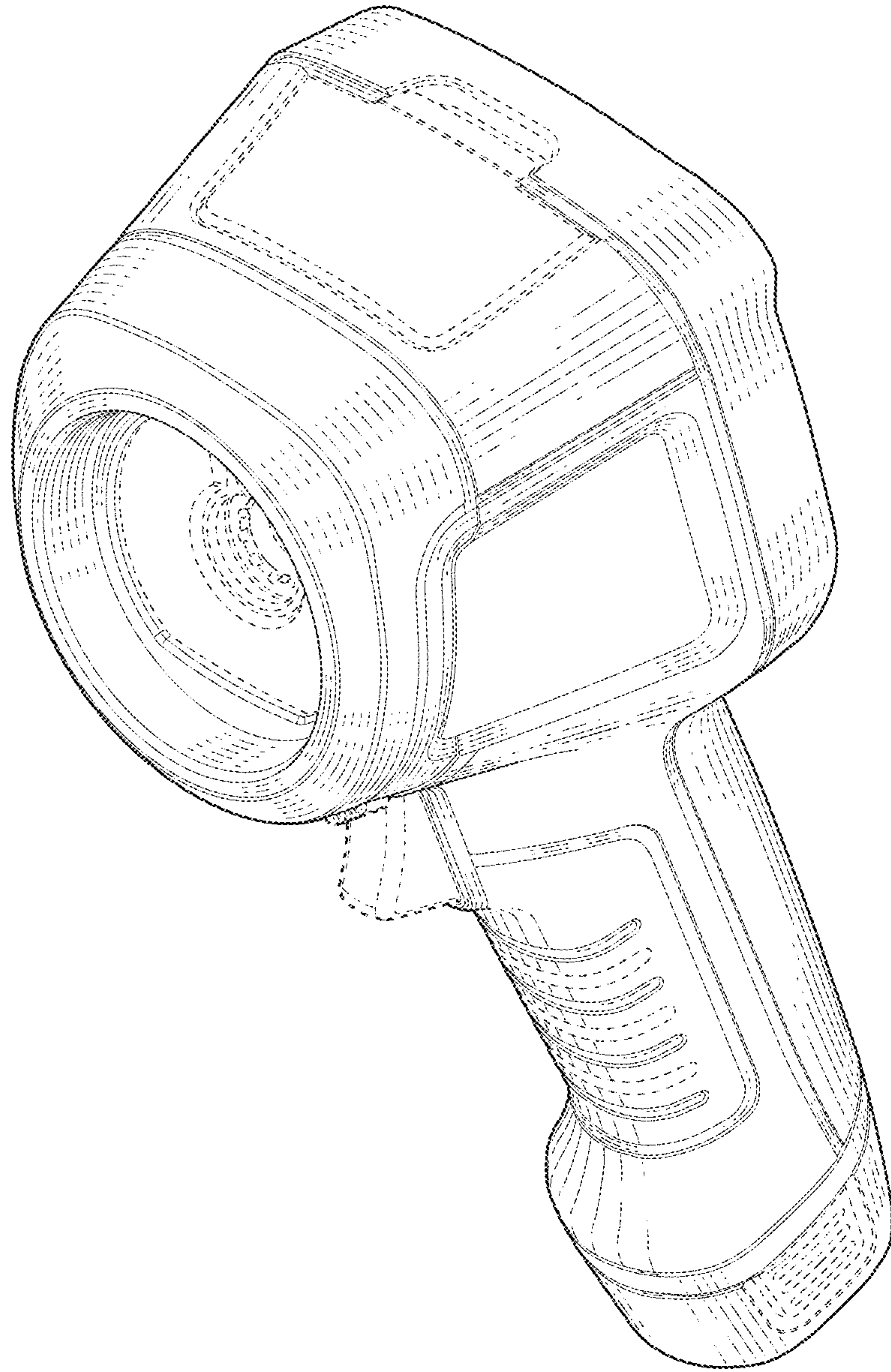


Fig.1

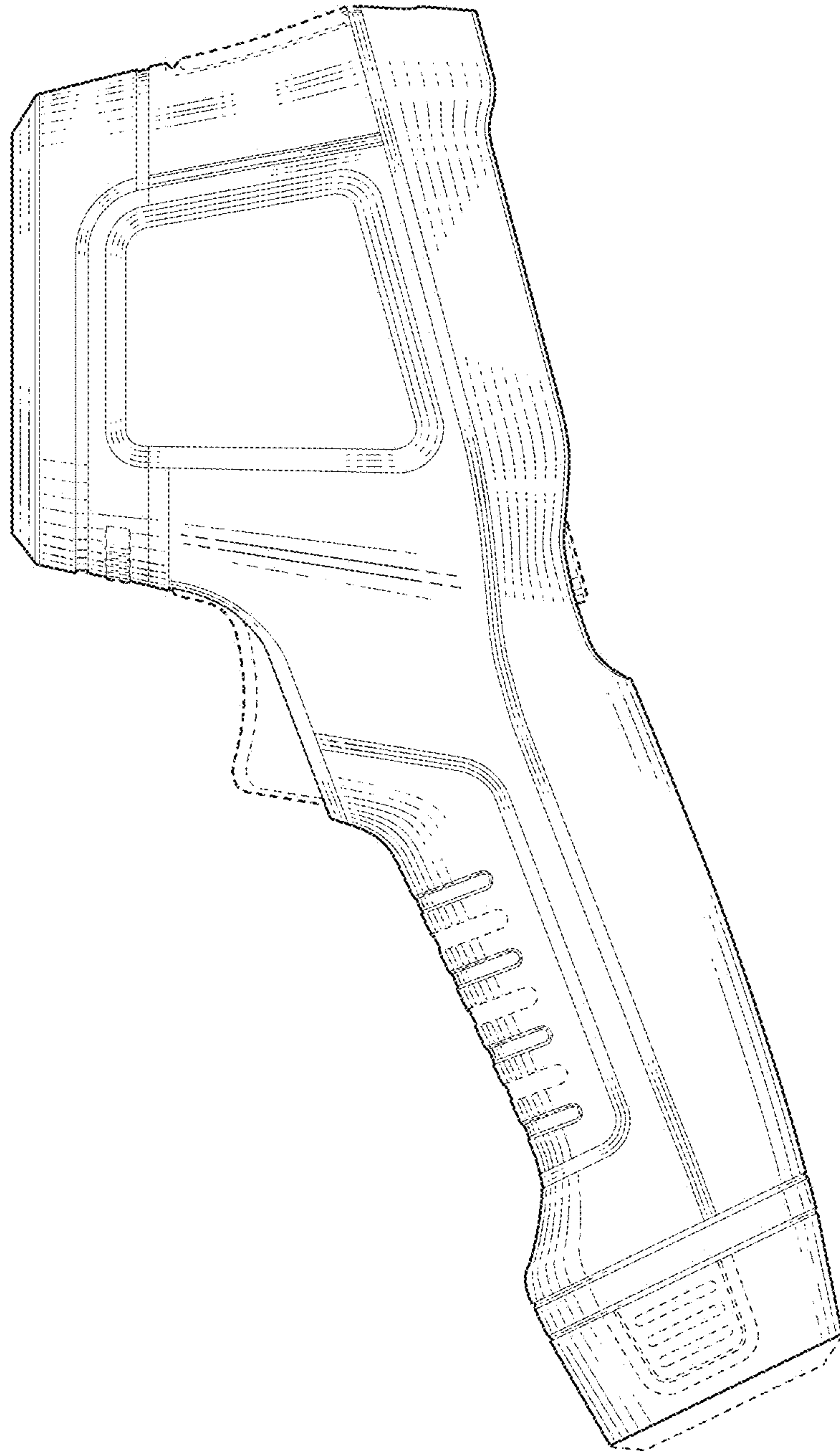


Fig.2

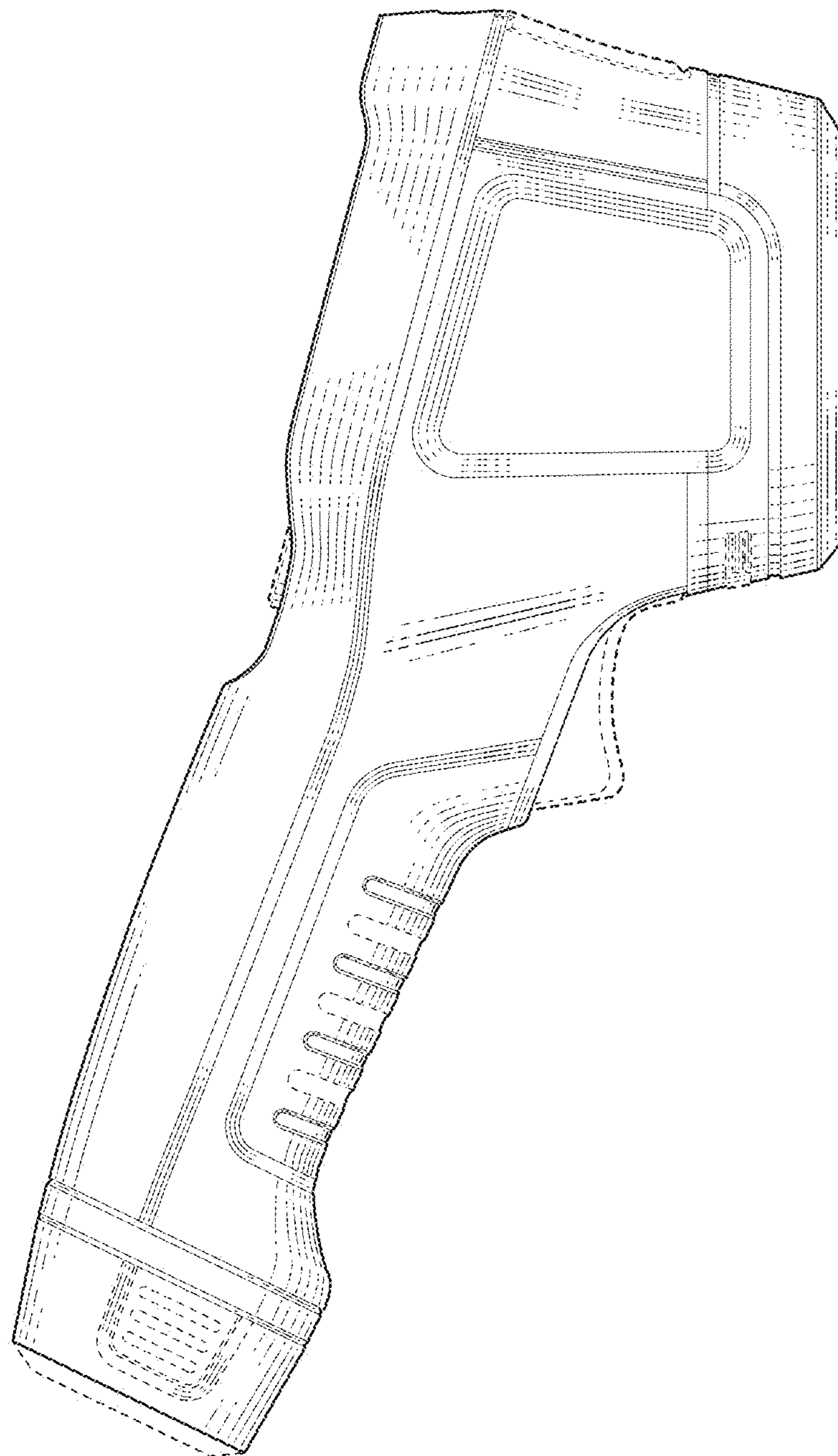


Fig.3

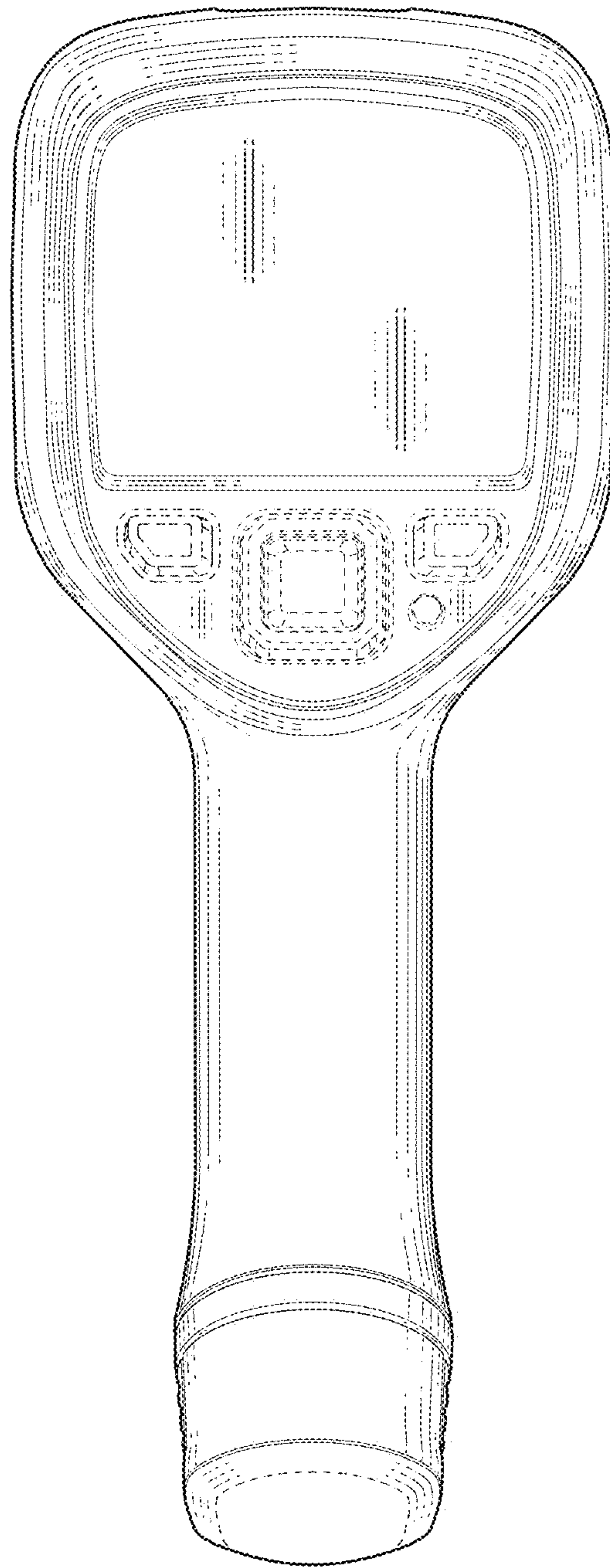


Fig.4

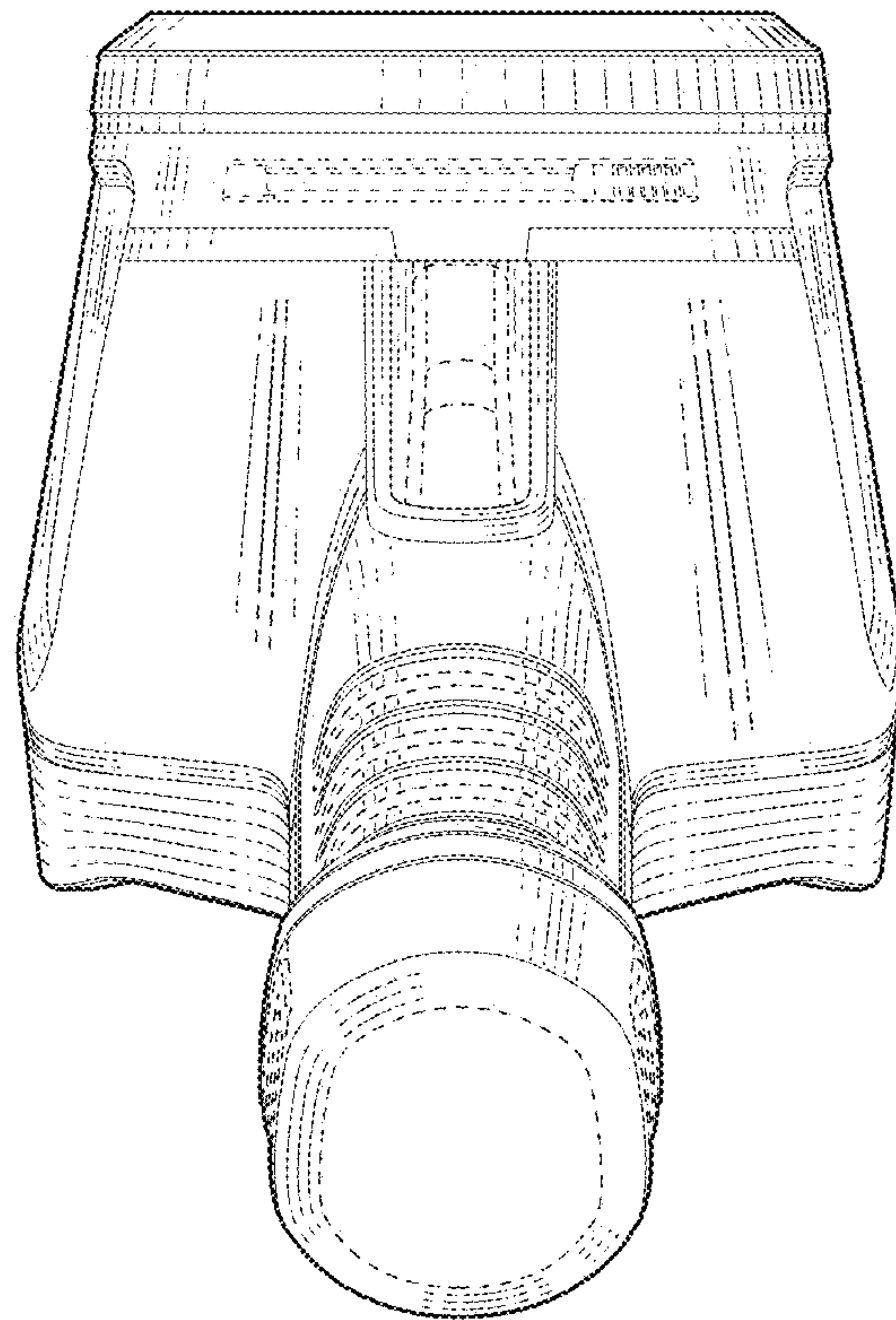


Fig.5

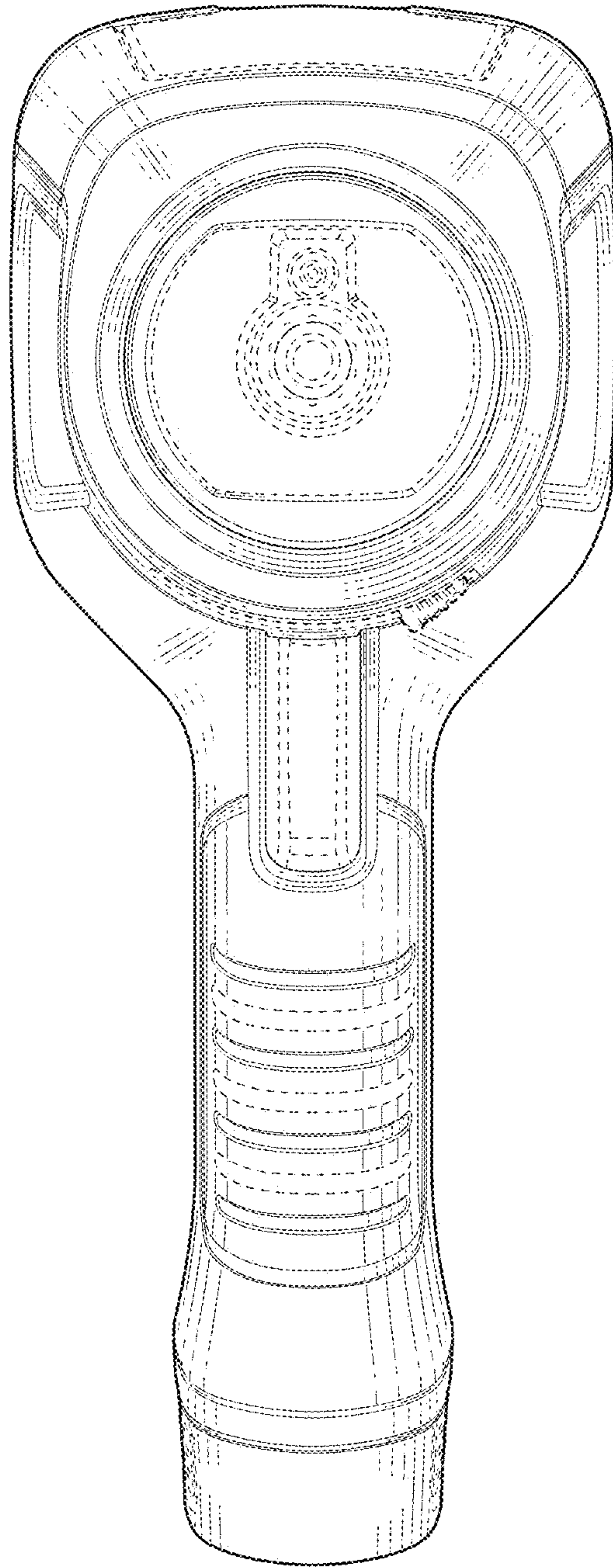


Fig.6

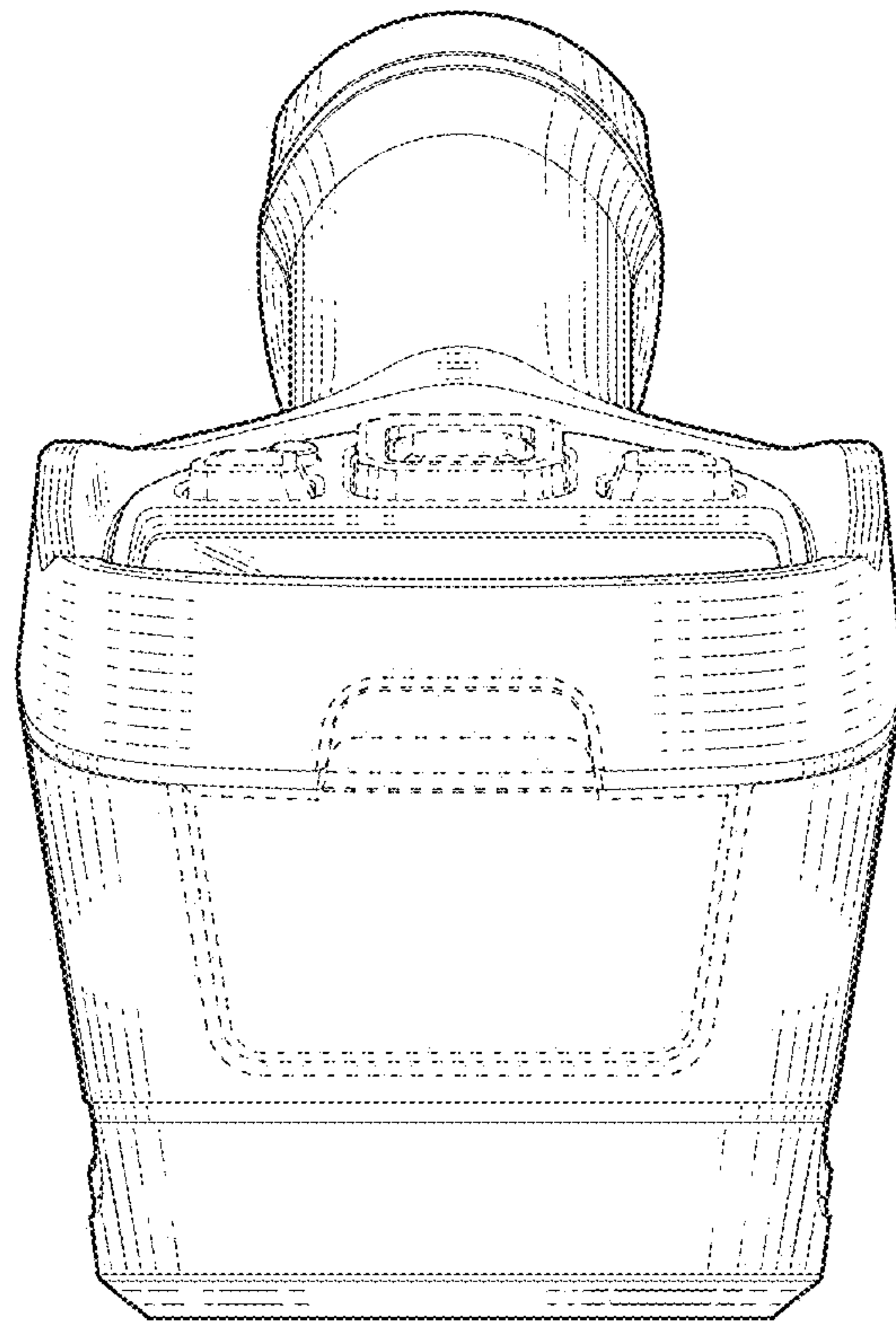


Fig.7