



US00D710423S

(12) **United States Design Patent**
Teppan et al.

(10) **Patent No.:** **US D710,423 S**

(45) **Date of Patent:** **** Aug. 5, 2014**

(54) **CAMERA**

(71) Applicant: **Cisco Technology, Inc.**, San Jose, CA (US)

(72) Inventors: **Knut Helge Teppan**, Asker (NO); **Andre Lyngra**, Oslo (NO); **Bjorn Saunes**, Oslo (NO); **Eva Marit Toftum**, Oslo (NO)

(73) Assignee: **Cisco Technology, Inc.**, San Jose, CA (US)

(**) Term: **14 Years**

(21) Appl. No.: **29/449,894**

(22) Filed: **Mar. 15, 2013**

(51) **LOC (10) Cl.** **16-01**

(52) **U.S. Cl.**
USPC **D16/202**

(58) **Field of Classification Search**

CPC G03B 17/02; G03B 19/04; G03B 17/56; G03B 17/04; G03B 15/03; H04N 5/2251; H04N 5/2252; H04N 5/2253; H04N 5/2254; H04N 2101/00; H04N 2007/145; H04N 7/141; H04N 7/142; H04N 7/147; H04N 7/148; H04N 7/15; H04N 7/152; H04N 7/181; H04N 7/183; H04N 7/18; G08B 13/1963; G08B 13/19619; G08B 13/19632; F16M 11/04; F16M 13/00
USPC D16/200, 202–204, 206–208, 218, 219, D16/242; 248/187.1; 348/14.01–14.6, 143, 348/148, 151, 373–376; 396/419, 427, 428, 396/535, 539–541

See application file for complete search history.

(56) **References Cited**

U.S. PATENT DOCUMENTS

5,949,474 A *	9/1999	Gerszberg et al.	348/14.01
D510,374 S *	10/2005	Greenwood et al.	D16/203
D571,839 S *	6/2008	Andresen	D16/202
D616,007 S *	5/2010	Teppan et al.	D16/203
D627,811 S *	11/2010	Andresen et al.	D16/202
D636,421 S *	4/2011	Sagen et al.	D16/202
D656,531 S *	3/2012	Ahn et al.	D16/202
D660,339 S *	5/2012	Yoshida	D16/202
D696,329 S *	12/2013	Horiki et al.	D16/203

* cited by examiner

Primary Examiner — Philip S Hyder

Assistant Examiner — Ramzi Almatrahi

(74) *Attorney, Agent, or Firm* — Oblon, Spivak, McClelland, Maier & Neustadt, L.L.P.

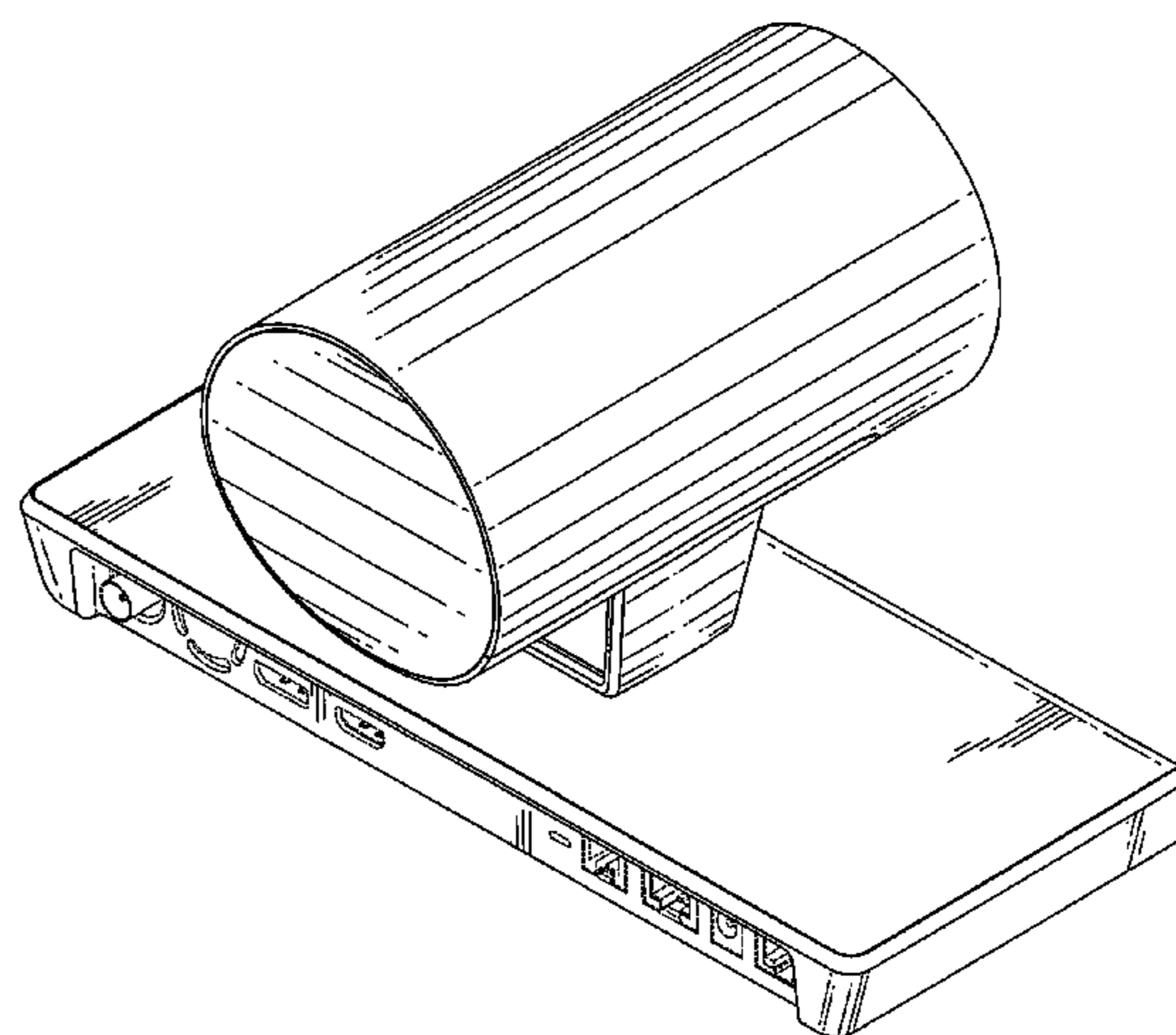
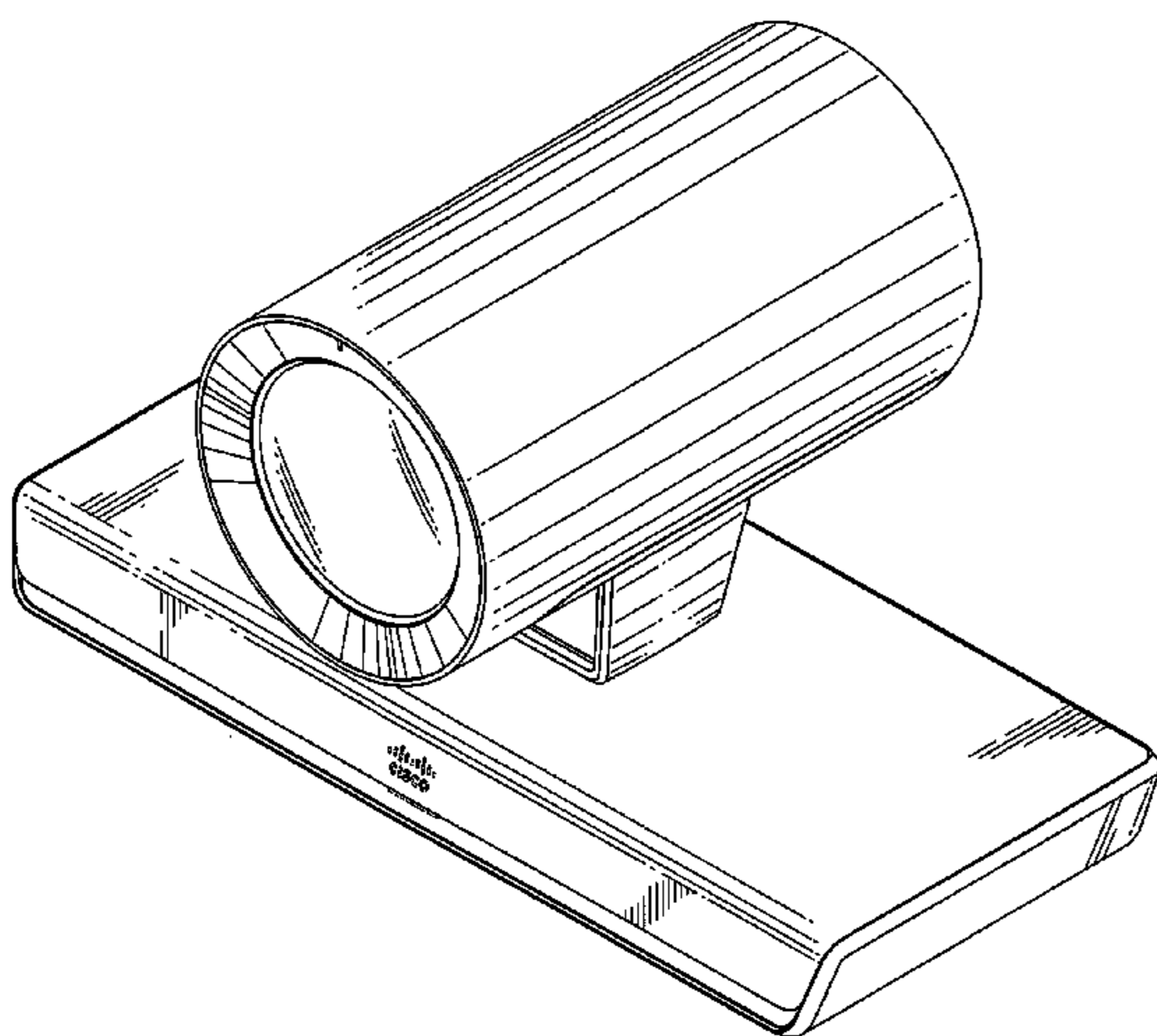
(57) **CLAIM**

The ornamental design for a camera, as shown and described.

DESCRIPTION

FIG. 1 is a front elevational view of a camera;
FIG. 2 is a rear elevational view thereof;
FIG. 3 is a right side elevational view thereof, the left side elevational view being a mirror image of the right side elevational view shown;
FIG. 4 is a top plan view thereof;
FIG. 5 is a bottom plan view thereof;
FIG. 6 is a front, top, and right side perspective view thereof; and,
FIG. 7 is a rear, top, and left side perspective view thereof.
The broken lines in the drawings depict environmental subject matter only and form no part of the claimed design.

1 Claim, 7 Drawing Sheets



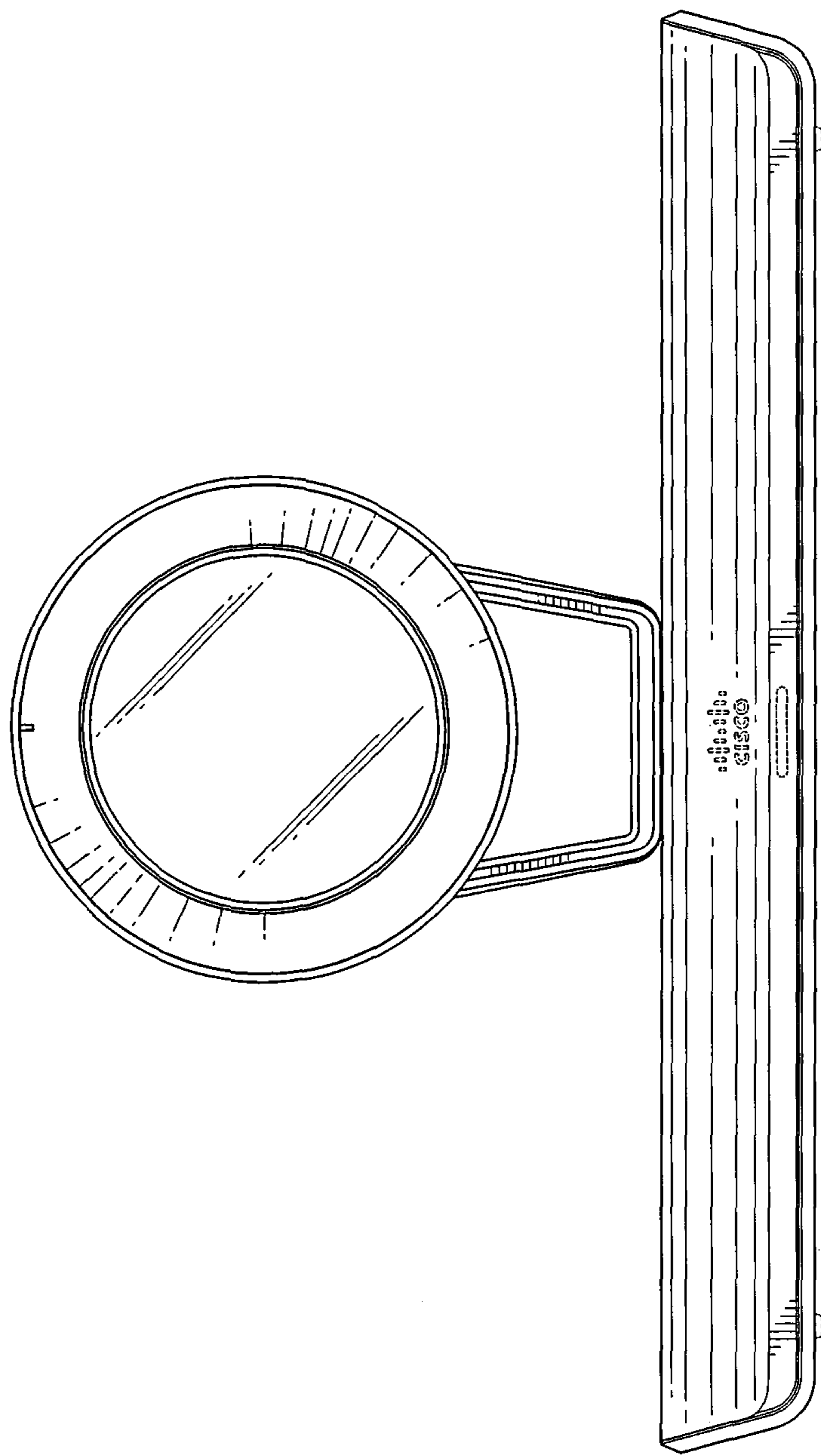


Fig. 1

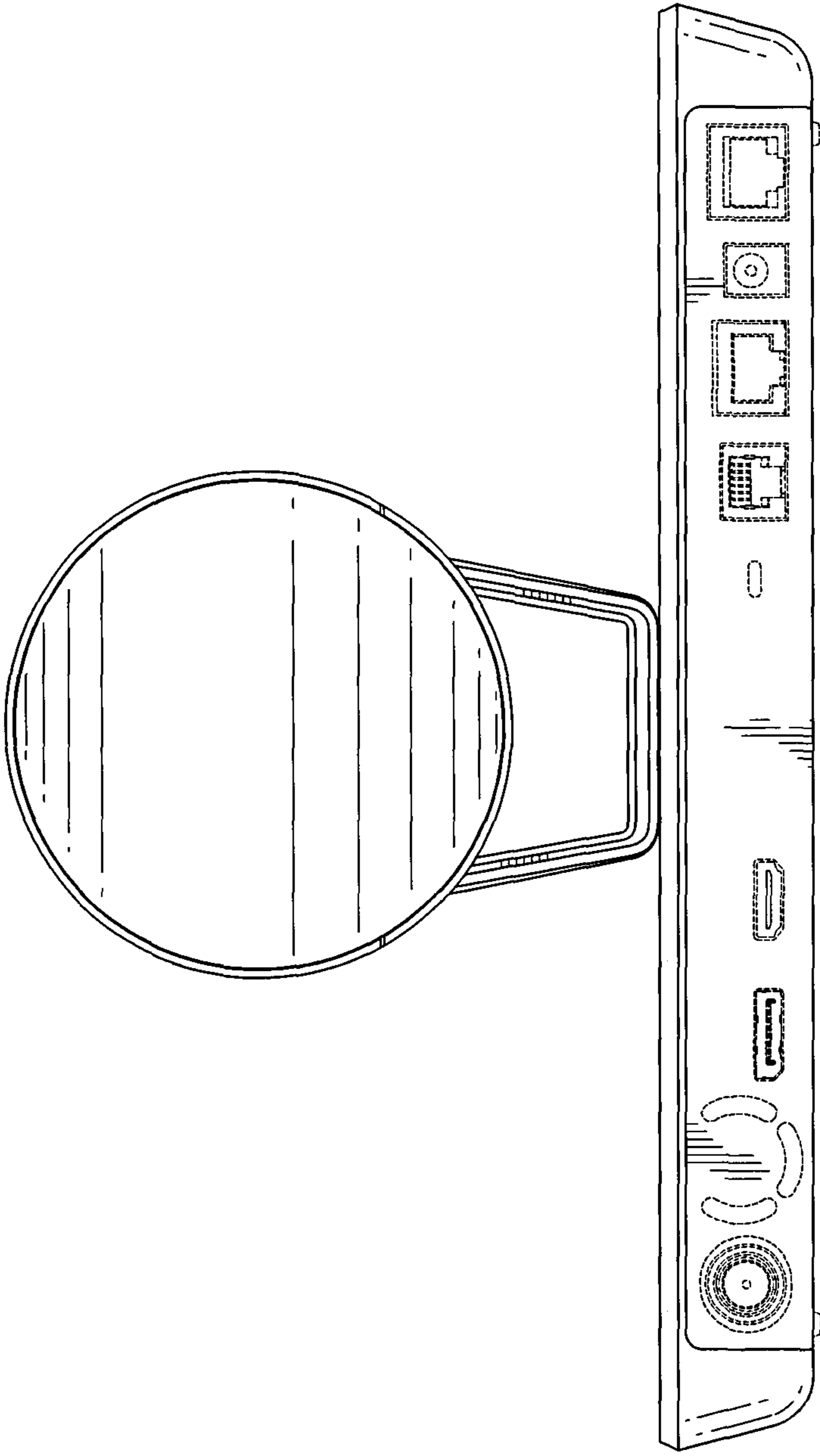


Fig. 2

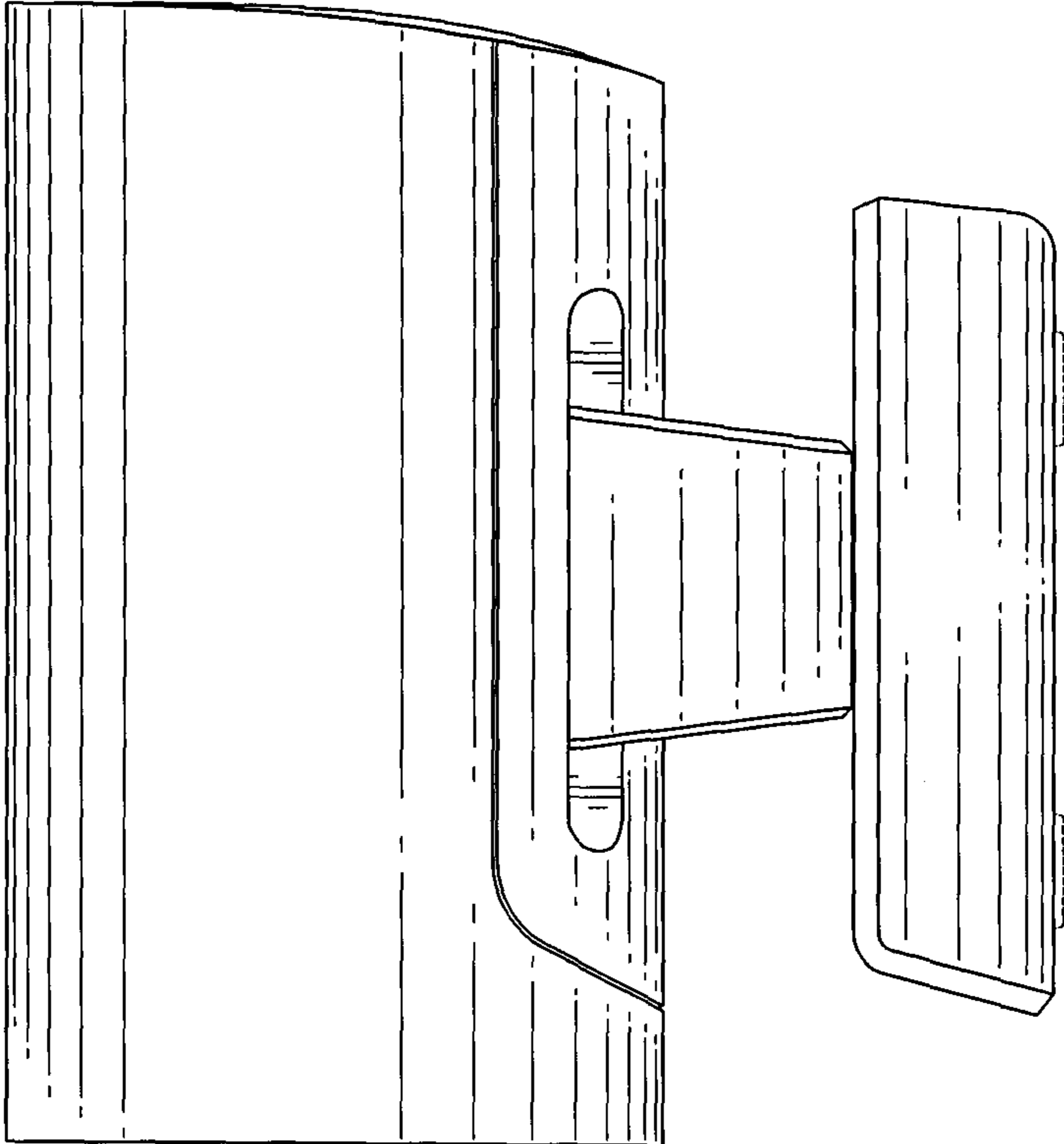


Fig. 3

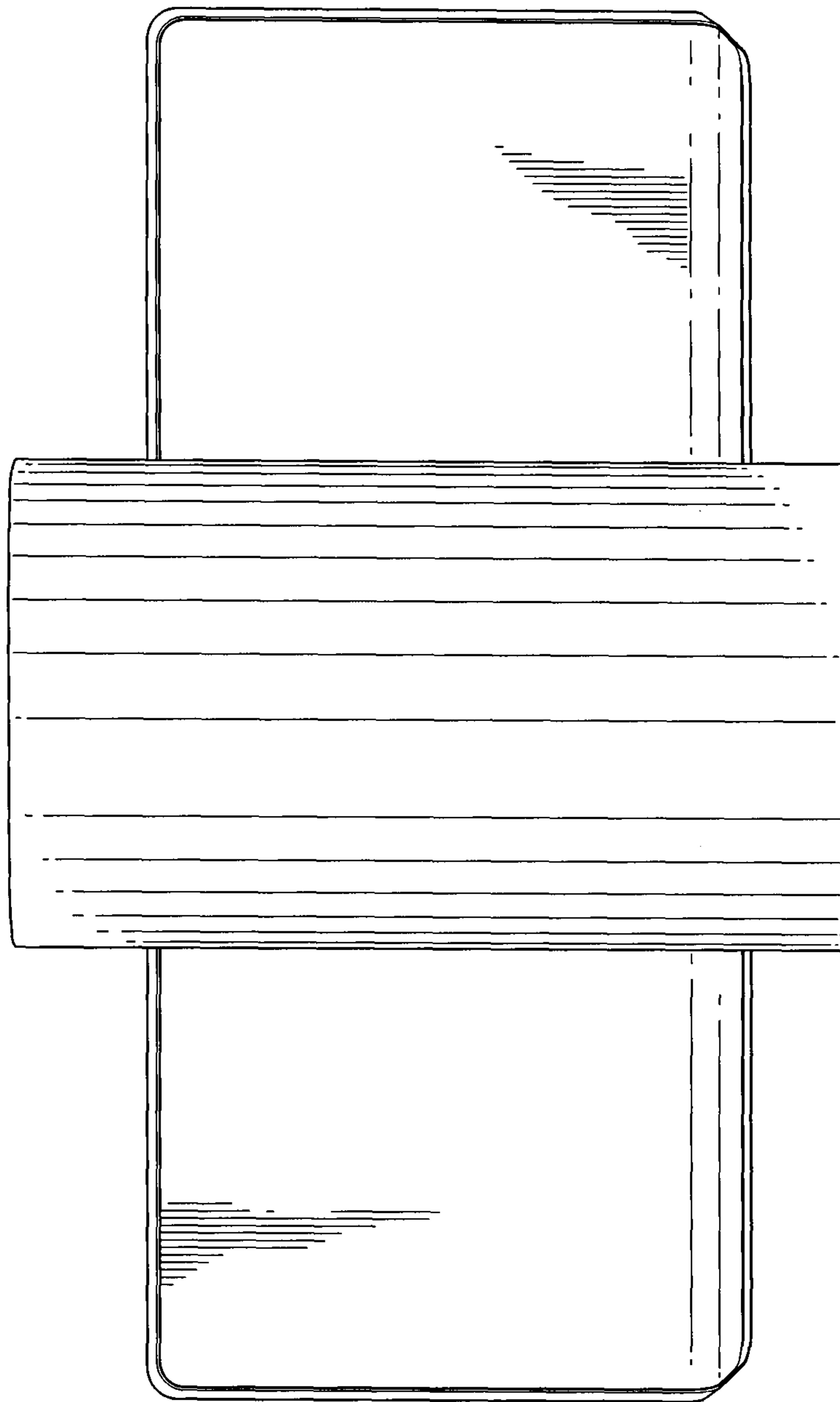


Fig. 4

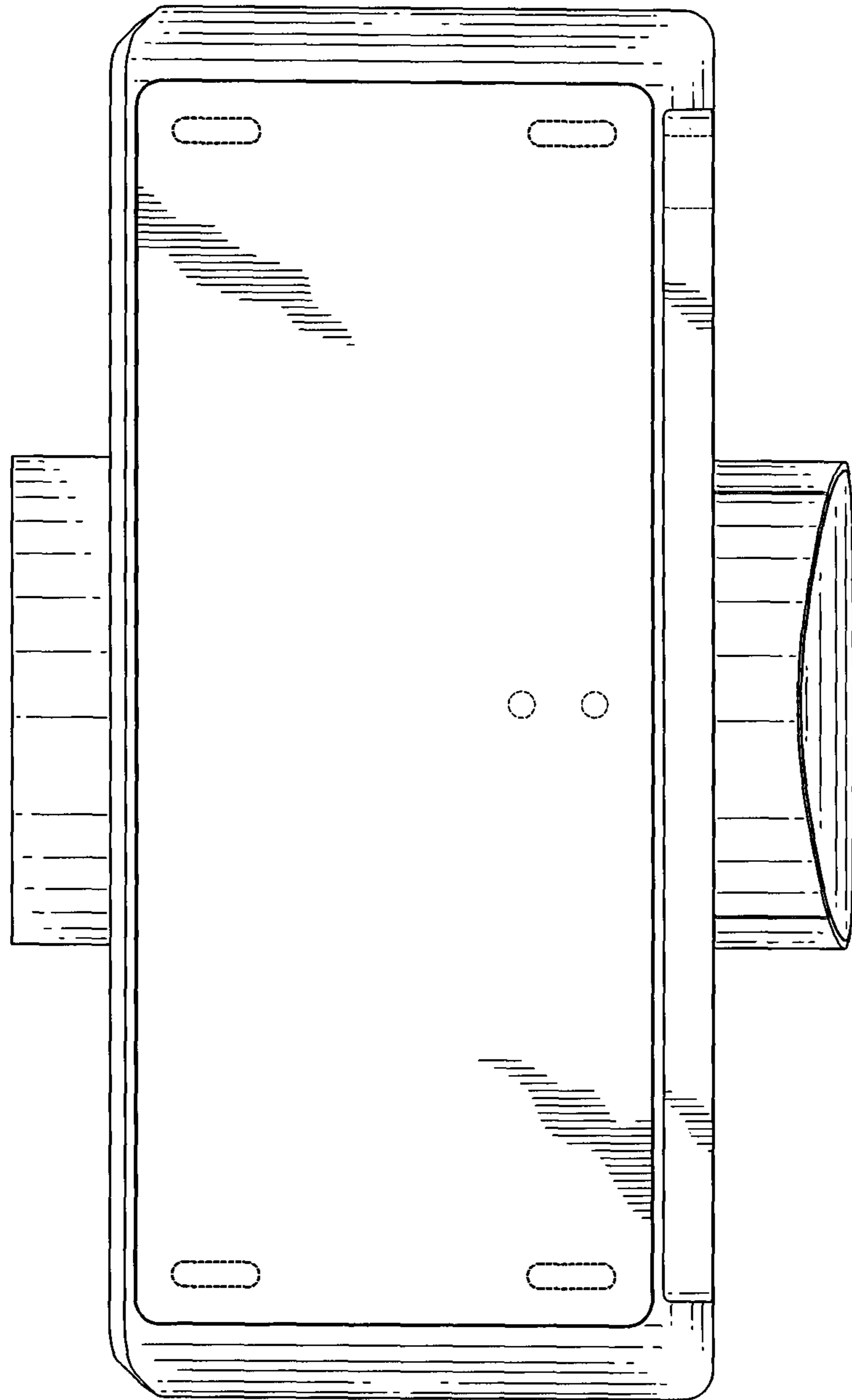


Fig. 5

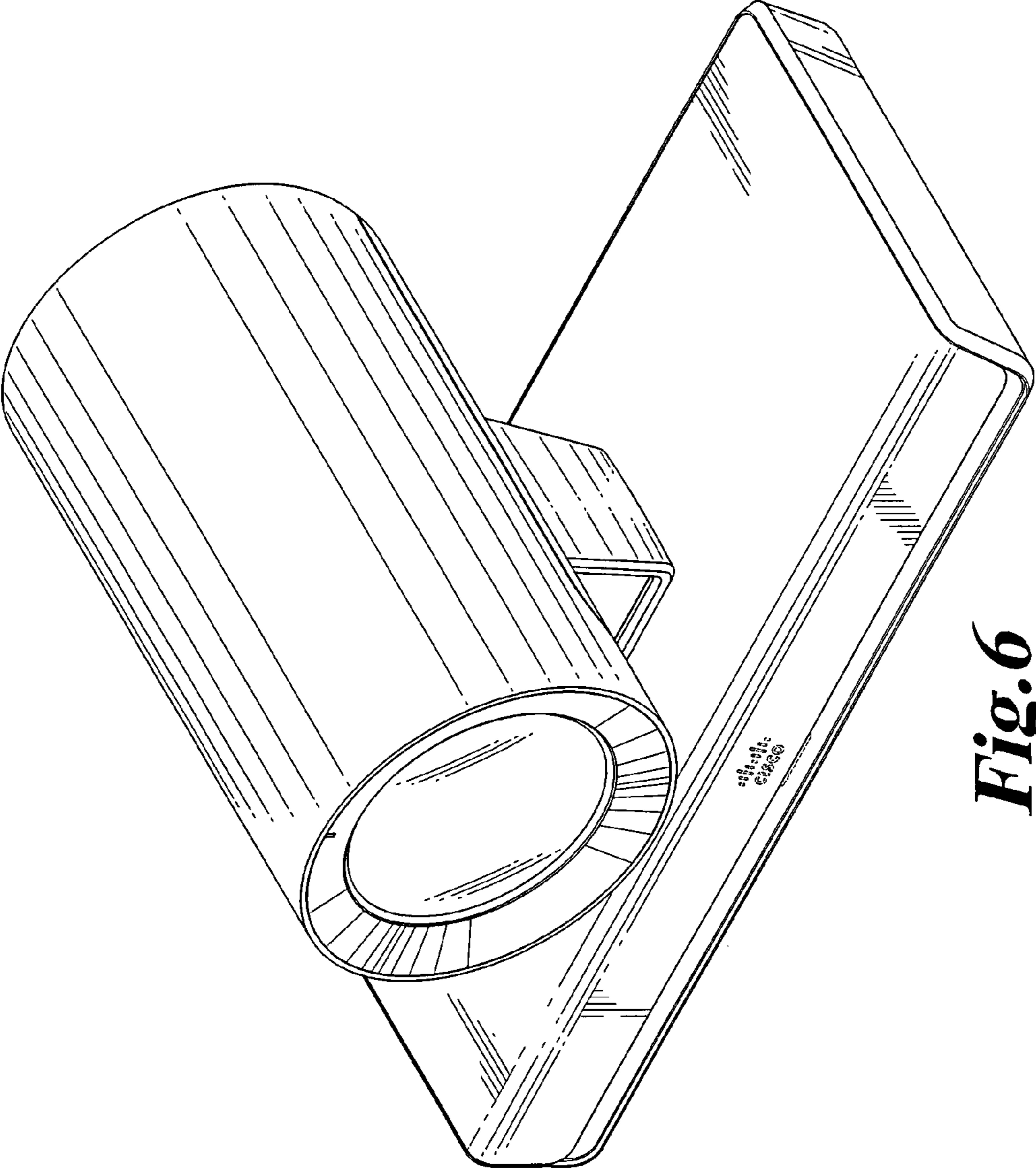


Fig. 6

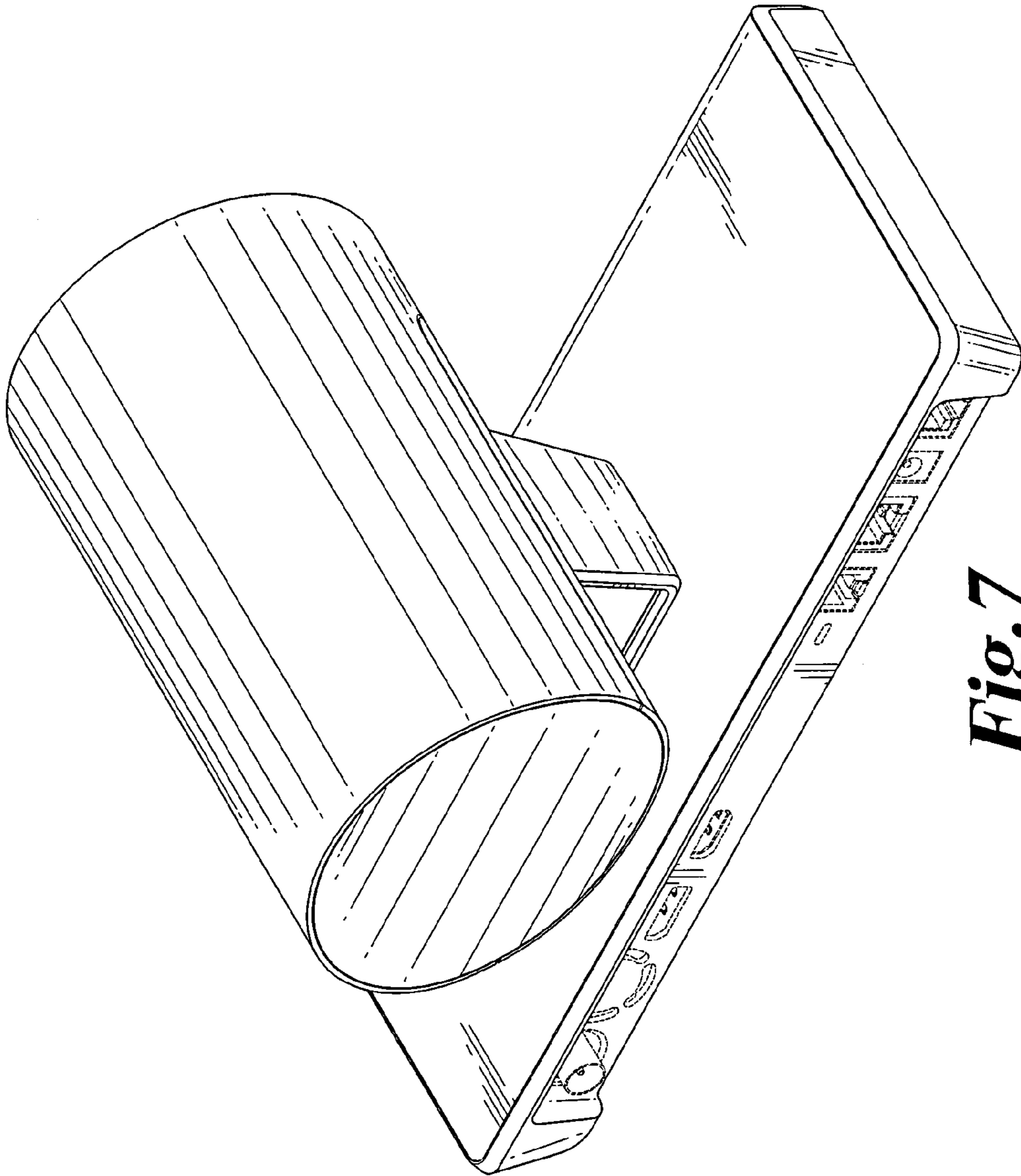


Fig. 7