



US00D710419S

(12) **United States Design Patent**  
**Huschka**

(10) **Patent No.:** **US D710,419 S**

(45) **Date of Patent:** **\*\* \*Aug. 5, 2014**

(54) **VERTICAL HEXAGONAL EYEGLASS LENS WITH HORIZONTAL OVULAR APERTURE**

(71) Applicant: **KM Fashion Eyewear, LLC**,  
Paramount, CA (US)

(72) Inventor: **Todd Huschka**, Madison, WI (US)

(73) Assignee: **KM Fashion Eyewear, LLC**,  
Paramount, CA (US)

(\*) Notice: This patent is subject to a terminal disclaimer.

(\*\*) Term: **14 Years**

(21) Appl. No.: **29/473,071**

(22) Filed: **Nov. 18, 2013**

**Related U.S. Application Data**

(62) Division of application No. 29/450,282, filed on Mar. 15, 2013, now Pat. No. Des. 697,114.

(51) **LOC (10) Cl.** ..... **16-06**

(52) **U.S. Cl.**  
USPC ..... **D16/101**; D16/315

(58) **Field of Classification Search**  
CPC ..... G02C 7/16; G02C 7/105; G02C 7/00;  
G02C 7/10; A63B 69/36  
USPC ..... D16/101, 300-342, 900; D29/109-110;  
351/41, 44, 51-52, 62, 158, 92,  
351/103-123, 140-153, 63, 59, 45-46;  
2/426-432, 447-449, 441, 434-437,  
2/13, 15; D21/483, 659-661; D14/372

See application file for complete search history.

(56) **References Cited**

U.S. PATENT DOCUMENTS

D74,365	S	*	2/1928	Giglio	.....	D16/326
2,015,241	A	*	9/1935	Singer	.....	351/159.63
2,043,840	A	*	6/1936	Singer	.....	351/159.63
D121,893	S	*	8/1940	Doeblich	.....	D16/320
2,475,522	A	*	7/1949	Scherkenbach	.....	2/433
D208,270	S	*	8/1967	Boxer	.....	D16/306
D217,028	S	*	3/1970	Weissman	.....	D16/319
D256,025	S	*	7/1980	Lewis	.....	D16/317
D265,097	S	*	6/1982	Lewis	.....	D16/317
D408,432	S	*	4/1999	Jumara	.....	D16/315
8,277,045	B2	*	10/2012	Hobbs	.....	351/45
8,449,401	B2	*	5/2013	Kayama	.....	473/210
8,602,554	B2	*	12/2013	Lau et al.	.....	351/159.63
8,721,071	B2	*	5/2014	Kikuyama	.....	351/62

\* cited by examiner

*Primary Examiner* — Raphael Barkai

(74) *Attorney, Agent, or Firm* — Lance M. Pritikin

(57) **CLAIM**

The ornamental design for a vertical hexagonal eyeglass lens with horizontal ovular aperture, as shown and described.

**DESCRIPTION**

FIG. 1 is a front environmental view of a vertical hexagonal eyeglass lens with horizontal ovular aperture showing my new design;

FIG. 2 is a front perspective view of the vertical hexagonal eyeglass lens with horizontal ovular aperture;

FIG. 3 is a front view thereof;

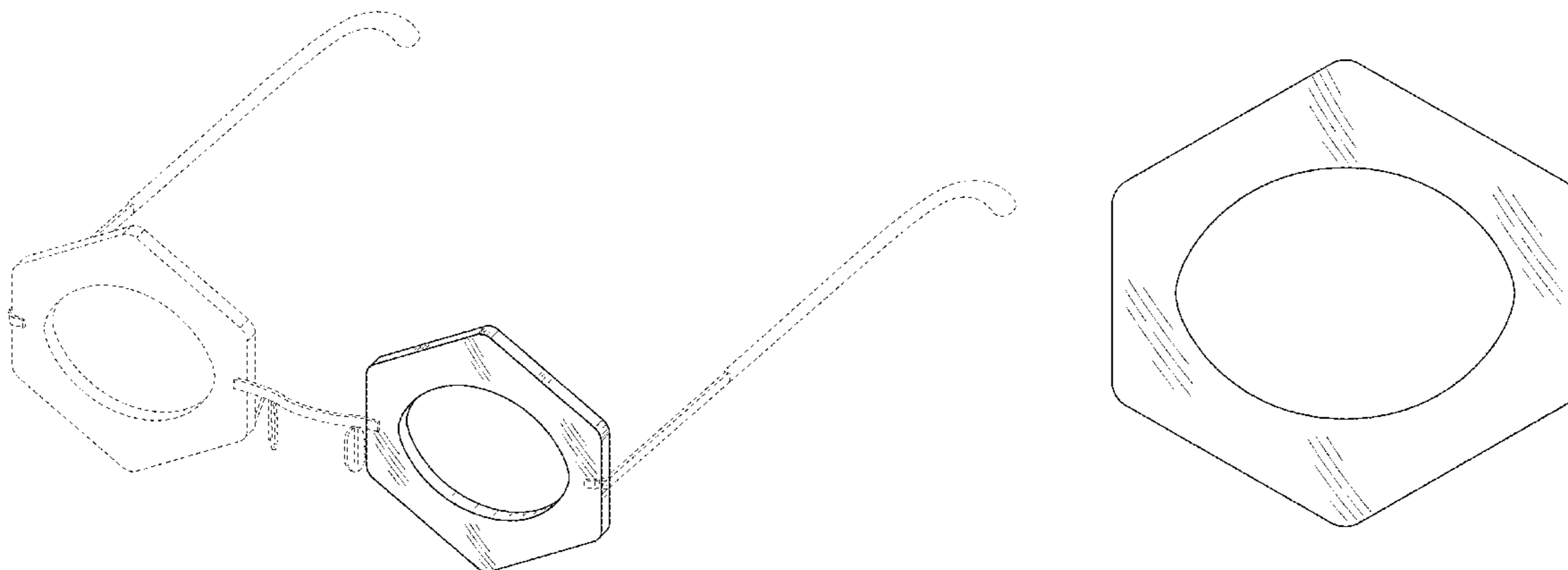
FIG. 4 is a rear view thereof;

FIG. 5 is a right side view thereof with a left side being a mirror image; and,

FIG. 6 is a top view thereof with a bottom view being a mirror image.

The broken lines are included for illustrative purposes only and form no part of the claimed design.

**1 Claim, 3 Drawing Sheets**



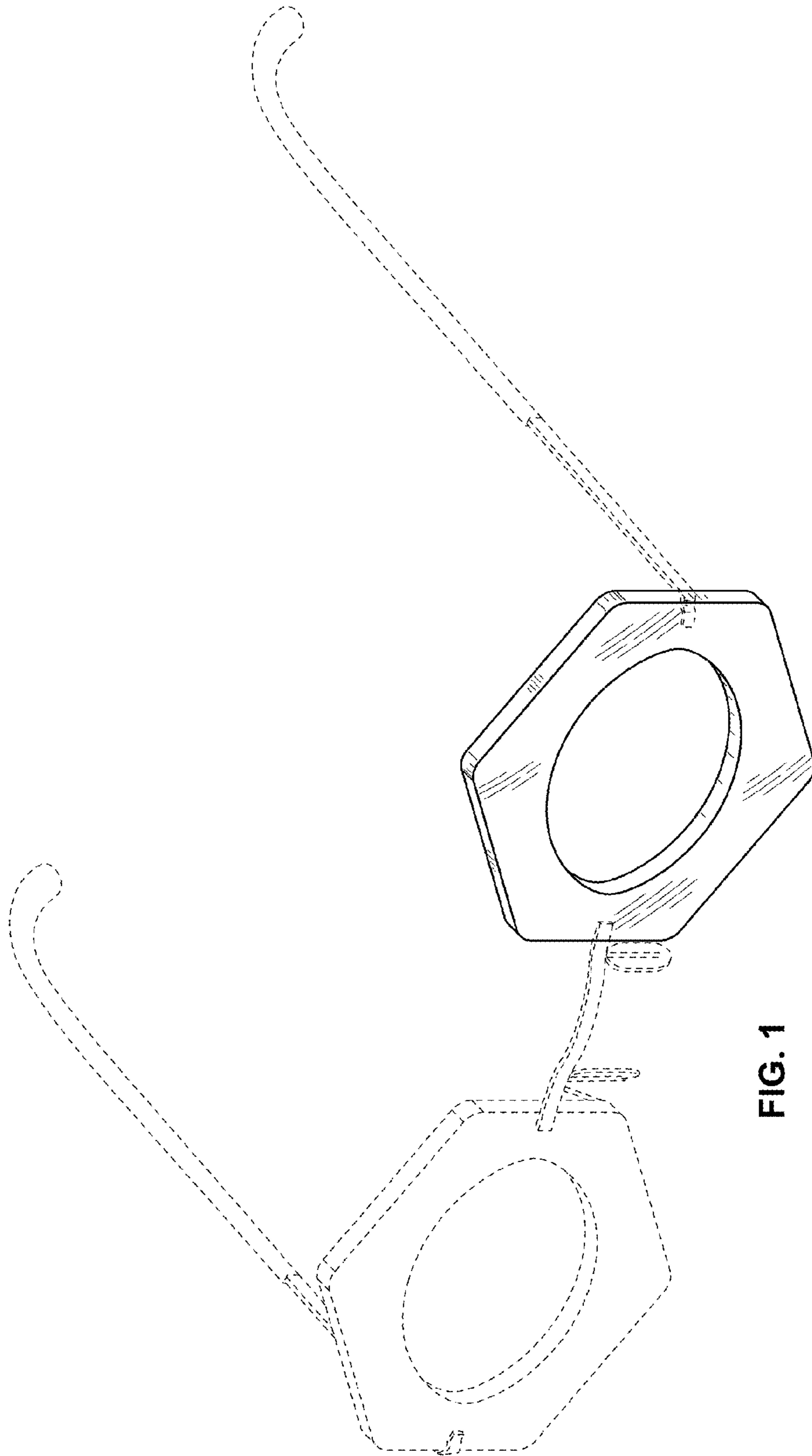


FIG. 1

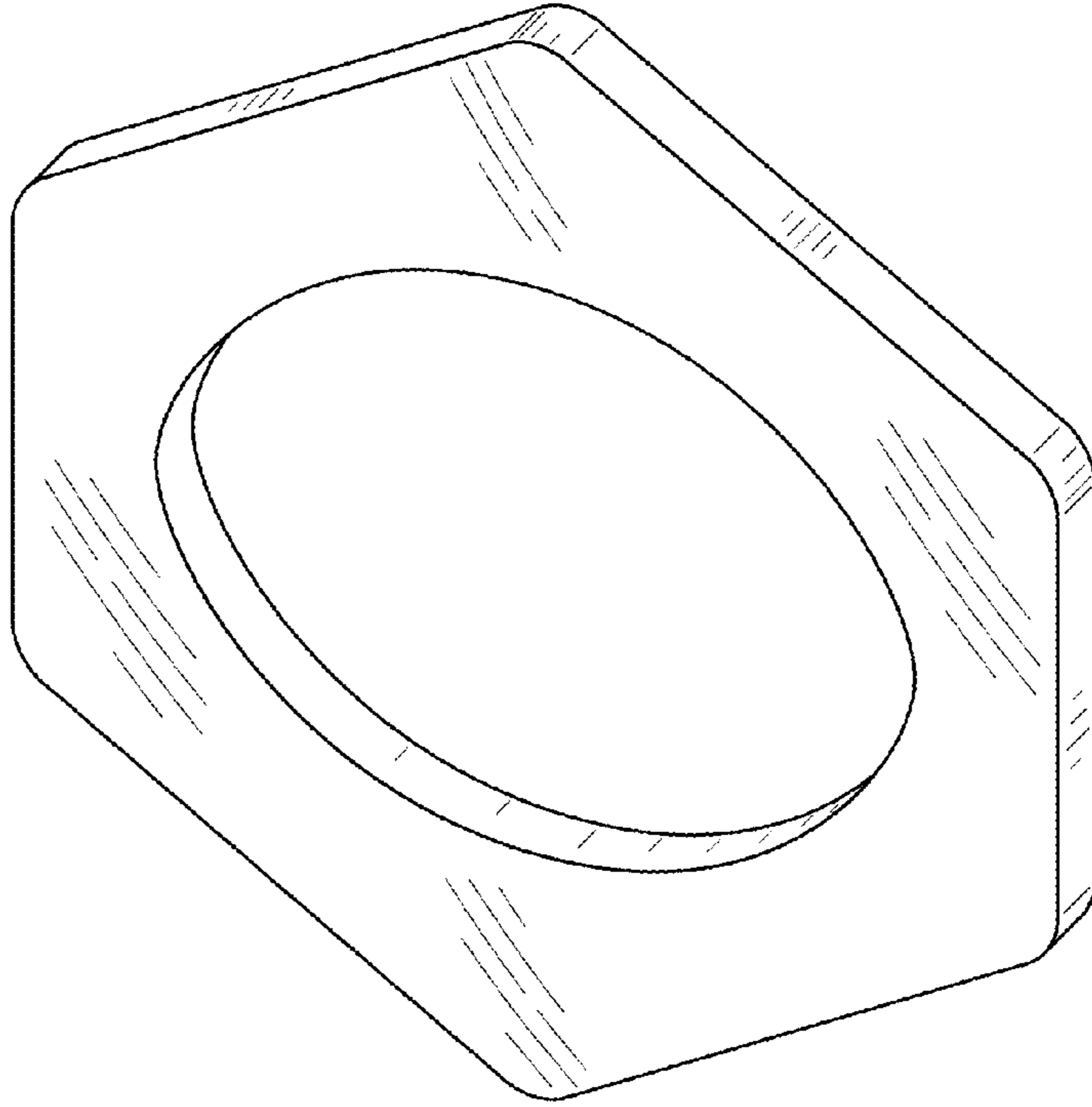


FIG. 2

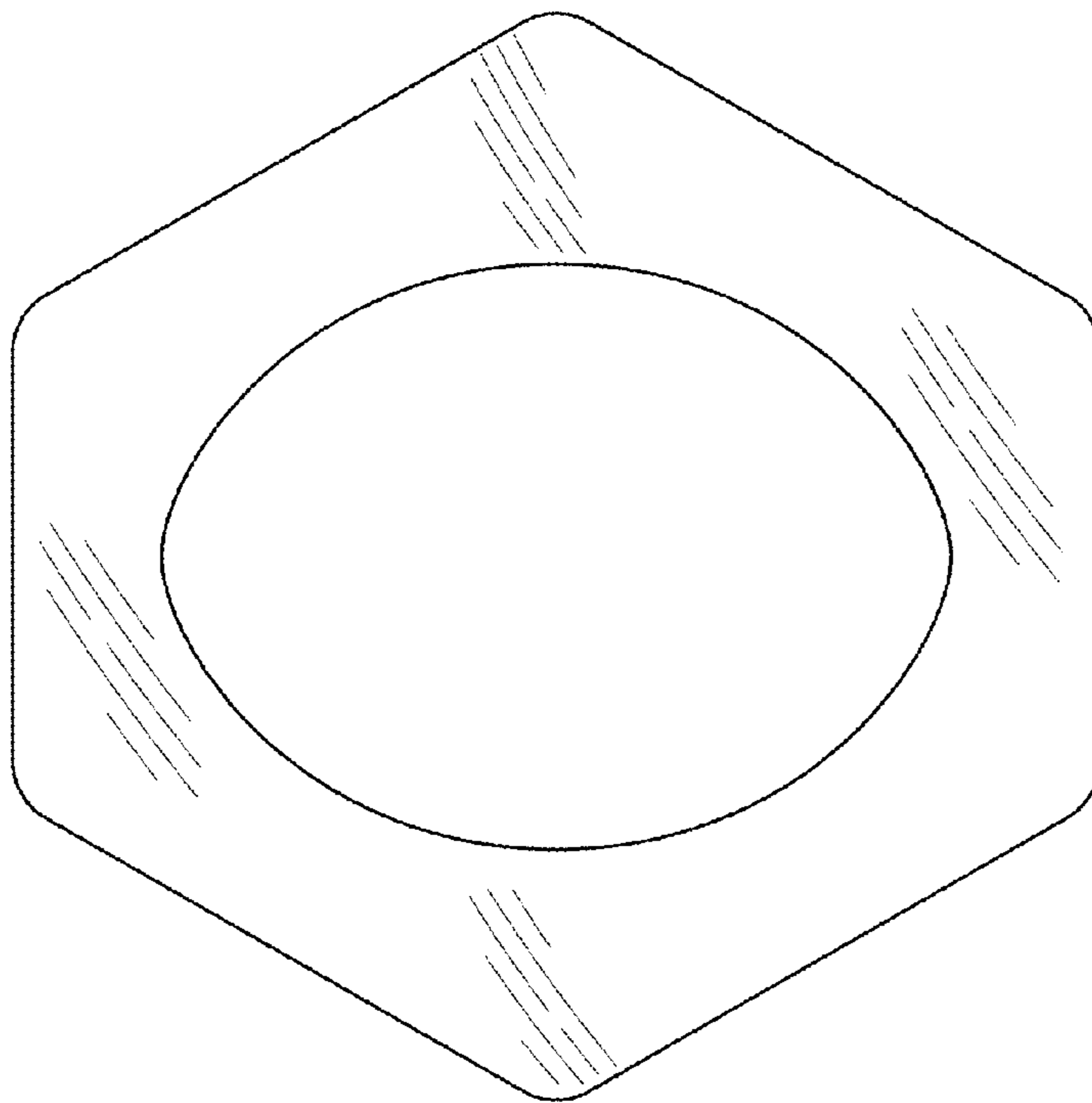


FIG. 3

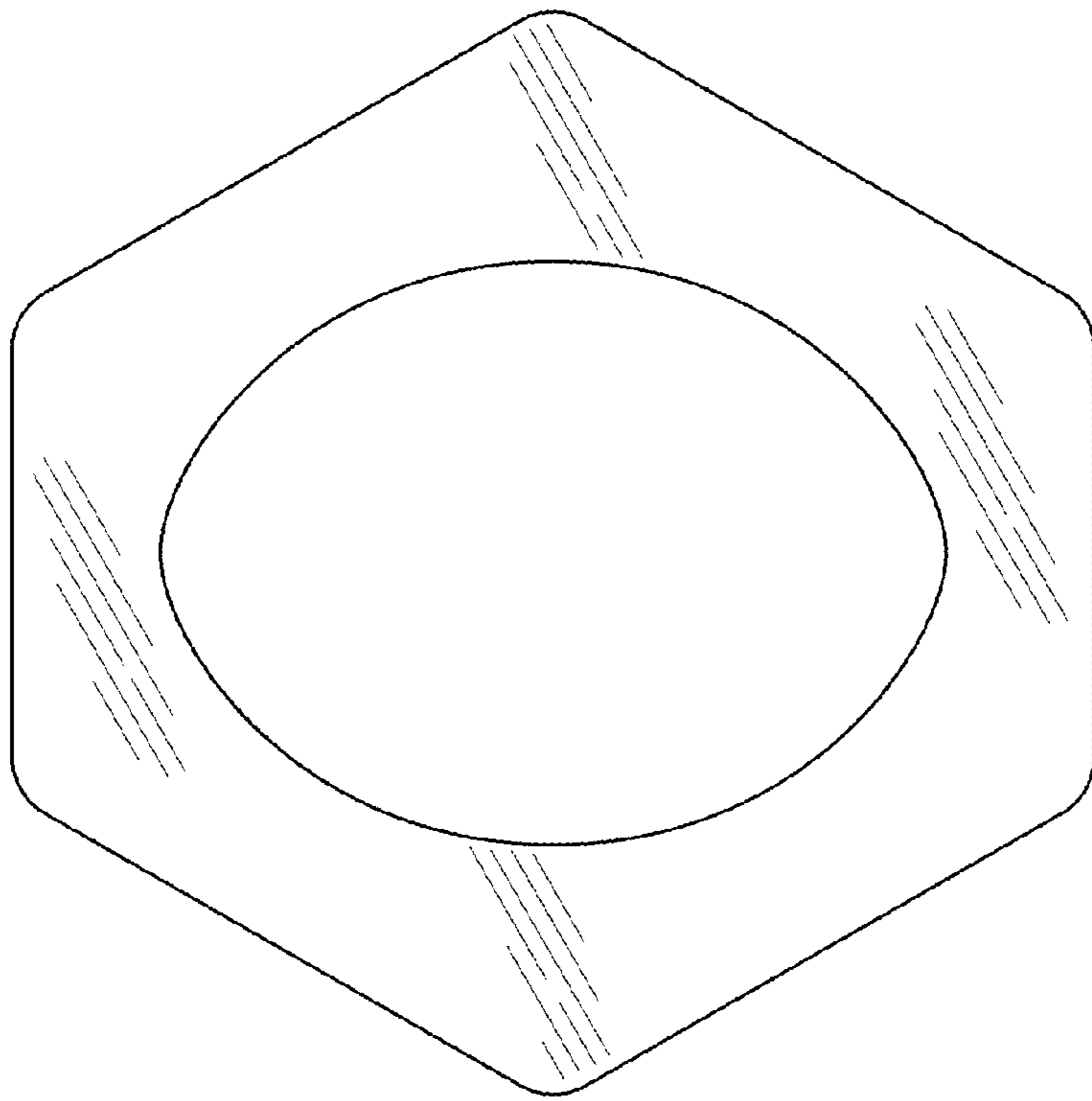


FIG. 4

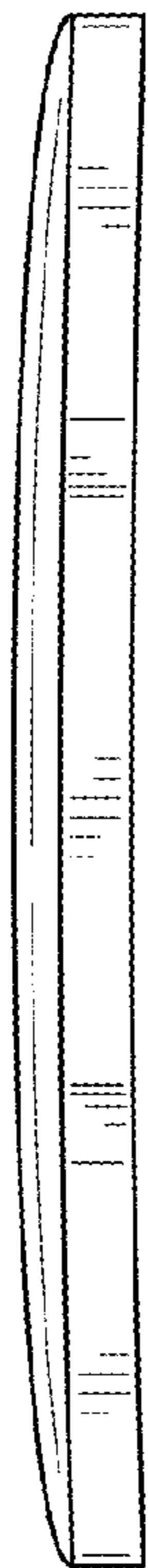


FIG. 5



FIG. 6