



US00D710416S

(12) **United States Design Patent**
Huschka

(10) **Patent No.:** **US D710,416 S**

(45) **Date of Patent:** **** Aug. 5, 2014**

(54) **VERTICAL SEMI-OVULAR EYEGLASS LENS WITH VERTICAL SEMI-OVULAR APERTURE**

(56) **References Cited**

U.S. PATENT DOCUMENTS

(71) Applicant: **KM Fashion Eyewear, LLC**,
Paramount, CA (US)

1,641,790	A *	9/1927	Tillyer	351/159.43
D74,365	S *	2/1928	Giglio	D16/326
2,053,551	A *	9/1936	Culver et al.	65/38
RE20,929	E *	11/1938	Kinney	351/159.43
2,328,584	A *	9/1943	Rones	351/159.43
2,399,706	A *	5/1946	Rones	451/42
4,854,089	A *	8/1989	Morales	451/42
D408,432	S *	4/1999	Jumara	D16/315
7,559,650	B2 *	7/2009	Iuliano	351/159.73

(72) Inventor: **Todd Huschka**, Madison, WI (US)

(73) Assignee: **KM Fashion Eyewear, LLC**,
Paramount, CA (US)

(**) Term: **14 Years**

* cited by examiner

(21) Appl. No.: **29/472,894**

Primary Examiner — Raphael Barkai

(74) *Attorney, Agent, or Firm* — Lance M. Pritikin

(22) Filed: **Nov. 18, 2013**

(57) **CLAIM**

The ornamental design for a vertical semi-ovular eyeglass lens with vertical semi-ovular aperture, as shown and described.

Related U.S. Application Data

DESCRIPTION

(62) Division of application No. 29/450,224, filed on Mar. 15, 2013, now Pat. No. Des. 697,109.

(51) **LOC (10) Cl.** **16-06**

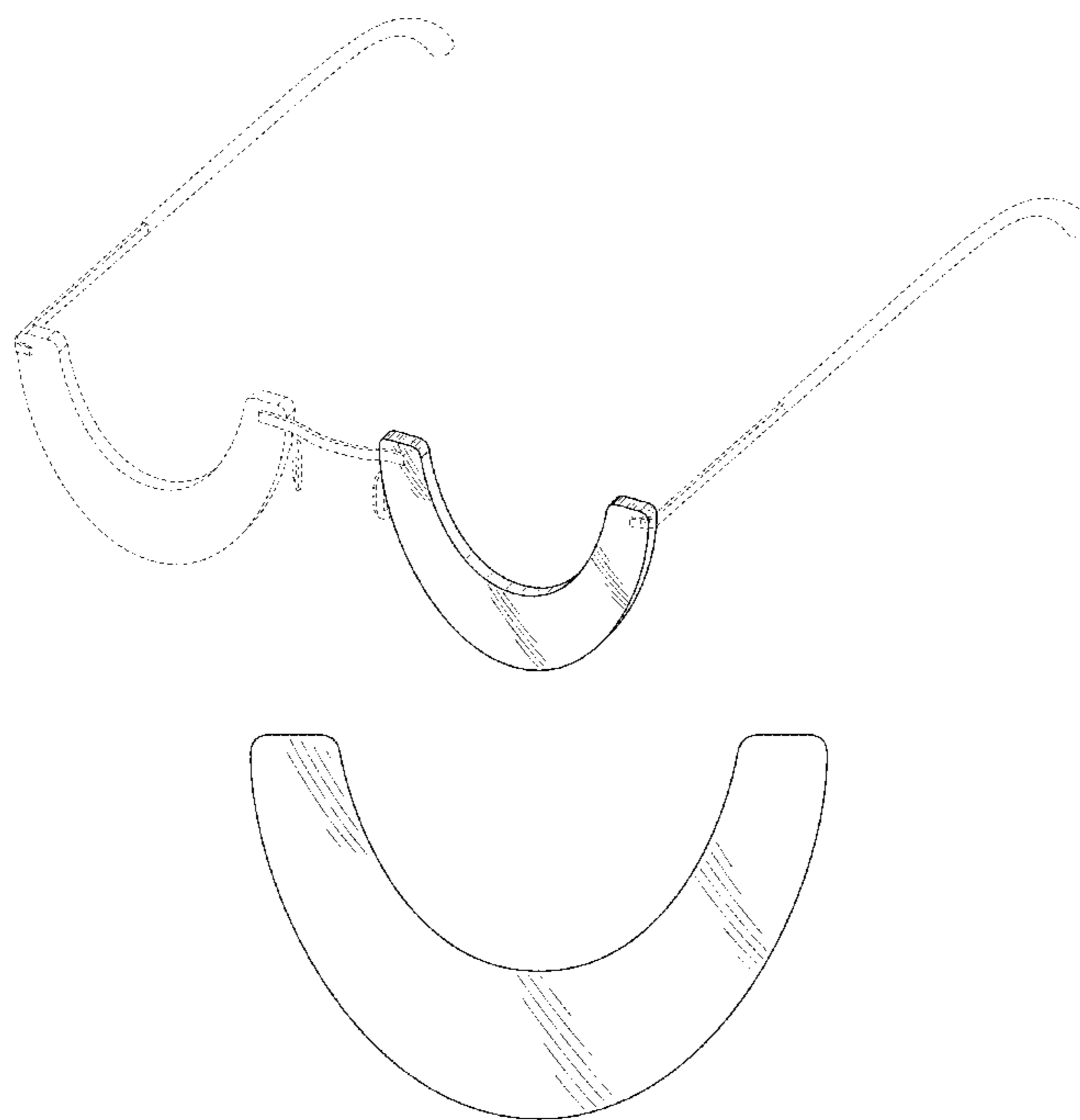
(52) **U.S. Cl.**
USPC **D16/101; D16/315**

(58) **Field of Classification Search**
CPC G02C 7/041; G02C 7/06; G02C 7/16;
G02C 7/105; A63B 69/36
USPC D16/101, 300-342, 900; D29/109-110;
351/41, 44, 51-52, 62, 158, 92,
351/103-123, 140-153, 63, 59, 45-46;
2/426-432, 447-449, 441, 434-437,
2/13, 15; D21/483, 659-661; D14/372

See application file for complete search history.

FIG. 1 is a front environmental view of the vertical semi-ovular eyeglass lens with vertical semi-ovular aperture showing my new design;
FIG. 2 is a front perspective view of the vertical semi-ovular eyeglass lens with vertical semi-ovular aperture;
FIG. 3 is a front view thereof;
FIG. 4 is a rear view thereof;
FIG. 5 is a right side view thereof with a left side being a mirror image;
FIG. 6 is a top view thereof; and,
FIG. 7 is a bottom view thereof.
The broken lines are included for illustrative purposes only and form no part of the claimed design.

1 Claim, 3 Drawing Sheets



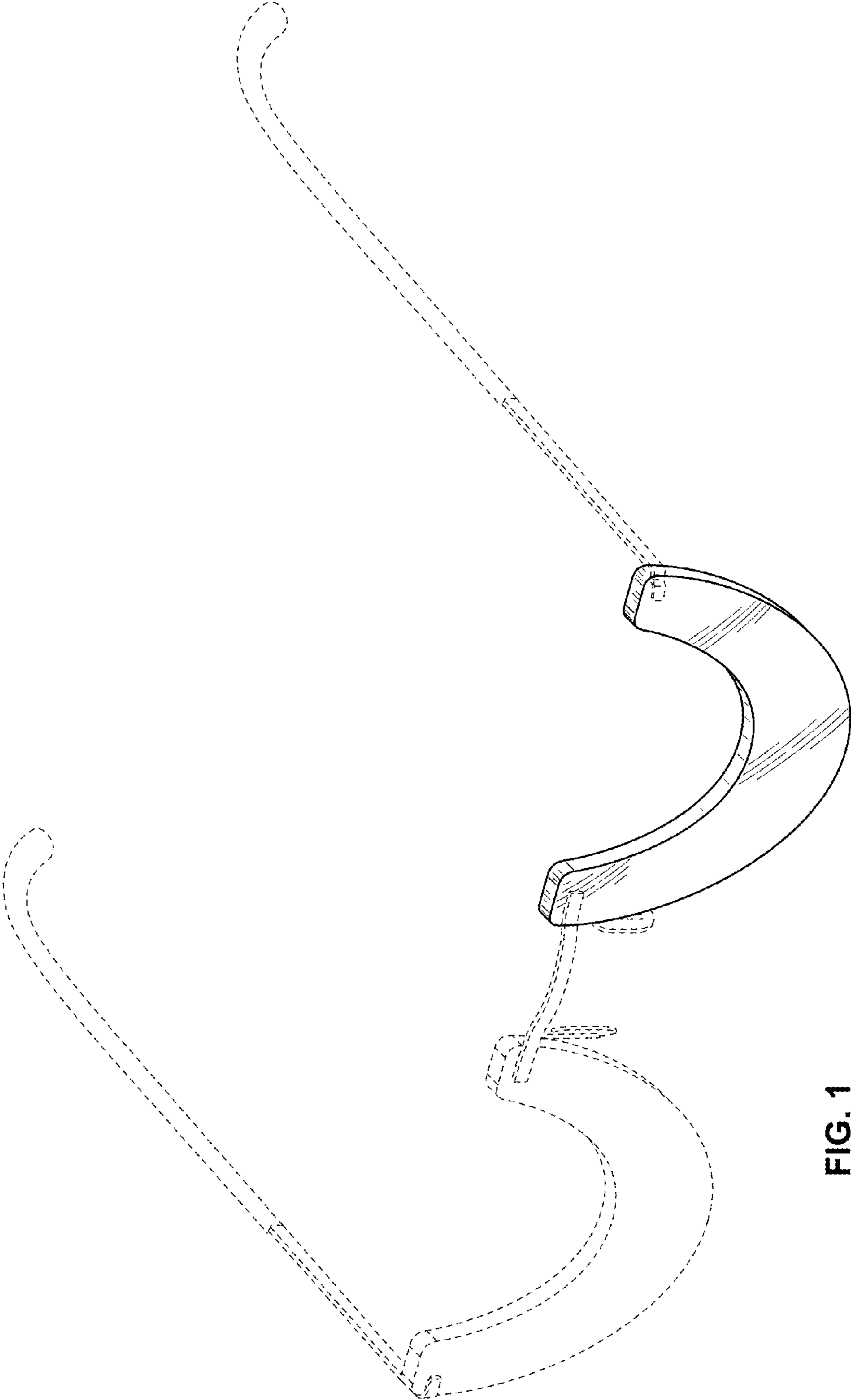


FIG. 1

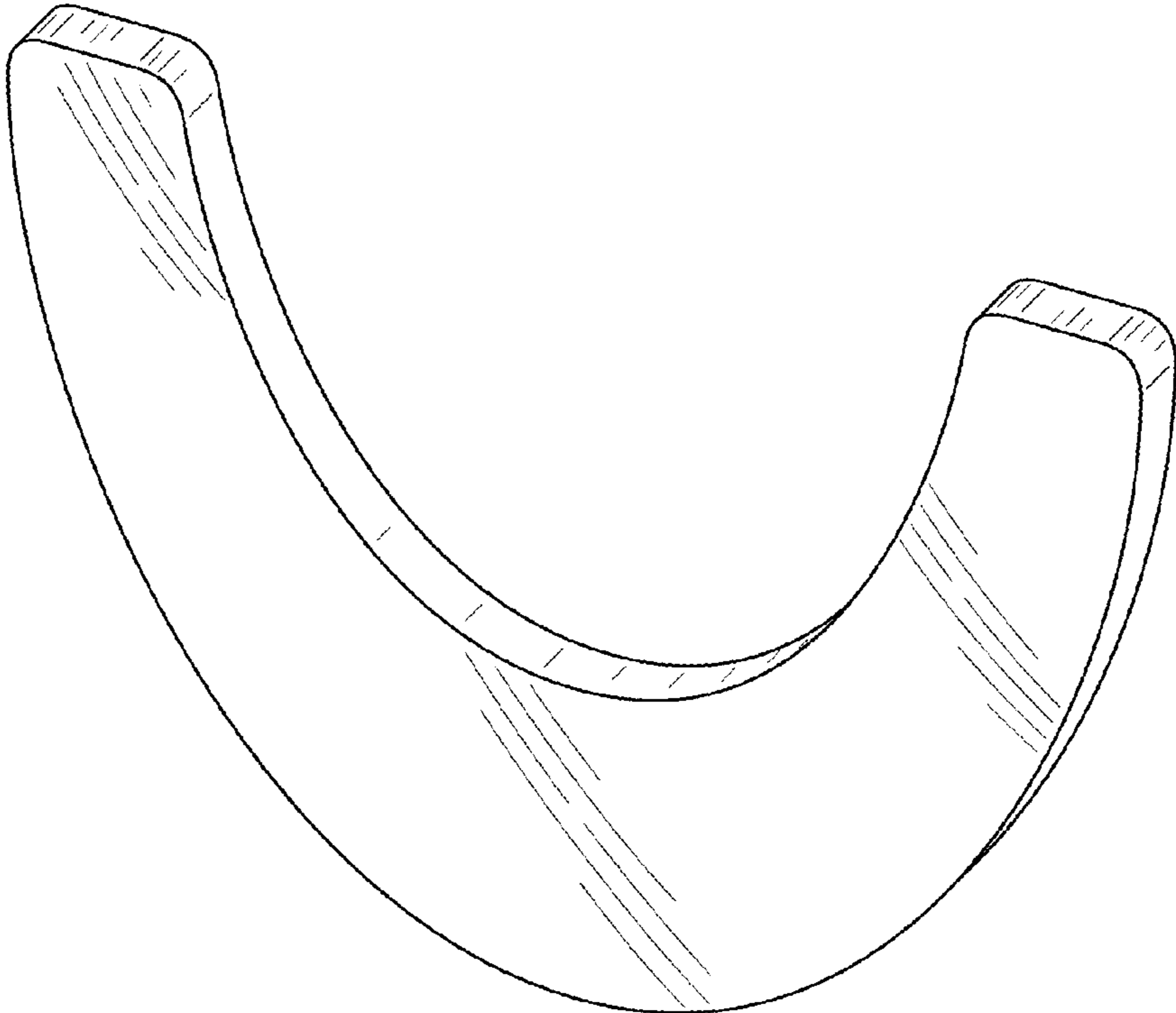


FIG. 2

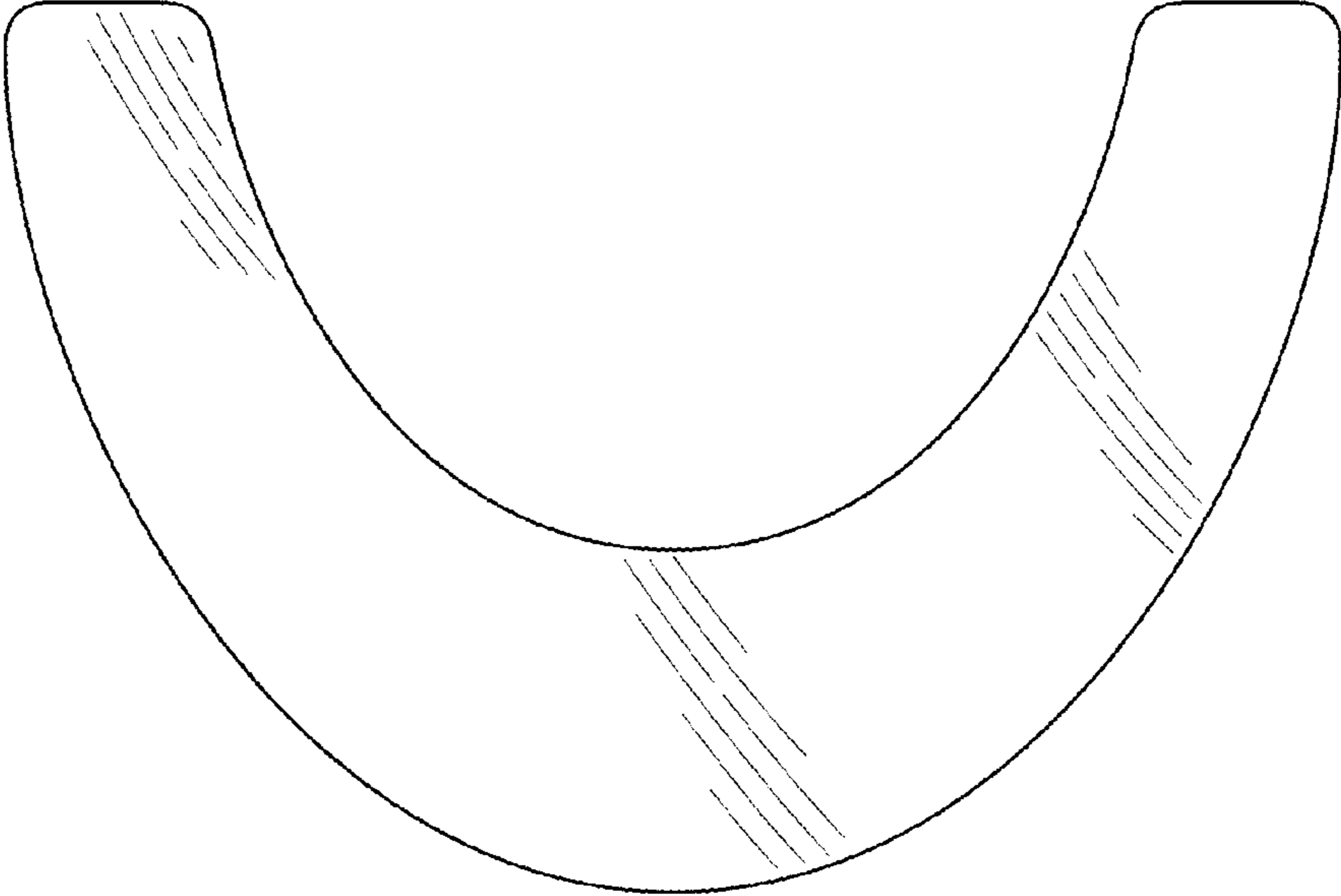


FIG. 3

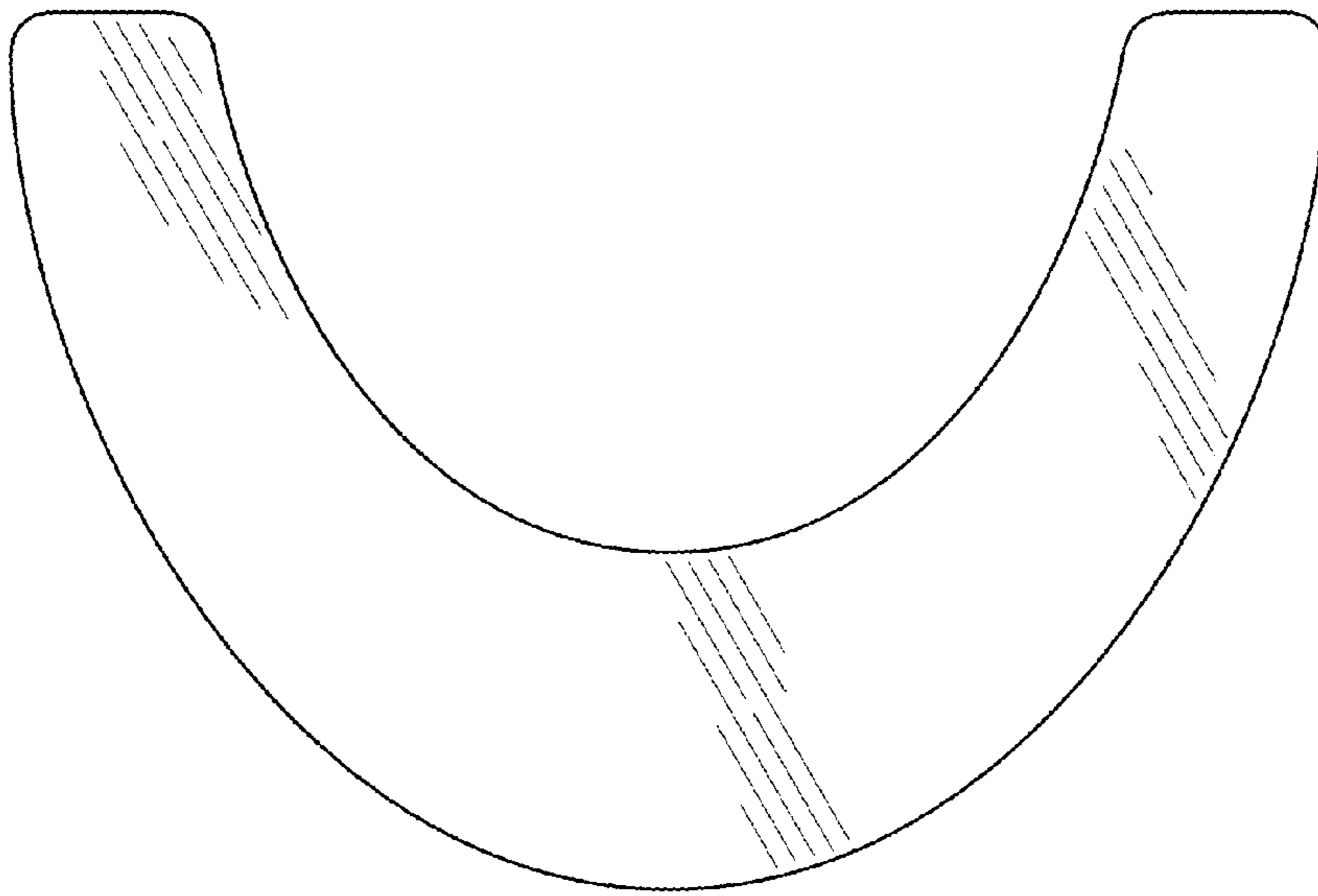


FIG. 4

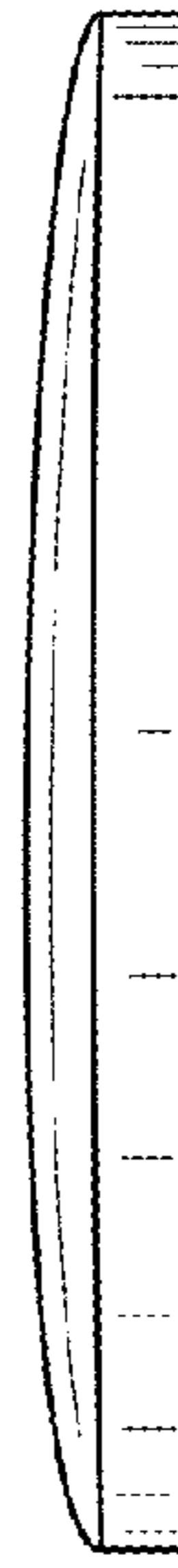


FIG. 5



FIG. 6

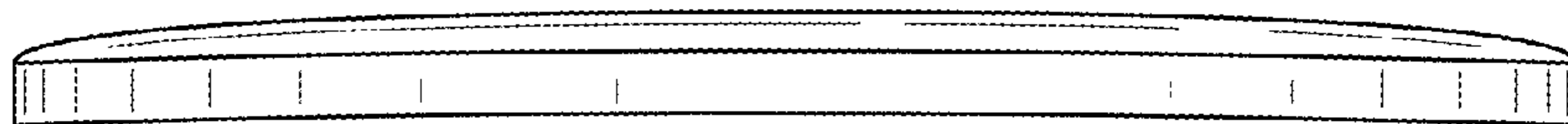


FIG. 7