



US00D710414S

(12) **United States Design Patent**
Schmid et al.

(10) **Patent No.:** **US D710,414 S**

(45) **Date of Patent:** **** Aug. 5, 2014**

(54) **MIXING MACHINE**

(56) **References Cited**

(71) Applicant: **3M Innovative Properties Company**,
St. Paul, MN (US)

U.S. PATENT DOCUMENTS

(72) Inventors: **Rudolf Schmid**, Eichenau (DE);
Manfred Harre, Landsberg am Lech
(DE); **Emir Jelovac**, München (DE);
Thomas Müller, Gauting (DE);
Christian Richter, Feldafing (DE);
Korbinian Schepke-Gerlach, Gauting
(DE); **Stefan Welker**, Geltendörf (DE);
Andreas Bergsträßer, Albaching (DE);
Özcan Dönmez, Landsberg am Lech
(DE)

D213,917	S	*	4/1969	Peterson	D15/147
4,198,373	A	*	4/1980	Kropp et al.	422/49
D264,218	S	*	5/1982	Neuner et al.	D15/147
D343,003	S	*	1/1994	Mechler et al.	D24/220
D343,458	S	*	1/1994	Mechler et al.	D24/220
D346,223	S	*	4/1994	Mechler et al.	D24/220
D393,476	S	*	4/1998	Lodige	D15/147
D394,072	S	*	5/1998	McAvinney et al.	D15/148
5,906,433	A		5/1999	Mazzalveri		

(Continued)

Primary Examiner — Patricia Palasik

(73) Assignee: **3M Innovative Properties Company**,
St. Paul, MN (US)

(57) **CLAIM**

The ornamental design for a mixing machine, as shown and described.

(**) Term: **14 Years**

DESCRIPTION

(21) Appl. No.: **29/468,954**

(22) Filed: **Oct. 4, 2013**

(30) **Foreign Application Priority Data**

Apr. 8, 2013 (EM) 1367114 1/8

(51) **LOC (10) Cl.** **15-99**

(52) **U.S. Cl.**
USPC **D15/147**

(58) **Field of Classification Search**
USPC D7/370, 376, 377, 378, 380, 384, 386;
D15/135, 136, 138, 147; 76/107.1;
241/69, 101.8, 180, 181; 250/281, 282,
250/285, 287, 288, 290-292; 277/95;
366/47, 47.31, 48, 48.28, 57, 60, 63,
366/76.7, 143, 149, 168.1, 185, 192, 232,
366/241-260, 288, 309, 326.1, 601, 604,
366/605

FIG. 1 is a perspective view of a mixing machine with the cartridge removed showing the new design for a mixing machine. As shown, the mixing machine is oriented in a working position;

FIG. 2 is a front view thereof;

FIG. 3 is a rear view thereof;

FIG. 4 is a right side view thereof;

FIG. 5 is a left side view thereof;

FIG. 6 is a top view thereof;

FIG. 7 is a bottom view thereof;

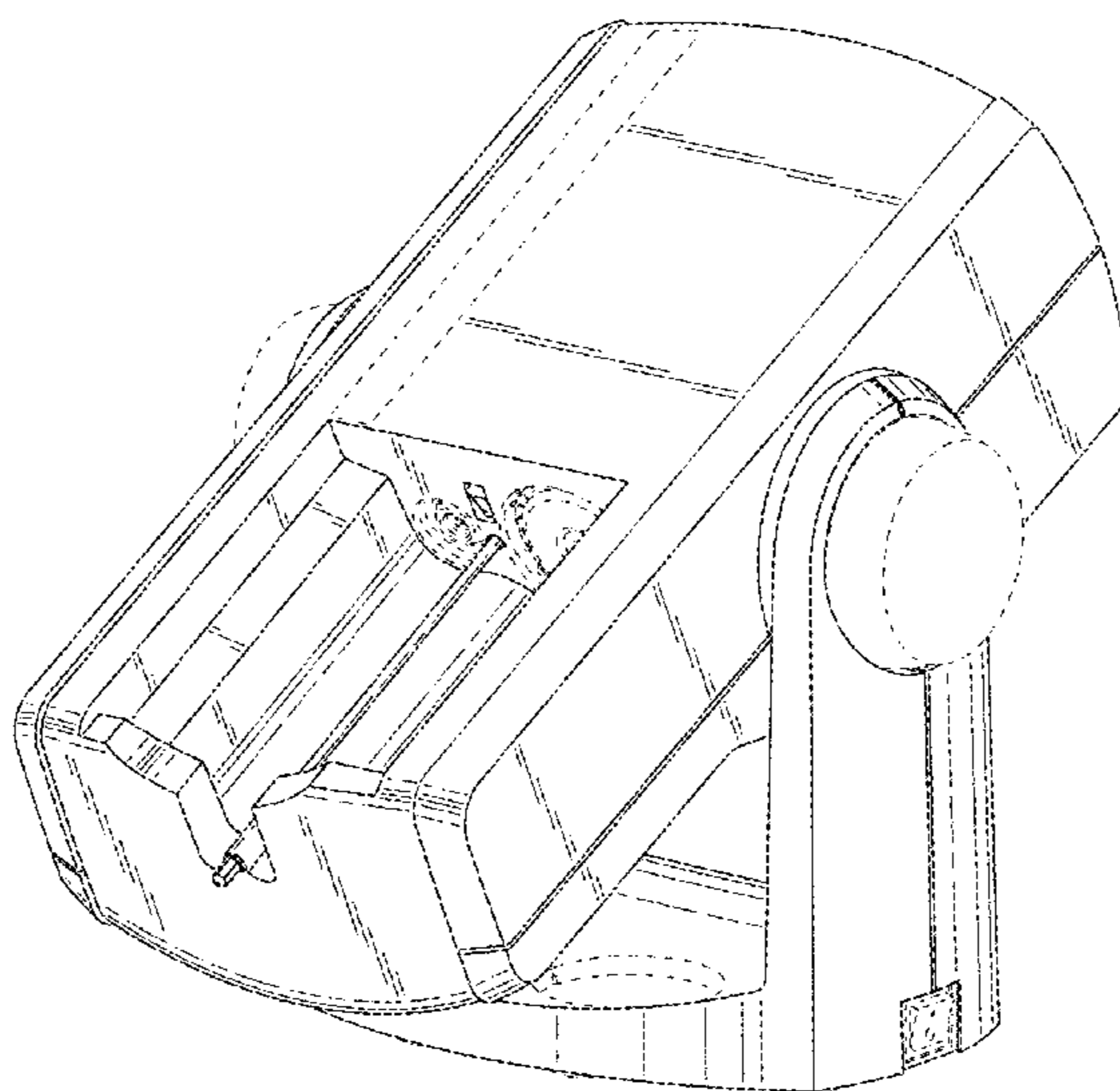
FIG. 8 is a front perspective view of the mixing machine, oriented in a nonworking position; and,

FIG. 9 is a rear perspective view thereof.

The broken lines in the drawings are shown for illustrative purposes only and form no part of the claimed design. In addition, the surface shading illustrated in the drawings is provided merely to highlight contour of design; it is not intended to be illustrative of texture or gloss.

See application file for complete search history.

1 Claim, 9 Drawing Sheets



(56)

References Cited

U.S. PATENT DOCUMENTS

D421,616 S * 3/2000 Shimizu D15/147
D467,659 S * 12/2002 Horth D24/152
D582,458 S * 12/2008 Tognetti et al. D15/199
D583,398 S * 12/2008 Seiler D15/147
D594,118 S * 6/2009 Bergstraesser et al. D24/133

D598,036 S * 8/2009 Bergstraesser et al. D15/147
D598,479 S * 8/2009 Seiler D15/147
D625,345 S * 10/2010 Bare et al. D15/138
D662,117 S * 6/2012 Dorbath D15/147
D671,986 S * 12/2012 Kott D19/1
D695,324 S 12/2013 Ballweg
2010/0124144 A1 * 5/2010 Thomas et al. 366/149

* cited by examiner

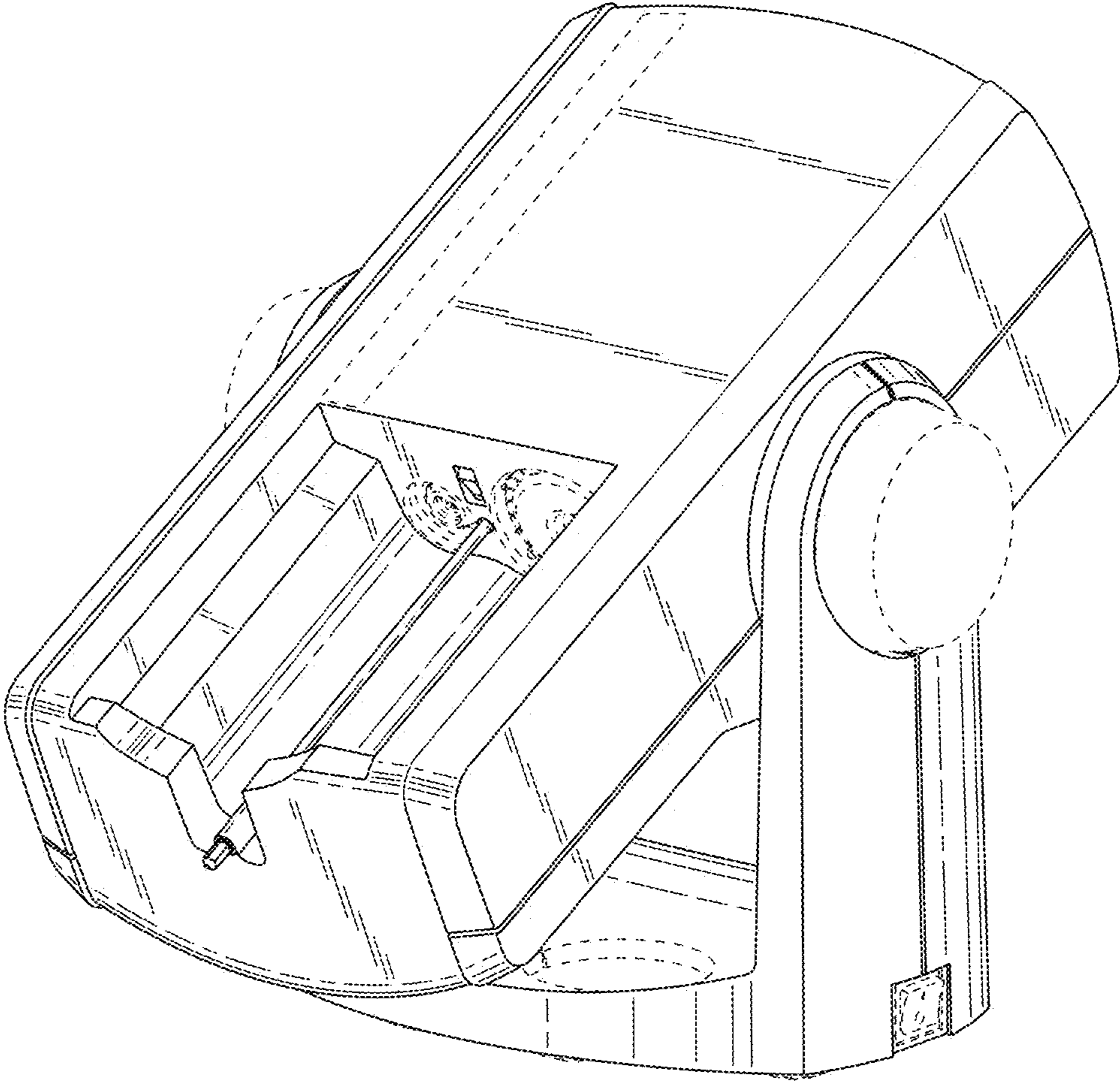


Fig. 1

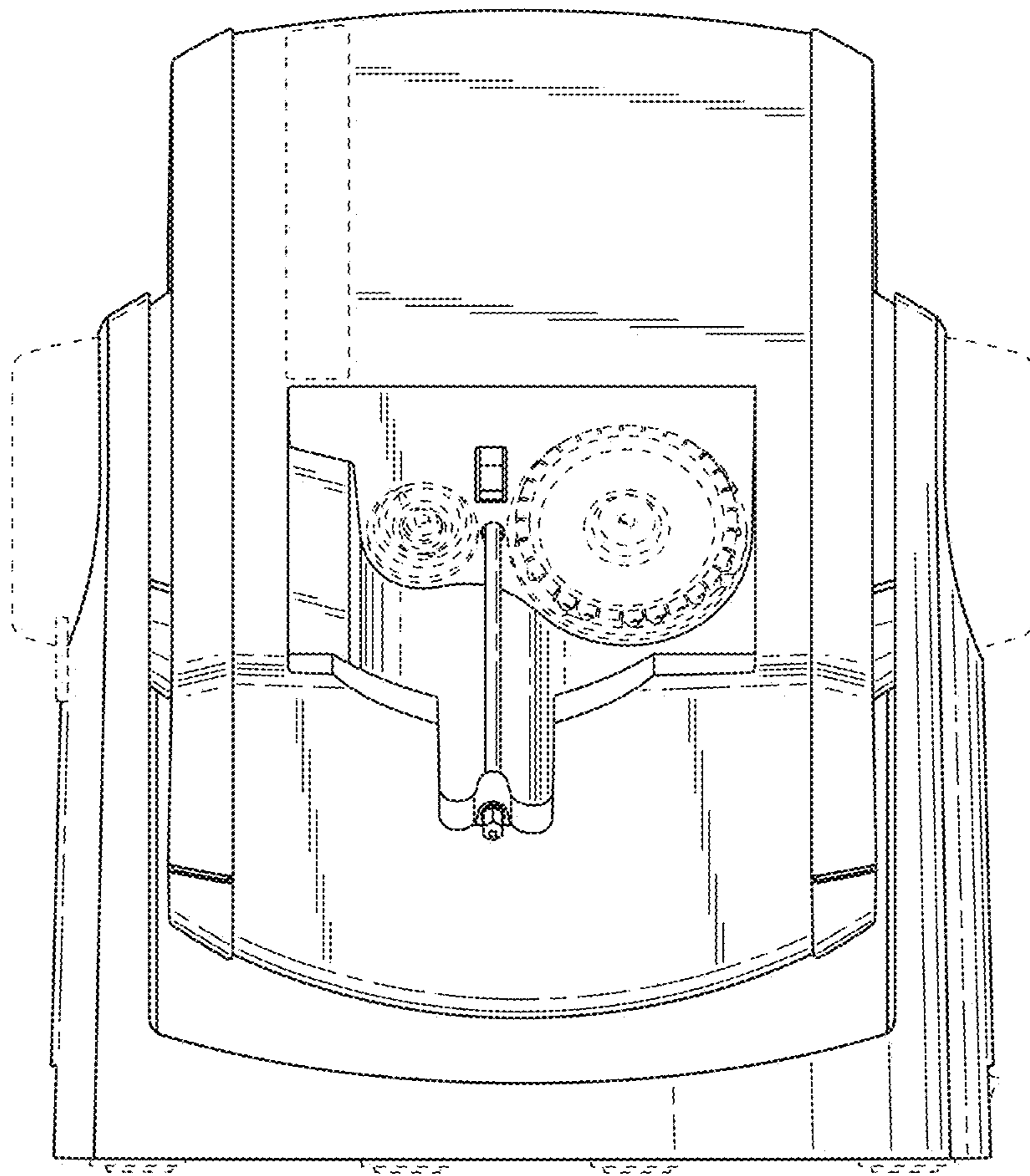


Fig. 2

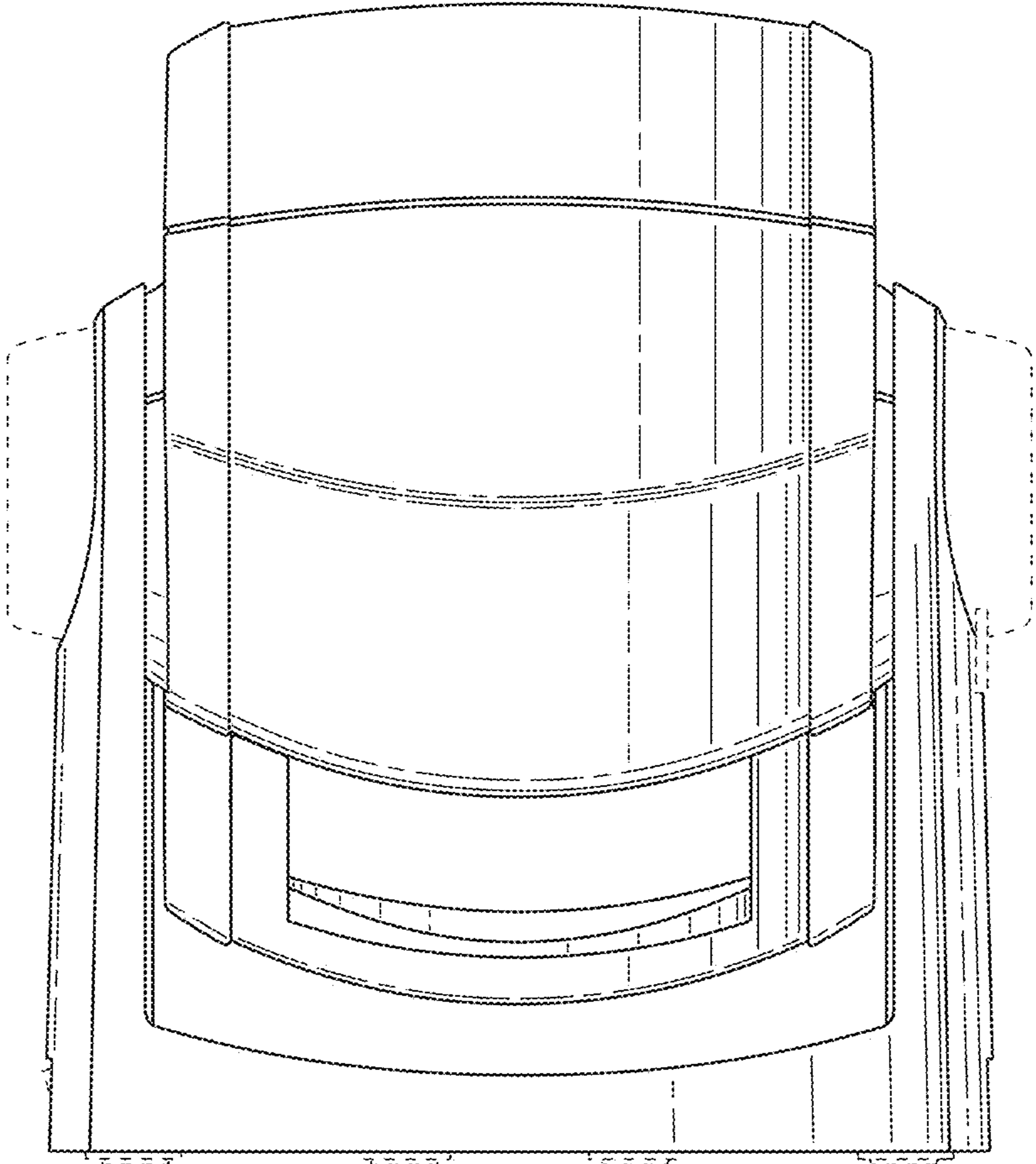


Fig. 3

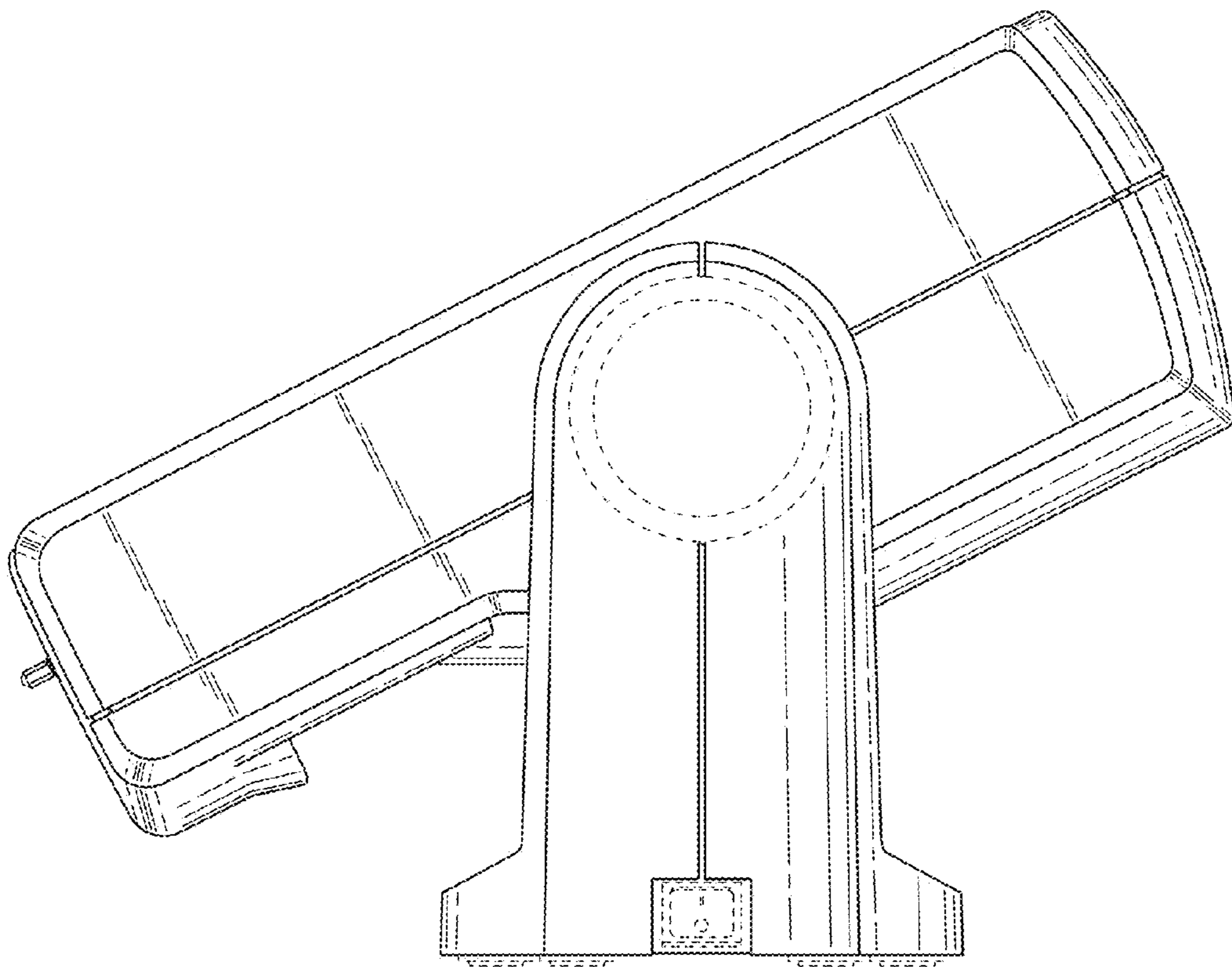


Fig. 4

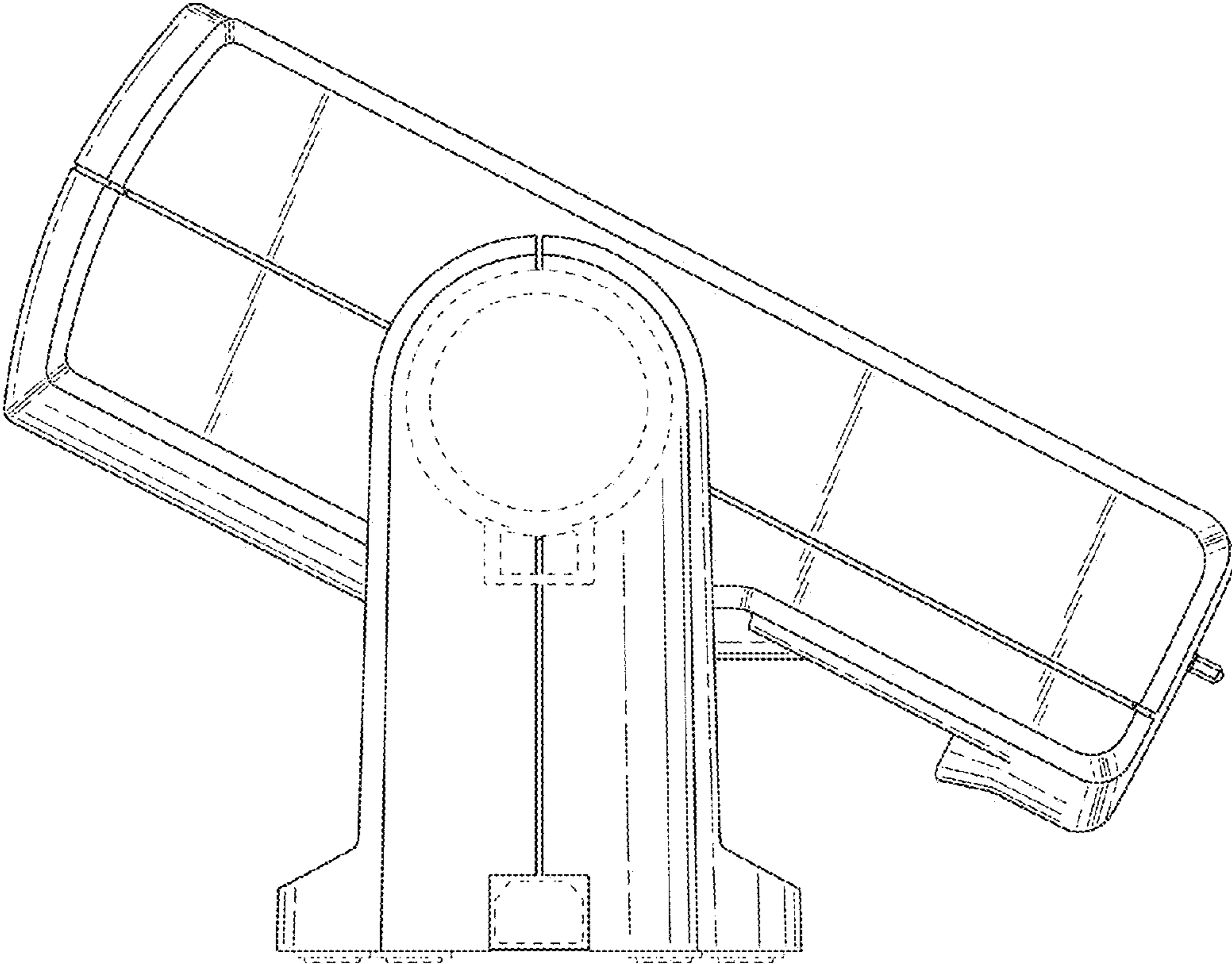


Fig. 5

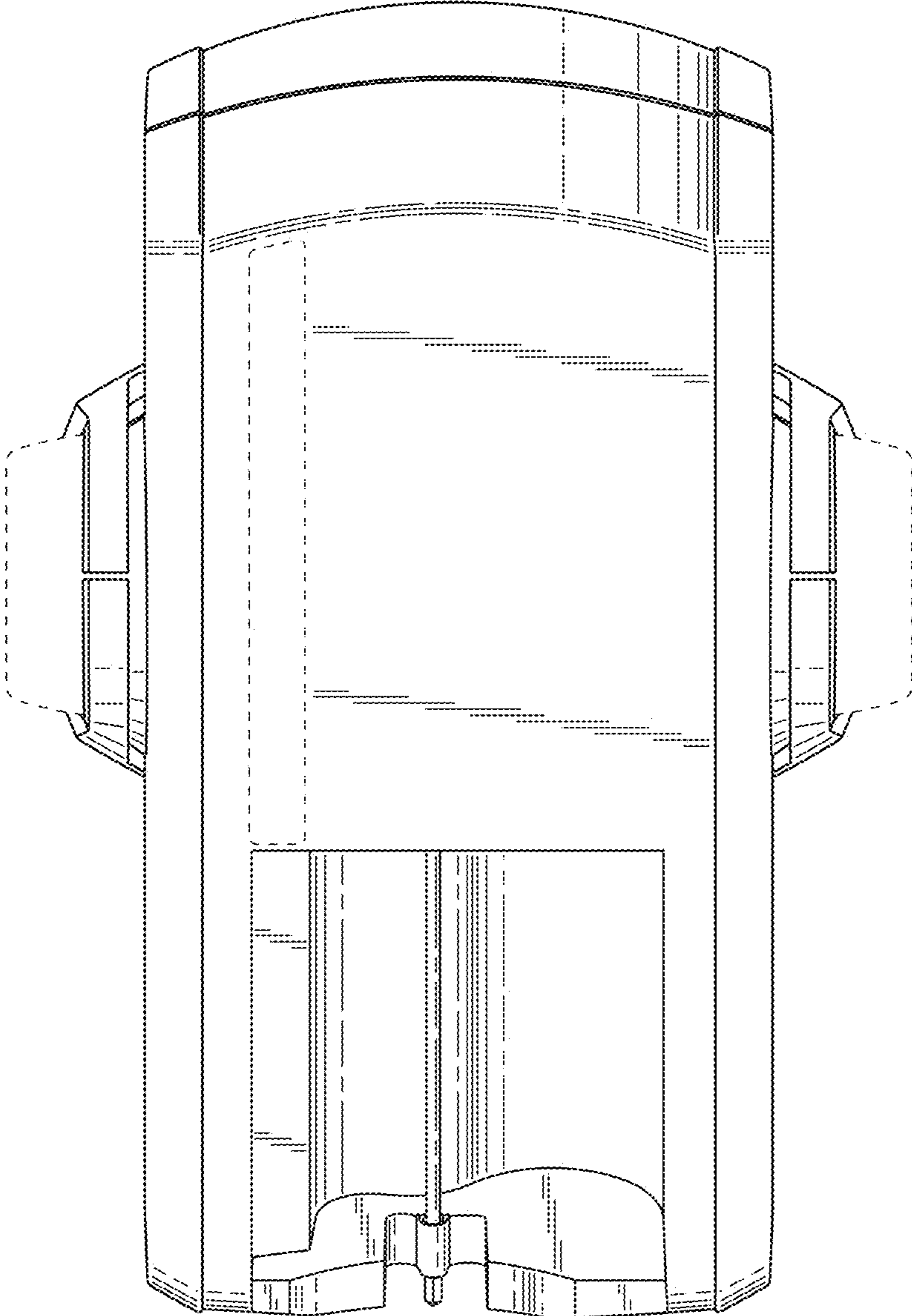


Fig. 6

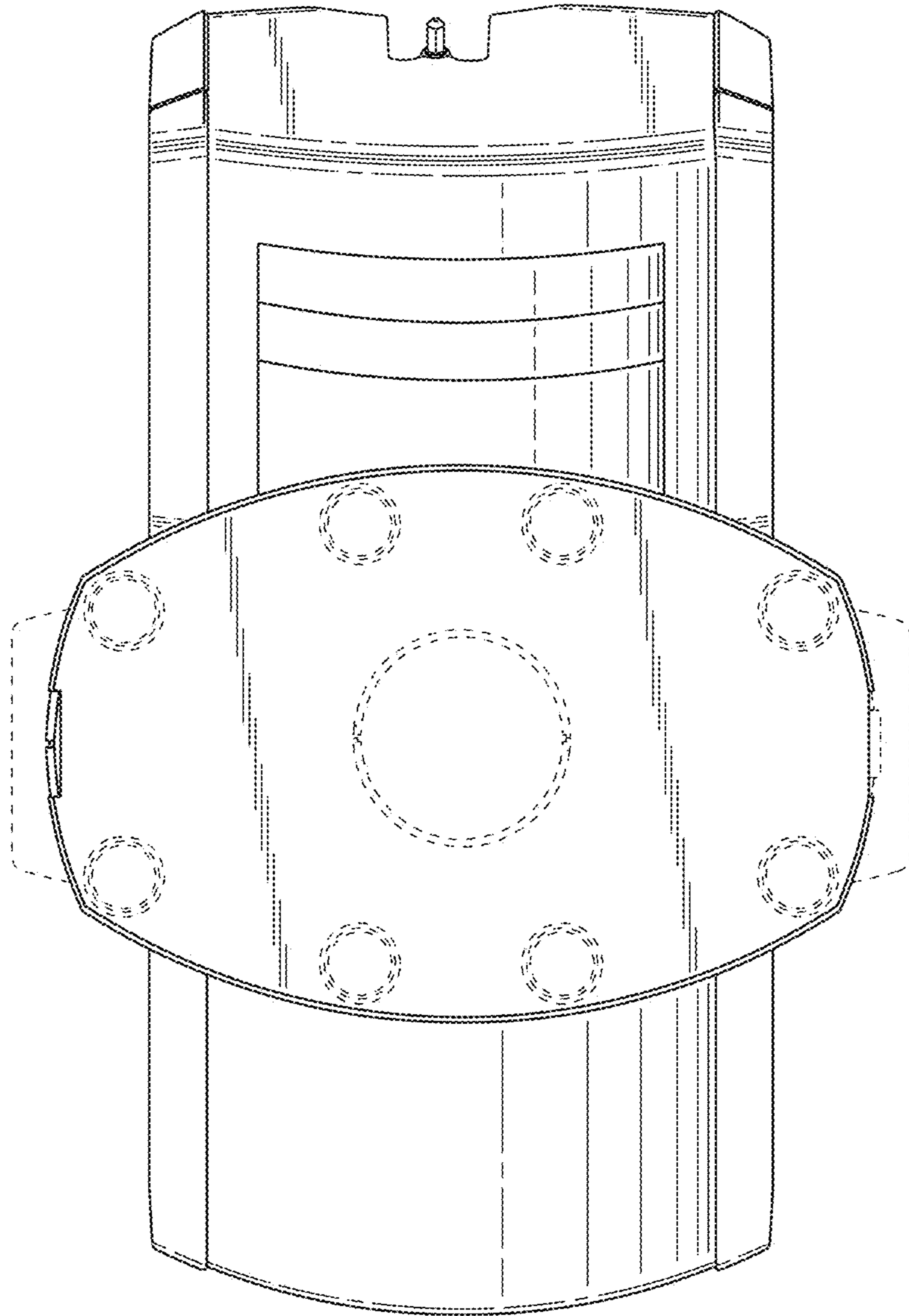


Fig. 7

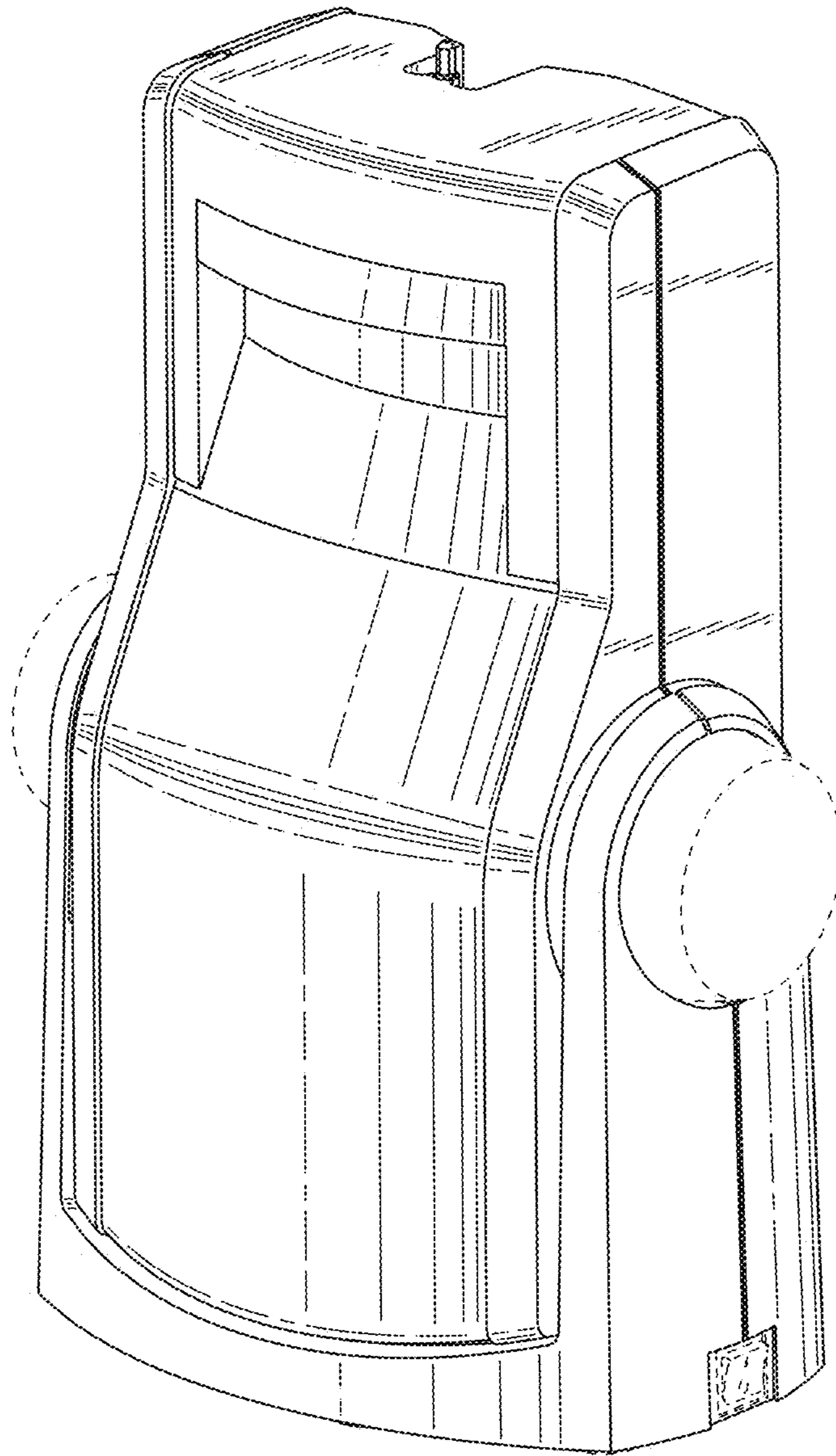


Fig. 8

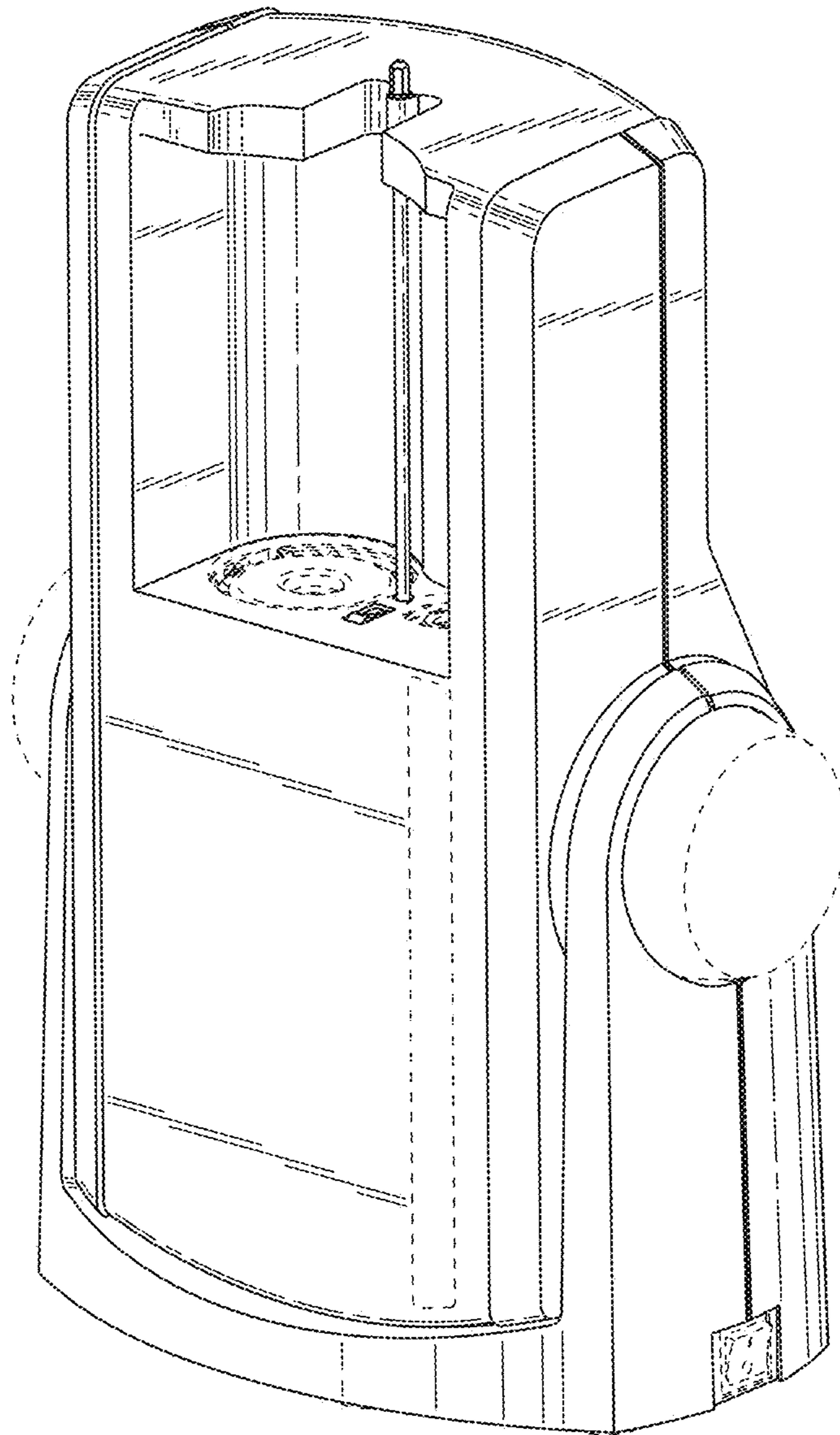


Fig. 9