



US00D710413S

(12) **United States Design Patent**
Schmid et al.

(10) **Patent No.:** **US D710,413 S**

(45) **Date of Patent:** **** Aug. 5, 2014**

(54) **CARTRIDGES FOR MIXING MACHINES**

(56) **References Cited**

(71) Applicant: **3M Innovative Properties Company**,
St. Paul, MN (US)

U.S. PATENT DOCUMENTS

(72) Inventors: **Rudolf Schmid**, Eichenau (DE);
Manfred Harre, Landsberg am Lech
(DE); **Emir Jelovac**, München (DE);
Thomas Müller, Gauting (DE);
Christian Richter, Feldafing (DE);
Korbinian Schepke-Gerlach, Gauting
(DE); **Stefan Welker**, Geltendörf (DE);
Andreas Bergstäßer, Albaching (DE);
Özcan Dönmez, Landsberg am Lech
(DE)

D213,917	S	*	4/1969	Peterson	D15/147
4,198,373	A	*	4/1980	Kropp et al.	422/49
D264,218	S	*	5/1982	Neuner et al.	D15/147
D343,003	S	*	1/1994	Mechler et al.	D24/220
D343,458	S	*	1/1994	Mechler et al.	D24/220
D346,223	S	*	4/1994	Mechler et al.	D24/220
D393,476	S	*	4/1998	Lodige	D15/147
D394,072	S	*	5/1998	McAvinney et al.	D15/148
5,906,433	A	*	5/1999	Mazzalveri	
D421,616	S	*	3/2000	Shimizu	D15/147
D467,659	S	*	12/2002	Horth	D24/152
D582,458	S	*	12/2008	Tognetti et al.	D15/199
D583,398	S	*	12/2008	Seiler	D15/147

(Continued)

(73) Assignee: **3M Innovative Properties Company**,
St. Paul, MN (US)

Primary Examiner — Patricia Palasik

(**) Term: **14 Years**

(57) **CLAIM**

The ornamental design for cartridges for mixing machines, as shown and described.

(21) Appl. No.: **29/468,935**

(22) Filed: **Oct. 4, 2013**

DESCRIPTION

(30) **Foreign Application Priority Data**

Apr. 8, 2013 (EM) 1367114 1/8

(51) **LOC (10) Cl.** **15-99**

(52) **U.S. Cl.**
USPC **D15/147**

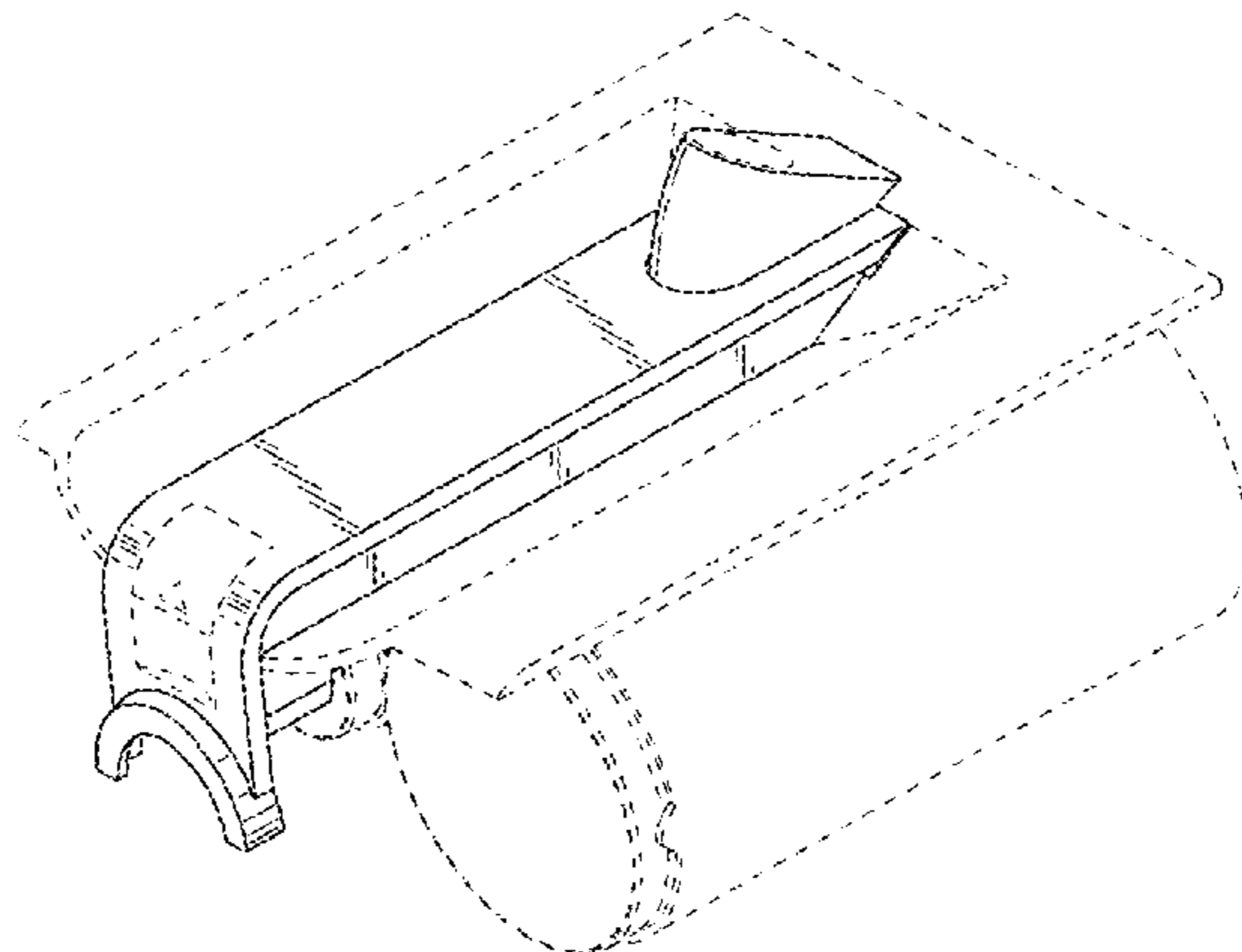
(58) **Field of Classification Search**
USPC D7/370, 376, 377, 378, 380, 384, 386;
D15/135, 136, 138, 147; 76/107.1;
241/69, 101.8, 180, 181; 250/281, 282,
250/285, 287, 288, 290-292; 277/95;
366/47, 47.31, 48, 48.28, 57, 60, 63,
366/76.7, 143, 149, 168.1, 185, 192, 232,
366/241-260, 288, 309, 326.1, 601, 604,
366/605

FIG. 1 is a perspective view of a cartridge for a mixing machine with the handle in the closed position showing the new design for a cartridges for mixing machines;
FIG. 2 is a front view thereof;
FIG. 3 is a rear view thereof;
FIG. 4 is a right side view thereof;
FIG. 5 is a left side view thereof;
FIG. 6 is a top view thereof; and,
FIG. 7 is a bottom view thereof.

The broken lines in the drawings are shown for illustrative purposes only and form no part of the claimed design. In addition, the surface shading illustrated in the drawings is provided merely to highlight contour of design; it is not intended to be illustrative of texture or gloss.

See application file for complete search history.

1 Claim, 4 Drawing Sheets



US D710,413 S

Page 2

(56)

References Cited

U.S. PATENT DOCUMENTS

D594,118 S *	6/2009	Bergstraesser et al.	D24/133	D625,345 S *	10/2010	Bare et al.	D15/138
D598,036 S *	8/2009	Bergstraesser et al.	D15/147	D662,117 S *	6/2012	Dorbath	D15/147
D598,479 S *	8/2009	Seiler	D15/147	D671,986 S *	12/2012	Kott	D19/1
				D695,324 S	12/2013	Ballweg	
				2010/0124144 A1 *	5/2010	Thomas et al.	366/149

* cited by examiner

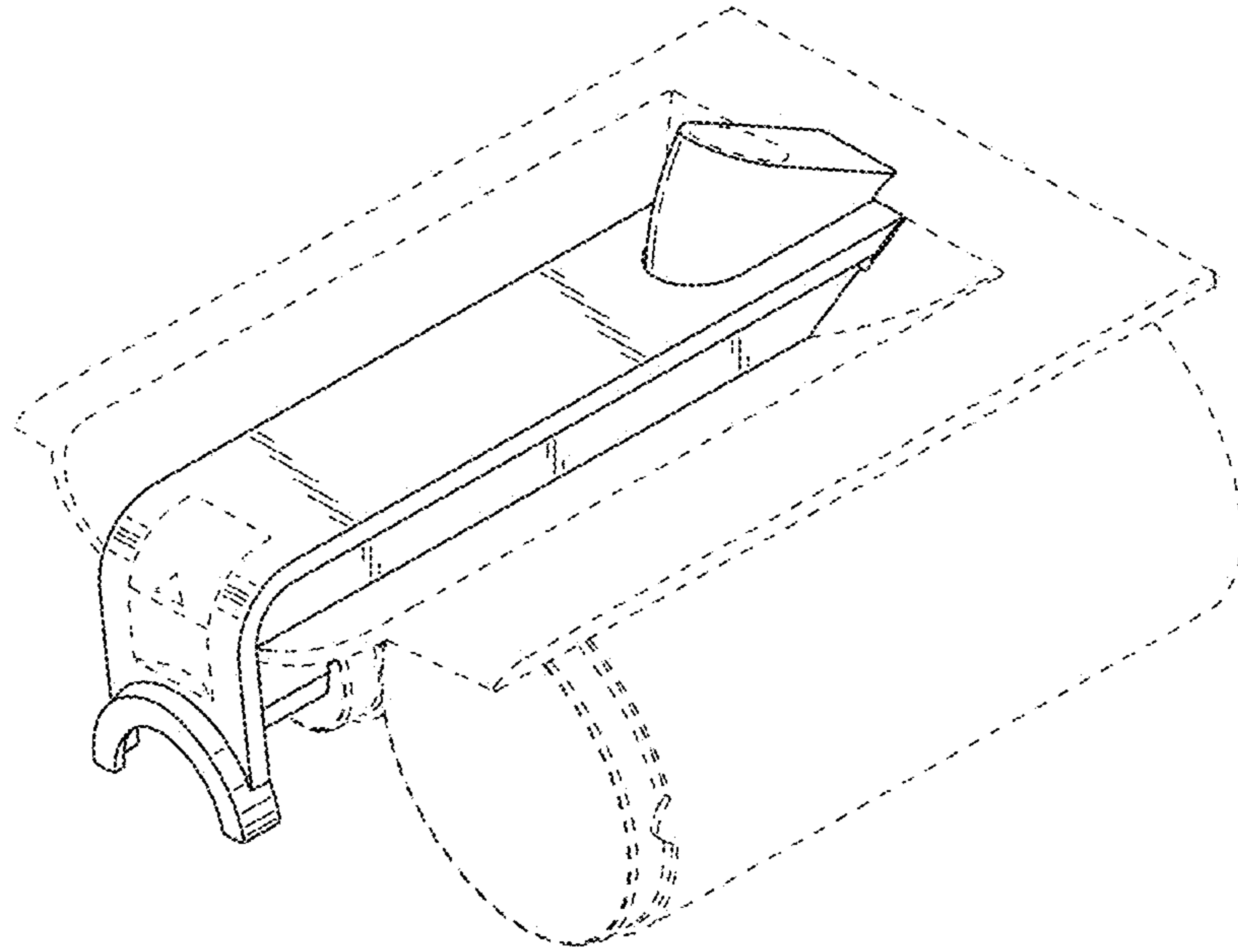


Fig. 1

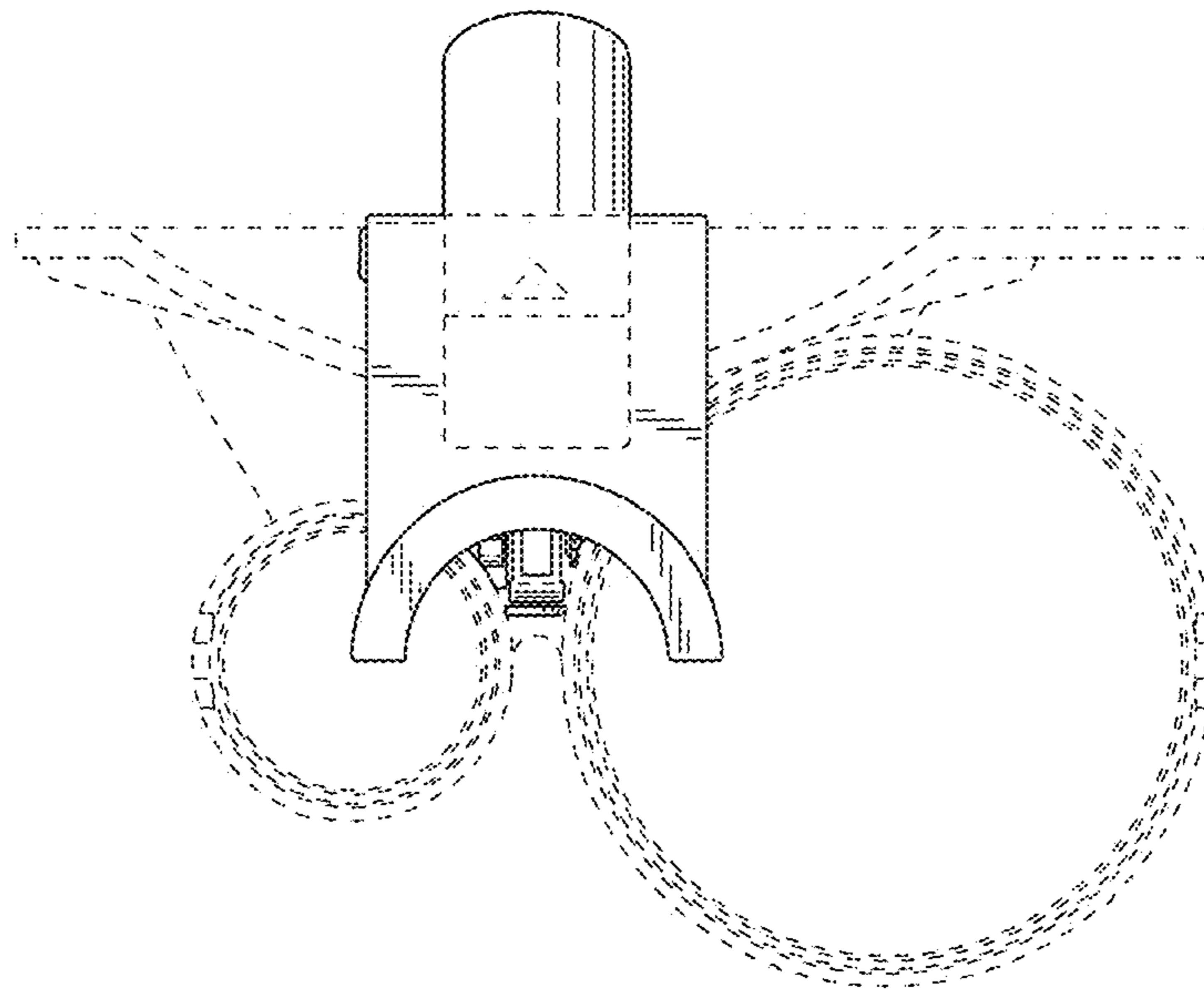


Fig. 2

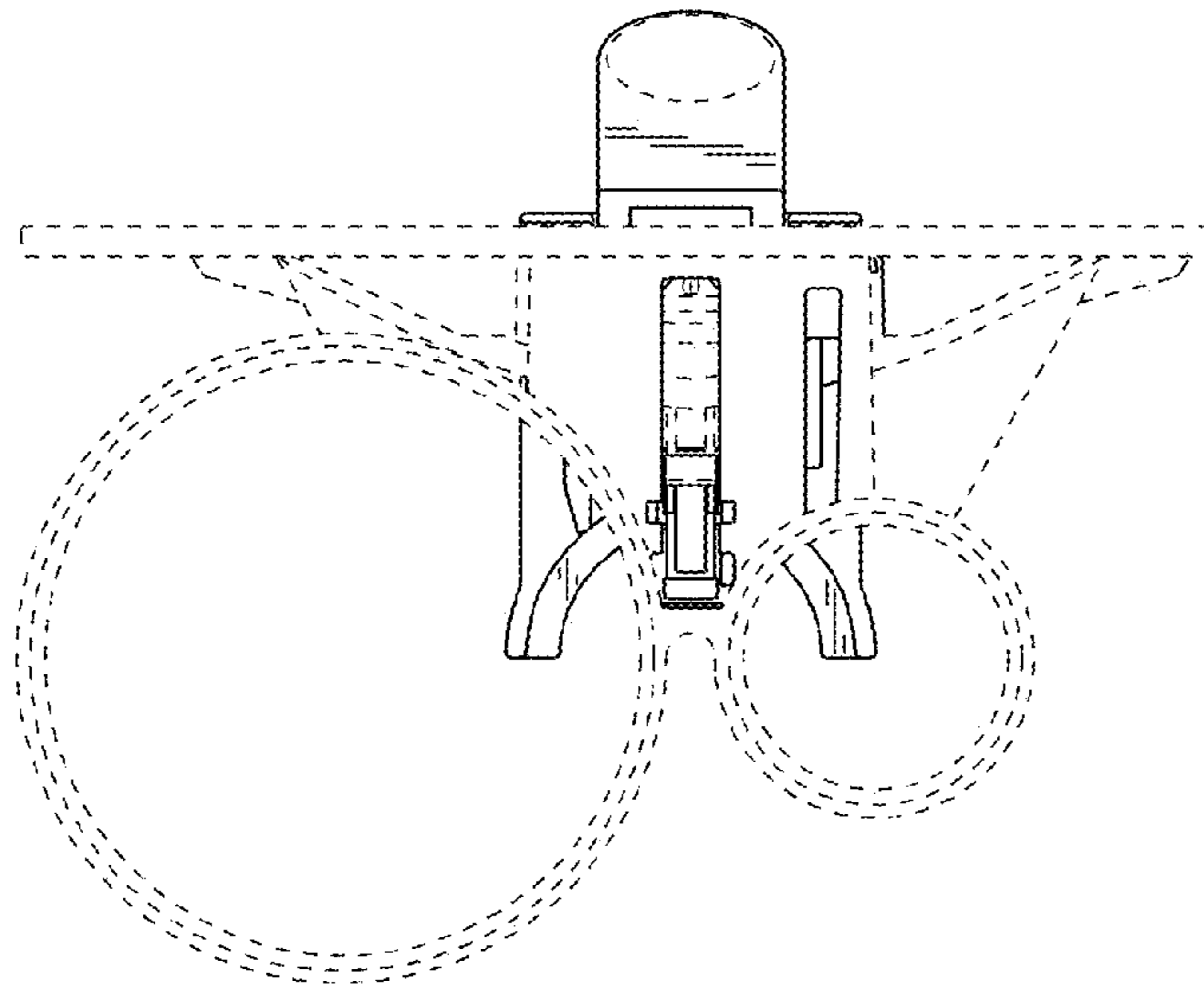


Fig. 3

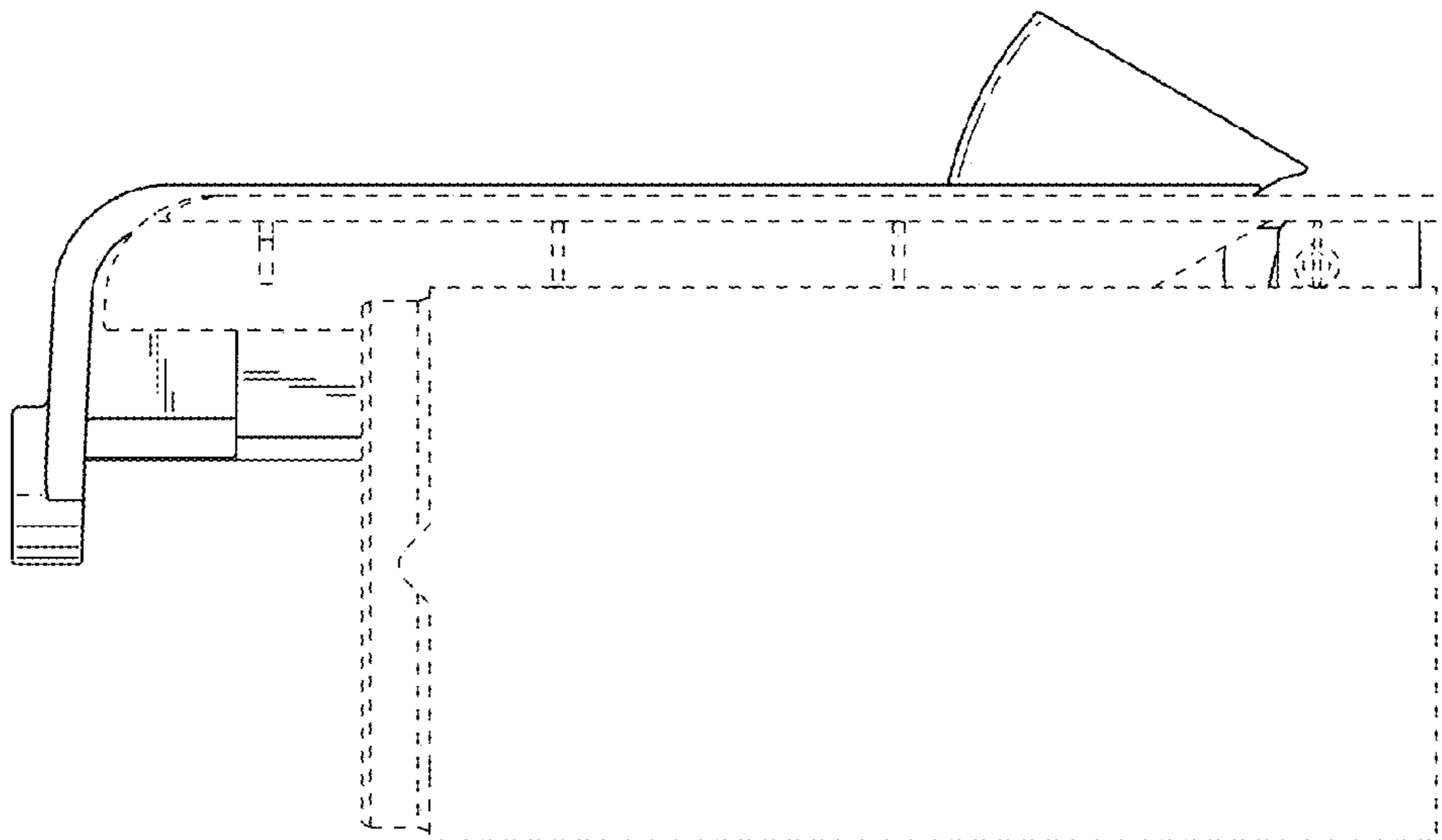


Fig. 4

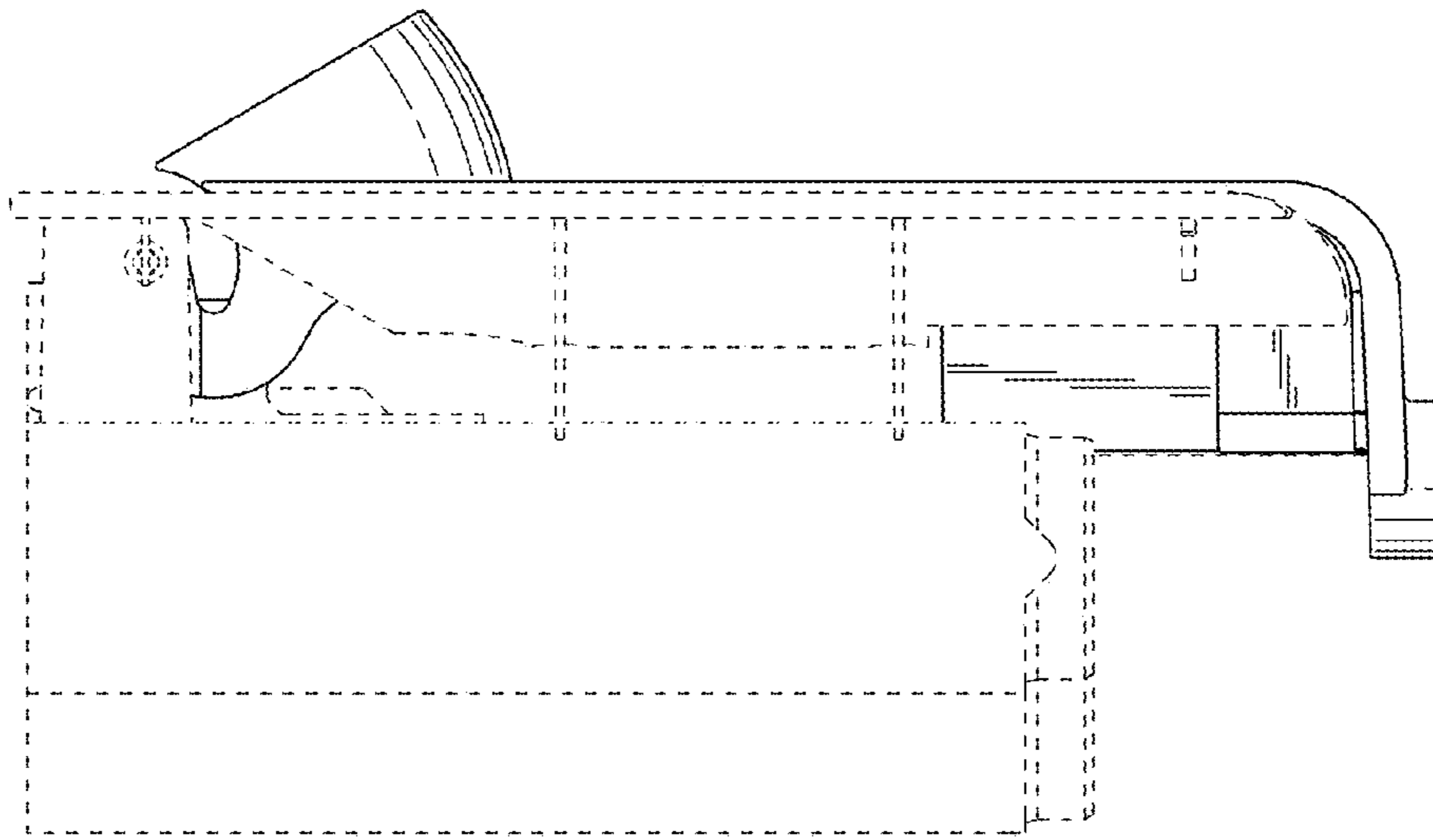


Fig. 5

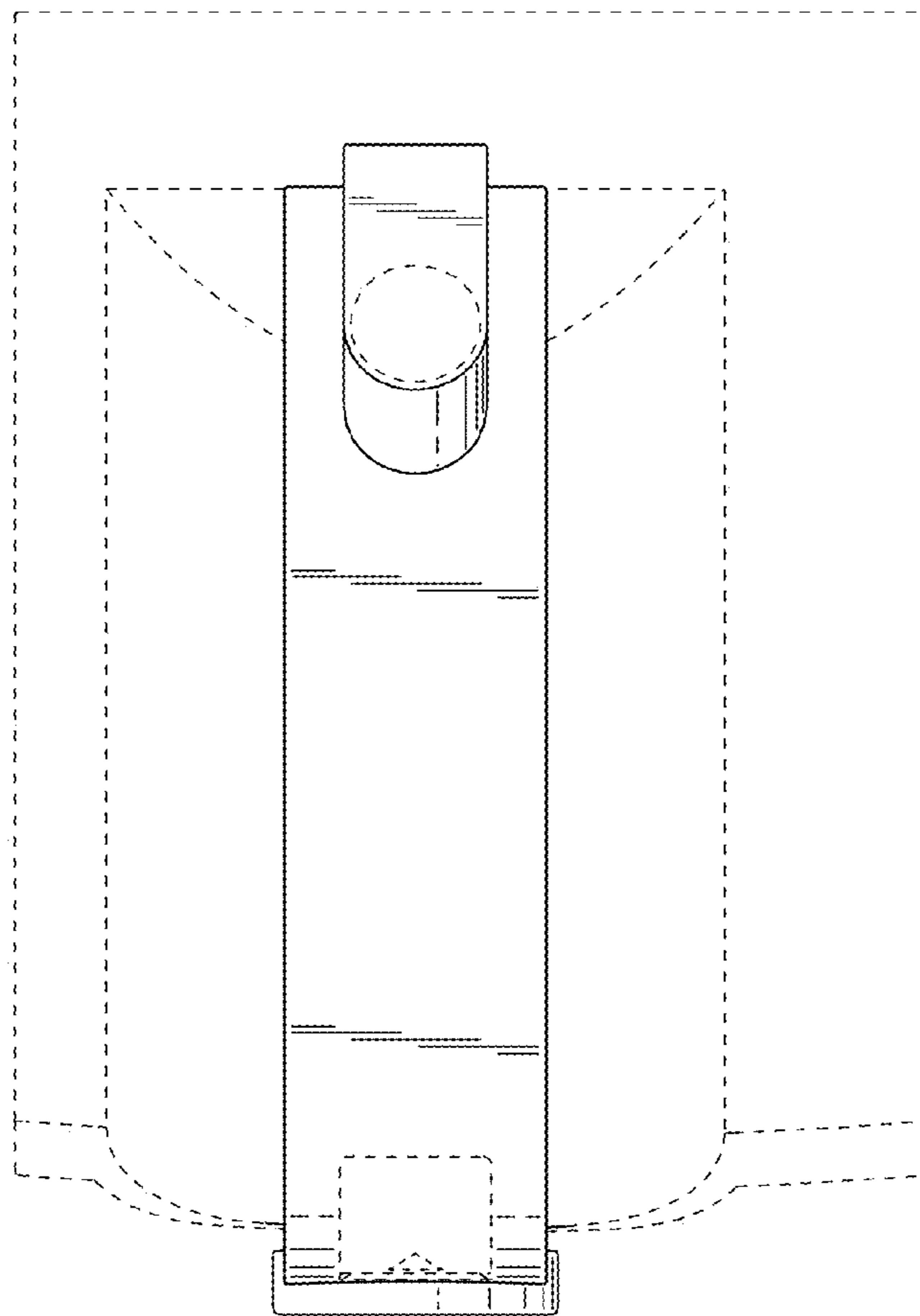


Fig. 6

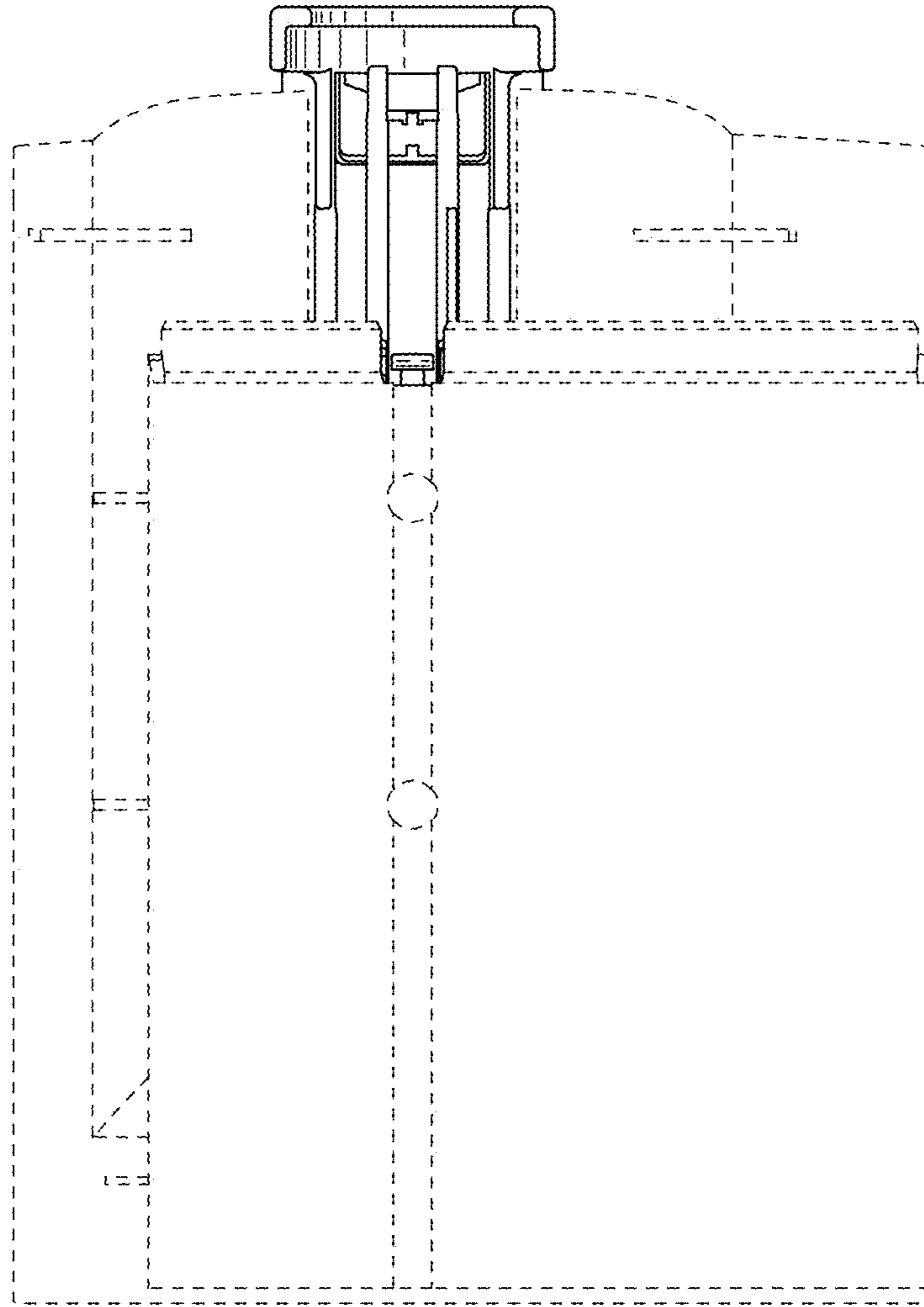


Fig. 7

UNITED STATES PATENT AND TRADEMARK OFFICE
CERTIFICATE OF CORRECTION

PATENT NO. : D710,413 S
APPLICATION NO. : 29/468935
DATED : August 5, 2014
INVENTOR(S) : Rudolf Schmid et al.

Page 1 of 1

It is certified that error appears in the above-identified patent and that said Letters Patent is hereby corrected as shown below:

On the Title Page

Column 1 (Title, item 54)

Line 1, delete "CARTRIDGES" and insert -- CARTRIDGE --, therefor.

Column 1 (Inventors, item 72)

Line 8, delete "Bergstäßer" and insert -- Bergsträßer --, therefor.

In the Claims

Column 2

Line 1, delete "cartridges" and insert -- cartridge --, therefor.

Signed and Sealed this
Twenty-eighth Day of April, 2015



Michelle K. Lee
Director of the United States Patent and Trademark Office