



US00D710411S

(12) **United States Design Patent**
Matsubara

(10) **Patent No.:** **US D710,411 S**

(45) **Date of Patent:** **** Aug. 5, 2014**

(54) **CUTTING INSERT**

(71) Applicant: **Sumitomo Electric Hardmetal Corp.,**
Itami (JP)

(72) Inventor: **Kouki Matsubara,** Itami (JP)

(73) Assignee: **Sumitomo Electric Hardmetal Corp.,**
Itami-shi (JP)

(**) Term: **14 Years**

(21) Appl. No.: **29/484,191**

(22) Filed: **Mar. 6, 2014**

Related U.S. Application Data

(62) Division of application No. 29/448,054, filed on Mar. 8, 2013.

(30) **Foreign Application Priority Data**

Sep. 10, 2012 (JP) 2012-021716
Sep. 10, 2012 (JP) 2012-021717

(51) **LOC (10) Cl.** **15-09**

(52) **U.S. Cl.**
USPC **D15/139**

(58) **Field of Classification Search**
USPC D8/70, 71; D15/131, 138, 139, 140;
407/35, 42, 112-119
See application file for complete search history.

(56) **References Cited**

U.S. PATENT DOCUMENTS

D372,486 S 8/1996 Morris
D442,191 S 5/2001 Alexander, IV

6,238,133 B1 * 5/2001 DeRoche et al. 403/359.1
D445,809 S 7/2001 Alexander, IV
D445,810 S 7/2001 Alexander, IV
D635,163 S * 3/2011 Michelet et al. D15/139
D635,164 S * 3/2011 Nelson et al. D15/139
D673,194 S * 12/2012 Kovac et al. D15/139
2006/0245837 A1 * 11/2006 Dufour et al. 409/132
2011/0123283 A1 * 5/2011 Michelet et al. 407/113

* cited by examiner

Primary Examiner — Patricia Palasik

(74) *Attorney, Agent, or Firm* — Venable LLP; Michael A. Sartori; Tamatane J. Aga

(57) **CLAIM**

The ornamental design for a cutting insert, as shown and described.

DESCRIPTION

FIG. 1 is a perspective view of the front, top and right side of a cutting insert according to a second embodiment showing my new design;
FIG. 2 is a front view thereof;
FIG. 3 is a top view thereof;
FIG. 4 is a bottom view thereof;
FIG. 5 is a cross-sectional view thereof along line 5-5 of FIG. 2;
FIG. 6 is a cross-sectional view thereof along line 6-6 of FIG. 3;
FIG. 7 is a reference view showing the usage thereof; and,
FIG. 8 is a reference view showing the usage thereof.
The portions of the article in broken lines are shown for illustrative purposes only and form no part of the claimed design.

1 Claim, 6 Drawing Sheets

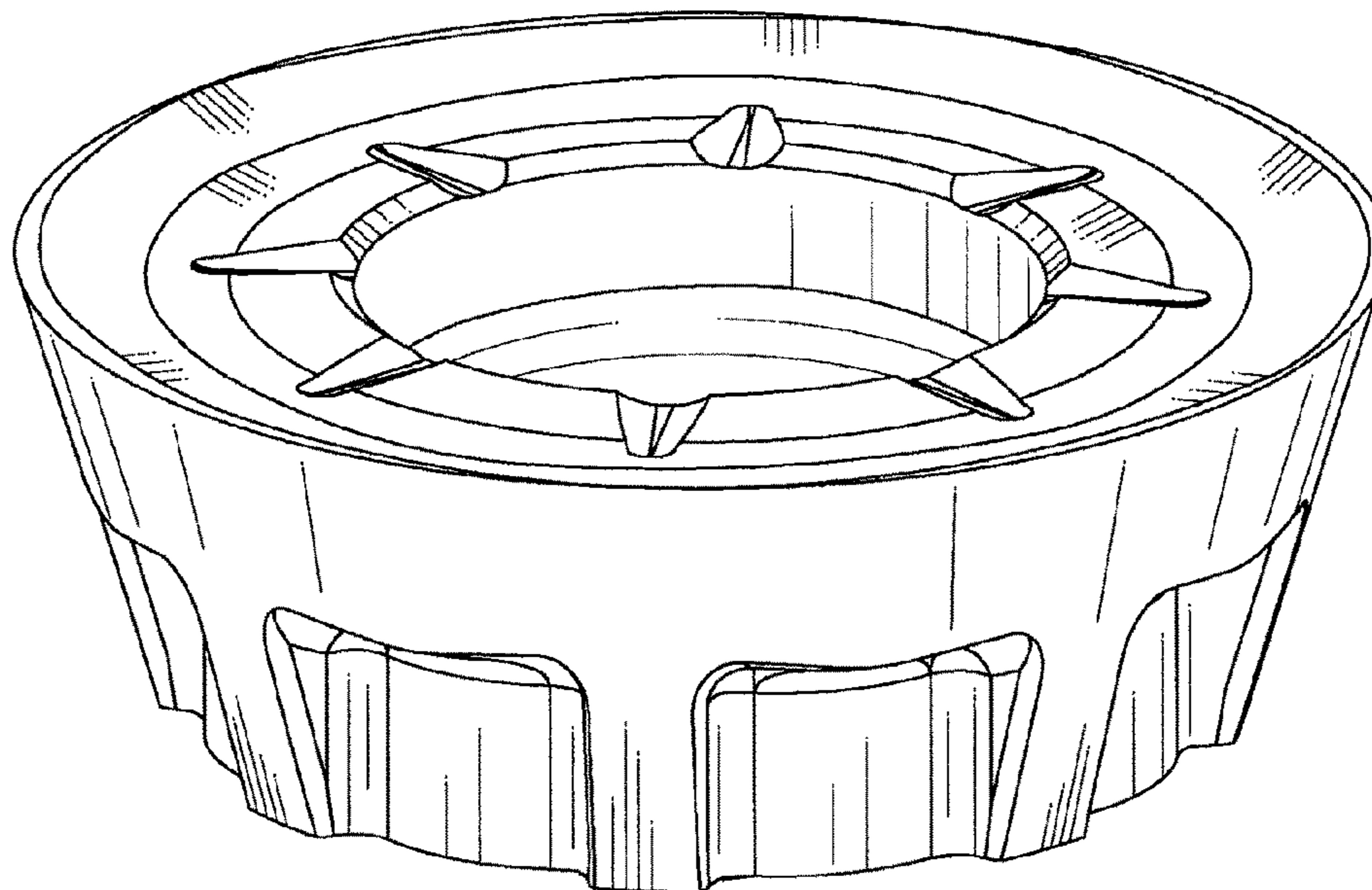


Fig. 1

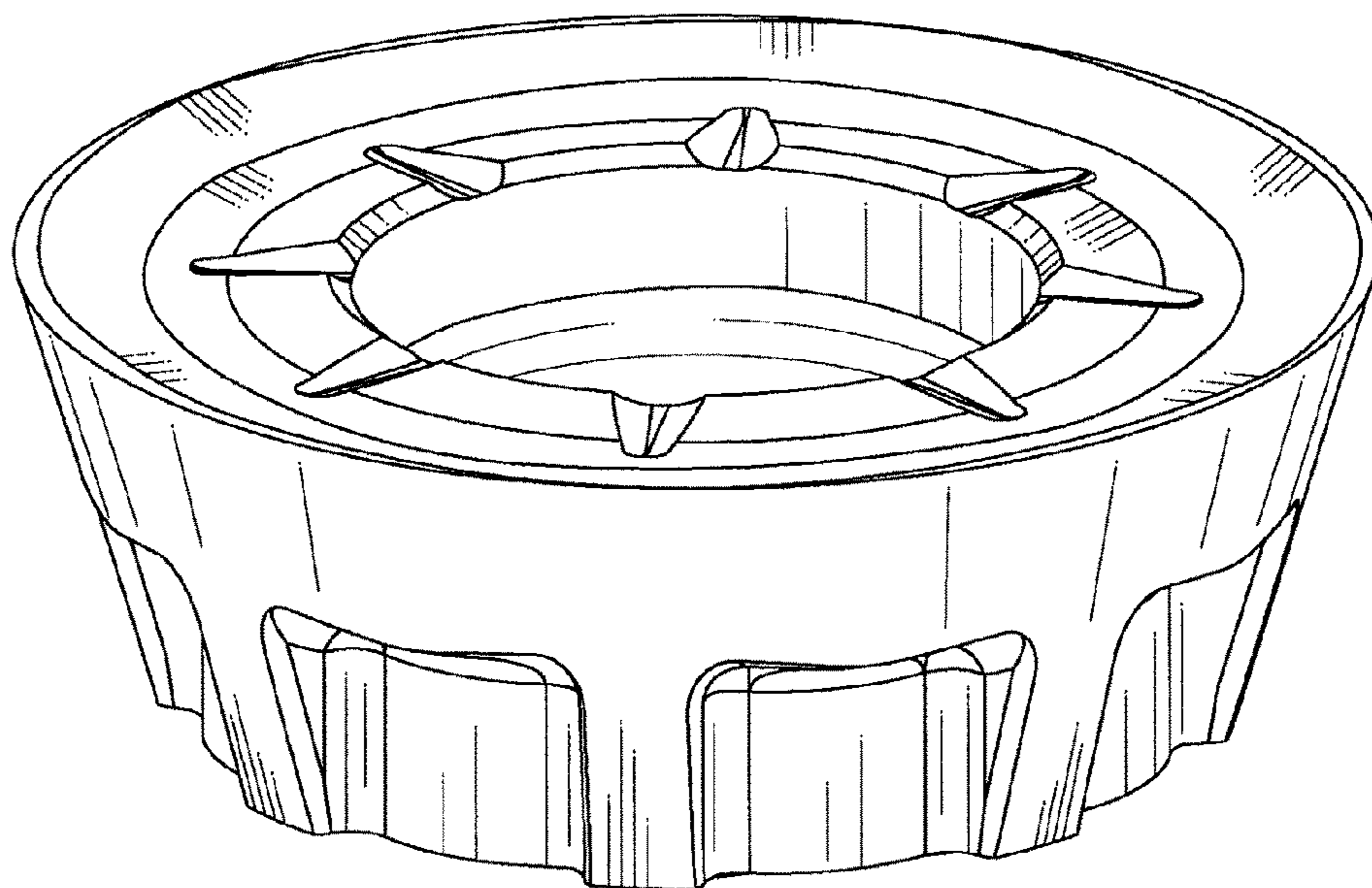


Fig. 2

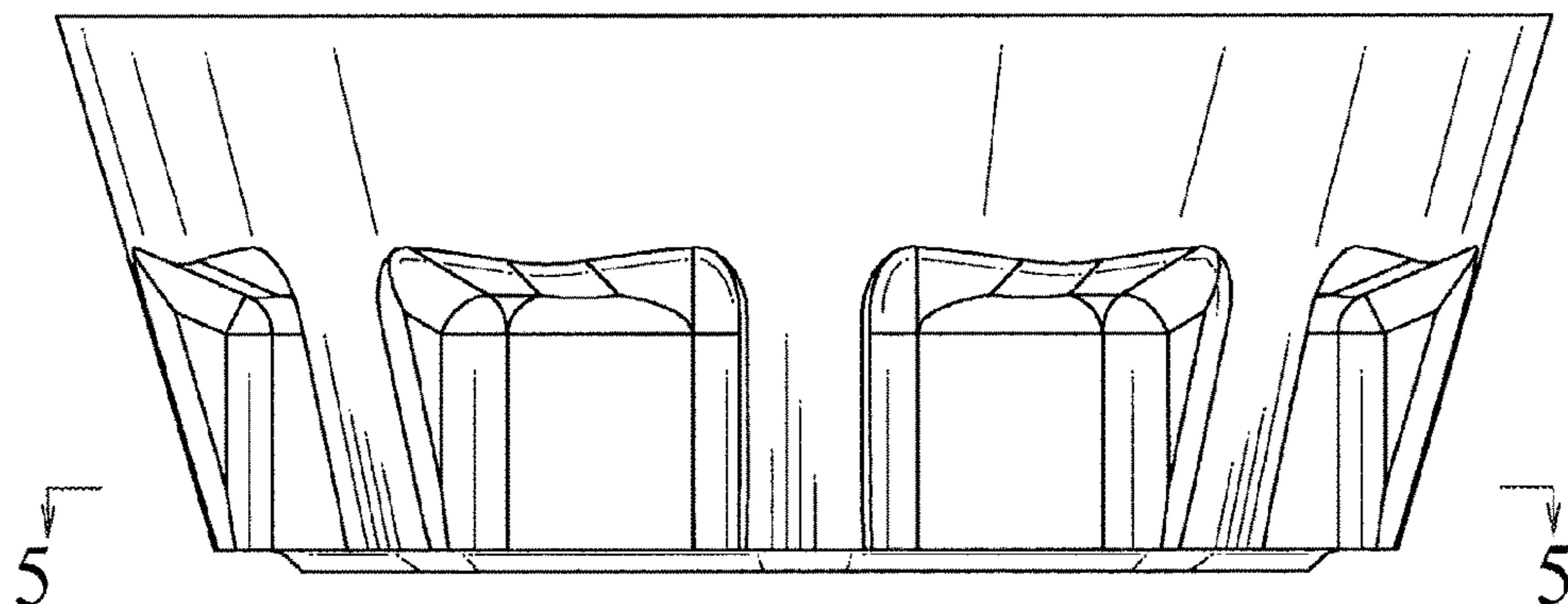
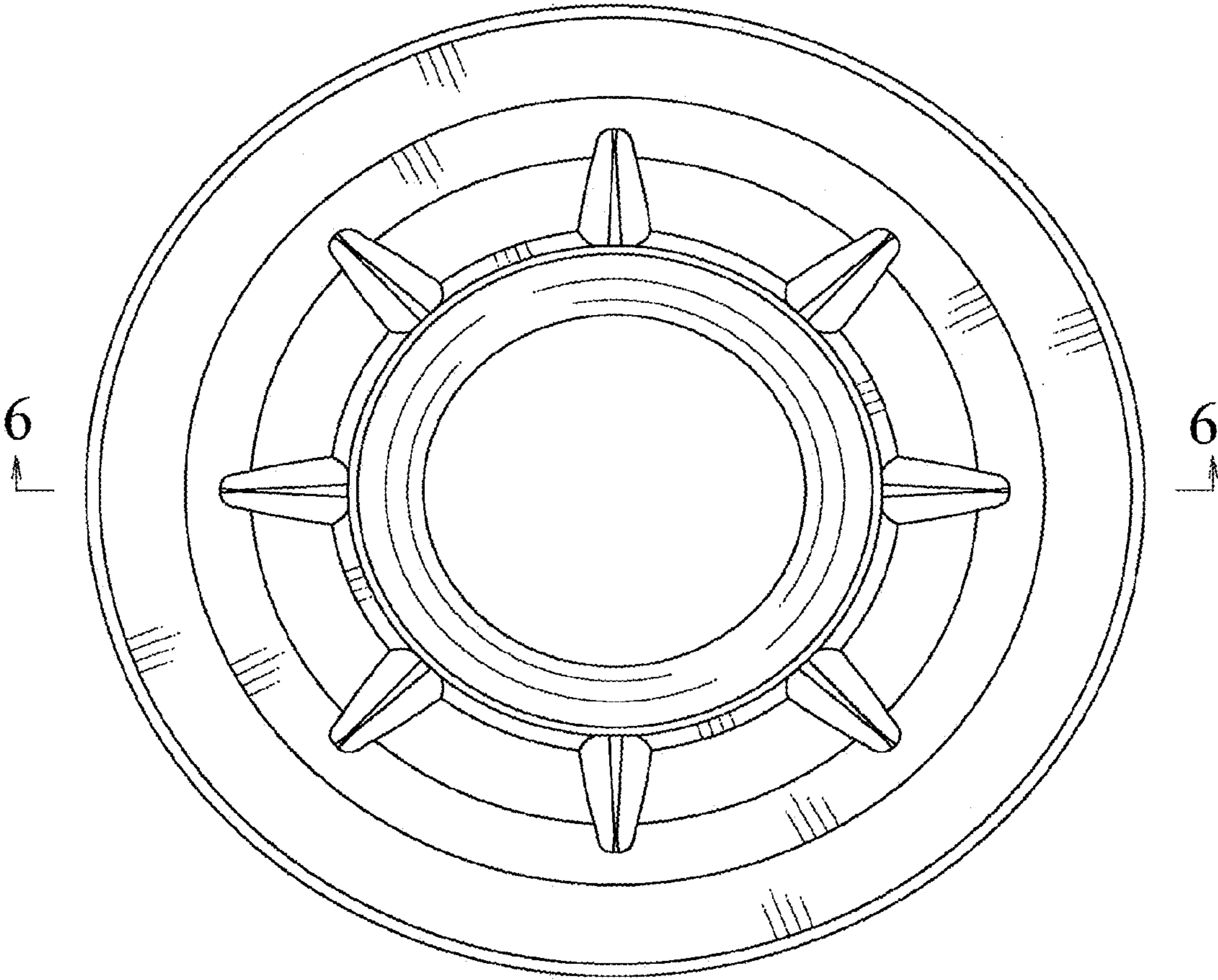


Fig. 3



6

6

Fig. 4

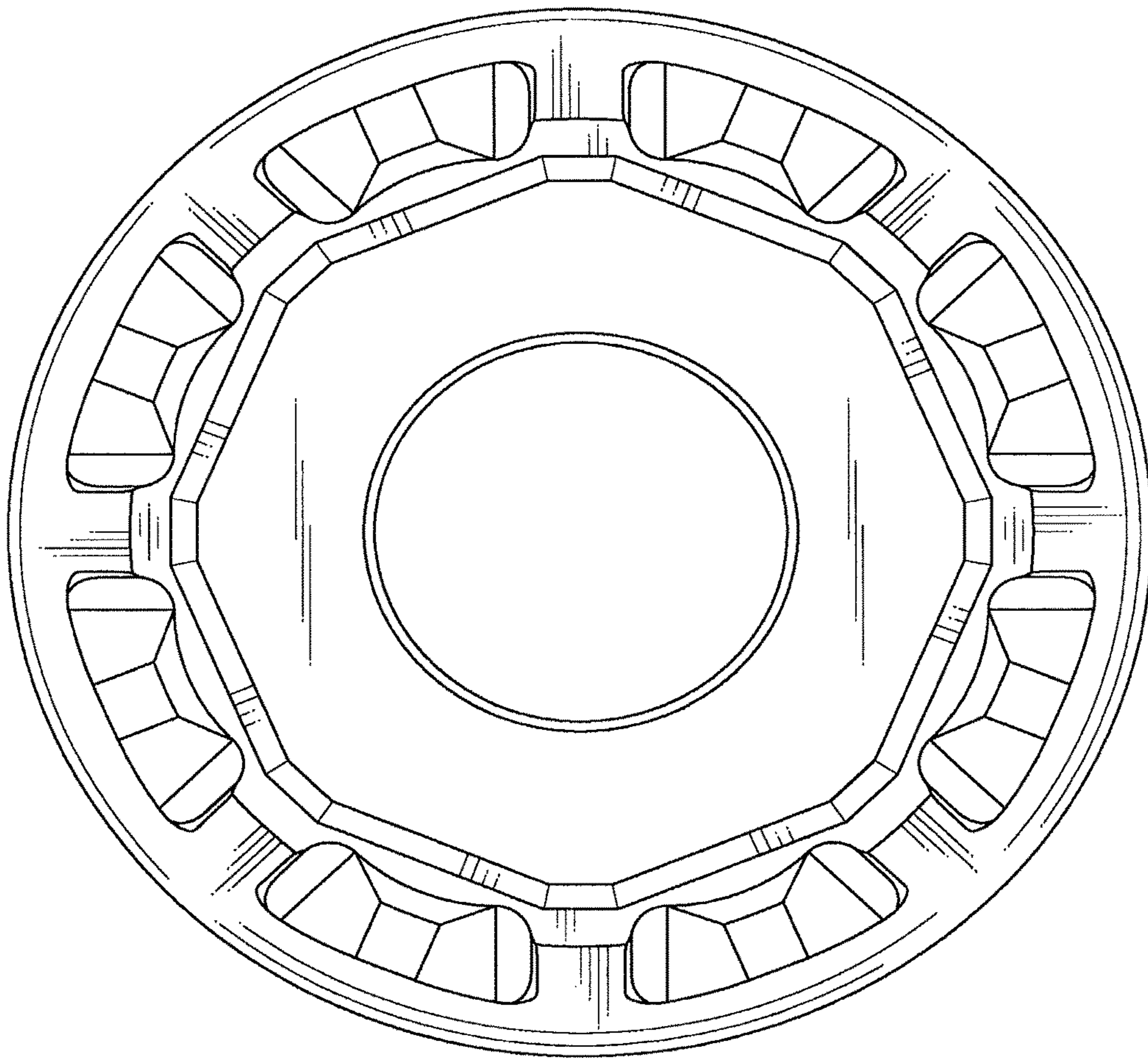


Fig. 5

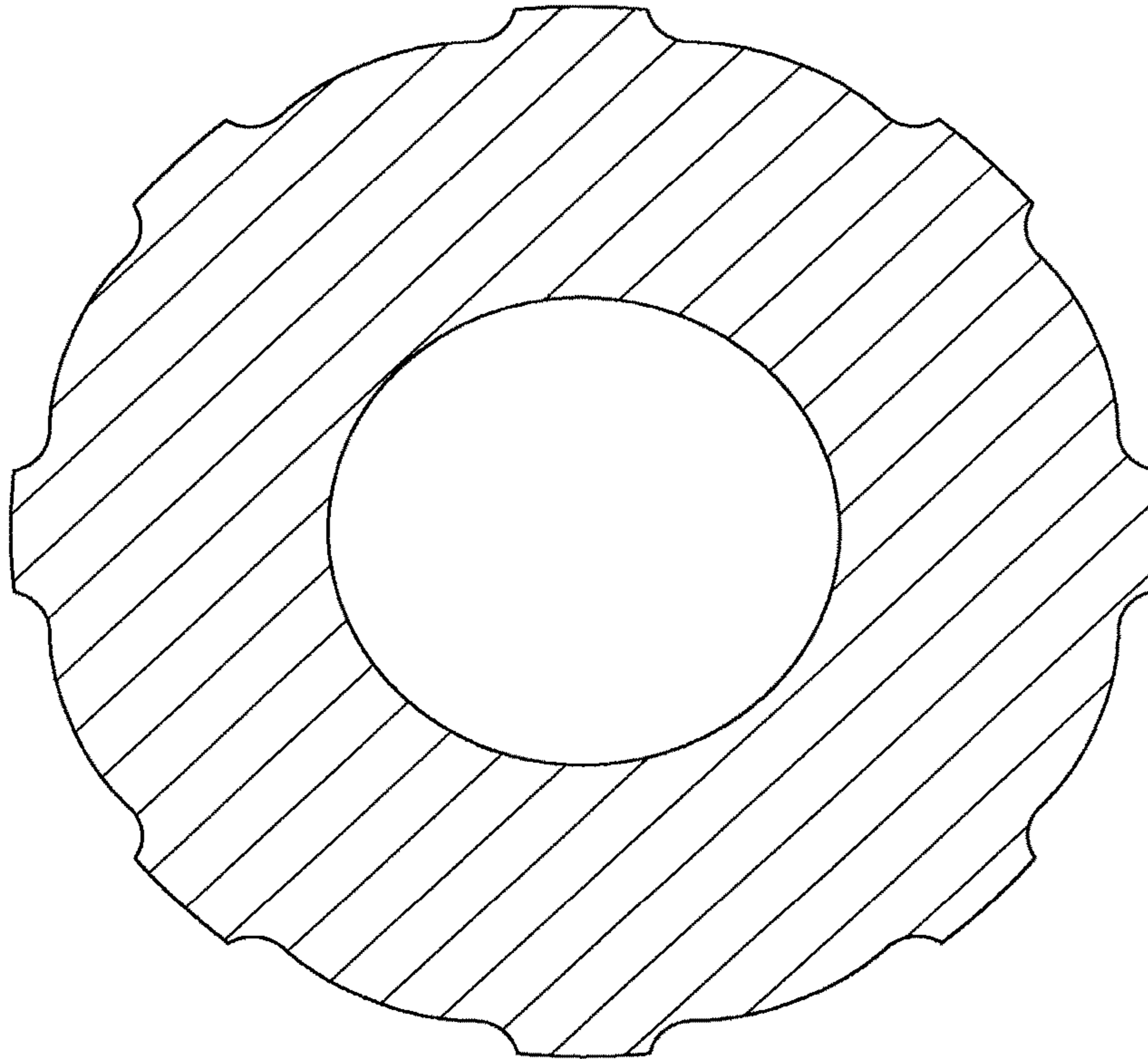


Fig. 6

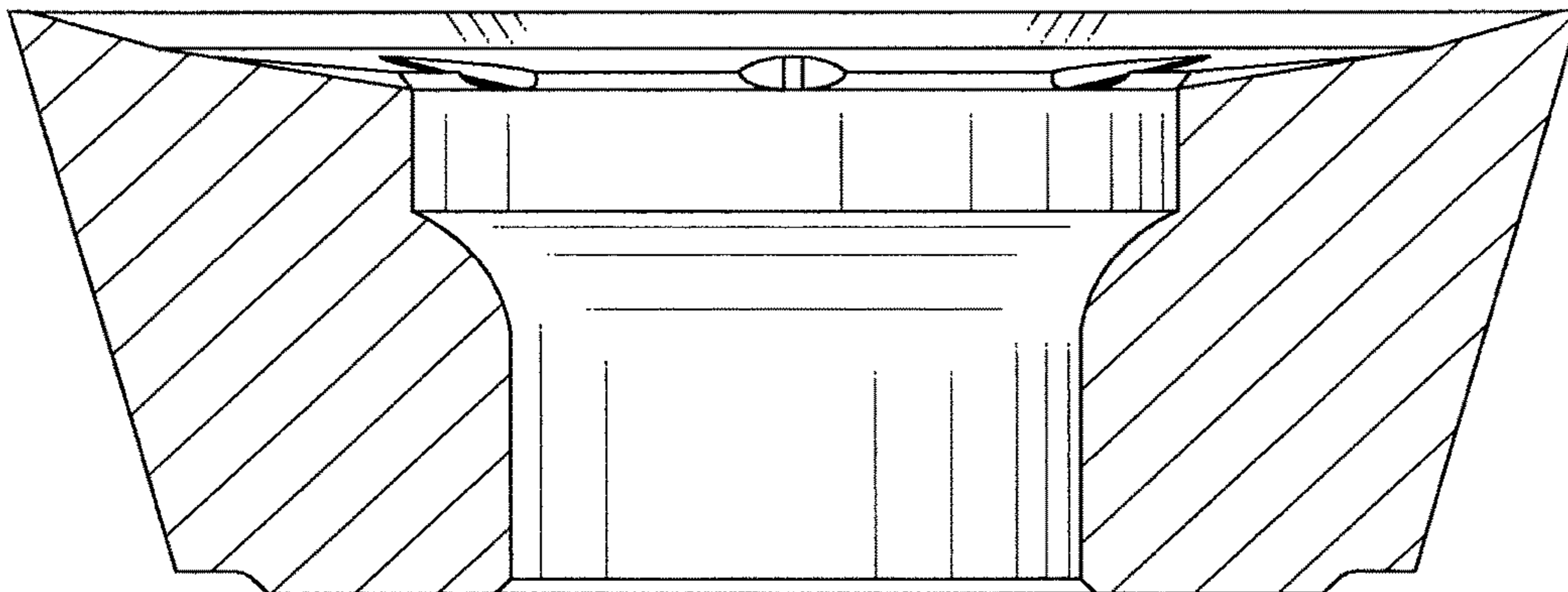


Fig. 7

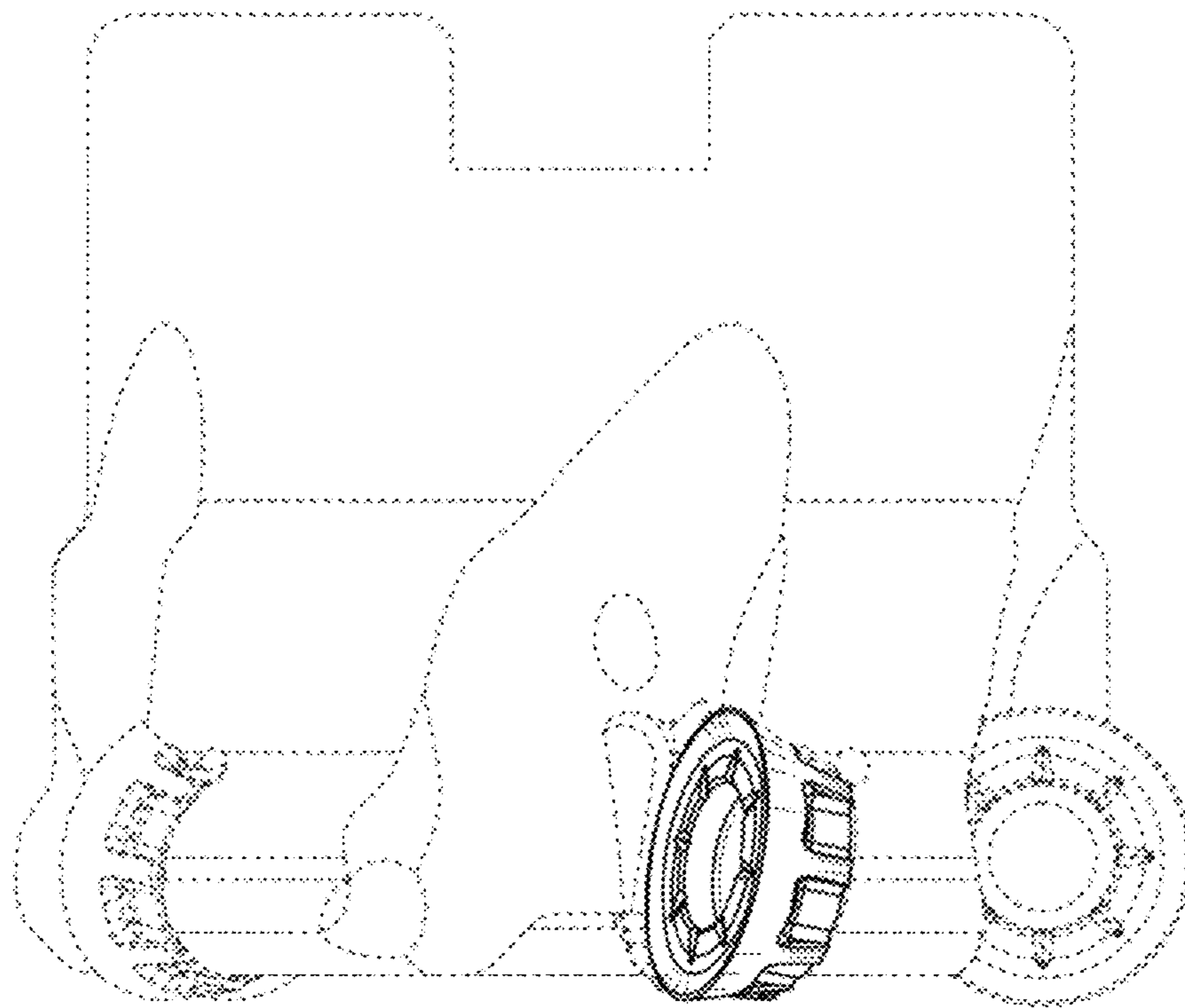


Fig. 8

