



US00D710410S

(12) **United States Design Patent**
Liao

(10) **Patent No.:** **US D710,410 S**
(45) **Date of Patent:** **** Aug. 5, 2014**

(54) **CROWN SAW**

(71) Applicant: **Shajeng Hardware Co., Ltd.**, Taichung (TW)

(72) Inventor: **Jen Tsung Liao**, Taichung (TW)

(73) Assignee: **Shajeng Hardware Co., Ltd.**, Taichung (TW)

(**) Term: **14 Years**

(21) Appl. No.: **29/477,267**

(22) Filed: **Dec. 20, 2013**

(51) **LOC (10) Cl.** **15-09**

(52) **U.S. Cl.**
USPC **D15/139**

(58) **Field of Classification Search**
USPC D8/16, 19, 20, 64, 66, 70, 90-99;
D15/127, 133, 138, 139, 140;
D22/117, 118; D24/146, 147; 7/118,
7/148; 30/142, 144, 165, 166.3, 272.1,
30/314, 320, 346, 346.5, 346.55, 346.56,
30/351, 355, 357; 83/676, 835, 837-850;
403/331, 381; 407/9, 33, 34, 42, 54,
407/63, 110, 113, 114, 115; 408/204, 205,
408/224, 226-230

See application file for complete search history.

(56) **References Cited**

U.S. PATENT DOCUMENTS

D363,728 S *	10/1995	Asano	D15/139
D438,219 S *	2/2001	Brutscher	D15/139
D647,546 S *	10/2011	Omi	D15/139
D656,168 S *	3/2012	Omi	D15/139

* cited by examiner

Primary Examiner — Patricia Palasik

(74) *Attorney, Agent, or Firm* — Alan D. Kamrath; Kamrath IP Lawfirm, P.A.

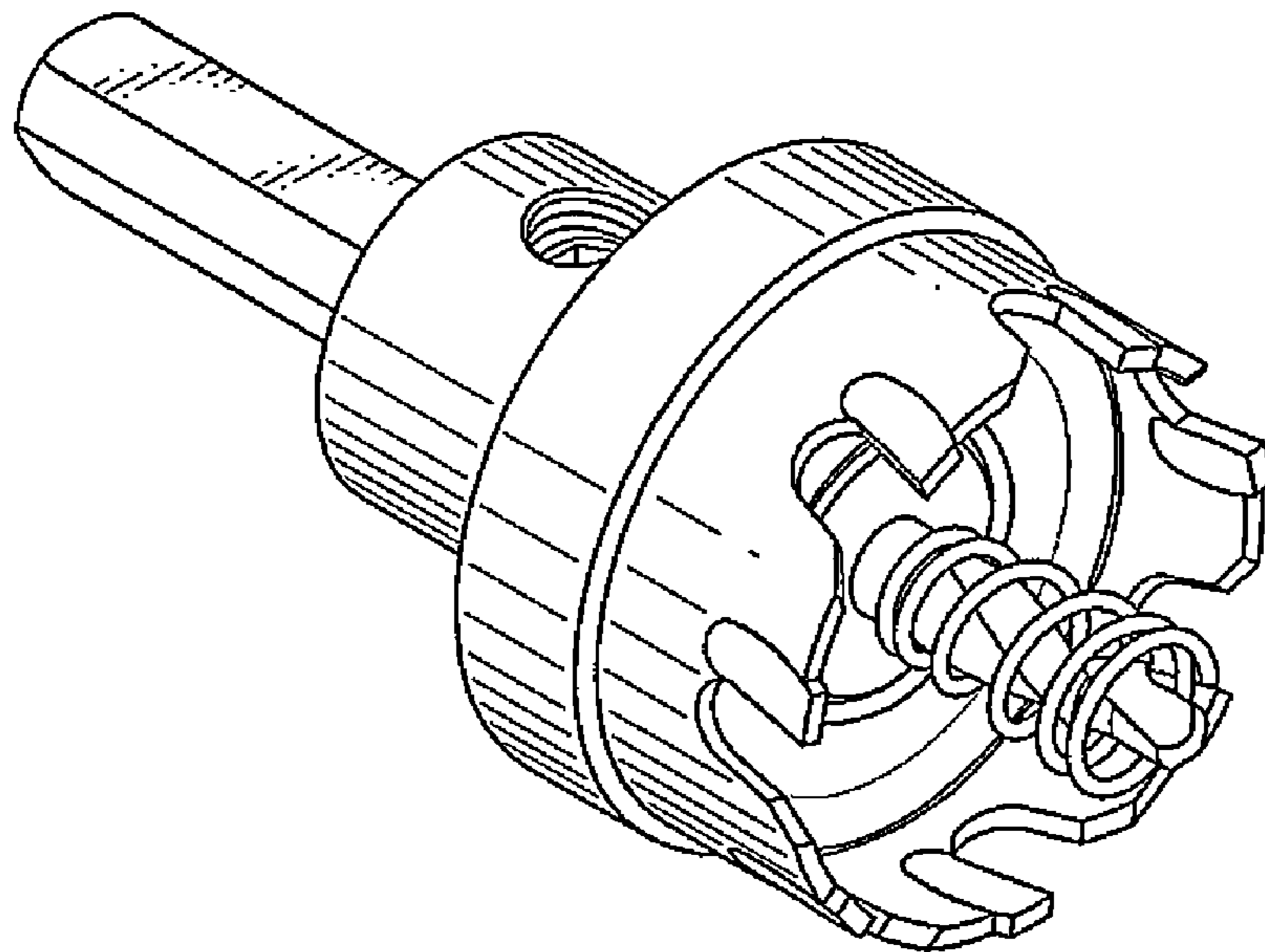
(57) **CLAIM**

I hereby claim the ornamental design for a crown saw, as shown and described above.

DESCRIPTION

FIG. 1 is a perspective view of a crown saw, showing my new design;
FIG. 2 is a front view of the crown saw shown in FIG. 1;
FIG. 3 is a rear view of the crown saw shown in FIG. 1;
FIG. 4 is a left side view of the crown saw shown in FIG. 1;
FIG. 5 is a right side view of the crown saw shown in FIG. 1;
FIG. 6 is a top view of the crown saw shown in FIG. 1; and,
FIG. 7 is a bottom view of the crown saw shown in FIG. 1.

1 Claim, 4 Drawing Sheets



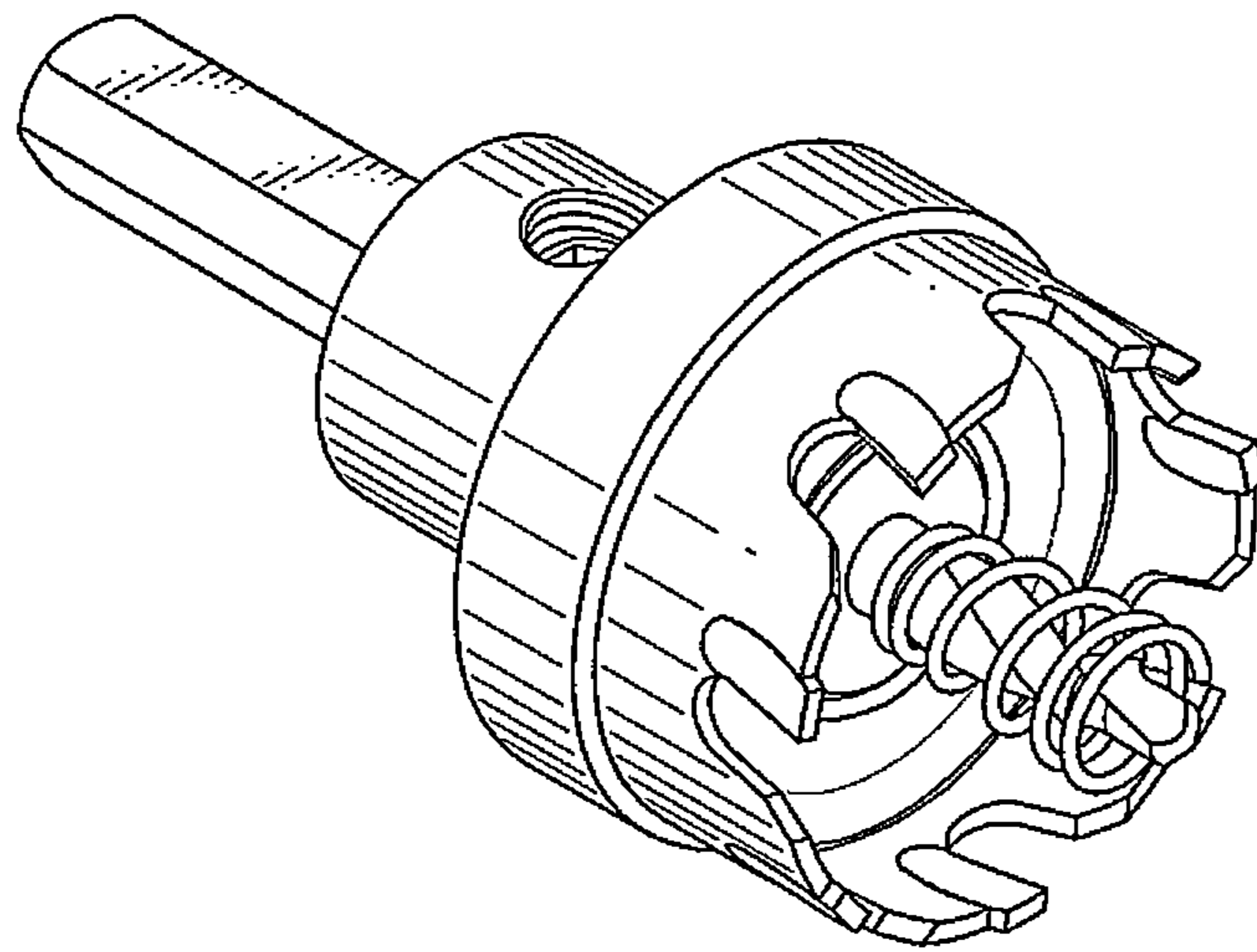


FIG. 1

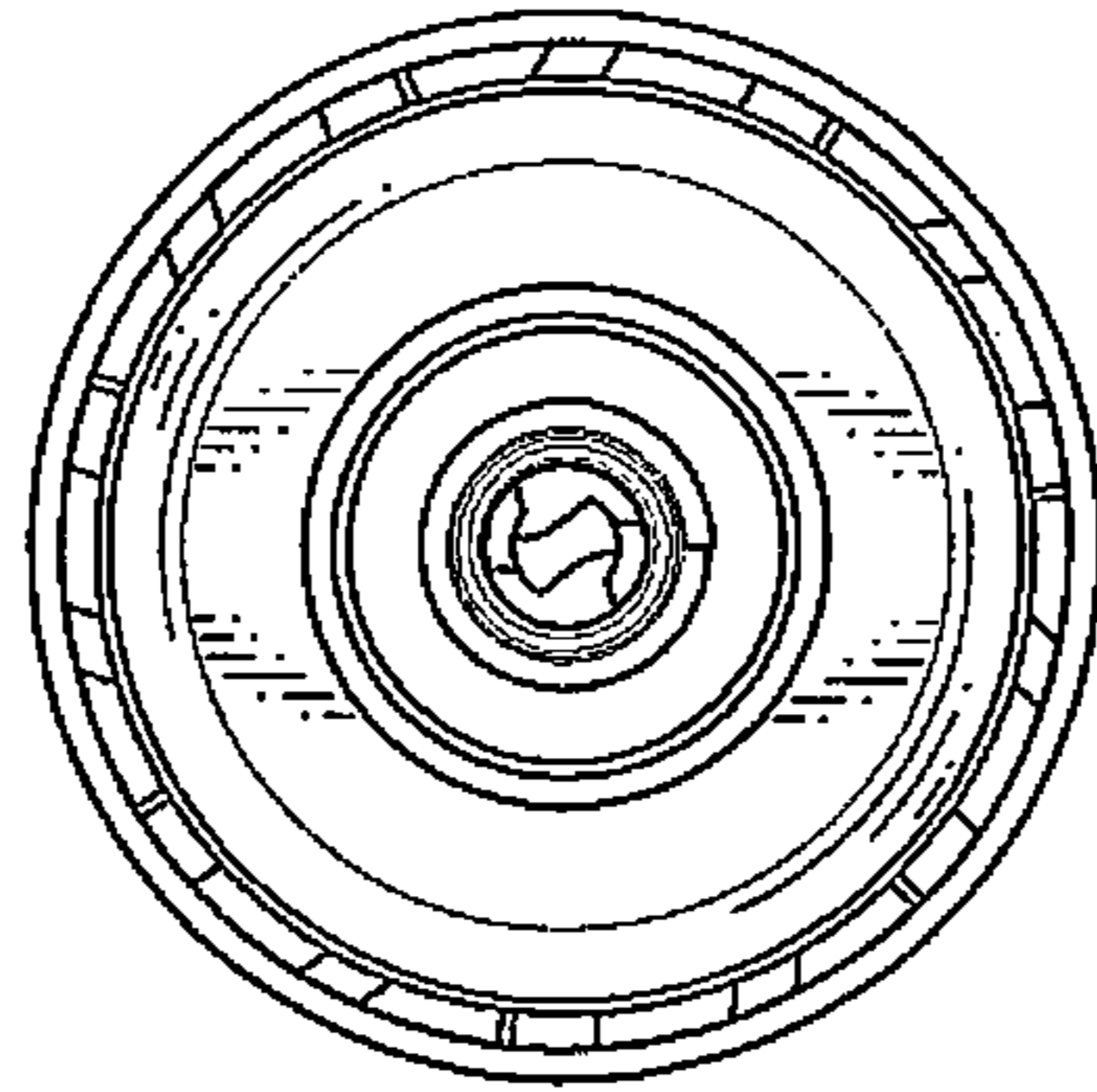


FIG. 2

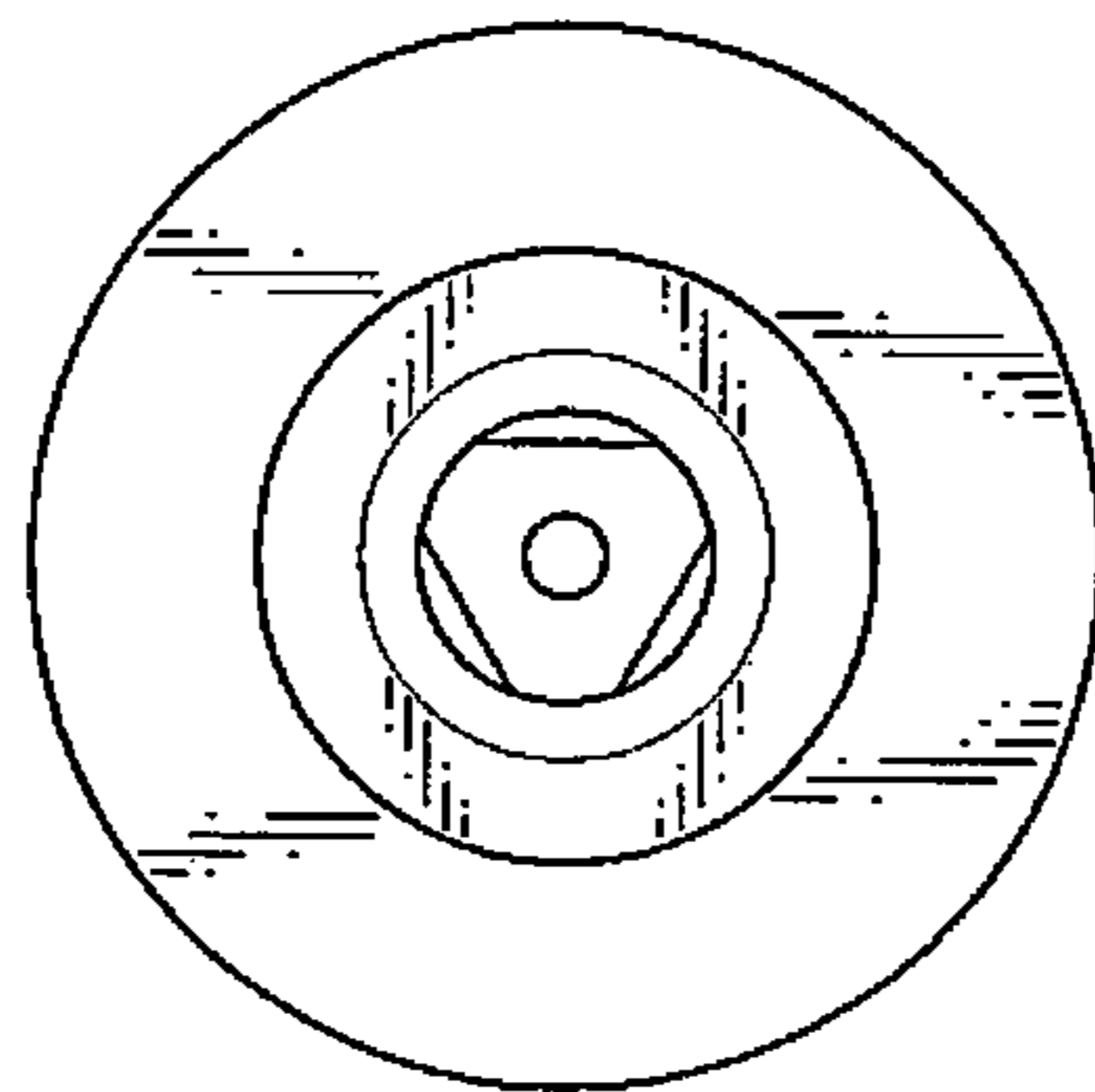


FIG. 3

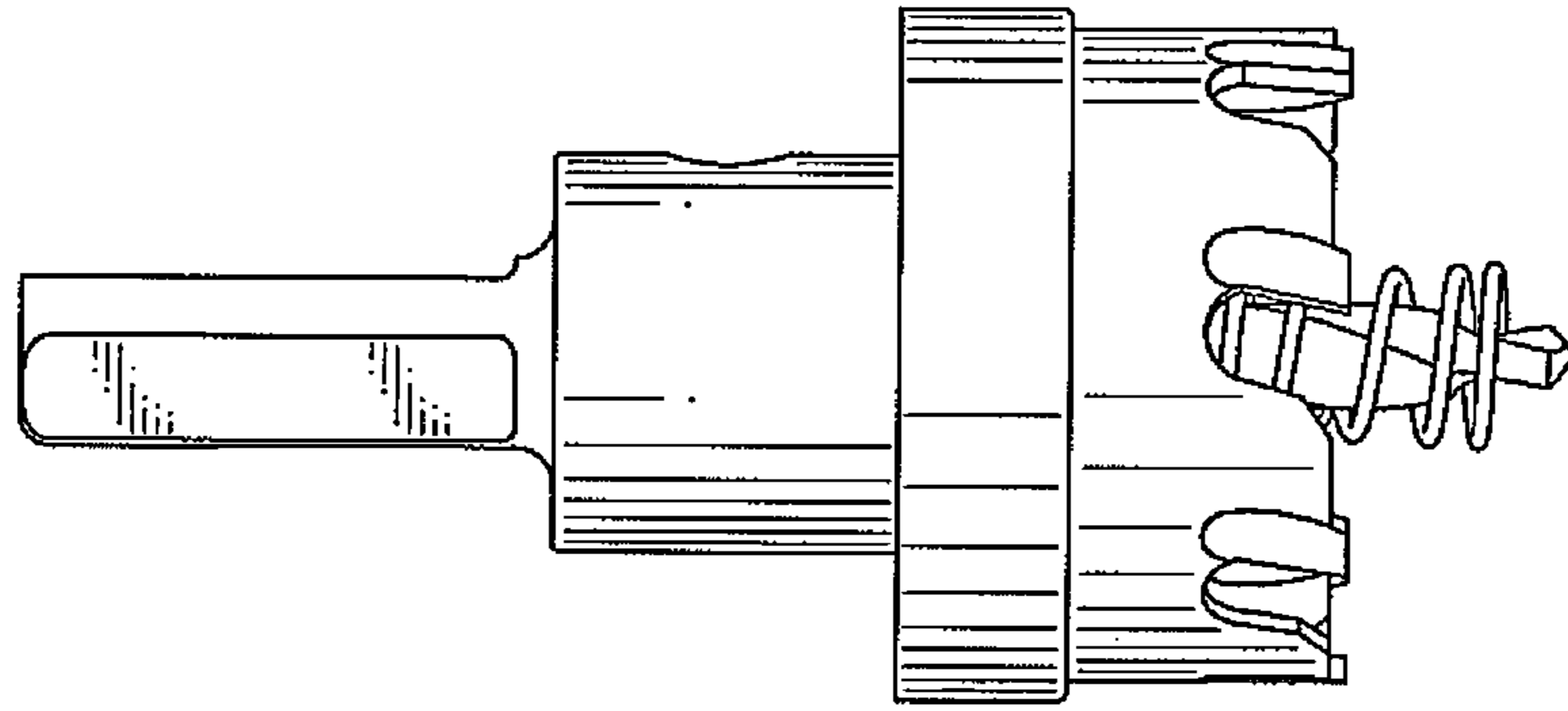


FIG. 4

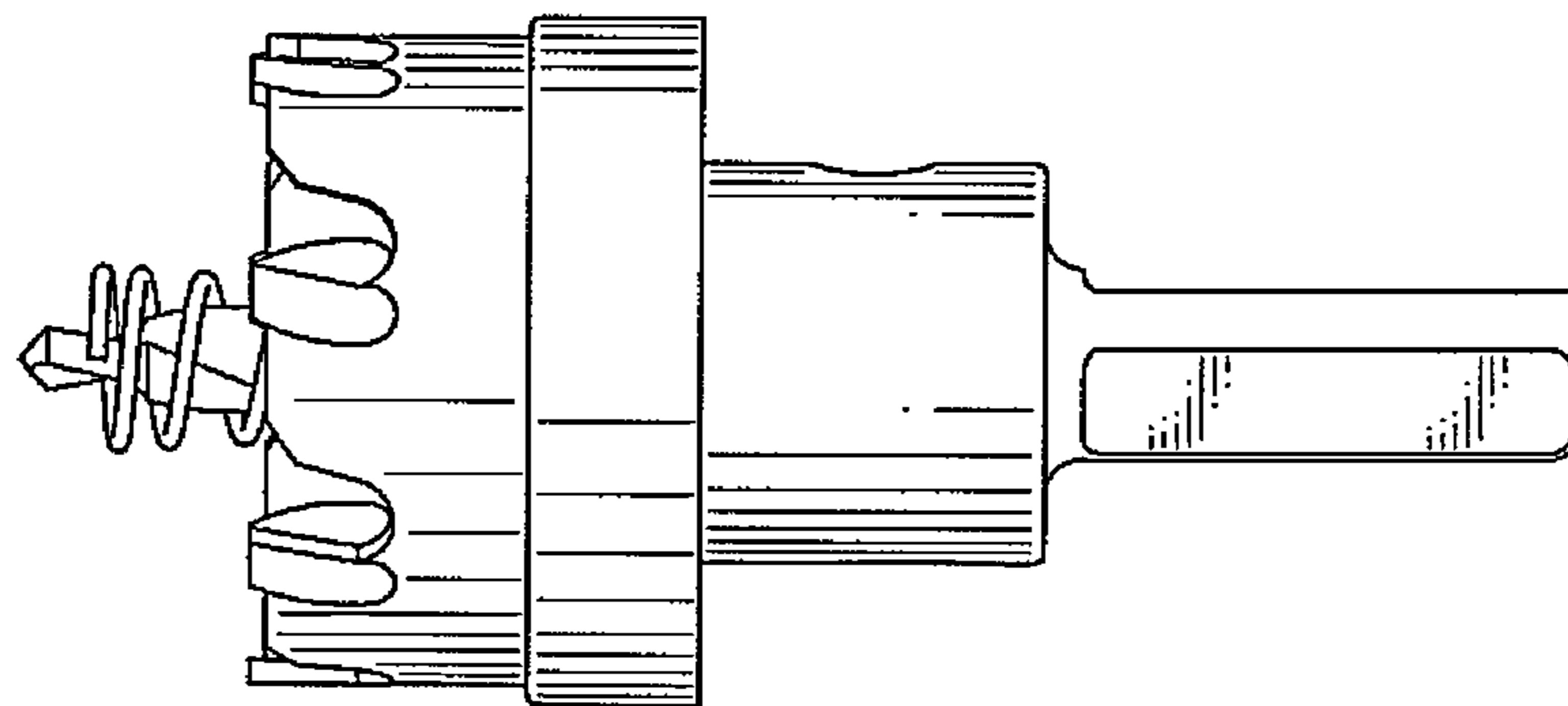


FIG. 5

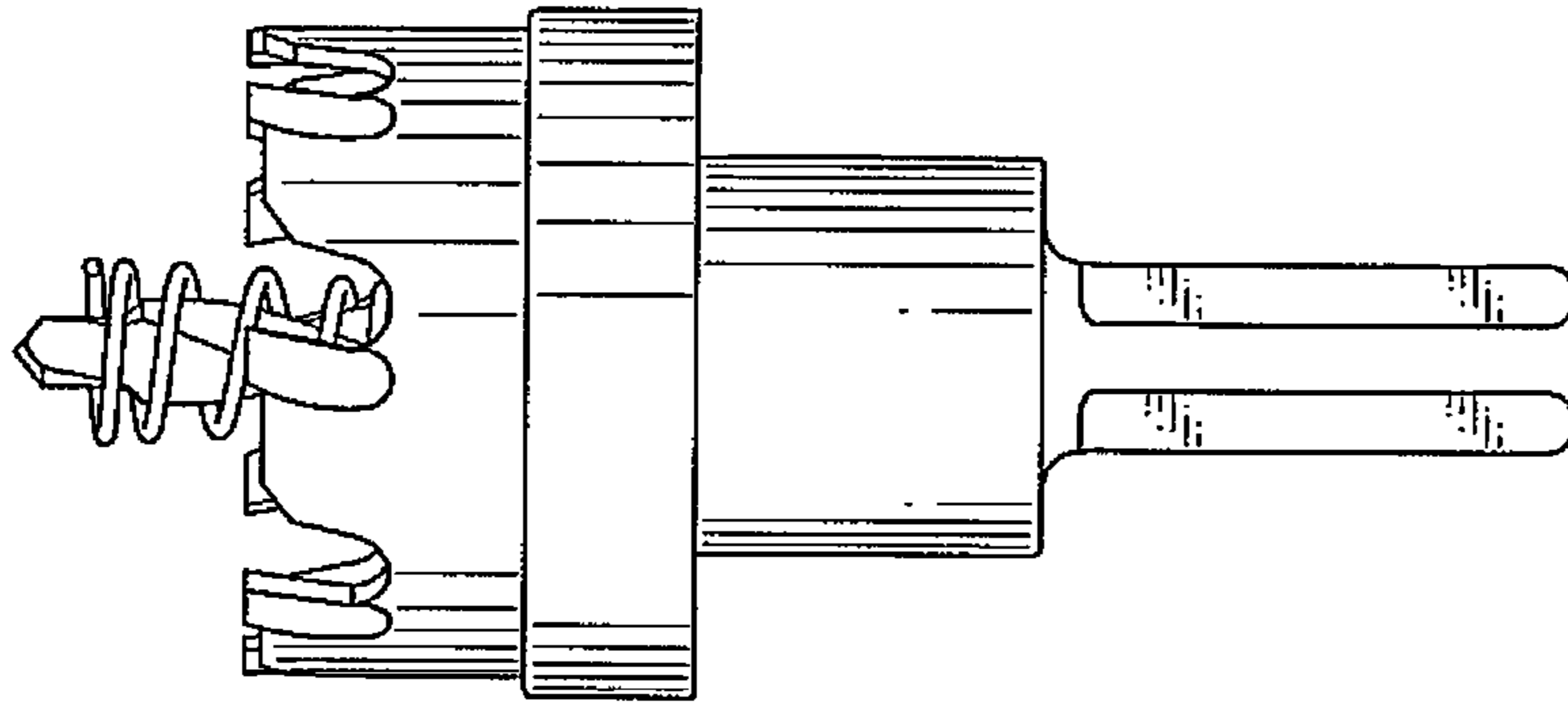


FIG. 7

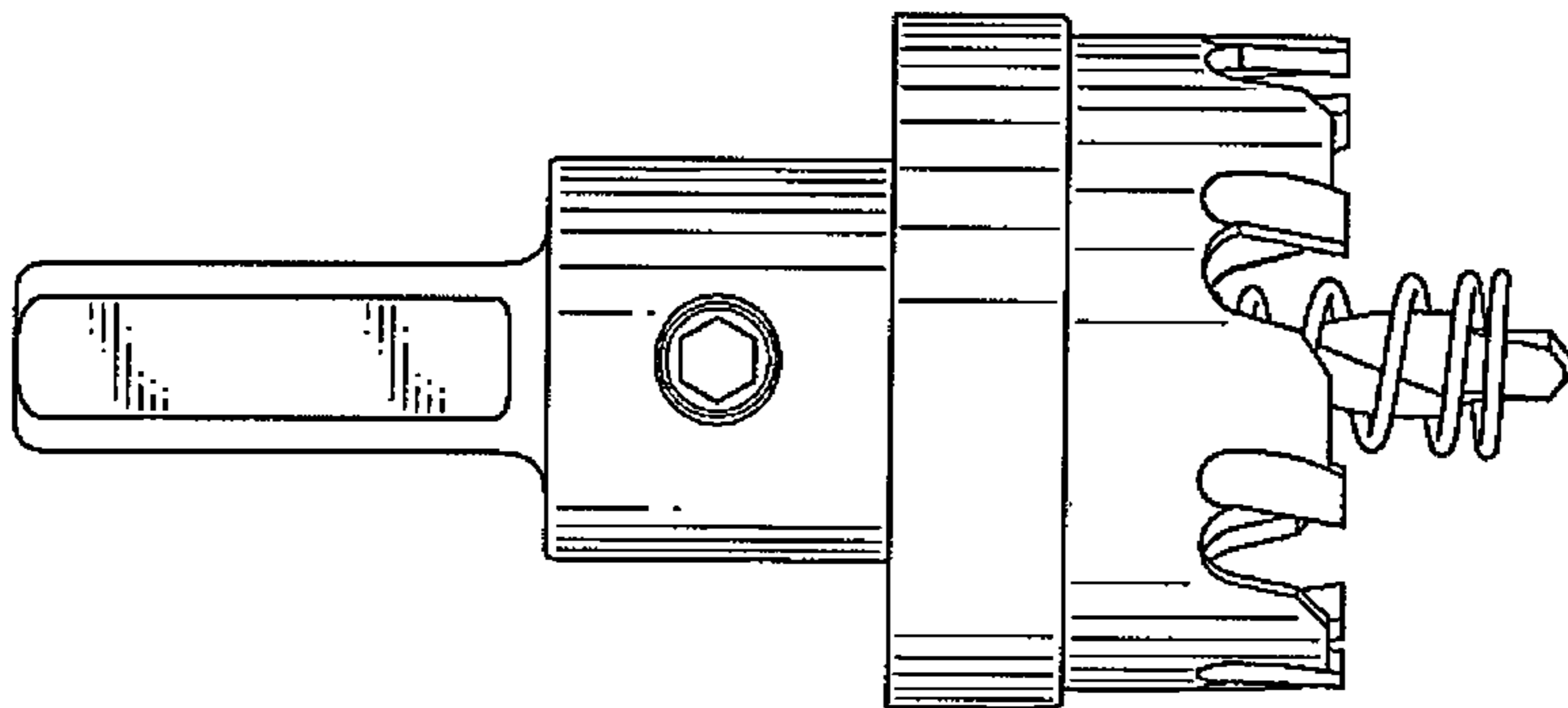


FIG. 6