



US00D710409S

(12) **United States Design Patent**
Morrison et al.

(10) **Patent No.:** **US D710,409 S**

(45) **Date of Patent:** **** Aug. 5, 2014**

(54) **NONAGON CUTTING INSERT**

(71) Applicant: **Kennametal Inc.**, Latrobe, PA (US)

(72) Inventors: **Lewis Ray Morrison**, Latrobe, PA (US);
Ravishankar Iyer, North Huntingdon,
PA (US)

(73) Assignee: **Kennametal Inc.**, Latrobe, PA (US)

(**) Term: **14 Years**

(21) Appl. No.: **29/469,212**

(22) Filed: **Oct. 8, 2013**

(51) **LOC (10) Cl.** **15-09**

(52) **U.S. Cl.**
USPC **D15/139**

(58) **Field of Classification Search**
USPC D8/70, 71; D15/131, 138, 139, 140;
407/35, 42, 112-119
See application file for complete search history.

(56) **References Cited**

U.S. PATENT DOCUMENTS

4,556,345	A	12/1985	Philippi	
4,631,994	A	12/1986	Jester et al.	
5,934,844	A *	8/1999	Woolley	407/114
D429,261	S *	8/2000	Hartlohner et al.	D15/139
D481,048	S *	10/2003	Brockett et al.	D15/139
6,733,212	B2	5/2004	Nagaya et al.	
7,367,753	B2	5/2008	Maurer	
D638,452	S *	5/2011	Morrison et al.	D15/139
7,976,250	B2	7/2011	Fang et al.	
D658,218	S *	4/2012	Morrison et al.	D15/139
8,337,123	B2	12/2012	Ishida	
D687,078	S *	7/2013	Shibata et al.	D15/139
2009/0052998	A1 *	2/2009	Sladek et al.	407/61

2009/0285646	A1	11/2009	Oprasic et al.	
2010/0034602	A1 *	2/2010	Sung et al.	407/113
2010/0080662	A1 *	4/2010	Satran et al.	407/40
2011/0103905	A1 *	5/2011	Morrison et al.	407/48
2011/0116878	A1 *	5/2011	Ebert et al.	407/103
2012/0045289	A1 *	2/2012	Ishi	409/132
2012/0051855	A1	3/2012	Lof	
2012/0070239	A1 *	3/2012	Park et al.	407/42
2012/0093596	A1 *	4/2012	Ishi	407/113
2012/0114435	A1 *	5/2012	Park	407/104
2012/0155976	A1 *	6/2012	Ishi	407/33
2012/0251250	A1 *	10/2012	Morrison et al.	407/42
2013/0028670	A1 *	1/2013	Luik	407/66
2013/0108383	A1 *	5/2013	Scheicher	407/113
2013/0142581	A1 *	6/2013	Volokh	407/114
2013/0195567	A1	8/2013	Sunnvius et al.	
2013/0202371	A1 *	8/2013	Chen	407/107
2013/0251466	A1 *	9/2013	Rao et al.	407/113
2013/0279994	A1 *	10/2013	Morrison et al.	407/64

* cited by examiner

Primary Examiner — Patricia Palasik

(74) *Attorney, Agent, or Firm* — Larry R. Meenan, Esq.

(57) **CLAIM**

We claim the ornamental design for a nonagon cutting insert, as shown and described.

DESCRIPTION

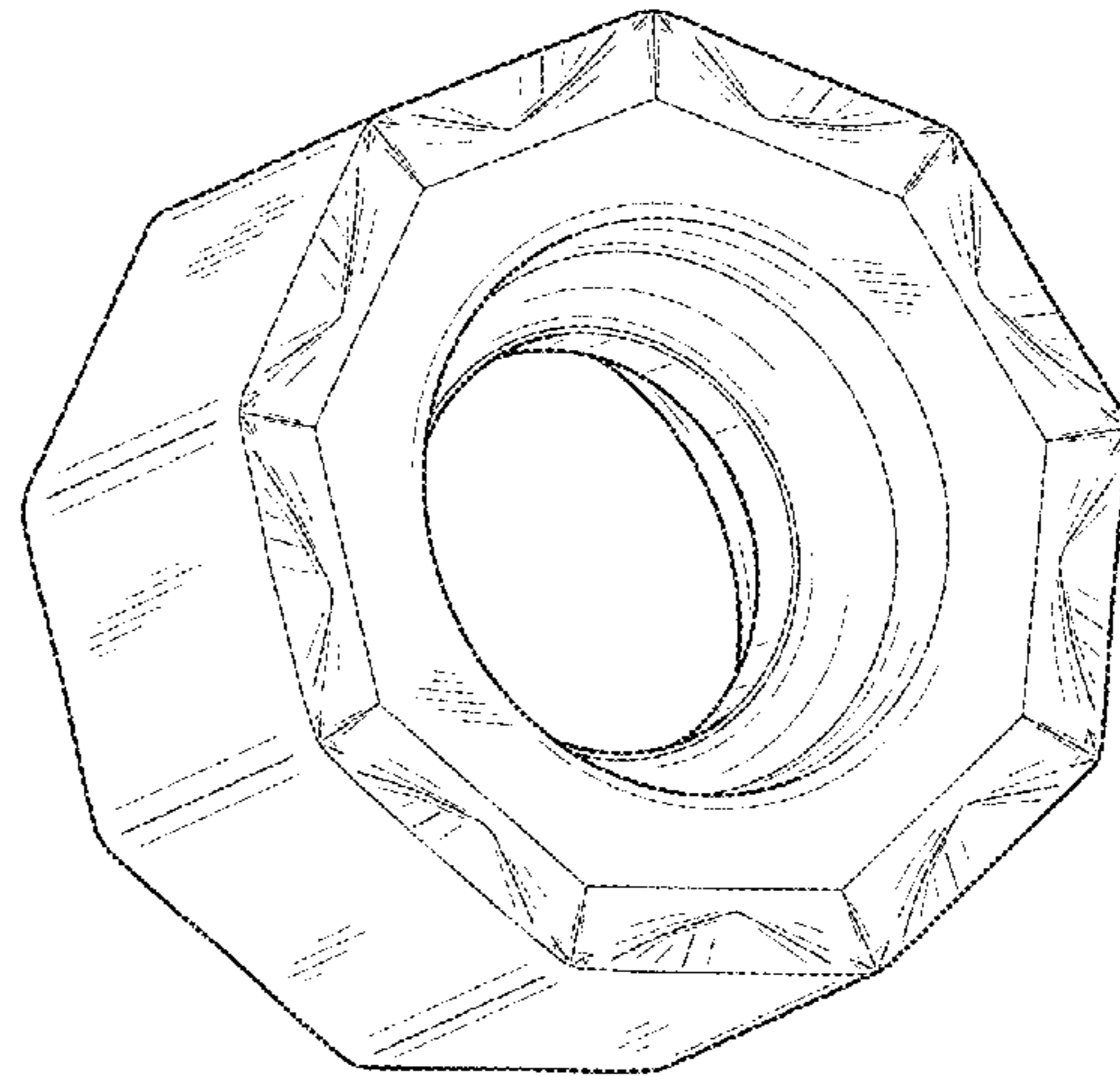
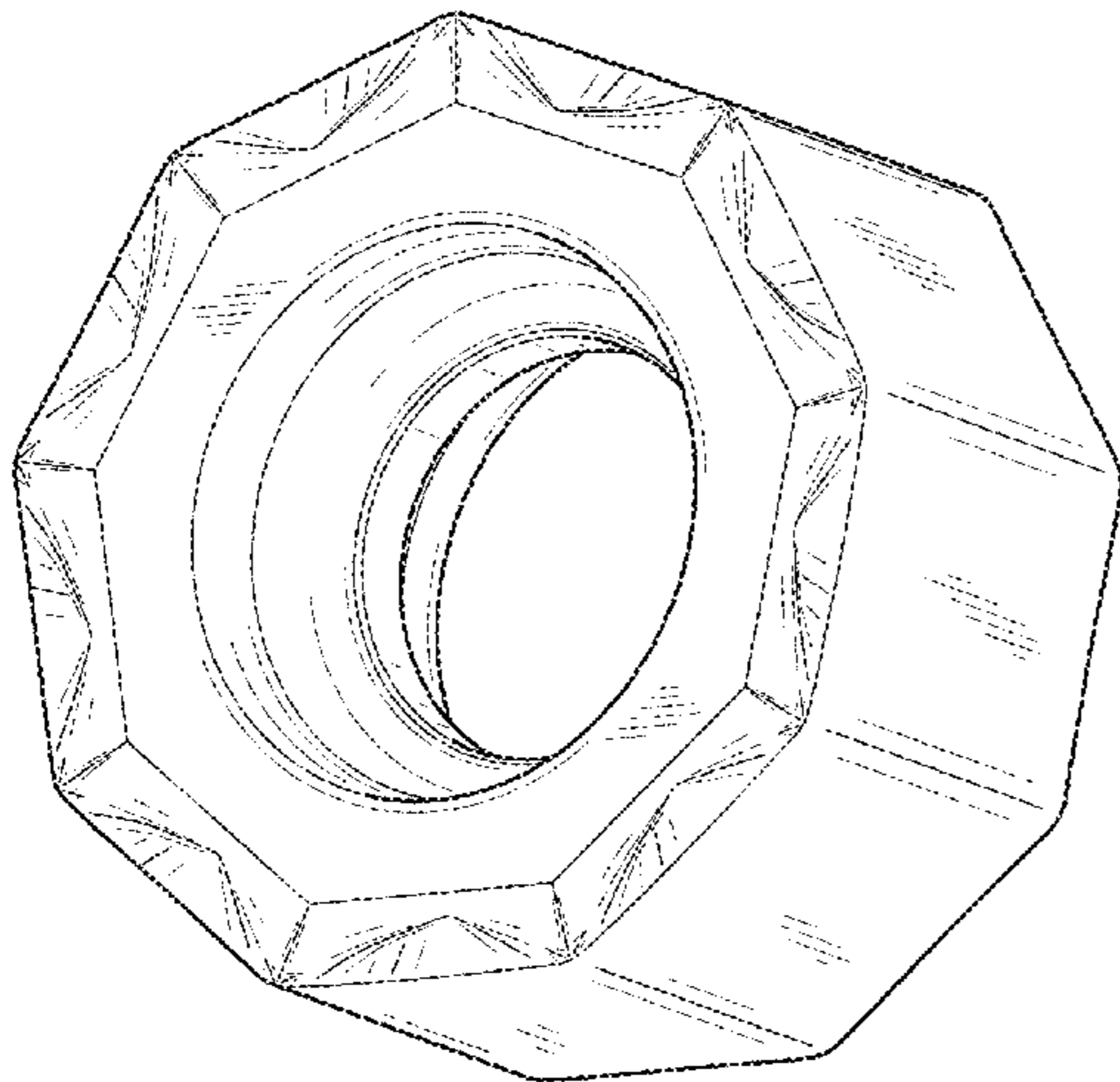
FIG. 1 is an isometric top view of a nonagon cutting insert showing our new design;

FIG. 2 is an isometric bottom view of the nonagon cutting insert of FIG. 1;

FIG. 3 is a top view of the nonagon cutting insert of FIG. 1, the bottom view being identical to the top view; and,

FIG. 4 is a right side view of the nonagon cutting insert of FIG. 1, the left side view being identical to the right side view.

1 Claim, 2 Drawing Sheets



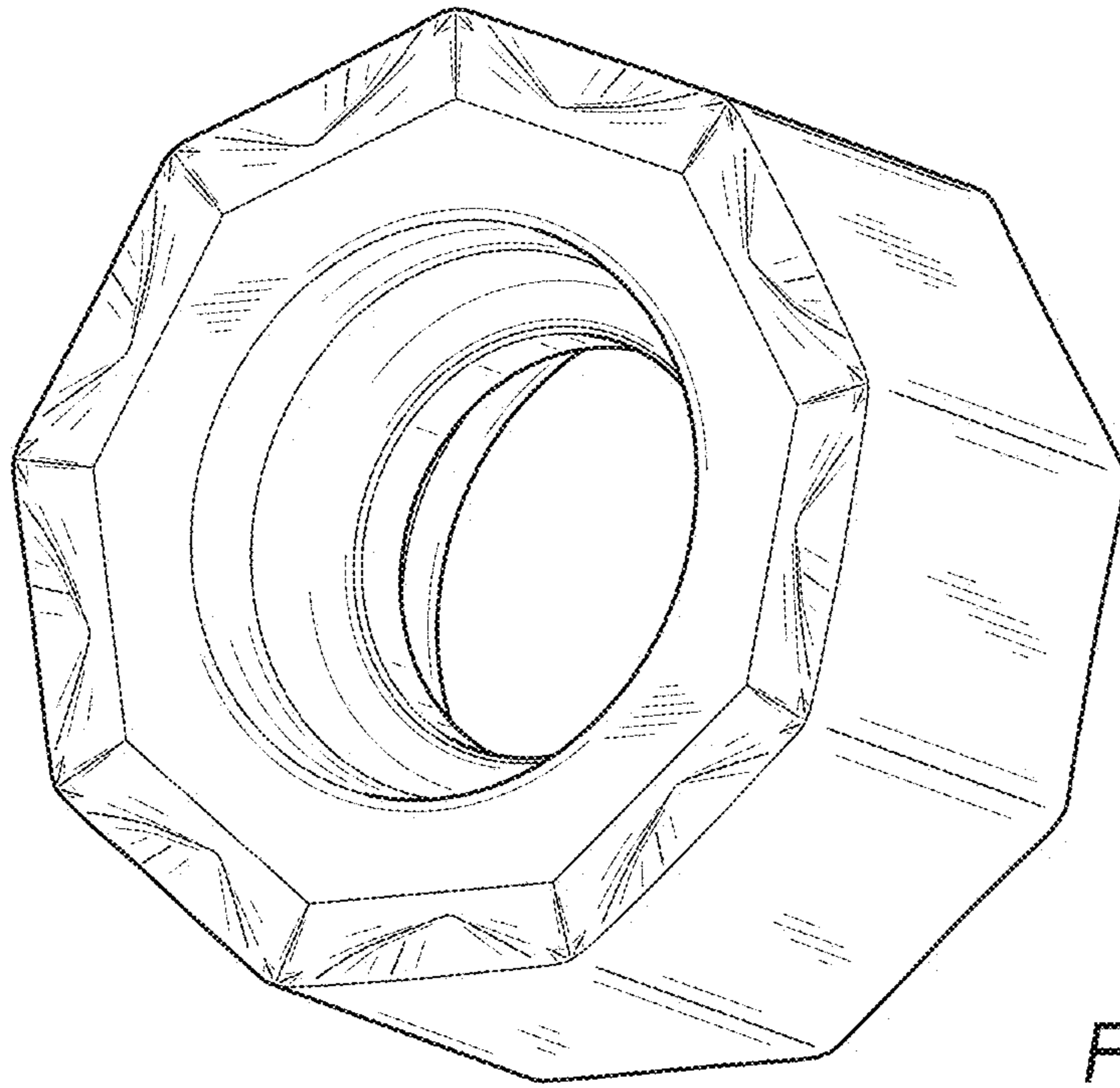


FIG. 1

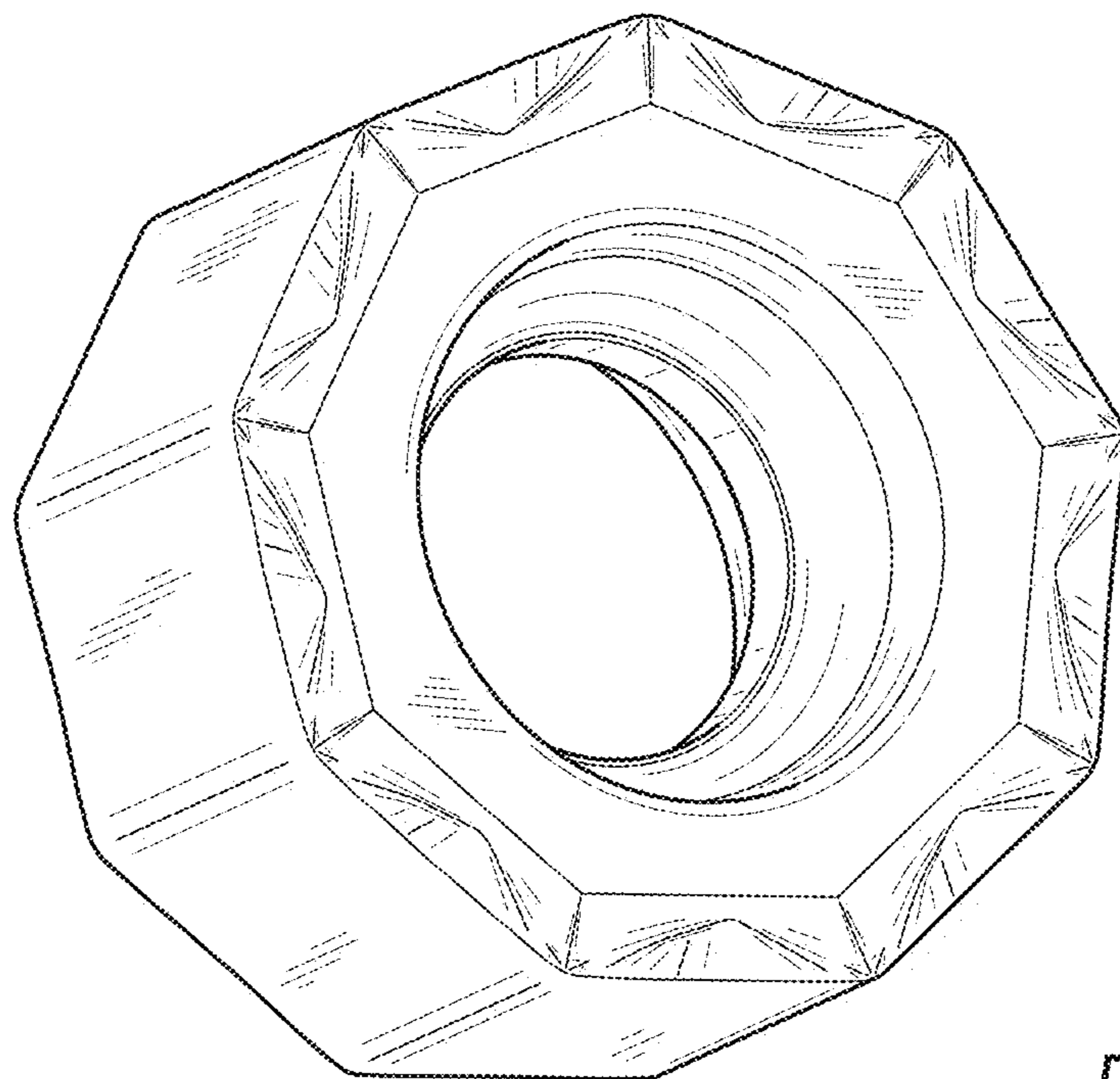


FIG. 2

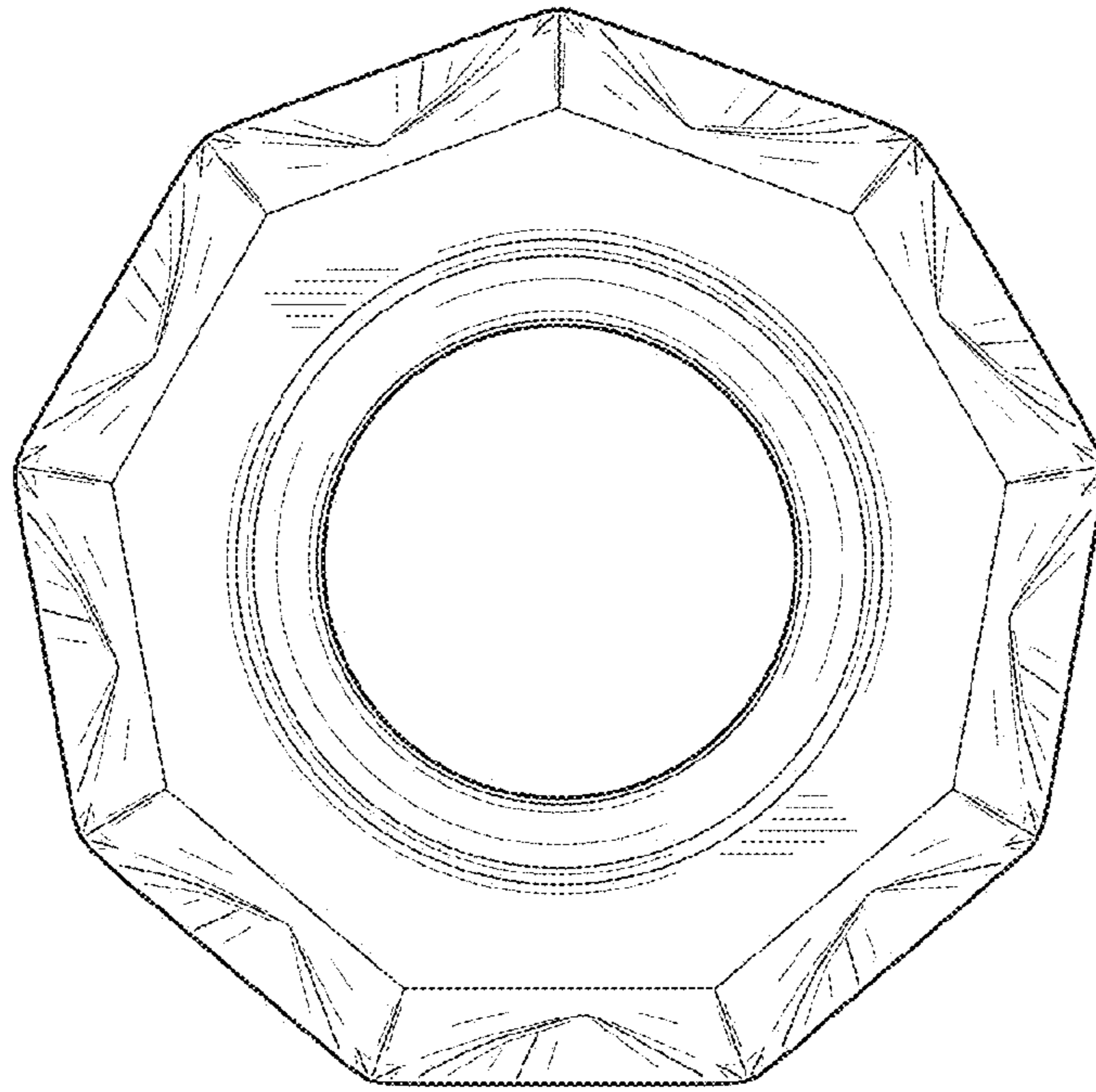


FIG. 3

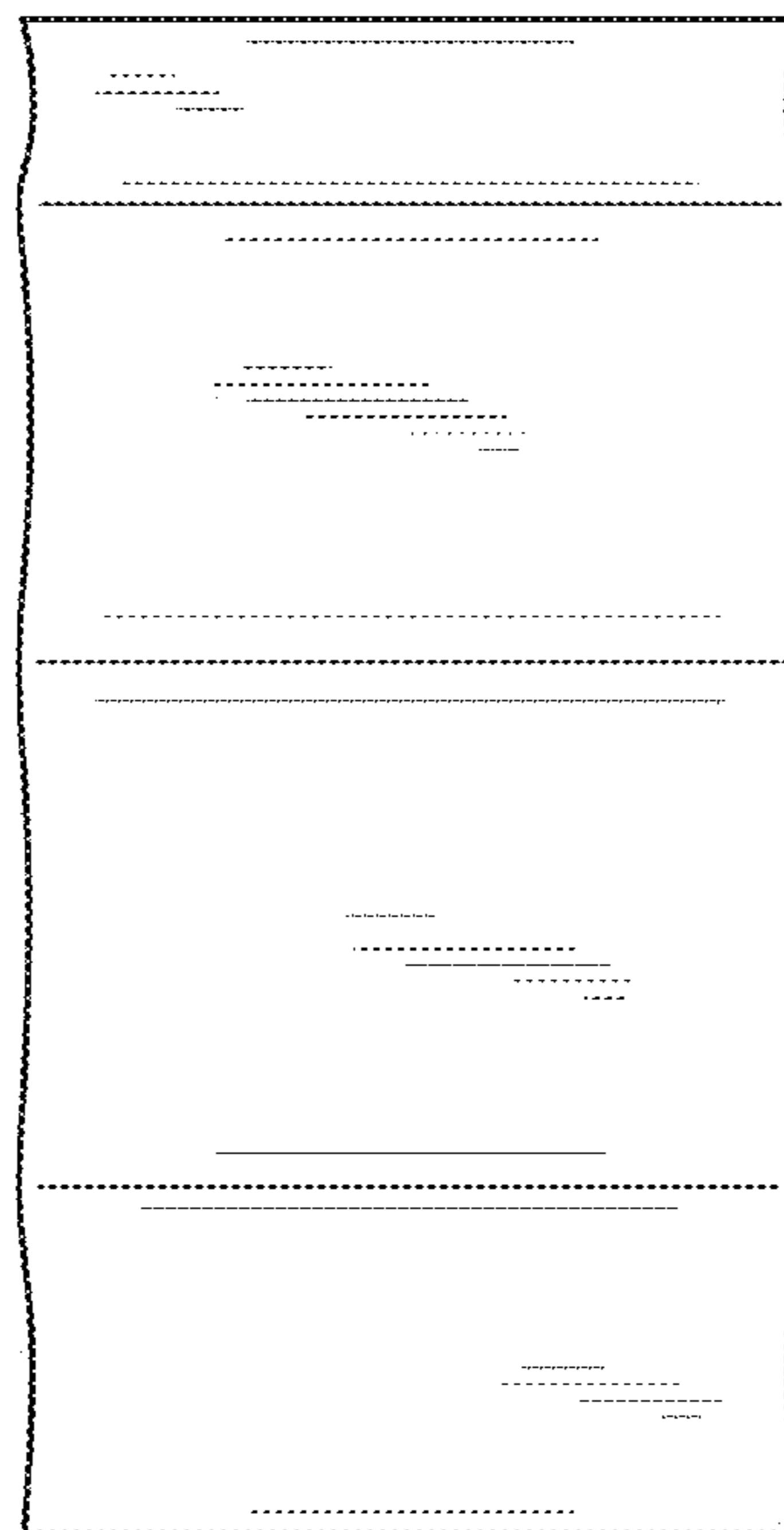


FIG. 4