



US00D710405S

(12) **United States Design Patent**
Seo et al.

(10) **Patent No.:** **US D710,405 S**
(45) **Date of Patent:** **** Aug. 5, 2014**

(54) **REFRIGERATOR SHELF**
(71) Applicant: **LG Electronics Inc.**, Seoul (KR)
(72) Inventors: **Woon Kyu Seo**, Seoul (KR); **Seon Kyu Kim**, Seoul (KR); **Soo Min Seo**, Seoul (KR); **Dae Sung Lee**, Seoul (KR)
(73) Assignee: **LG Electronics Inc.**, Seoul (KR)
(**) Term: **14 Years**
(21) Appl. No.: **29/459,757**
(22) Filed: **Jul. 3, 2013**

D523,034 S * 6/2006 Vardon D15/89
D523,450 S * 6/2006 Vardon D15/89
D525,269 S * 7/2006 Vardon D15/89
D525,633 S * 7/2006 Vardon D15/89
7,270,385 B2 * 9/2007 Mathur et al. 312/408
D557,293 S * 12/2007 Vardon D15/89
D559,280 S * 1/2008 Vardon D15/89
D559,281 S * 1/2008 Vardon D15/89
D559,282 S * 1/2008 Vardon D15/89
D562,854 S * 2/2008 Vardon D15/89
D568,344 S * 5/2008 Baacke et al. D15/89
D577,744 S * 9/2008 Baacke et al. D15/89
D612,404 S * 3/2010 Picken et al. D15/89
D612,405 S * 3/2010 Eicher D15/89
D613,316 S * 4/2010 Schmidt D15/89
8,414,095 B2 * 4/2013 Stewart 312/408
D694,292 S * 11/2013 Eby et al. D15/89

* cited by examiner

(30) **Foreign Application Priority Data**
Jan. 21, 2013 (KR) 30-2013-0003519
(51) **LOC (10) Cl.** **15-07**
(52) **U.S. Cl.**
USPC **D15/89**
(58) **Field of Classification Search**
USPC D15/79-89, 91; 62/3.6, 125, 126, 187,
62/246-255; 312/116, 138.1, 236, 321.5,
312/330.1, 400-409; 211/134; 108/108
See application file for complete search history.

Primary Examiner — Mitchell Siegel
(74) *Attorney, Agent, or Firm* — Birch, Stewart, Kolasch & Birch, LLP

(56) **References Cited**
U.S. PATENT DOCUMENTS
D309,461 S * 7/1990 Bussan et al. D15/89
4,960,308 A * 10/1990 Donaghy 312/404
6,729,704 B2 * 5/2004 Ames 312/408
D495,720 S * 9/2004 Avalos Barcenas et al. ... D15/89
D515,598 S * 2/2006 Vardon D15/89
D515,599 S * 2/2006 Vardon D15/89
D516,100 S * 2/2006 Vardon D15/89
D516,101 S * 2/2006 Vardon D15/89
D516,102 S * 2/2006 Vardon D15/89

(57) **CLAIM**
We claim the ornamental design for a refrigerator shelf, as shown and described.

DESCRIPTION

FIG. 1 is a perspective view of a refrigerator shelf showing the new design;
FIG. 2 is a front elevation view thereof;
FIG. 3 is a rear elevation view thereof;
FIG. 4 is a left-side elevation view thereof;
FIG. 5 is a right-side elevation view thereof;
FIG. 6 is a top plan view thereof;
FIG. 7 is a bottom plan view thereof; and,
FIG. 8 is a perspective view thereof, the shelf being shown in an alternate position.

1 Claim, 5 Drawing Sheets

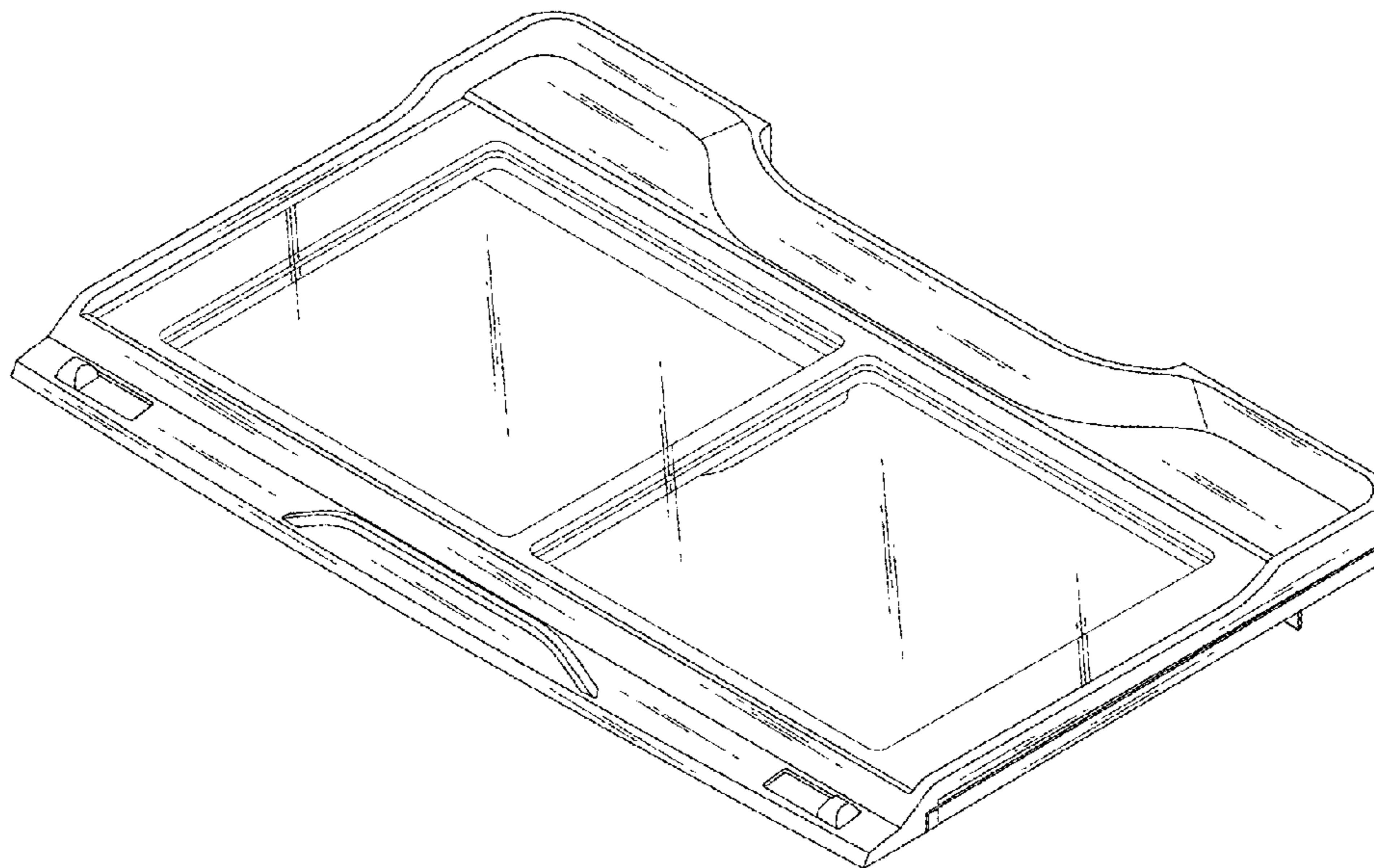


FIG. 1

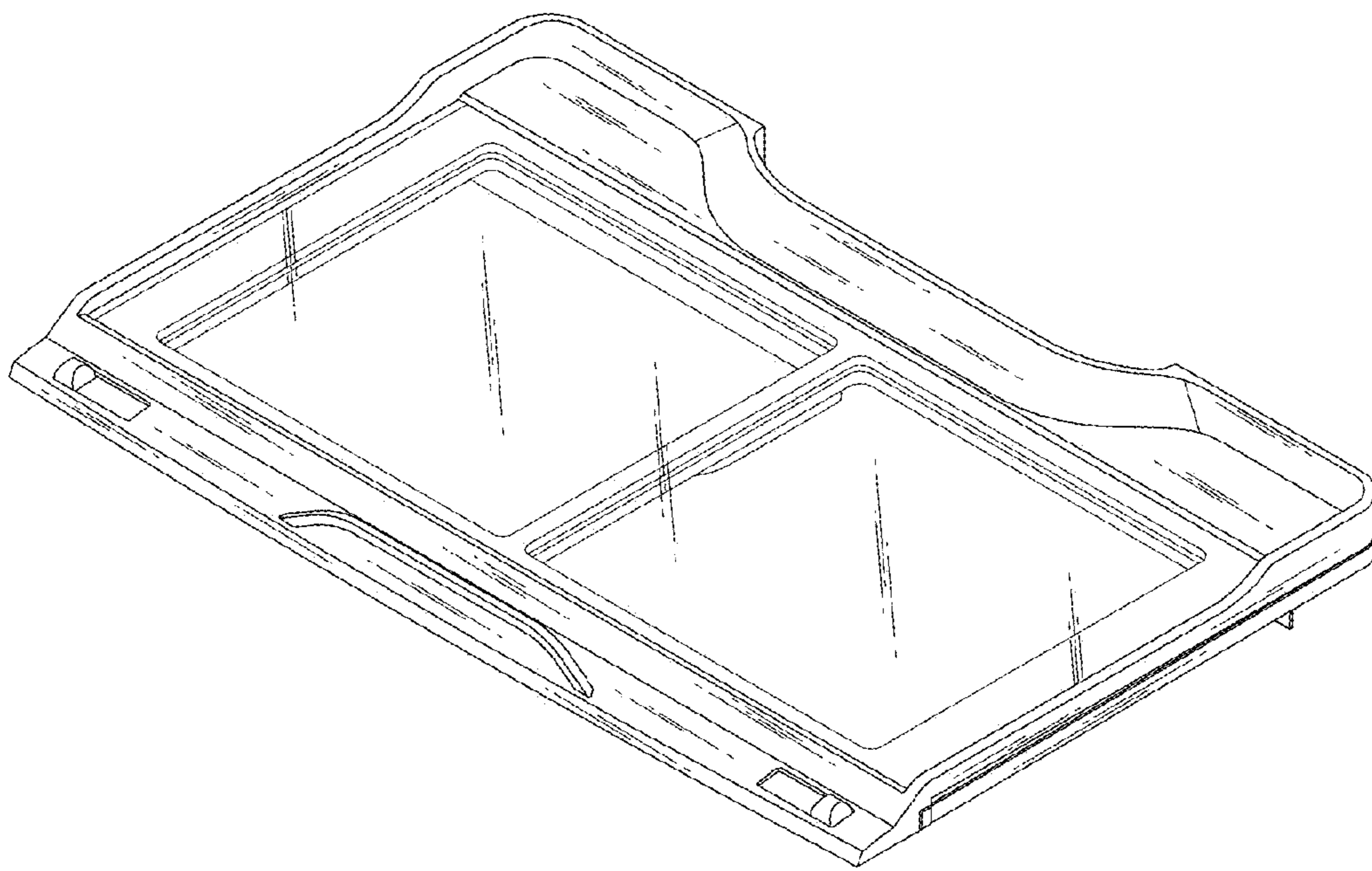


FIG. 2

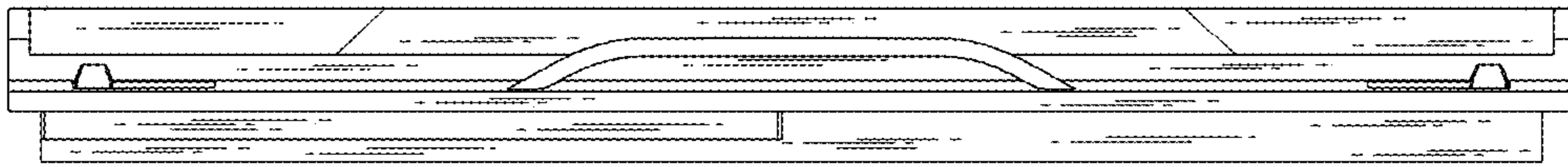


FIG. 3

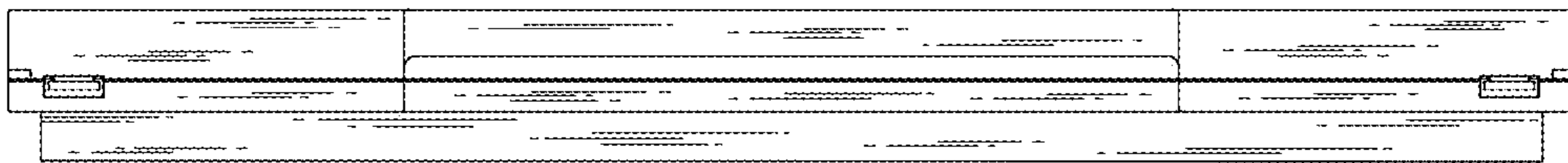


FIG. 4

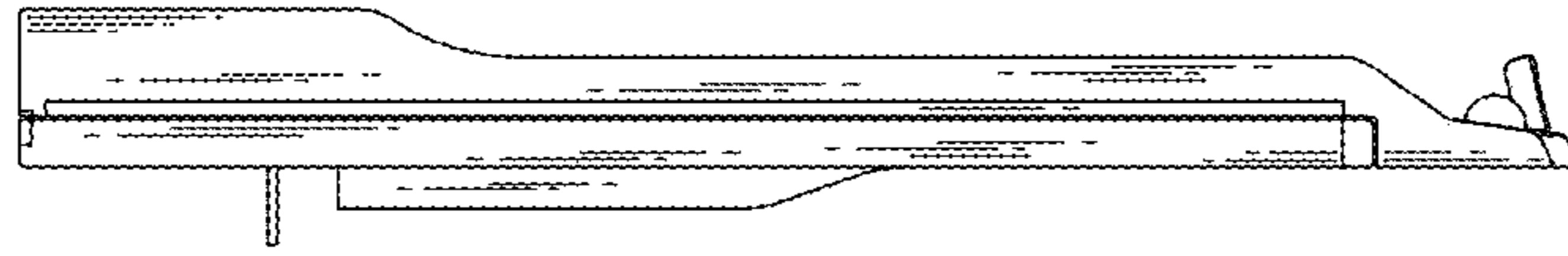


FIG. 5

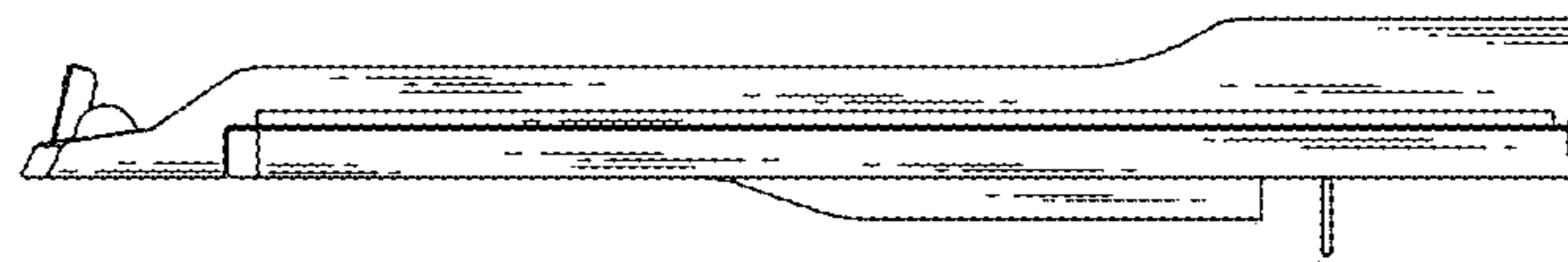


FIG. 6

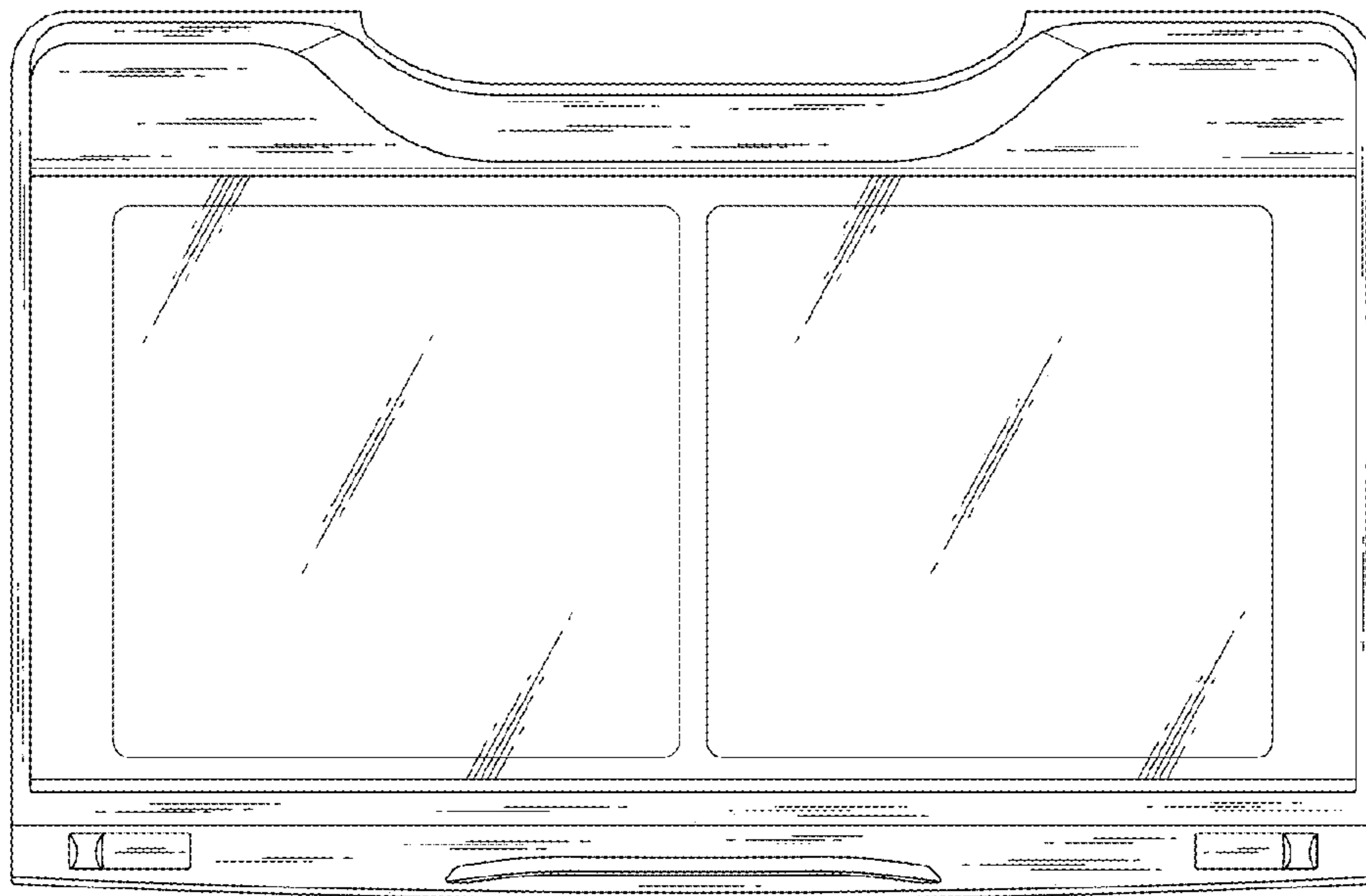


FIG. 7

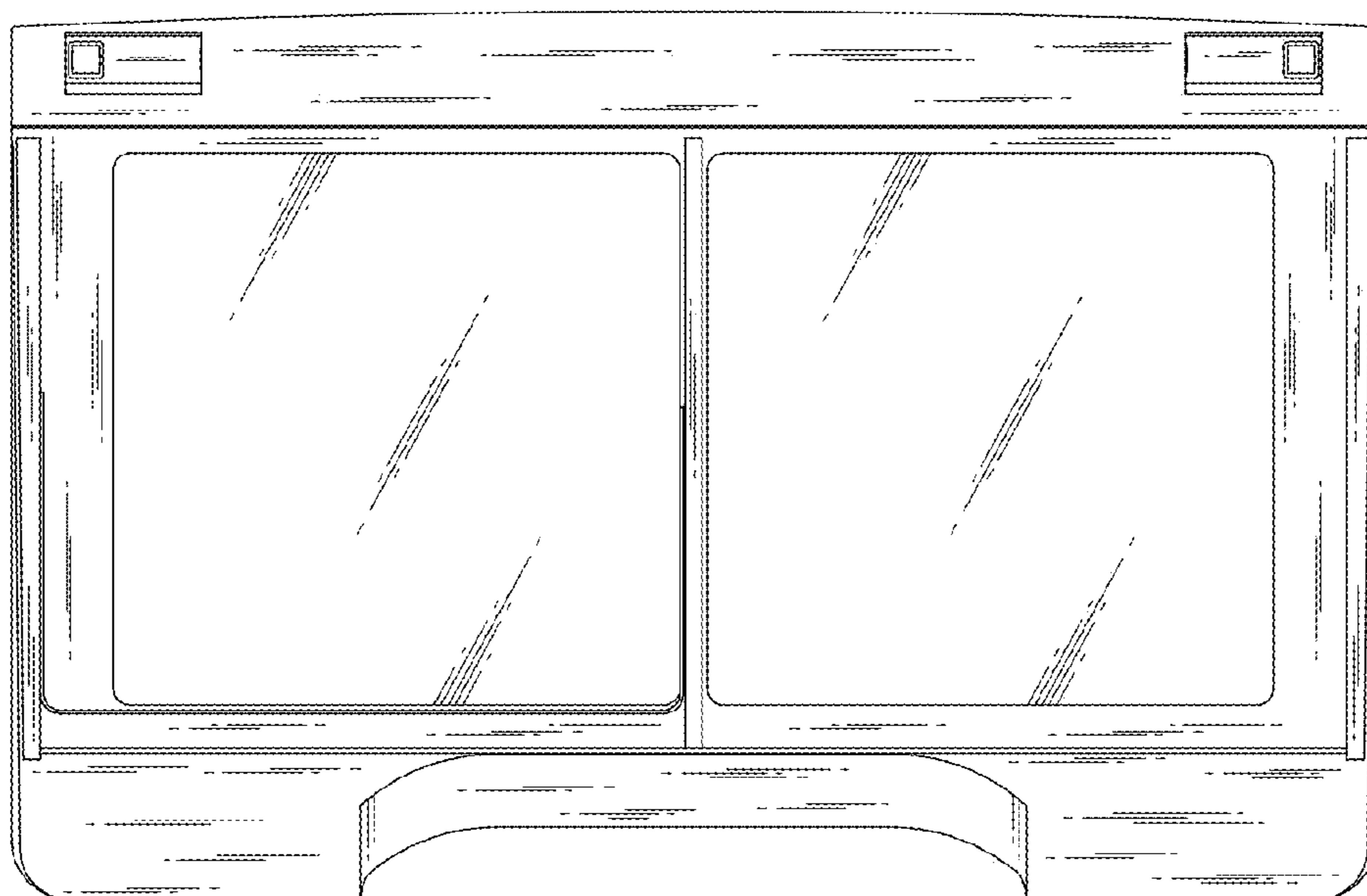


FIG. 8

