



US00D710399S

(12) **United States Design Patent**  
**Oeder et al.**

(10) **Patent No.:** **US D710,399 S**

(45) **Date of Patent:** **\*\* Aug. 5, 2014**

(54) **HOUSING FOR A DISPLAY PANEL OF A ROAD CONSTRUCTION MACHINE**

(71) Applicant: **Wirtgen GmbH**, Windhagen (DE)

(72) Inventors: **Arne Oeder**, Windhagen (DE); **René Müller**, Vettelschoss (DE); **Cyrus Barimani**, Königswinter (DE); **Günter Hähn**, Königswinter (DE)

(73) Assignee: **Wirtgen GmbH** (DE)

(\*\*) Term: **14 Years**

(21) Appl. No.: **29/471,504**

(22) Filed: **Nov. 1, 2013**

(30) **Foreign Application Priority Data**

Jun. 14, 2013 (EM) ..... 001374581

(51) **LOC (10) CL.** ..... **15-03**

(52) **U.S. CL.**  
USPC ..... **D15/28**

(58) **Field of Classification Search**  
USPC ..... D15/10, 17, 22-26, 28; D12/192; D13/184, 162, 164; D14/247, 285, D14/415; D10/125; D34/28, 35; 220/811; 180/315, 89.1, 89.12, 235, 900; 414/273, 495, 454, 459, 460, 719, 694, 414/699, 722-724; 212/324, 326, 327  
See application file for complete search history.

(56) **References Cited**

**U.S. PATENT DOCUMENTS**

D311,520 S \* 10/1990 Serio, Jr. .... D13/184  
D380,199 S \* 6/1997 Beruscha et al. .... D13/184  
D456,364 S \* 4/2002 Suen ..... D13/162

D462,063 S \* 8/2002 Bohne ..... D14/125  
D513,497 S \* 1/2006 Whitehouse ..... D13/162  
D533,092 S \* 12/2006 Disselkoen et al. .... D10/50  
D542,745 S \* 5/2007 Barnes et al. .... D13/184  
D550,167 S \* 9/2007 Popa ..... D13/164  
D558,798 S \* 1/2008 Sakitani et al. .... D15/28

(Continued)

**OTHER PUBLICATIONS**

Co-pending design U.S. Appl. No. 29/471,502, filed Nov. 1, 2013 entitled "Cover For A Display Panel Of A Road Construction Machine".

(Continued)

*Primary Examiner* — Mark Goodwin

(74) *Attorney, Agent, or Firm* — Waddey & Patterson, P.C.;  
Lucian Wayne Beavers

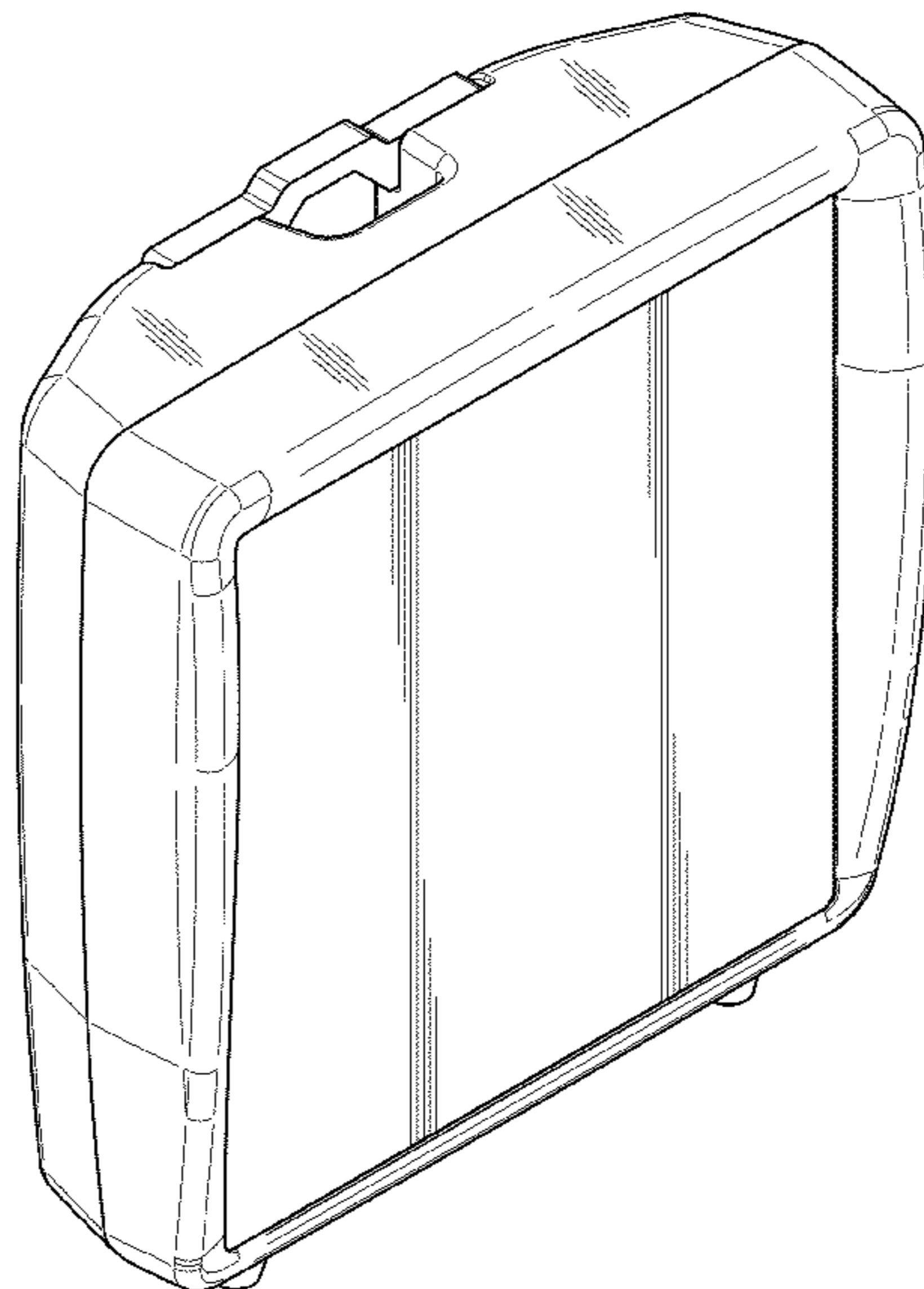
(57) **CLAIM**

What is claimed is the ornamental design for a housing for a display panel of a road construction machine, as shown and described.

**DESCRIPTION**

FIG. 1 is an upper front perspective view of the housing for a display panel of a road construction machine.  
FIG. 2 is a front elevation view of the housing for a display panel of a road construction machine of FIG. 1.  
FIG. 3 is a top view of the housing for a display panel of a road construction machine of FIG. 1.  
FIG. 4 is a bottom view of the housing for a display panel of a road construction machine of FIG. 1.  
FIG. 5 is a right side elevation view of the housing for a display panel of a road construction machine of FIG. 1; and, FIG. 6 is a left side elevation view of the housing for a display panel of a road construction machine of FIG. 1.

**1 Claim, 6 Drawing Sheets**



(56)

**References Cited**

U.S. PATENT DOCUMENTS

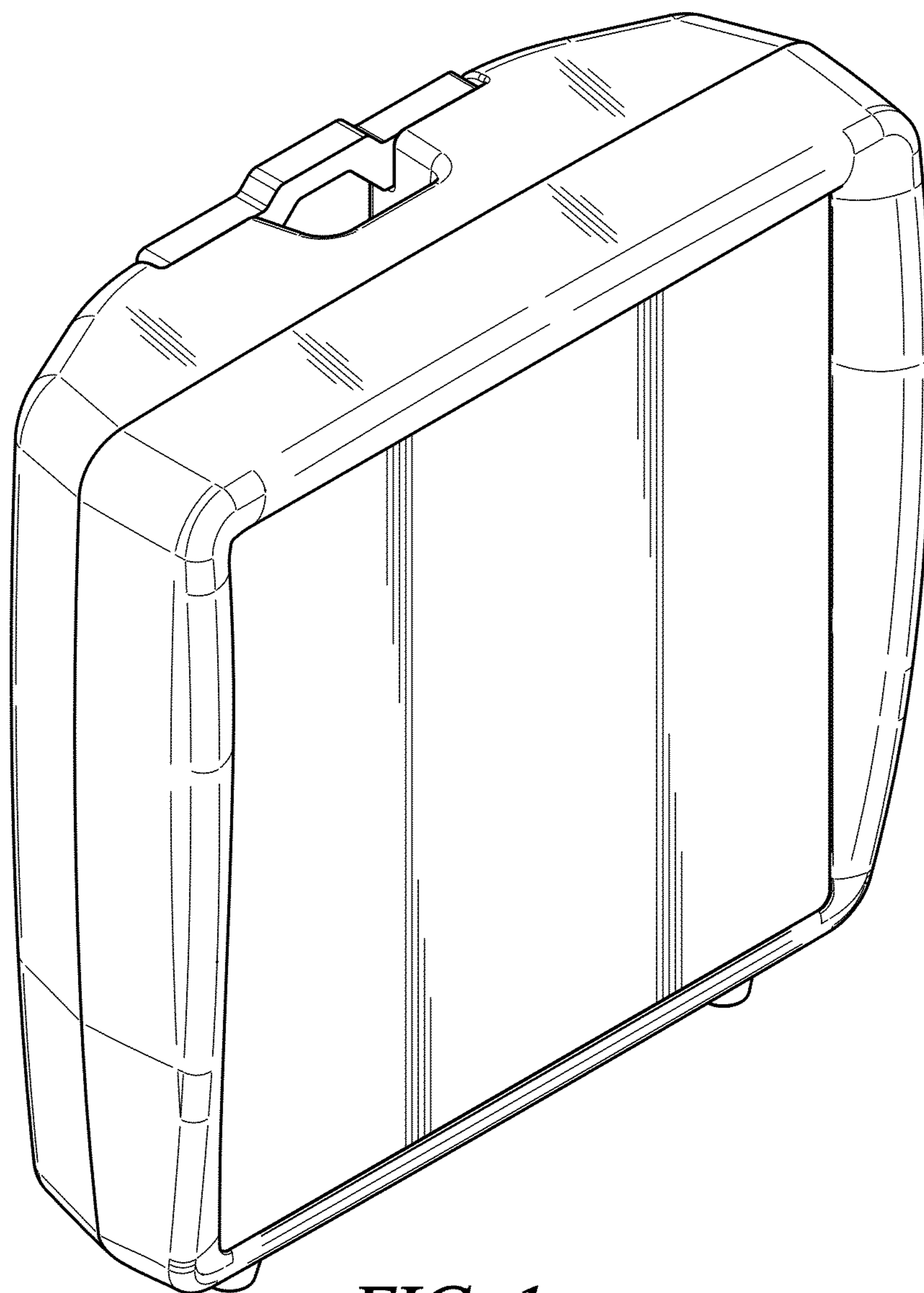
D564,972 S \* 3/2008 Peterson ..... D13/162  
D567,776 S \* 4/2008 Wells ..... D13/184  
D587,286 S \* 2/2009 Jurasz et al. .... D15/28  
D627,798 S 11/2010 Berning et al.  
D627,799 S 11/2010 Berning et al.  
D627,800 S 11/2010 Berning et al.  
D627,801 S 11/2010 Berning et al.  
D627,802 S 11/2010 Berning et al.

D628,603 S 12/2010 Berning et al.  
D641,712 S 7/2011 Berning et al.  
D642,133 S 7/2011 Berning et al.  
D642,542 S 8/2011 Berning et al.

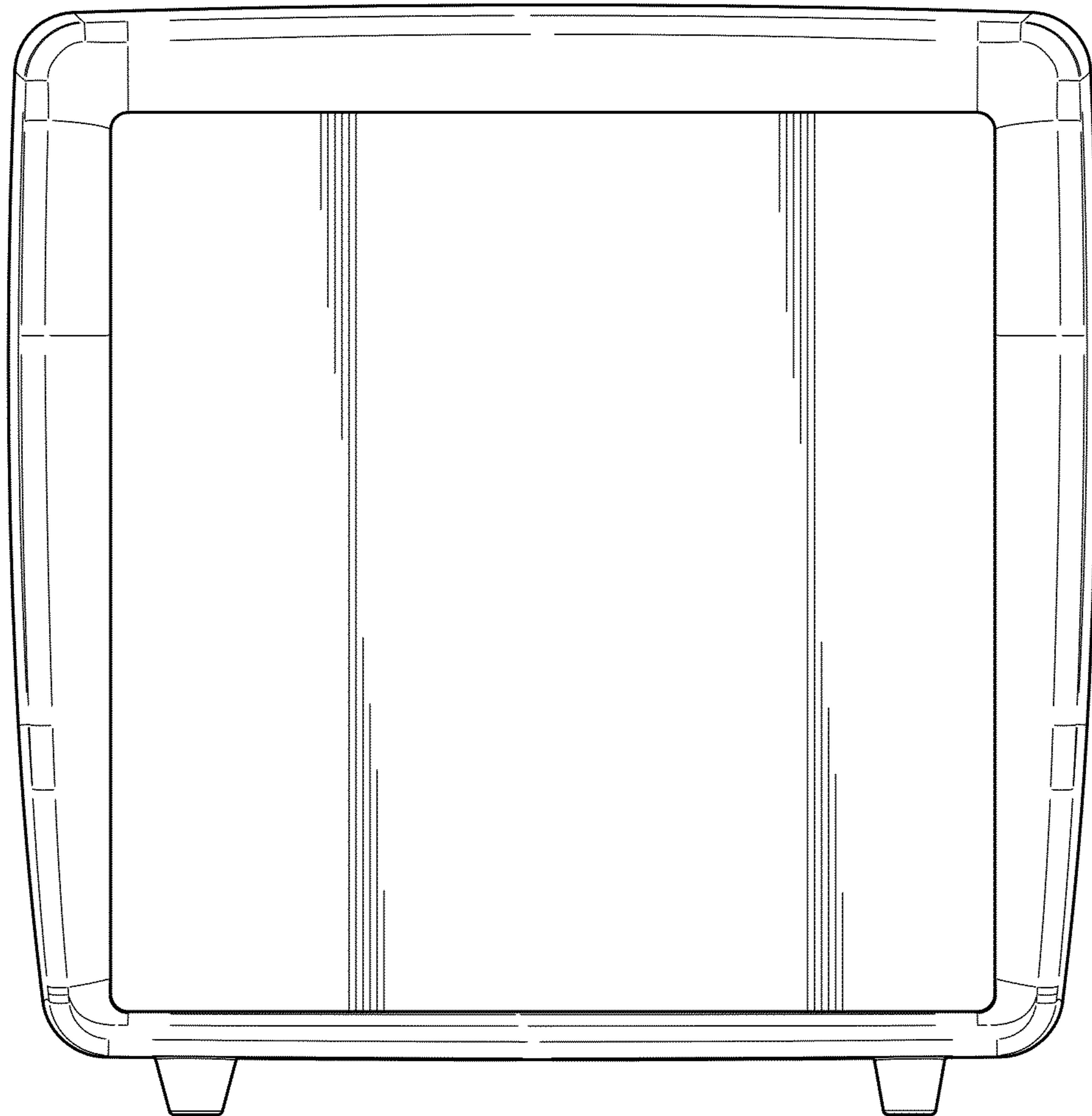
OTHER PUBLICATIONS

Co-pending design U.S. Appl. No. 29/471,505, filed Nov. 1, 2013  
entitled "Cover And Housing For A Display Panel Of A Road Con-  
struction Machine".

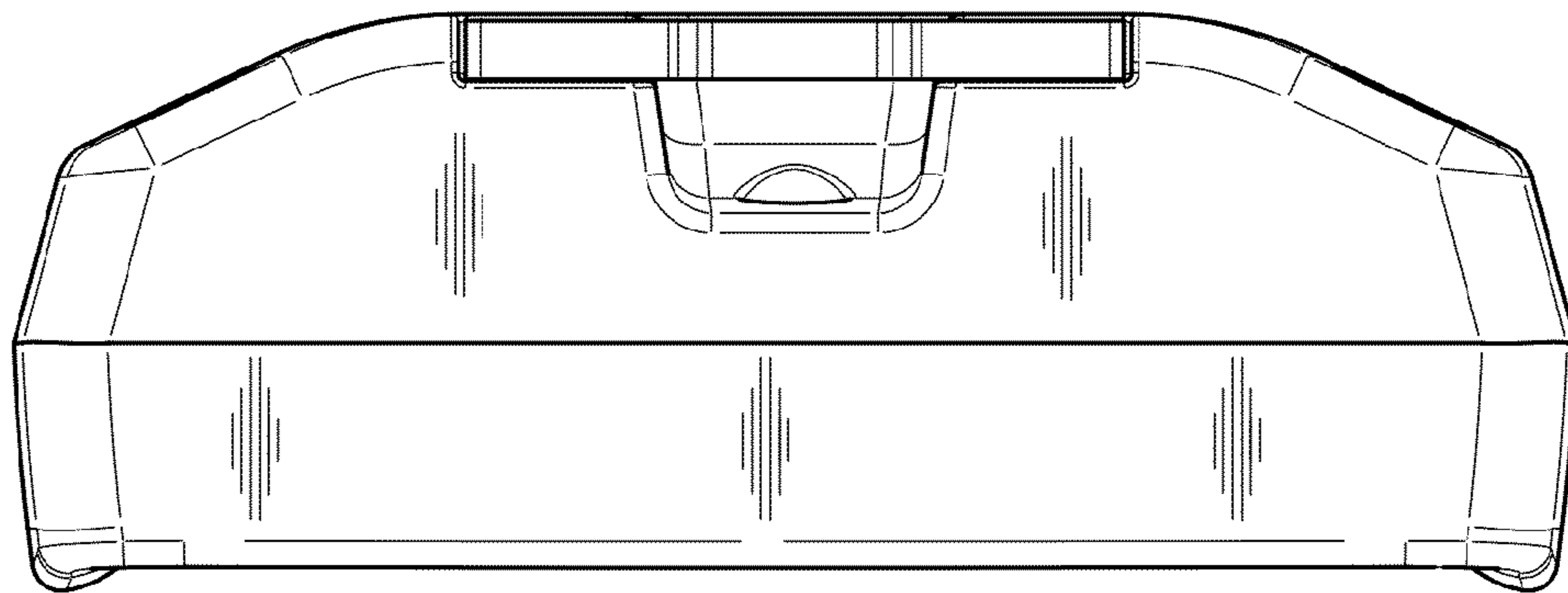
\* cited by examiner



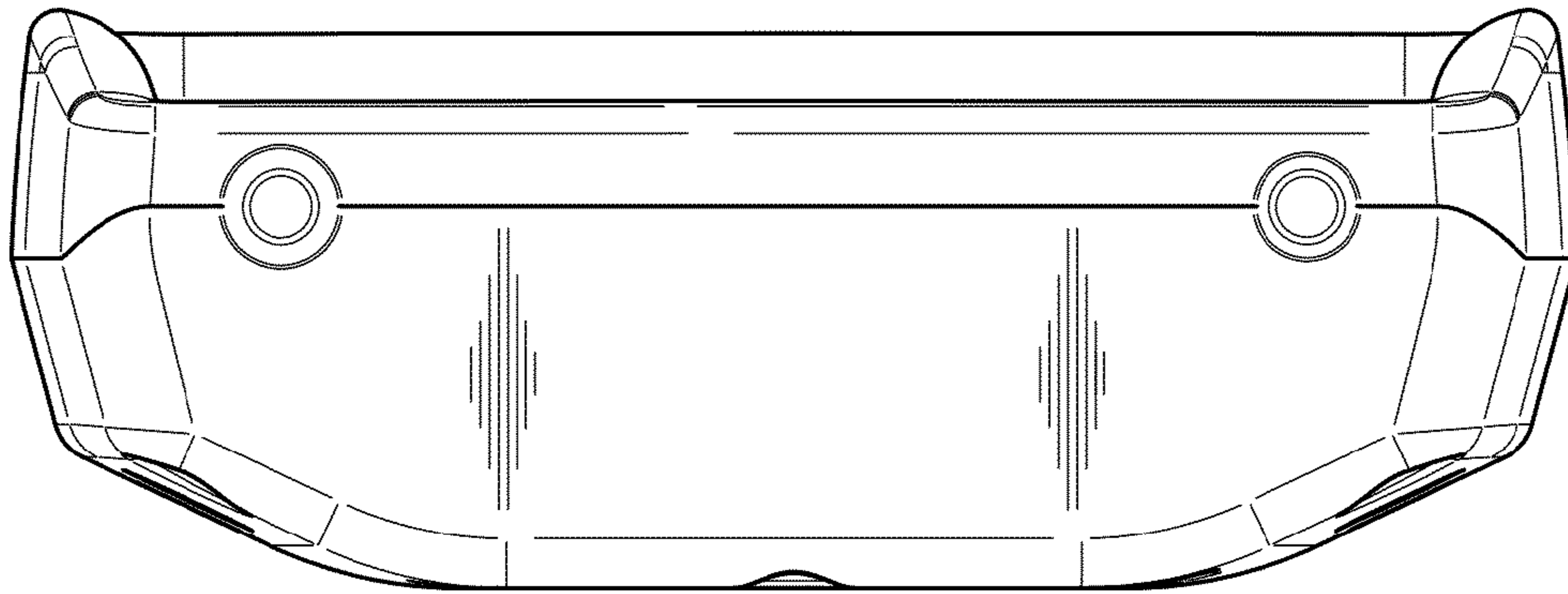
*FIG. 1*



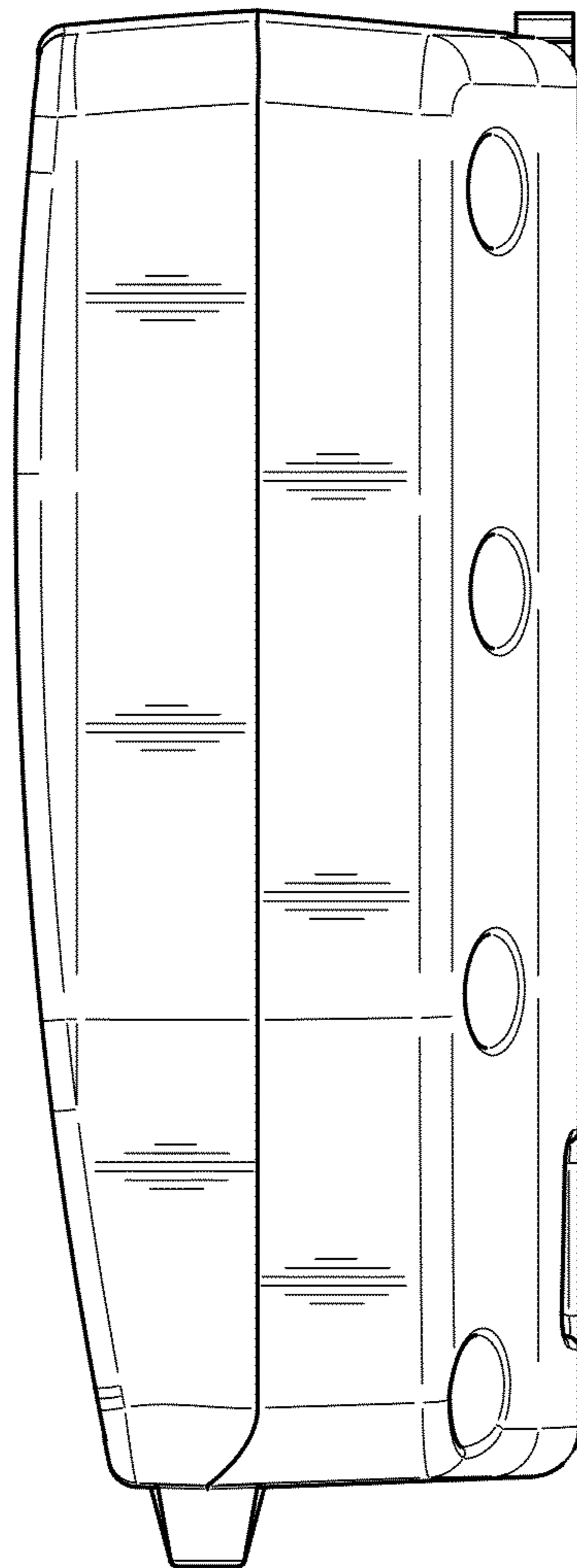
*FIG. 2*



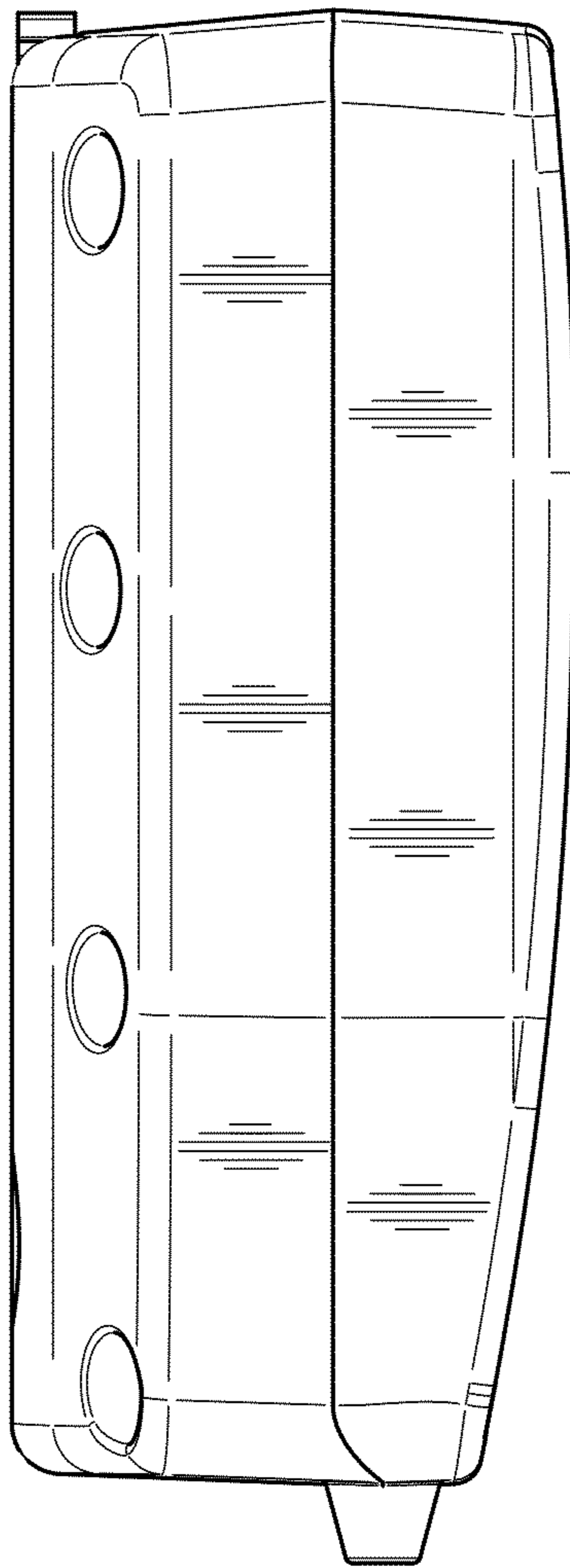
*FIG. 3*



*FIG. 4*



*FIG. 5*



*FIG. 6*