



US00D710397S

(12) **United States Design Patent**
Galletti

(10) **Patent No.:** **US D710,397 S**

(45) **Date of Patent:** **** Aug. 5, 2014**

(54) **MIXING BLADE FOR A MIXER FOR CONCRETE, MORTAR, POWDERS, DRY OR SEMI-DRY GRANULATES, MIXTURES WITH A CEMENT BASE OR SIMILAR OR COMPARABLE MIXTURES**

(71) Applicant: **Officine Meccaniche Galletti O.M.G. SRL**, Frazione Ponte Valleceppi-Perugia (IT)

(72) Inventor: **Paolo Galletti**, Perugia (IT)

(73) Assignee: **Officine Meccaniche Galletti O.M.G. SRL**, Frazione Ponte Valleceppi—Perugia (PG)

(**) Term: **14 Years**

(21) Appl. No.: **29/469,819**

(22) Filed: **Oct. 15, 2013**

(30) **Foreign Application Priority Data**

Apr. 15, 2013 (EM) 002220616-0001

(51) **LOC (10) Cl.** **15-03**

(52) **U.S. Cl.**
USPC **D15/28**

(58) **Field of Classification Search**
USPC D15/11, 17, 19, 21, 28, 29; 366/57, 59, 366/45, 227, 229, 341, 343, 64, 325, 320, 366/603
See application file for complete search history.

(56) **References Cited**

U.S. PATENT DOCUMENTS

3,160,400 A * 12/1964 Harrison 366/65
3,168,296 A * 2/1965 Cowley 366/65
4,175,341 A * 11/1979 Mortimore 37/301

D274,187 S * 6/1984 Krammer D15/11
4,506,984 A * 3/1985 Strehlow 366/65
D280,728 S * 9/1985 Krammer D15/11
D297,738 S * 9/1988 Johansson D15/28
4,787,462 A * 11/1988 Nichols 172/730
5,393,139 A * 2/1995 Thorson et al. 366/65
5,495,814 A * 3/1996 Primus 111/124
5,941,318 A * 8/1999 Bergen 172/730
6,227,697 B1 * 5/2001 Stahl 366/288
D459,367 S * 6/2002 Hama D15/28
6,523,996 B2 * 2/2003 Proper 366/314
6,586,150 B2 * 7/2003 Proper 430/137.1
6,752,527 B2 * 6/2004 Galletti 366/66
D513,013 S * 12/2005 Fujiki et al. D15/19
D515,104 S * 2/2006 Fujiki et al. D15/19
D640,288 S * 6/2011 Shimbashi D15/17
2003/0072209 A1 * 4/2003 Galletti 366/64

* cited by examiner

Primary Examiner — Mark Goodwin

(74) *Attorney, Agent, or Firm* — Hamre, Schumann, Mueller & Larson, P.C.

(57) **CLAIM**

The ornamental design for a mixing blade for a mixer for concrete, mortar, powders, dry or semi-dry granulates, mixtures with a cement base or similar or comparable mixtures, as shown and described.

DESCRIPTION

FIG. 1 is a perspective view of a mixing blade for a mixer for concrete, mortar, powders, dry or semi-dry granulates, mixtures with a cement base or similar or comparable mixtures showing my new design;

FIG. 2 is a front view thereof;

FIG. 3 is a rear view thereof;

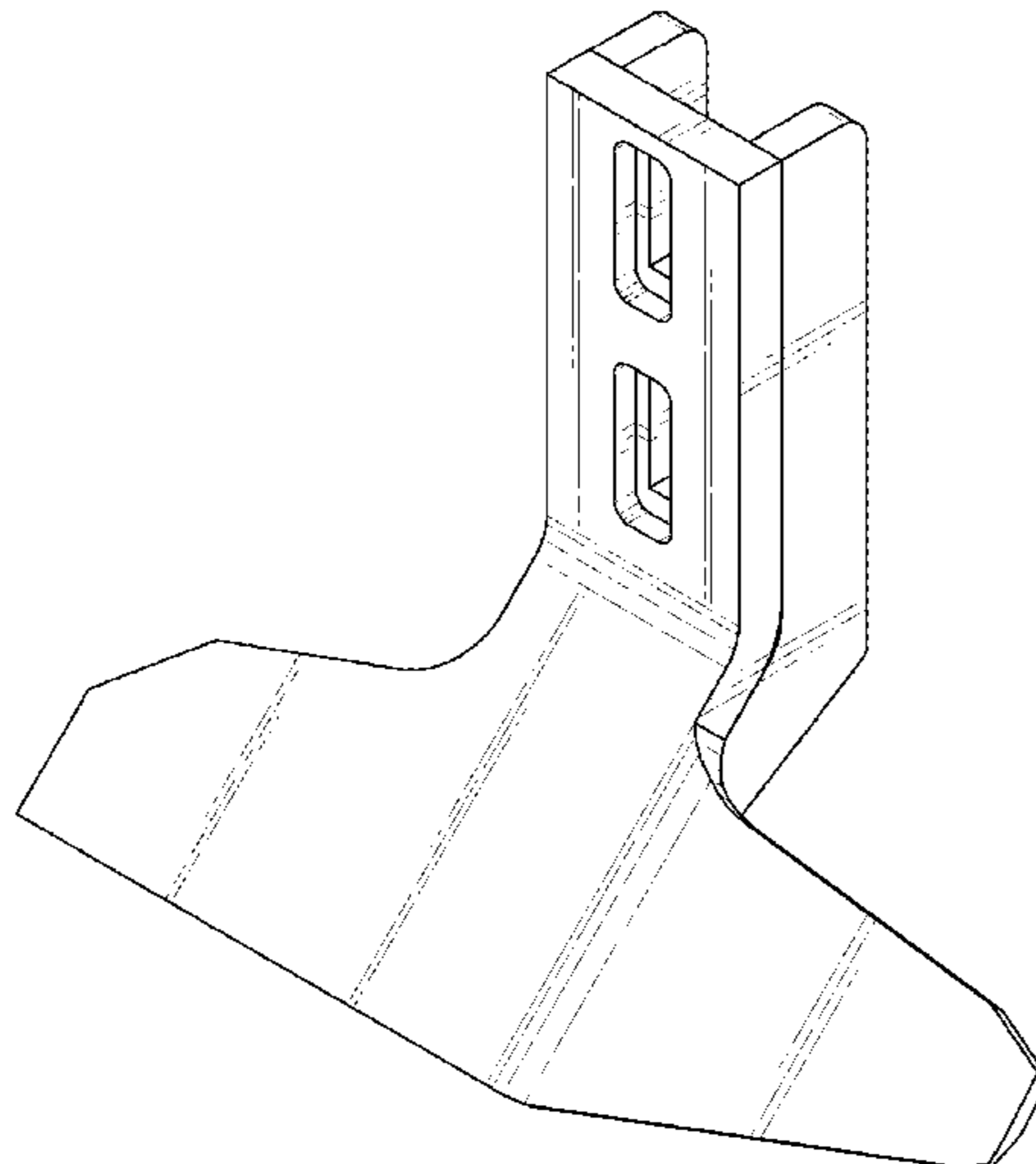
FIG. 4 is a right side view thereof;

FIG. 5 is a left side view thereof;

FIG. 6 is a top plan view thereof; and,

FIG. 7 is a bottom plan view thereof.

1 Claim, 7 Drawing Sheets



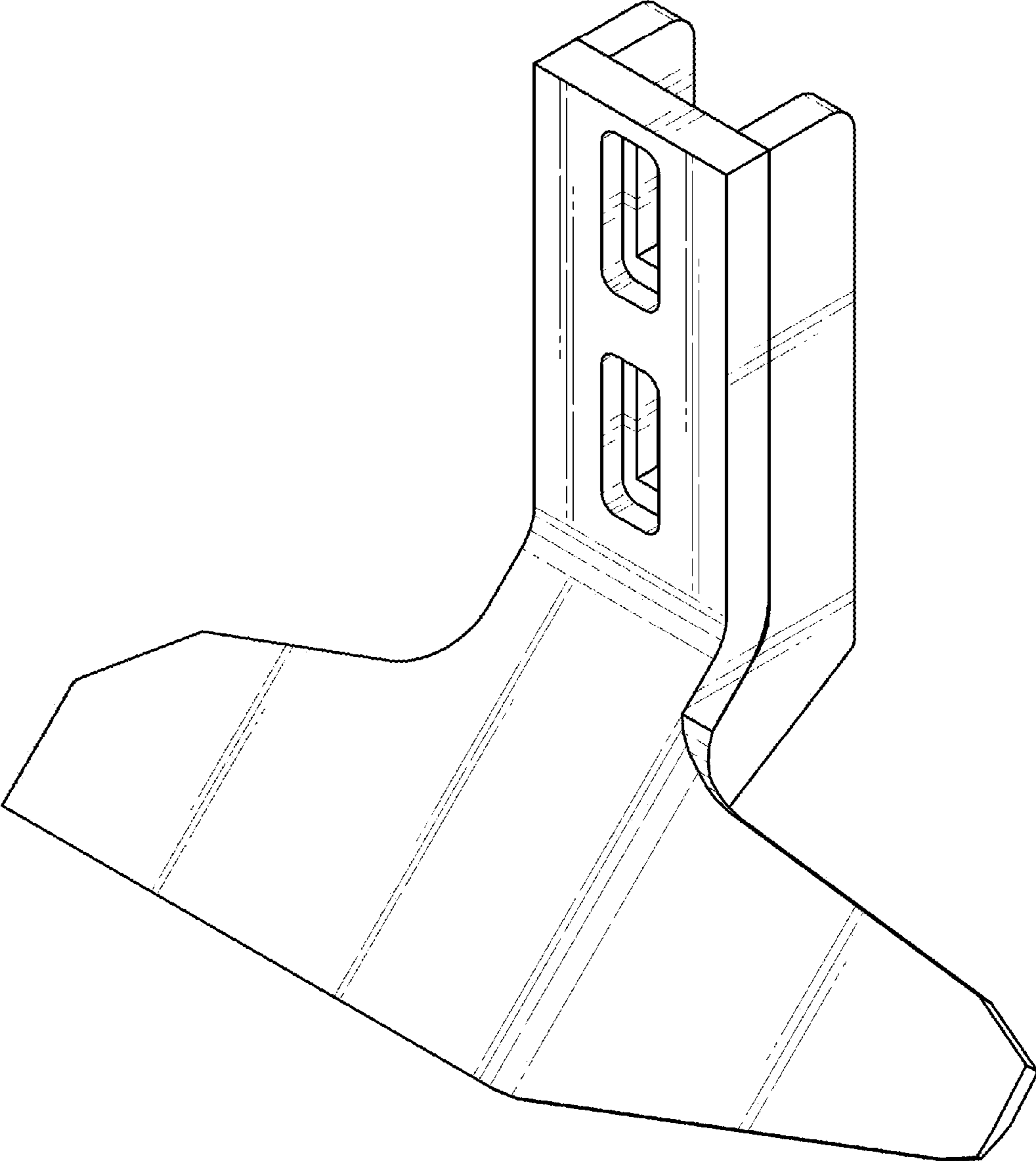


Fig. 1

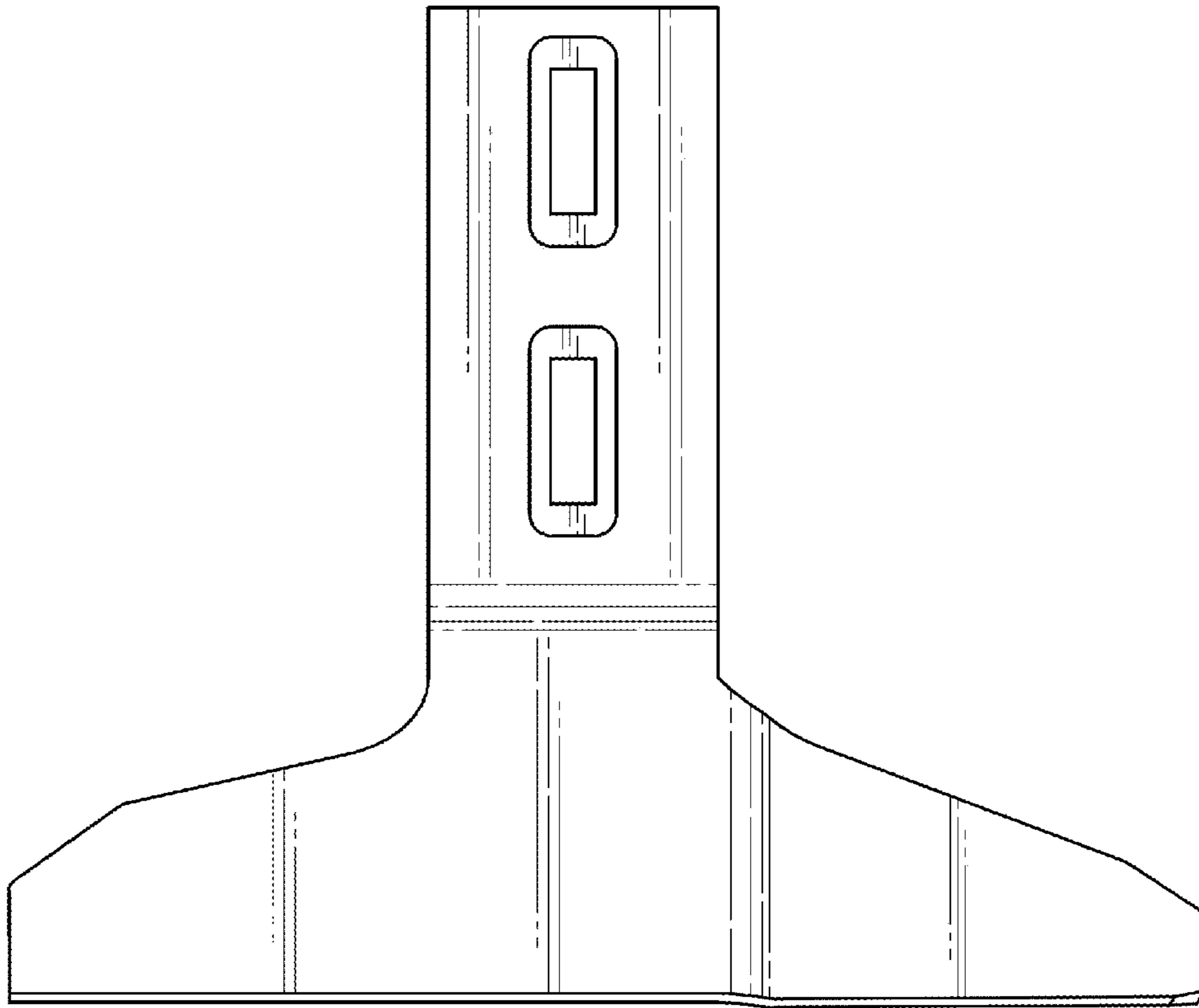


Fig. 2

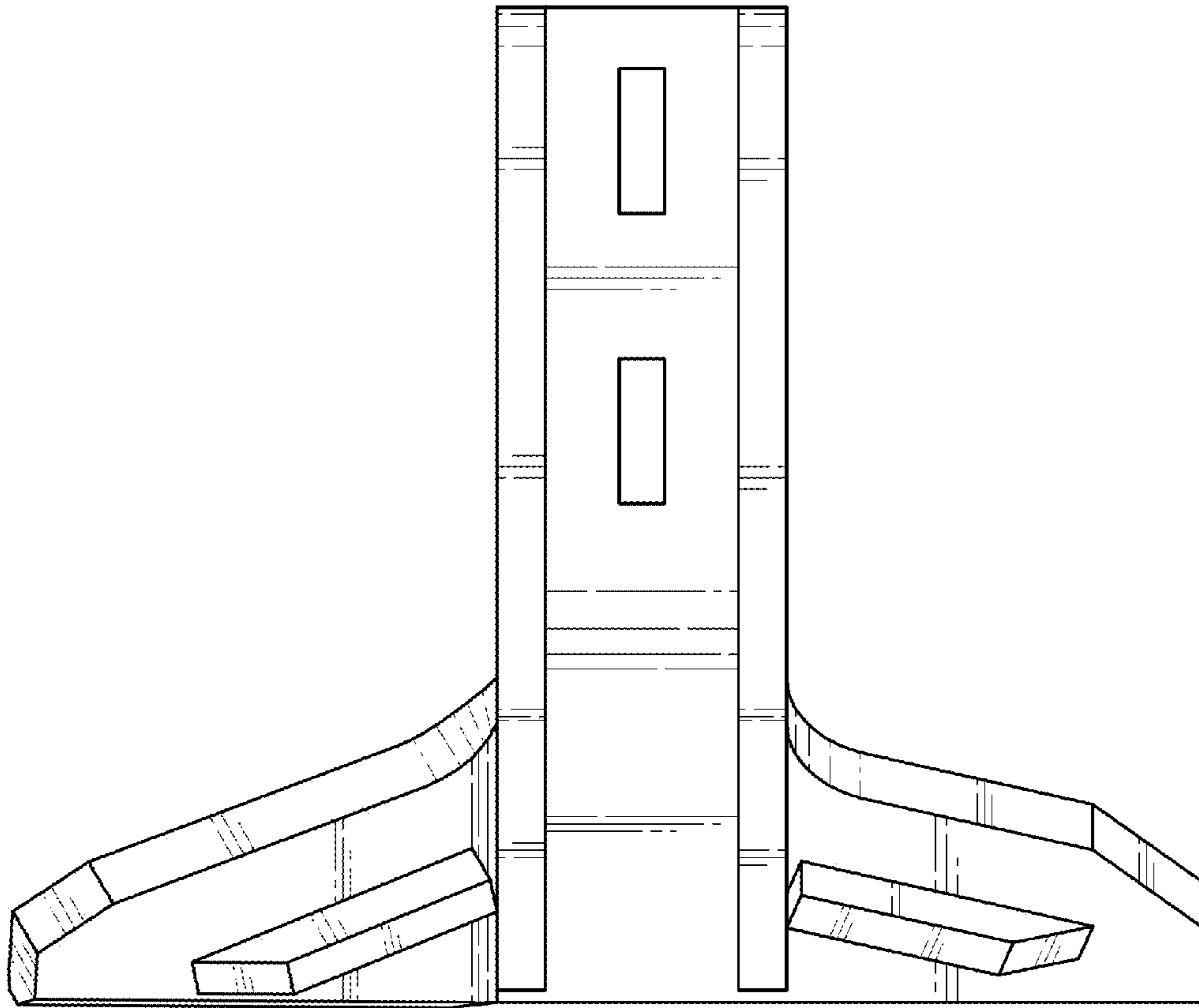


Fig. 3

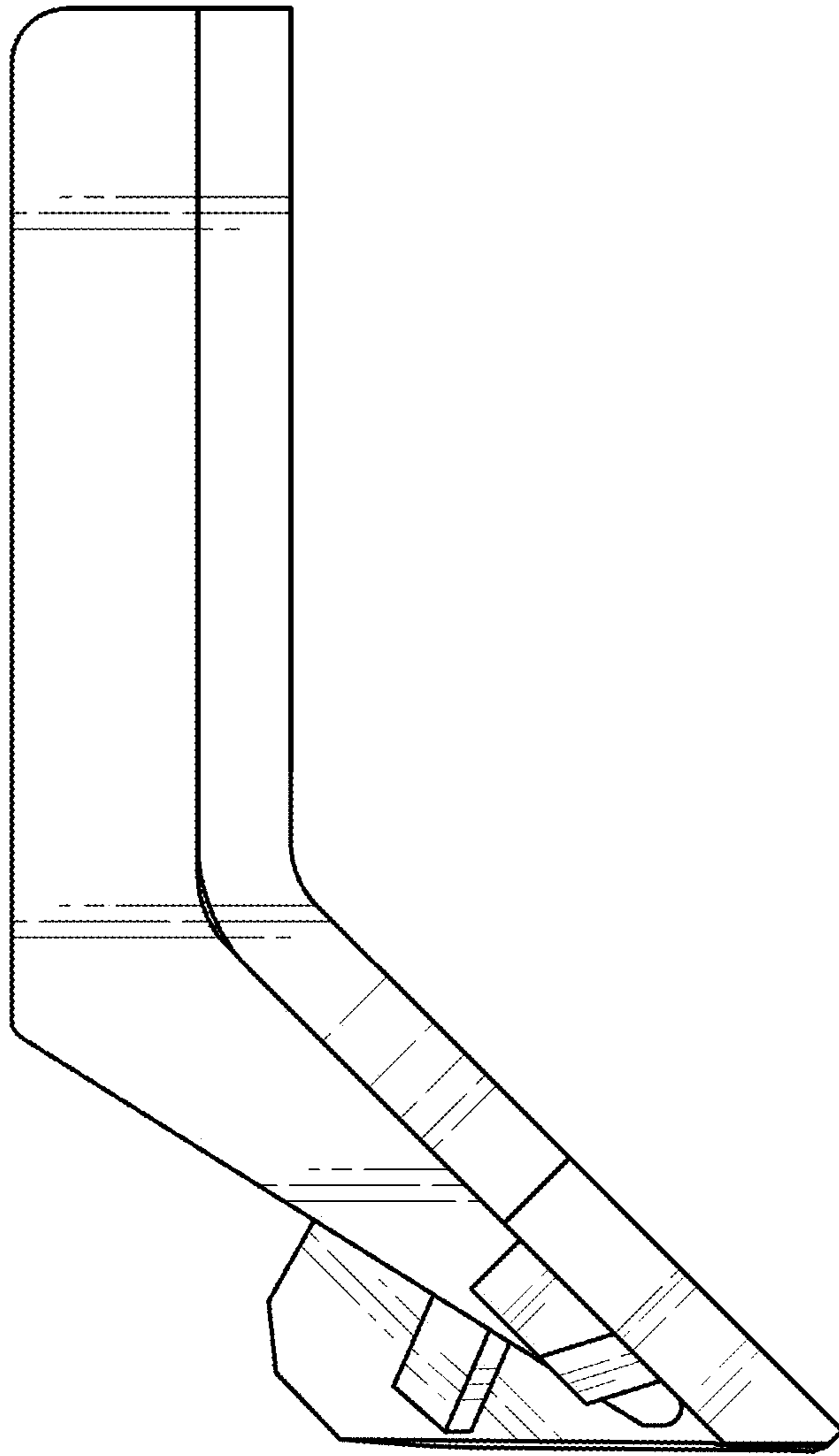


Fig. 4

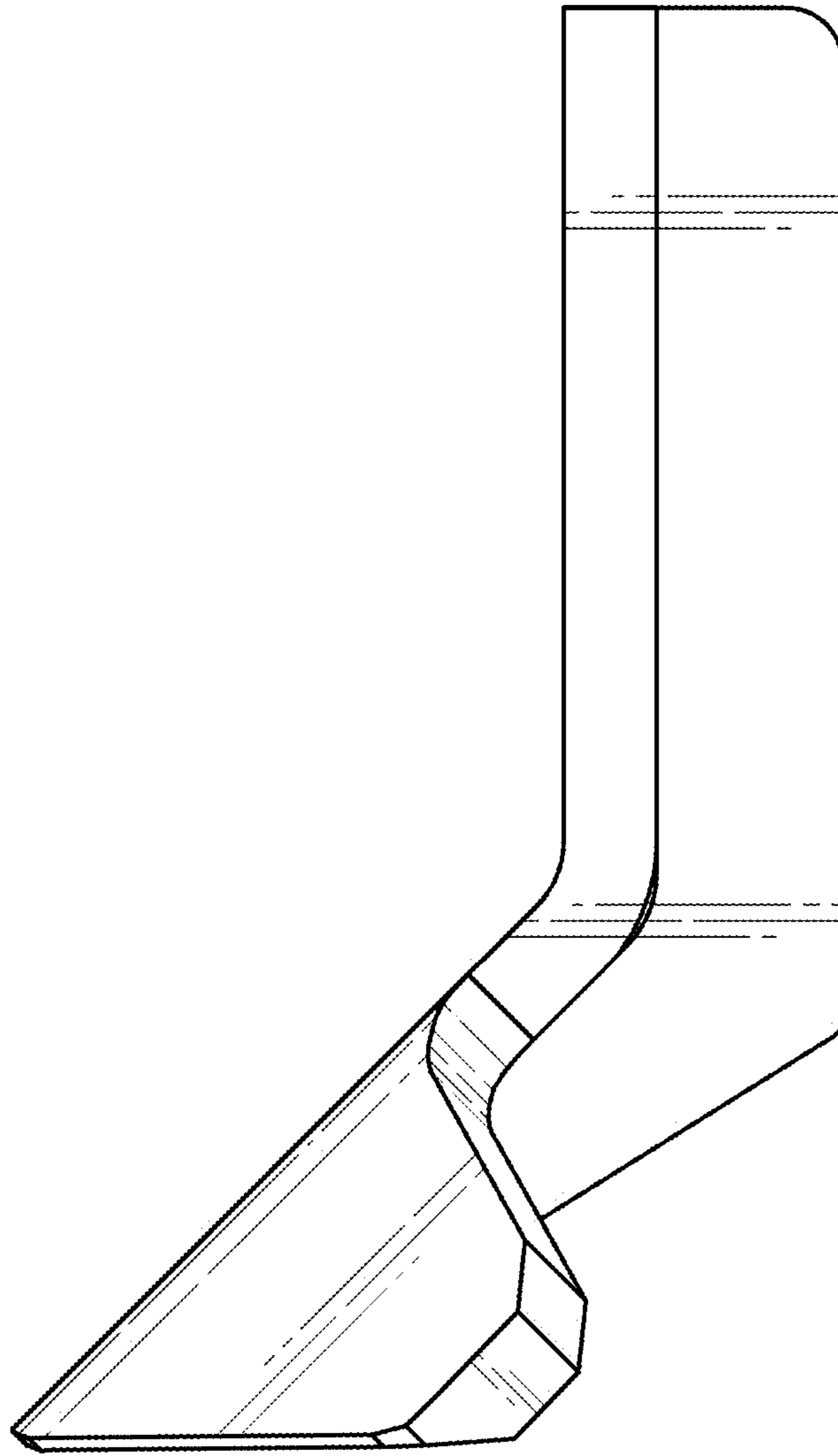


Fig. 5

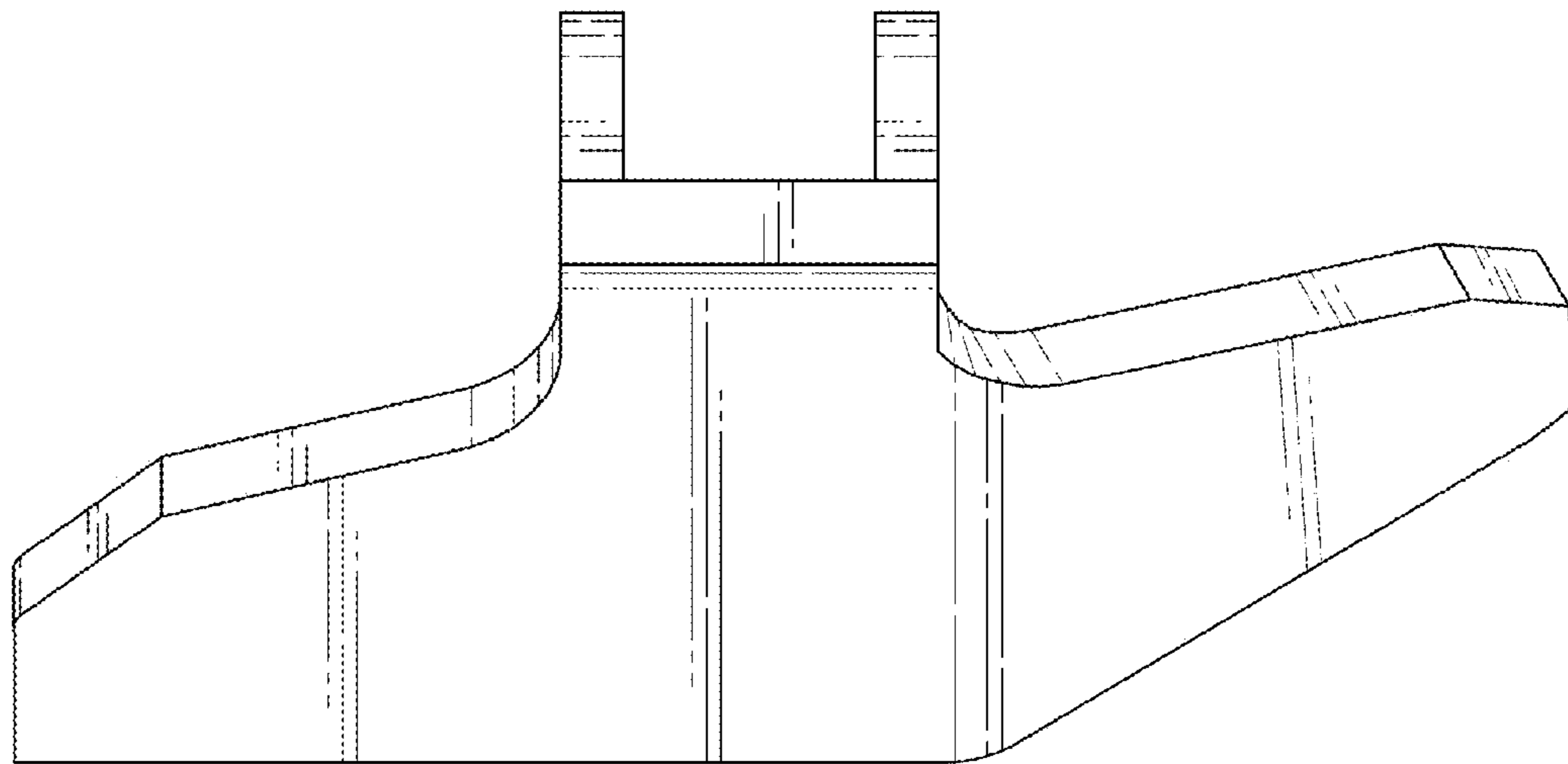


Fig. 6

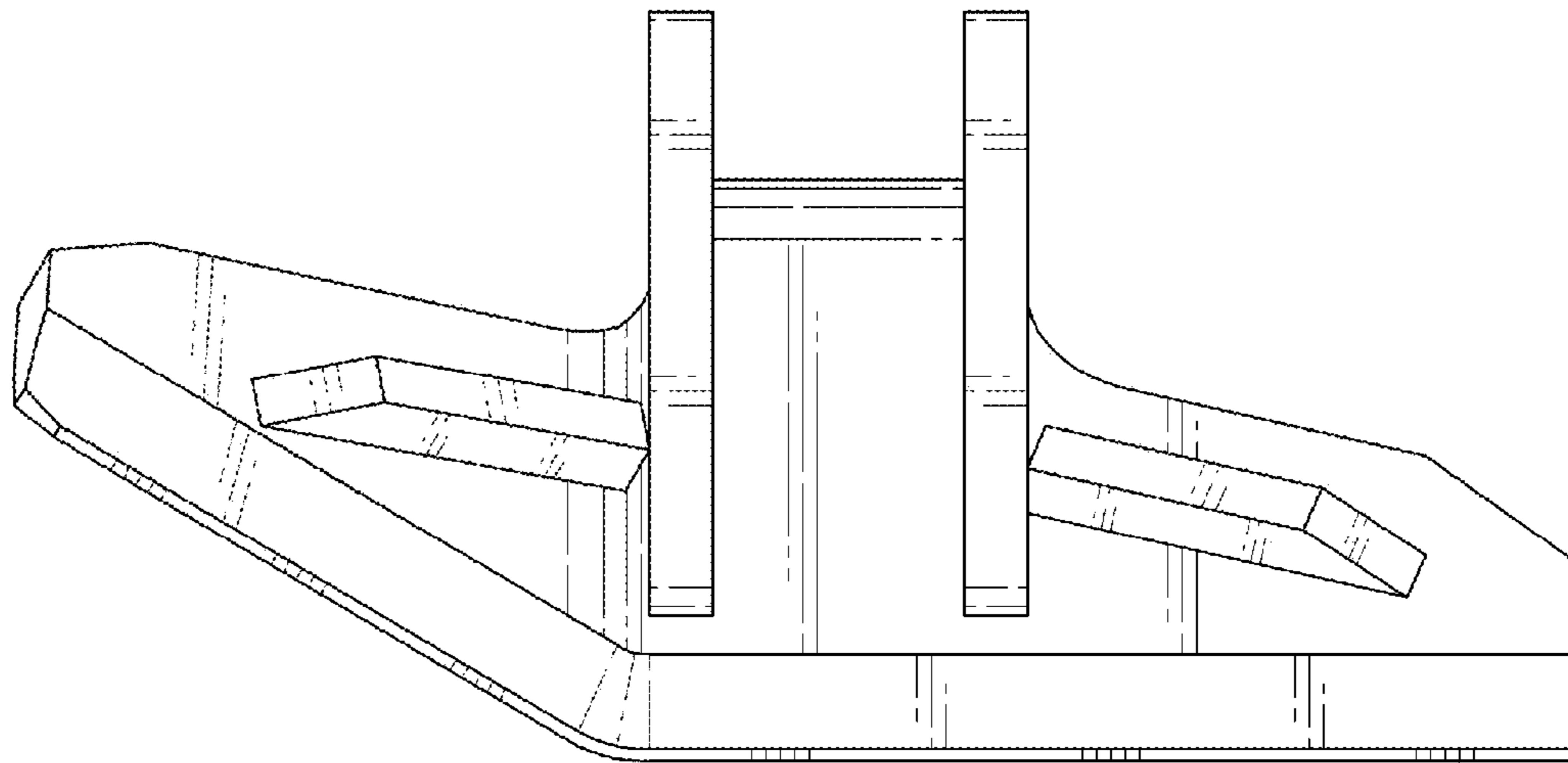


Fig. 7