



US00D710394S

(12) **United States Design Patent**  
**Chu**

(10) **Patent No.:** **US D710,394 S**

(45) **Date of Patent:** **\*\* Aug. 5, 2014**

(54) **CAP FOR AIR COMPRESSOR**

(71) Applicant: **Henry C. Chu**, Orange, CA (US)

(72) Inventor: **Henry C. Chu**, Orange, CA (US)

(\*\*) Term: **14 Years**

(21) Appl. No.: **29/480,084**

(22) Filed: **Jan. 23, 2014**

(51) **LOC (10) Cl.** ..... **15-02**

(52) **U.S. Cl.**  
USPC ..... **D15/9**

(58) **Field of Classification Search**  
CPC ..... F04B 39/00; F04B 1/12; F04B 11/00;  
F04B 39/12; F01N 7/10  
USPC ..... D15/7-9; D23/231, 232, 225; 417/60,  
417/235, 265, 321, 355, 358, 363, 359,  
417/410.1, 415-416, 405, 900, 312, 269;  
60/408, 412; 184/26-37; 415/140-147;  
123/495, 509  
See application file for complete search history.

(56) **References Cited**

**U.S. PATENT DOCUMENTS**

|           |      |         |                 |         |
|-----------|------|---------|-----------------|---------|
| 4,880,361 | A *  | 11/1989 | Ikeda et al.    | 417/269 |
| 4,930,995 | A *  | 6/1990  | Suzuki et al.   | 417/312 |
| 5,236,312 | A *  | 8/1993  | Finn et al.     | 417/269 |
| 5,607,287 | A *  | 3/1997  | Ikeda et al.    | 417/269 |
| 5,842,836 | A *  | 12/1998 | Tarutani et al. | 417/269 |
| 6,705,843 | B1 * | 3/2004  | Kuo             | 417/312 |
| D507,280  | S *  | 7/2005  | Chu et al.      | D15/9   |
| D529,050  | S *  | 9/2006  | Chu             | D15/9   |
| D529,927  | S *  | 10/2006 | Chu             | D15/9   |
| D529,928  | S *  | 10/2006 | Chu             | D15/9   |
| D529,930  | S *  | 10/2006 | Chu             | D15/9   |
| D533,881  | S *  | 12/2006 | Chu             | D15/9   |
| D554,666  | S *  | 11/2007 | Chu             | D15/9   |
| D554,667  | S *  | 11/2007 | Chu             | D15/9   |
| D555,174  | S *  | 11/2007 | Hwang           | D15/9   |
| D555,670  | S *  | 11/2007 | Hwang           | D15/9   |

|           |      |         |               |         |
|-----------|------|---------|---------------|---------|
| D556,783  | S *  | 12/2007 | Chu           | D15/9   |
| D557,287  | S *  | 12/2007 | Chu           | D15/9   |
| D574,854  | S *  | 8/2008  | Chu           | D15/9   |
| D574,855  | S *  | 8/2008  | Chu           | D15/9   |
| D575,306  | S *  | 8/2008  | Chu           | D15/9   |
| D575,307  | S *  | 8/2008  | Chu           | D15/9   |
| D575,802  | S *  | 8/2008  | Chu           | D15/9   |
| 7,494,328 | B2 * | 2/2009  | Bhatia et al. | 417/312 |
| D589,064  | S *  | 3/2009  | Chu           | D15/9   |
| D589,534  | S *  | 3/2009  | Chu           | D15/9   |
| D603,873  | S *  | 11/2009 | Chu           | D15/9   |
| D603,874  | S *  | 11/2009 | Chu           | D15/9   |
| D603,875  | S *  | 11/2009 | Chu           | D15/9   |

(Continued)

*Primary Examiner* — Ralf Seifert

(74) *Attorney, Agent, or Firm* — Charles E. Baxley

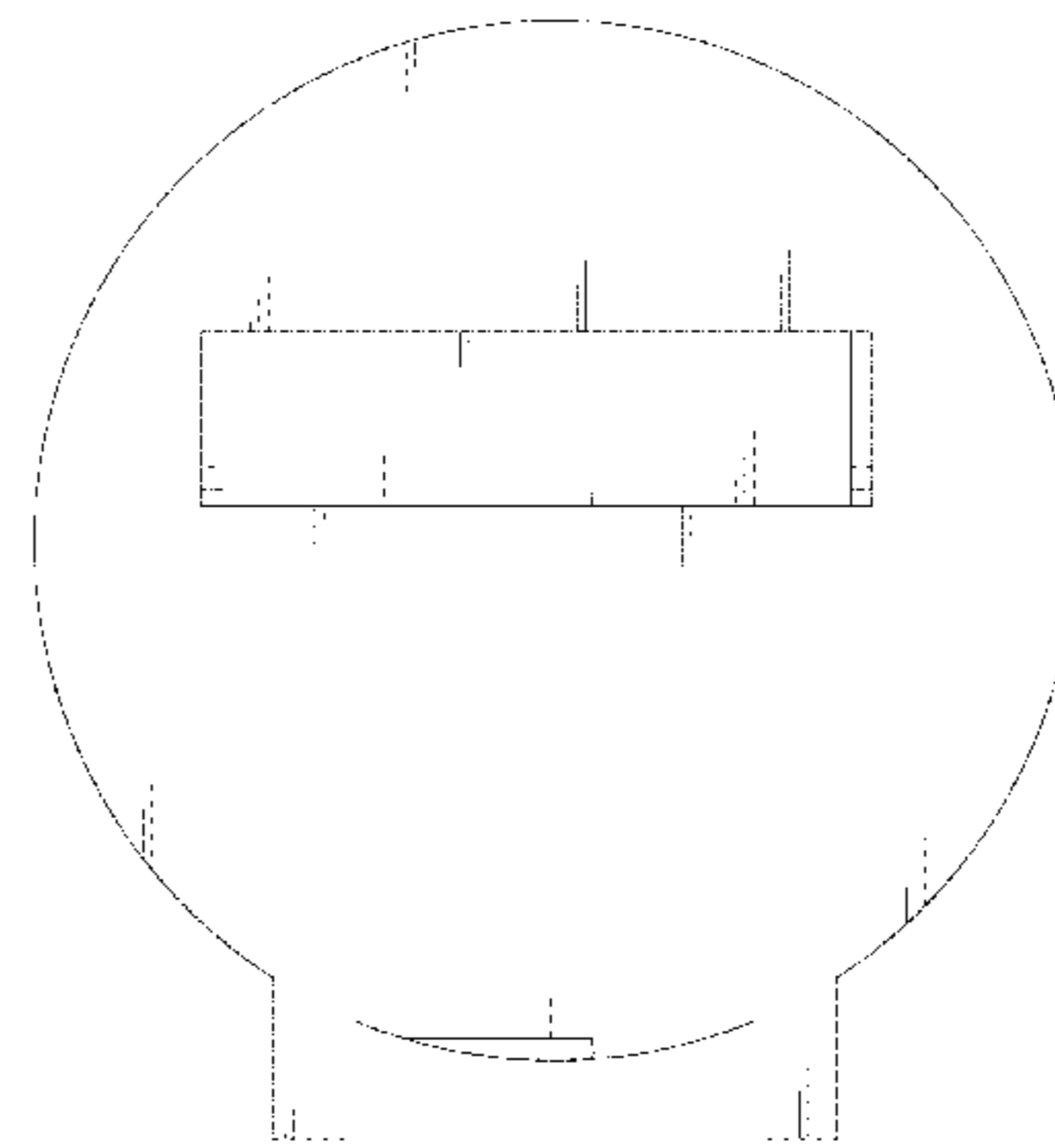
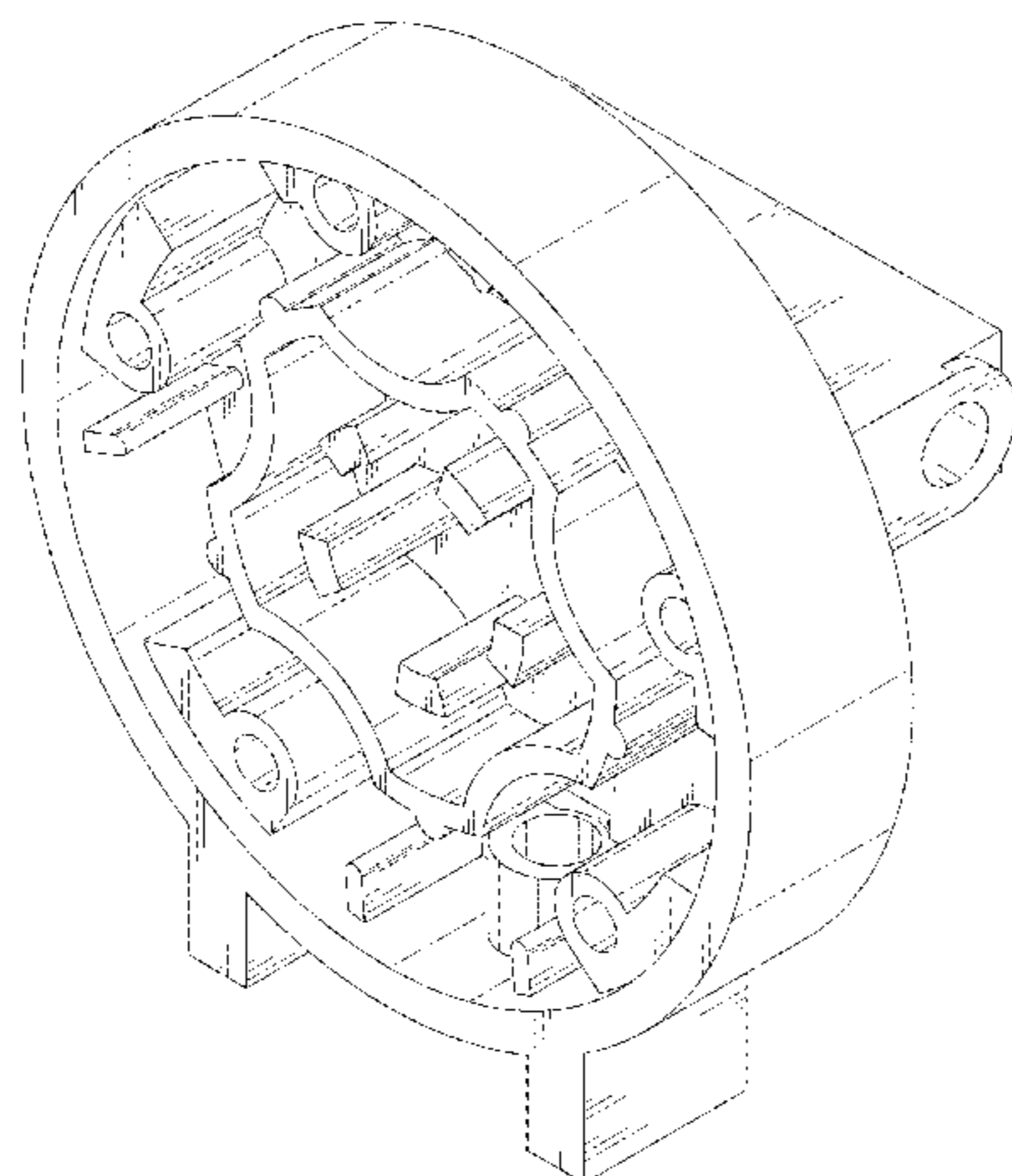
(57) **CLAIM**

The ornamental design for a cap for air compressor, as shown a described.

**DESCRIPTION**

FIG. 1 is a front perspective view of a cap for air compressor showing my new design;  
 FIG. 2 is a front elevational view thereof;  
 FIG. 3 is a rear elevational view thereof;  
 FIG. 4 is a top plan view thereof;  
 FIG. 5 is a bottom plan view thereof;  
 FIG. 6 is a left side elevational view thereof;  
 FIG. 7 is a right side elevational view thereof;  
 FIG. 8 is a rear and upper perspective view thereof;  
 FIG. 9 is a rear and bottom perspective view thereof;  
 FIG. 10 is a front elevational view thereof, the openings and the ribs depicted by means of broken lines being for illustrative purposes only and forming no part of the claimed design;  
 and,  
 FIG. 11 is a rear and bottom perspective view thereof, the openings and the ribs depicted by means of broken lines being for illustrative purposes only and forming no part of the claimed design.

**1 Claim, 9 Drawing Sheets**



(56)

**References Cited**

U.S. PATENT DOCUMENTS

|            |   |         |     |       |       |            |   |         |     |       |       |
|------------|---|---------|-----|-------|-------|------------|---|---------|-----|-------|-------|
| D617,349 S | * | 6/2010  | Chu | ..... | D15/9 | D648,752 S | * | 11/2011 | Chu | ..... | D15/9 |
| D647,925 S | * | 11/2011 | Chu | ..... | D15/9 | D648,753 S | * | 11/2011 | Chu | ..... | D15/9 |
| D648,749 S | * | 11/2011 | Chu | ..... | D15/9 | D656,963 S | * | 4/2012  | Nam | ..... | D15/7 |
| D648,751 S | * | 11/2011 | Chu | ..... | D15/9 | D666,218 S | * | 8/2012  | Chu | ..... | D15/9 |
|            |   |         |     |       |       | D666,219 S | * | 8/2012  | Chu | ..... | D15/9 |
|            |   |         |     |       |       | D678,916 S | * | 3/2013  | Chu | ..... | D15/9 |
|            |   |         |     |       |       | D694,272 S | * | 11/2013 | Chu | ..... | D15/9 |

\* cited by examiner

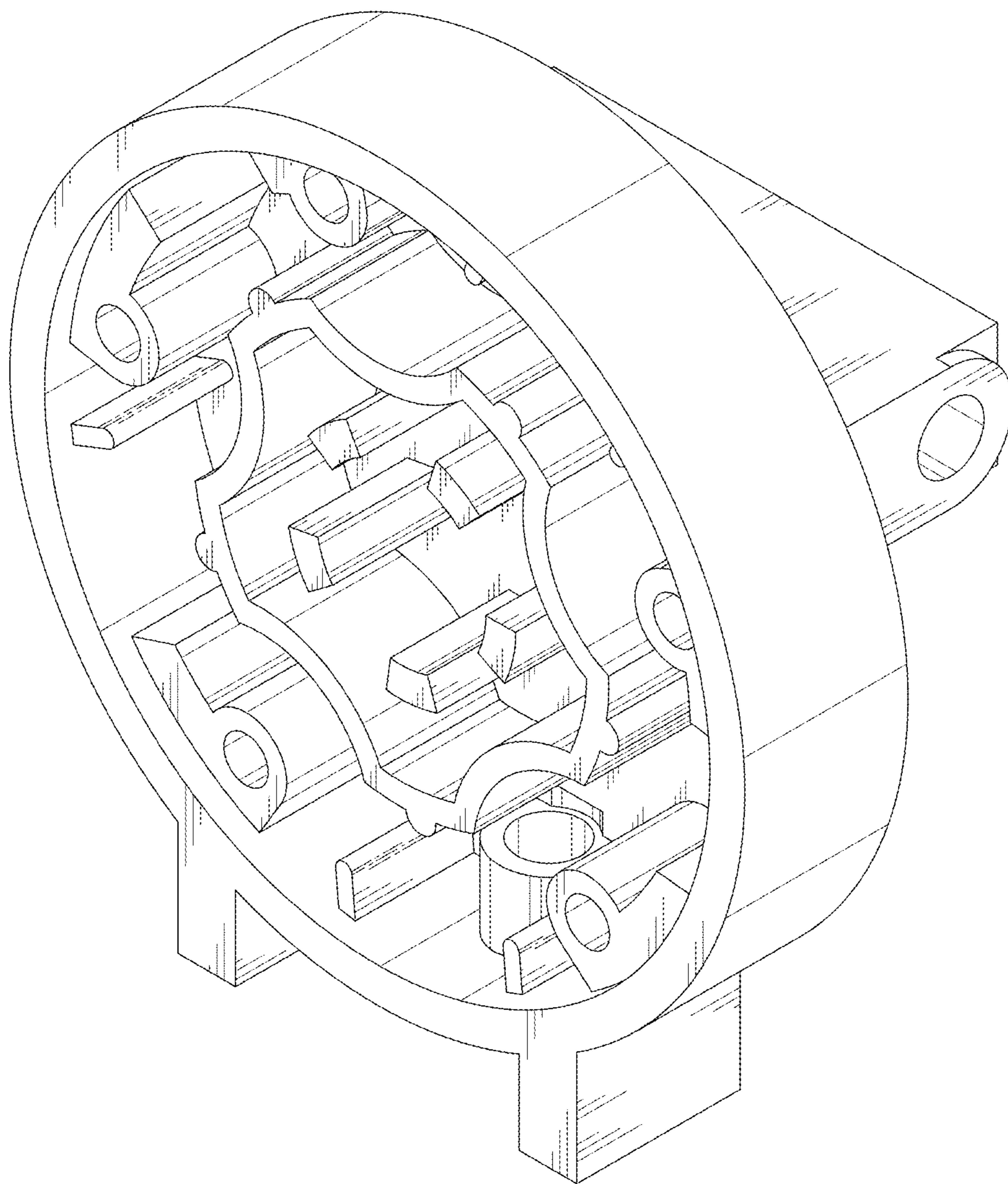


FIG. 1

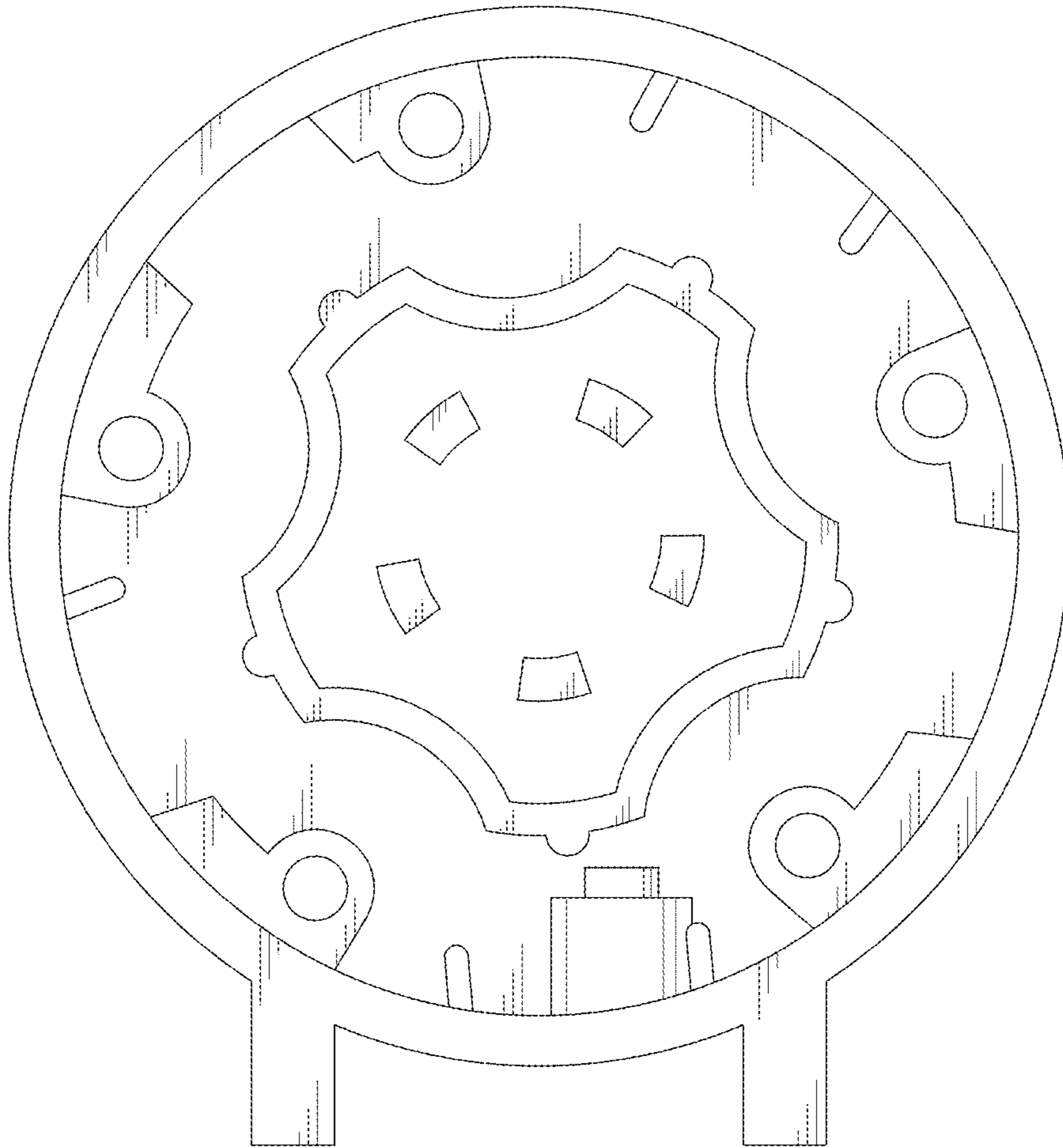


FIG. 2

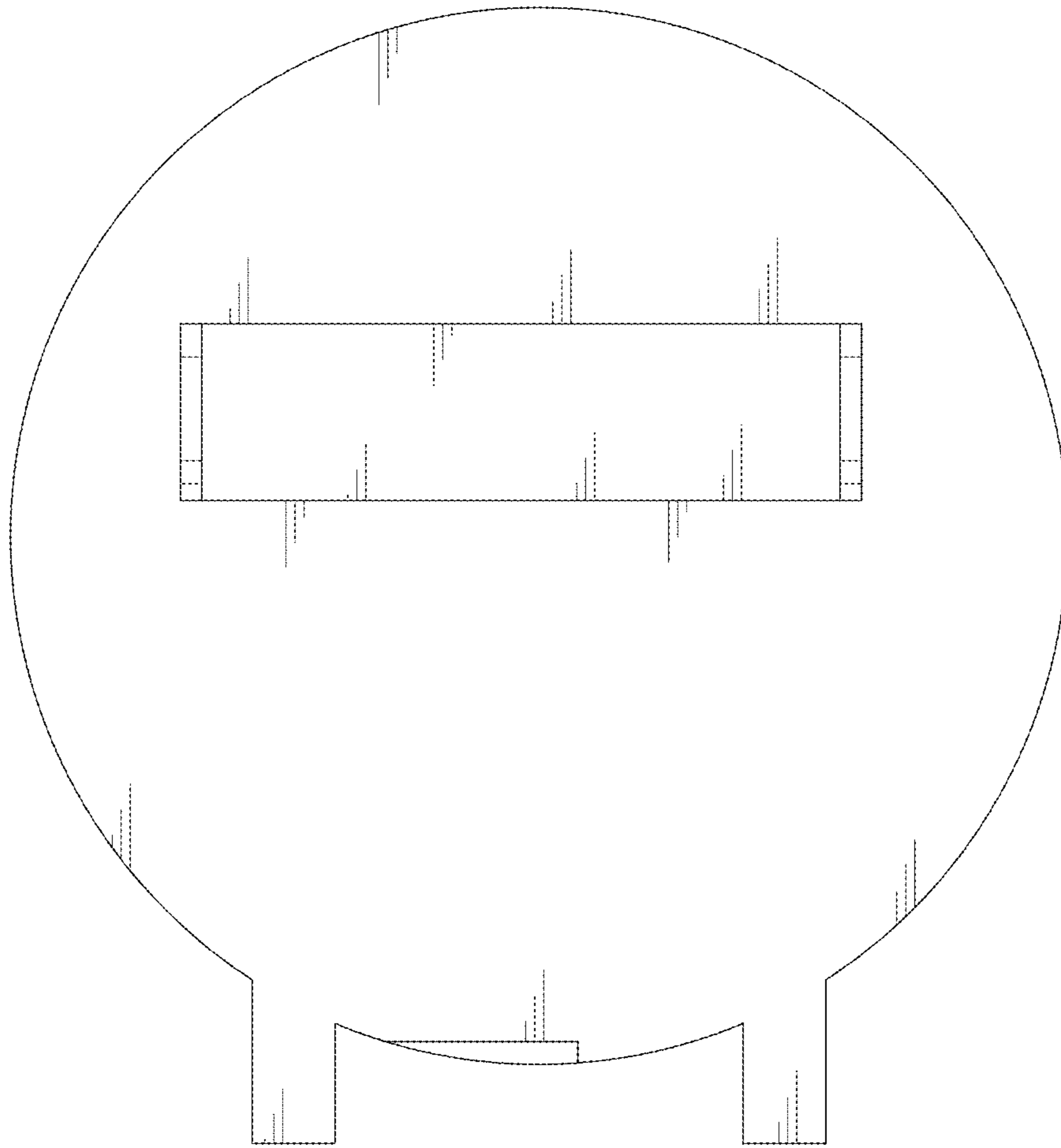


FIG. 3

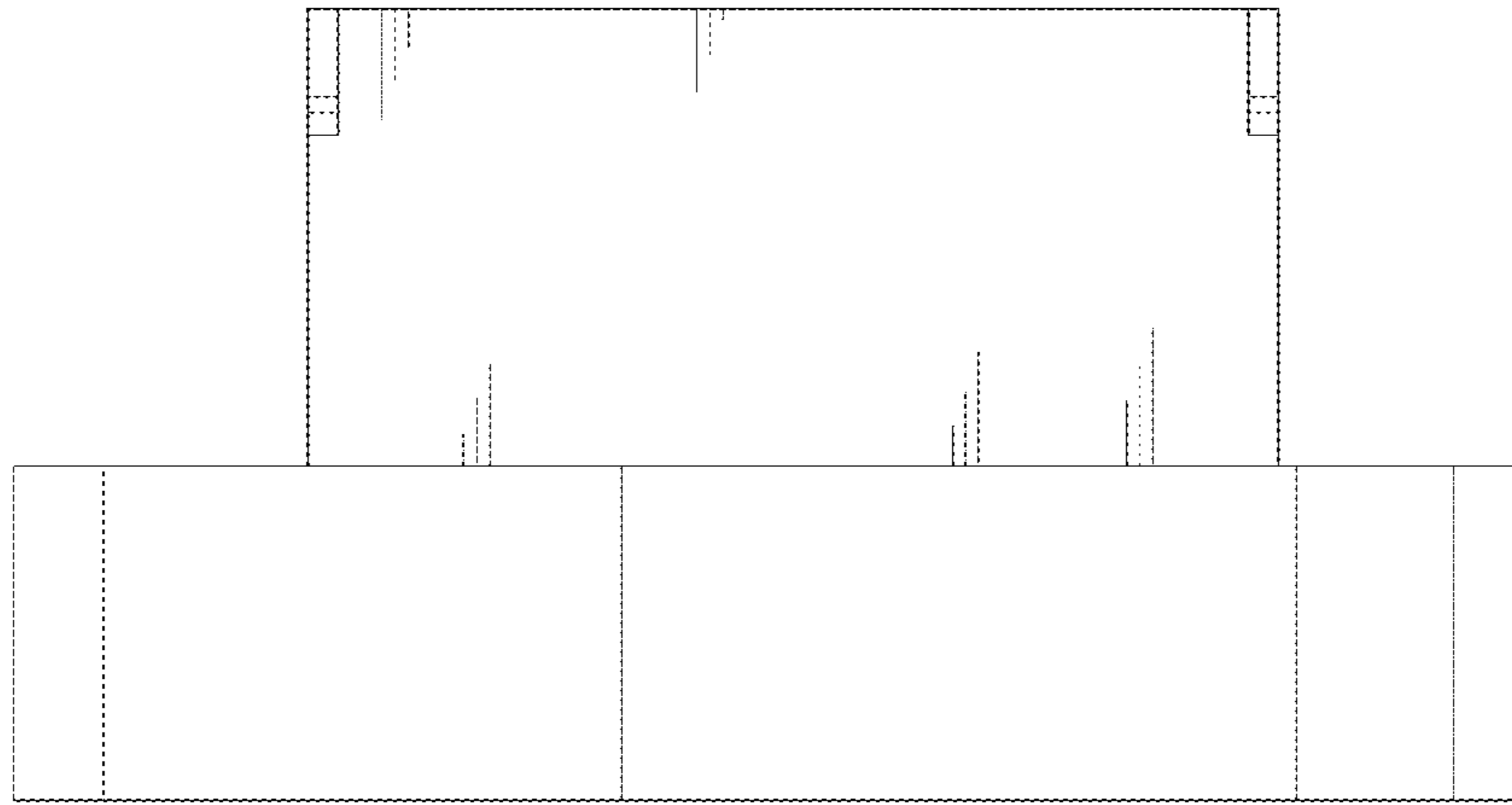


FIG. 4

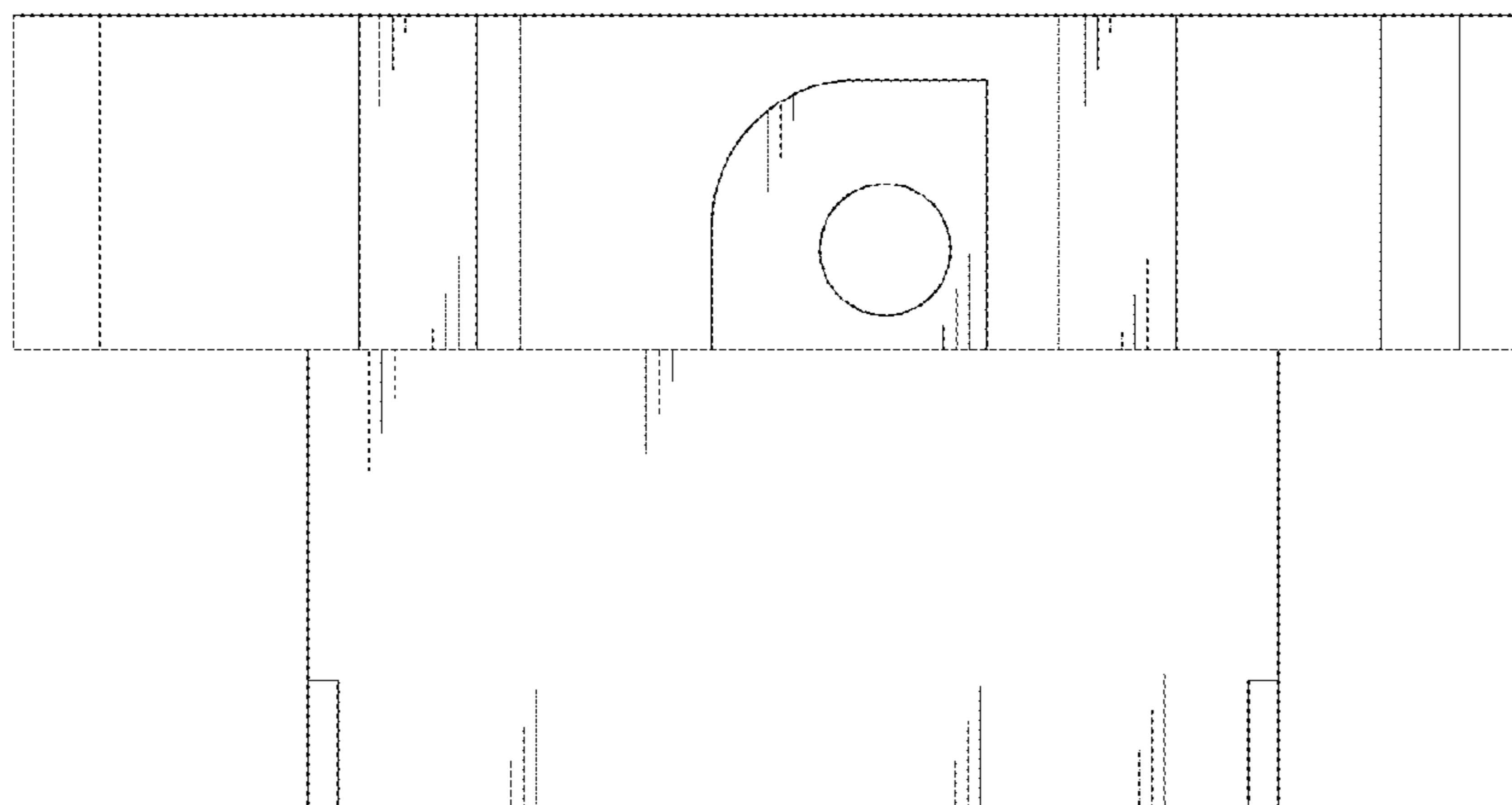


FIG. 5

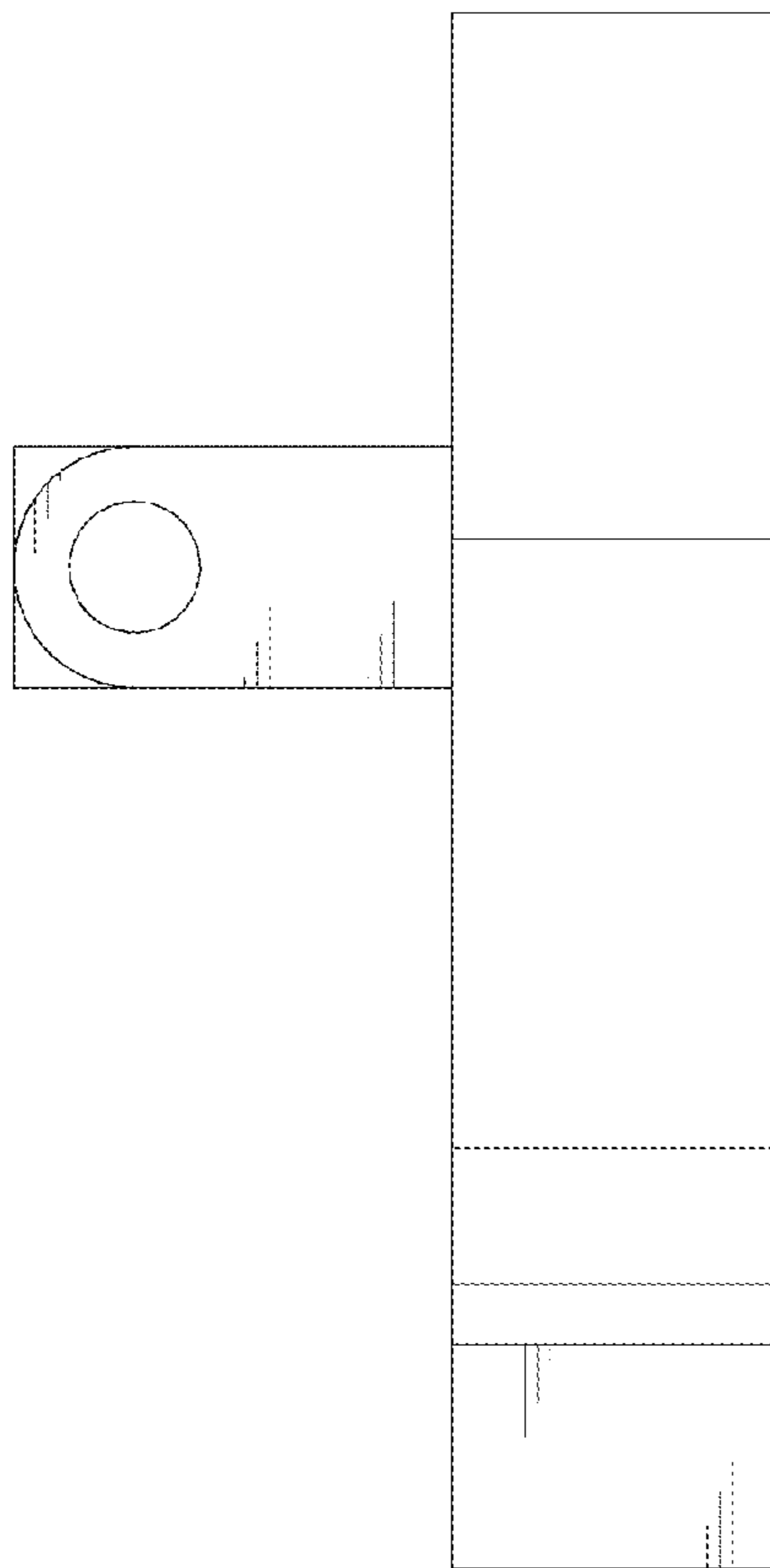


FIG. 6

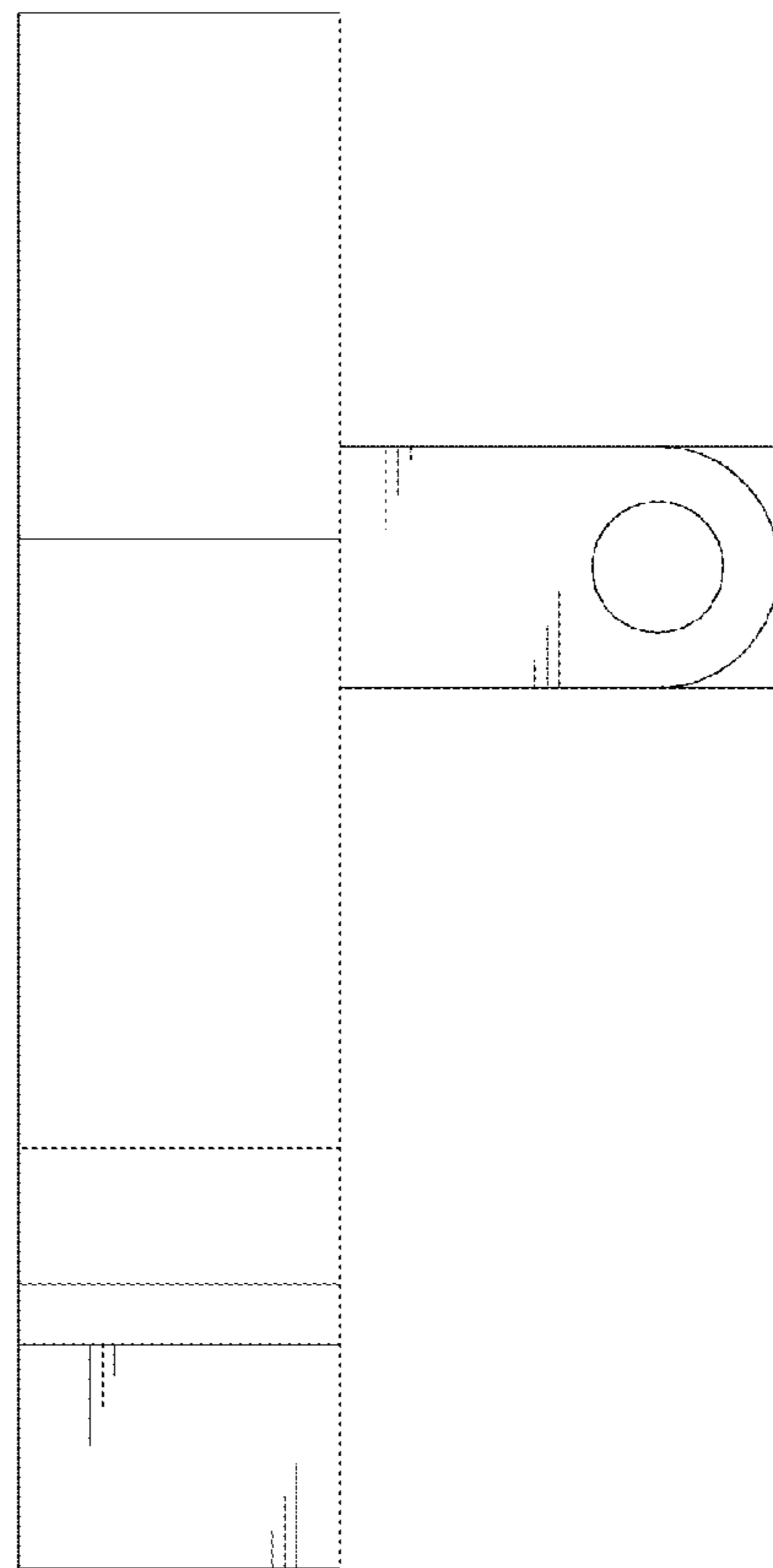


FIG. 7

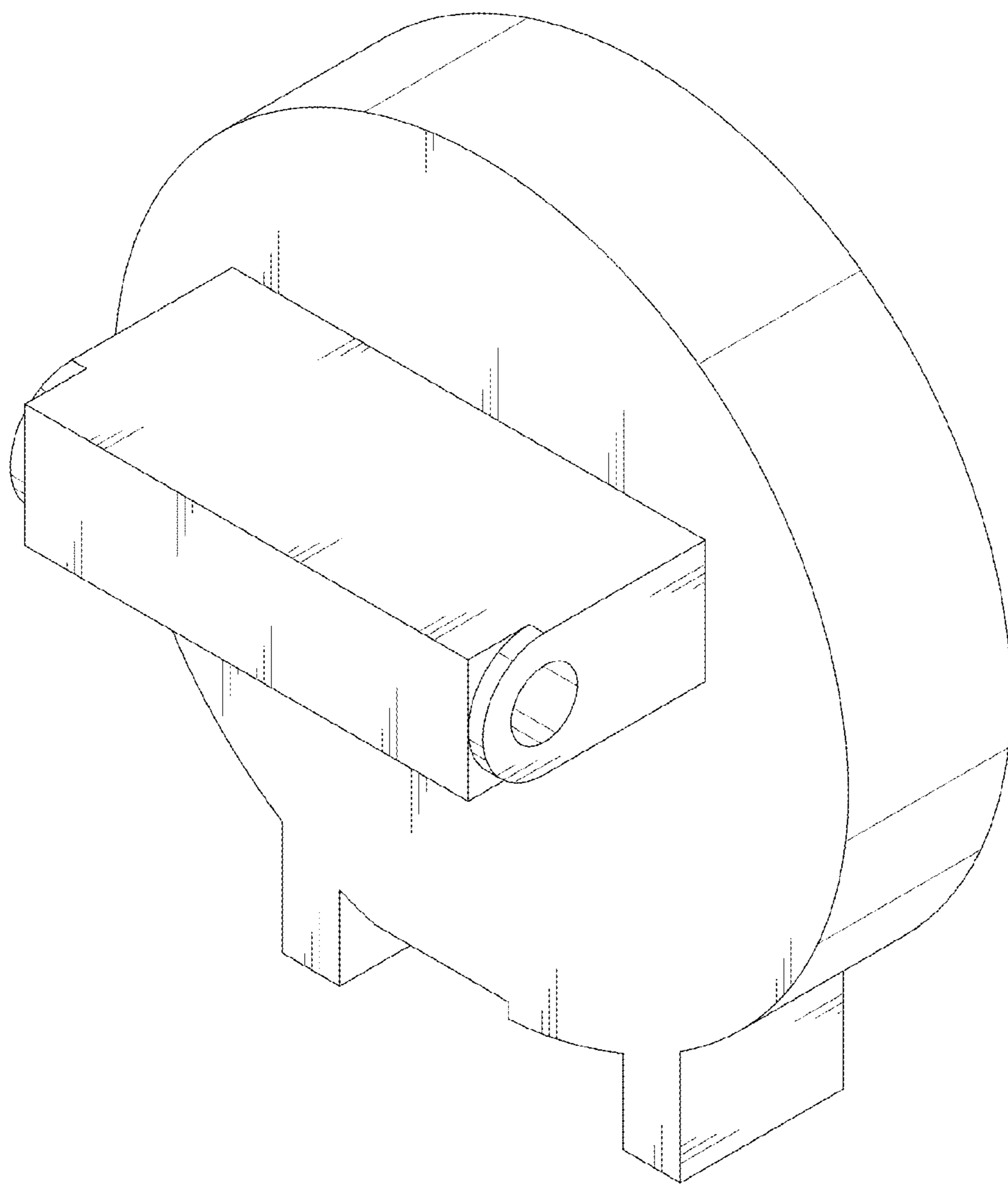


FIG. 8



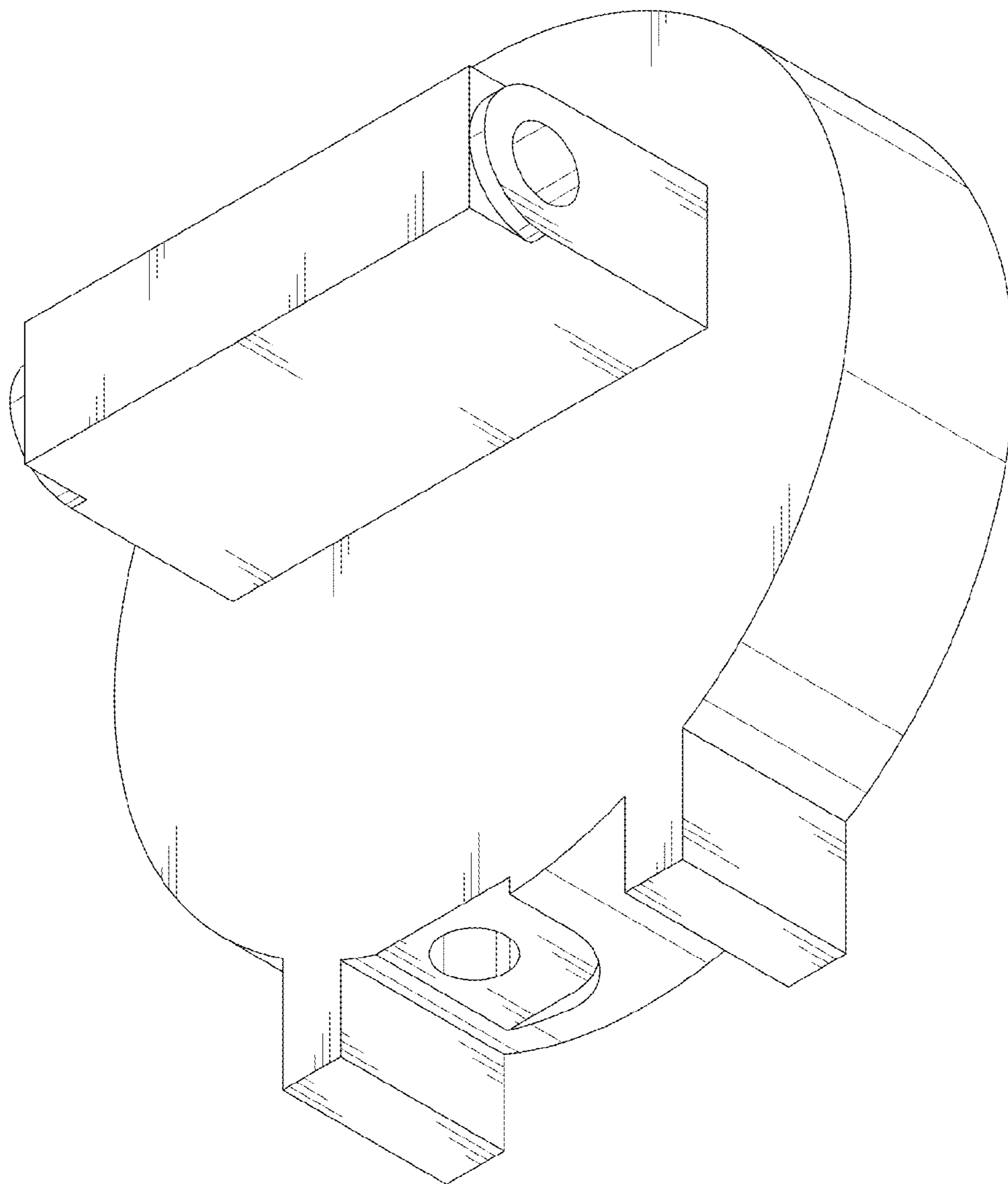


FIG. 9

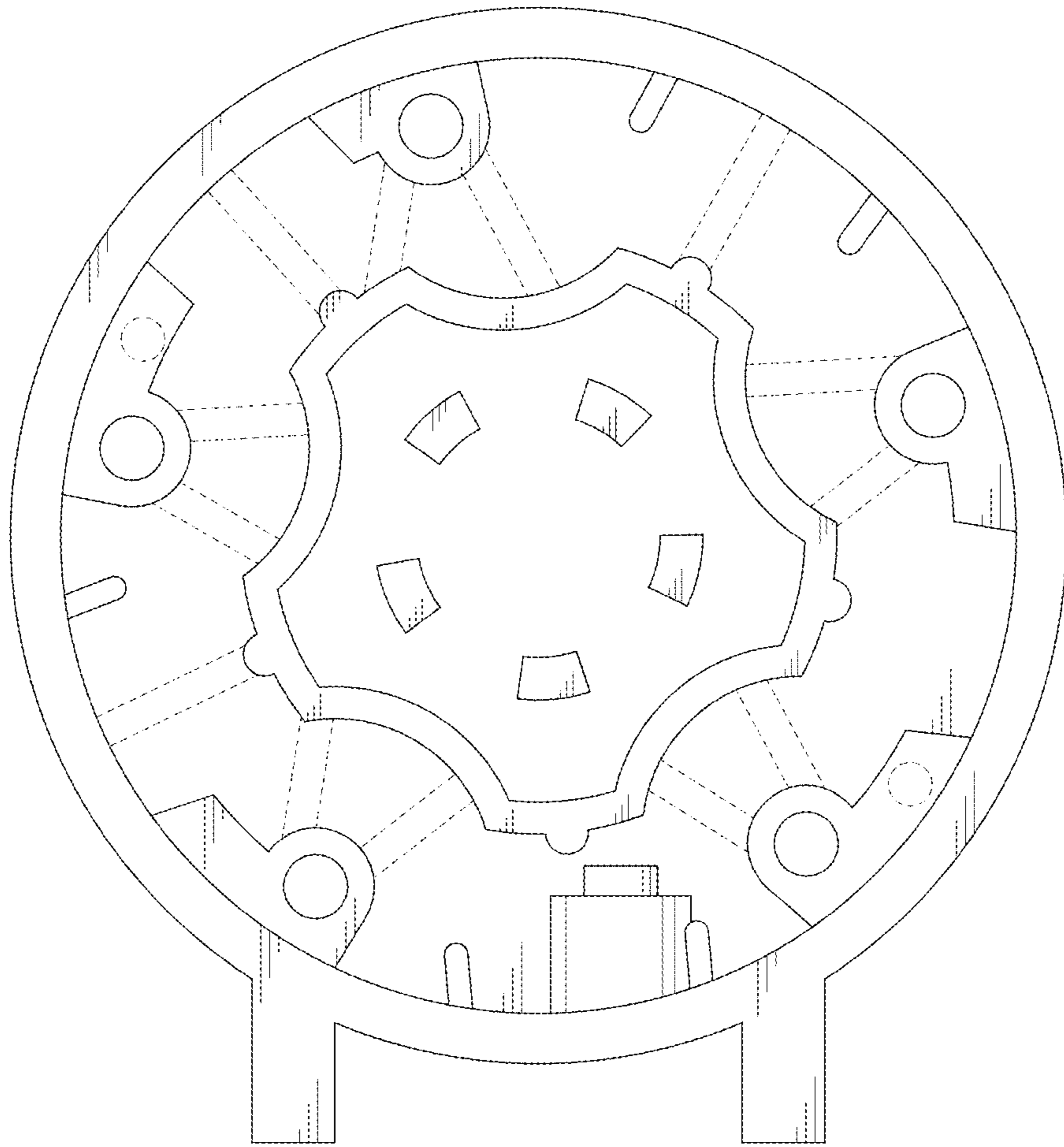


FIG. 10

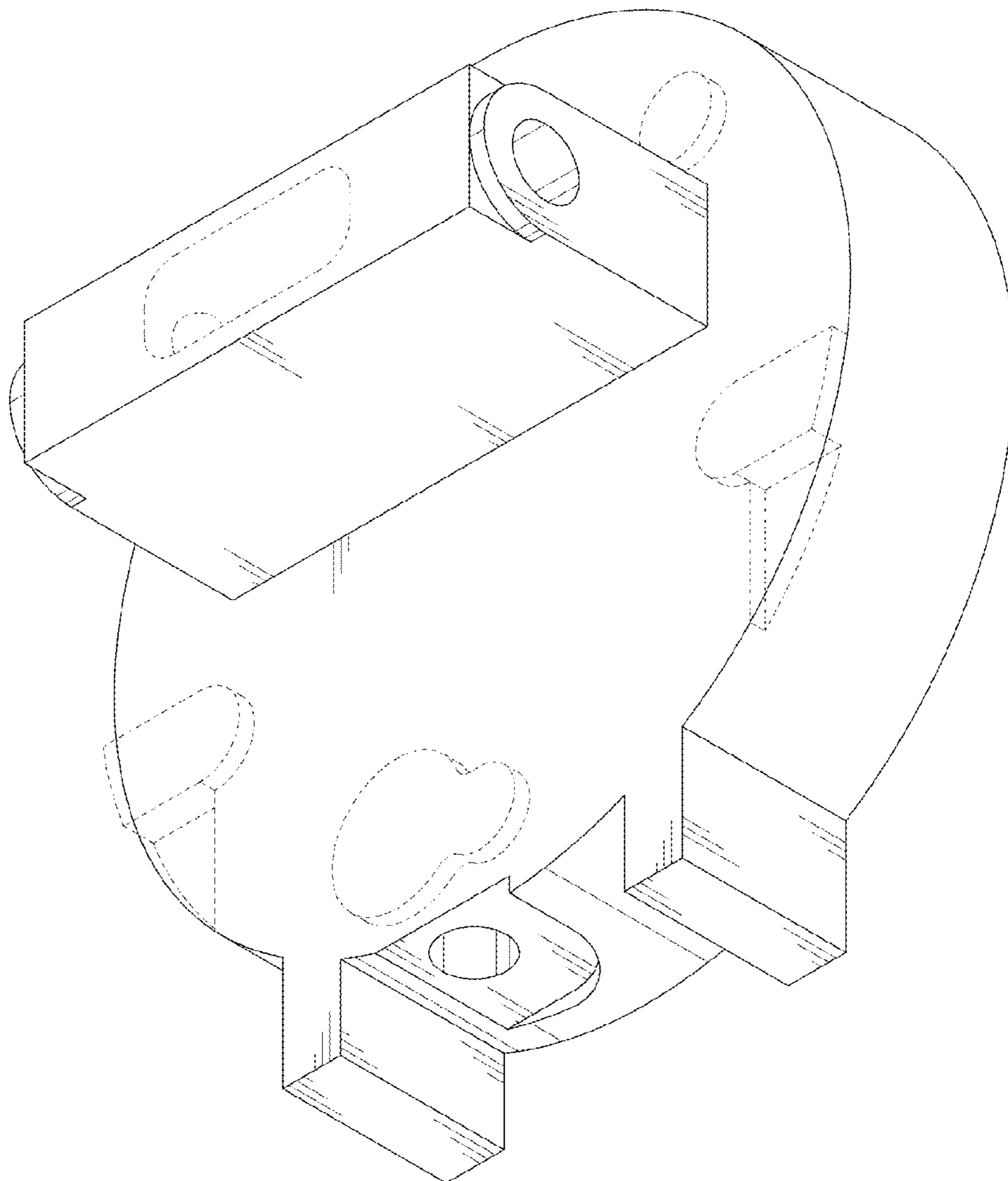


FIG. 11