



US00D710393S

(12) **United States Design Patent**
Chu

(10) **Patent No.:** **US D710,393 S**
(45) **Date of Patent:** **** Aug. 5, 2014**

- (54) **CAP FOR AIR COMPRESSOR**
- (71) Applicant: **Henry C. Chu**, Orange, CA (US)
- (72) Inventor: **Henry C. Chu**, Orange, CA (US)
- (**) Term: **14 Years**
- (21) Appl. No.: **29/480,082**
- (22) Filed: **Jan. 23, 2014**
- (51) **LOC (10) Cl.** **15-02**
- (52) **U.S. Cl.**
USPC **D15/9**
- (58) **Field of Classification Search**
CPC F04B 39/00; F04B 1/12; F04B 11/00;
F04B 39/12; F01N 7/10
USPC D15/7-9; D23/231, 232, 225; 417/60,
417/235, 265, 321, 355, 358, 363, 359,
417/410.1, 415-416, 405, 900, 312, 269;
60/408, 412; 184/26-37; 415/140-147;
123/495, 509
See application file for complete search history.

(56) **References Cited**

U.S. PATENT DOCUMENTS

4,880,361	A *	11/1989	Ikeda et al.	417/269
4,930,995	A *	6/1990	Suzuki et al.	417/312
5,236,312	A *	8/1993	Finn et al.	417/269
5,607,287	A *	3/1997	Ikeda et al.	417/269
5,842,836	A *	12/1998	Tarutani et al.	417/269
6,705,843	B1 *	3/2004	Kuo	417/312
D507,280	S *	7/2005	Chu et al.	D15/9
D529,050	S *	9/2006	Chu	D15/9
D529,927	S *	10/2006	Chu	D15/9
D529,928	S *	10/2006	Chu	D15/9
D529,930	S *	10/2006	Chu	D15/9
D533,881	S *	12/2006	Chu	D15/9
D554,666	S *	11/2007	Chu	D15/9
D554,667	S *	11/2007	Chu	D15/9
D555,174	S *	11/2007	Hwang	D15/9
D555,670	S *	11/2007	Hwang	D15/9

D556,783	S *	12/2007	Chu	D15/9
D557,287	S *	12/2007	Chu	D15/9
D574,854	S *	8/2008	Chu	D15/9
D574,855	S *	8/2008	Chu	D15/9
D575,306	S *	8/2008	Chu	D15/9
D575,307	S *	8/2008	Chu	D15/9
D575,802	S *	8/2008	Chu	D15/9
7,494,328	B2 *	2/2009	Bhatia et al.	417/312
D589,064	S *	3/2009	Chu	D15/9
D589,534	S *	3/2009	Chu	D15/9
D603,873	S *	11/2009	Chu	D15/9
D603,874	S *	11/2009	Chu	D15/9

(Continued)

Primary Examiner — Ralf Seifert

(74) *Attorney, Agent, or Firm* — Charles E. Baxley

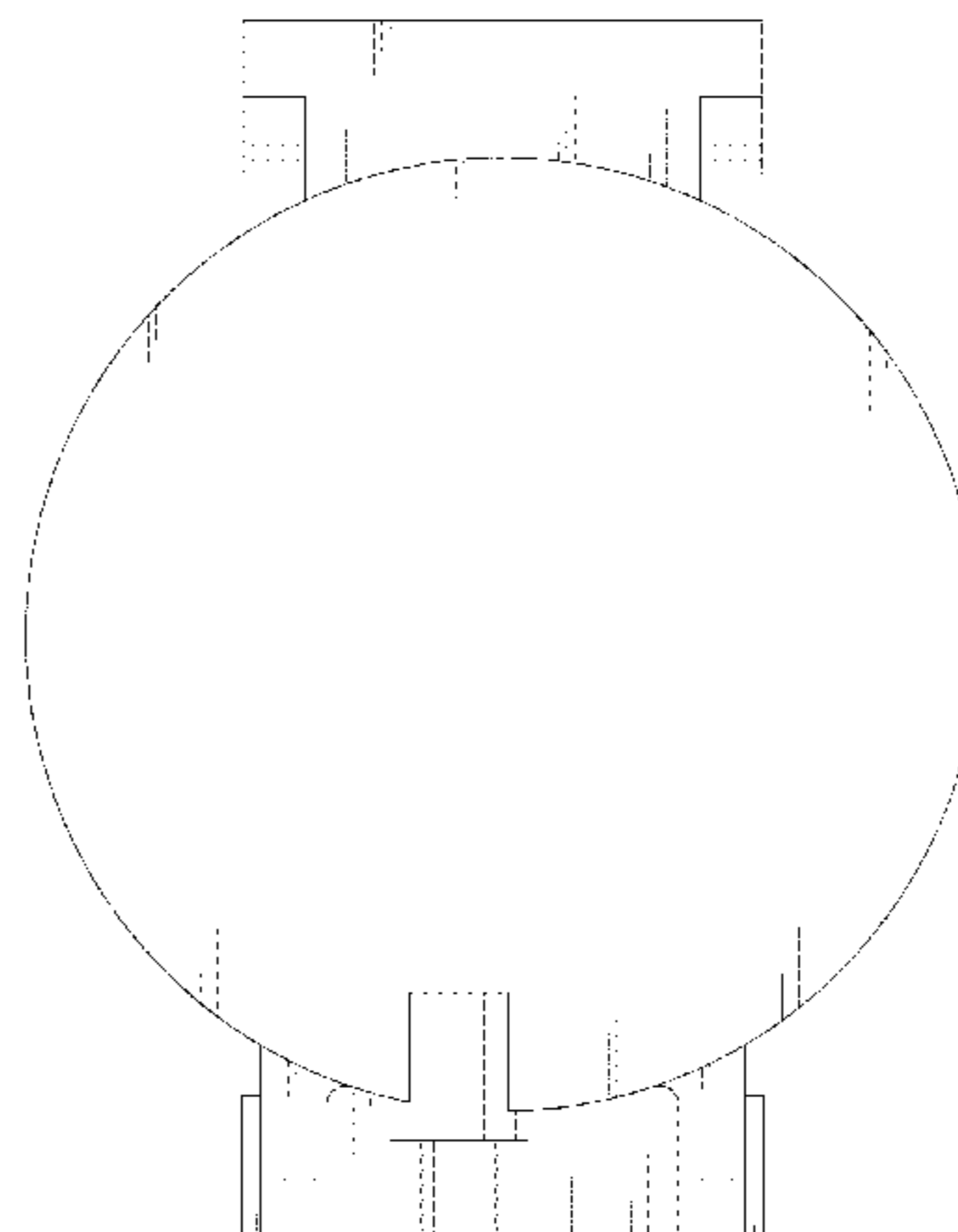
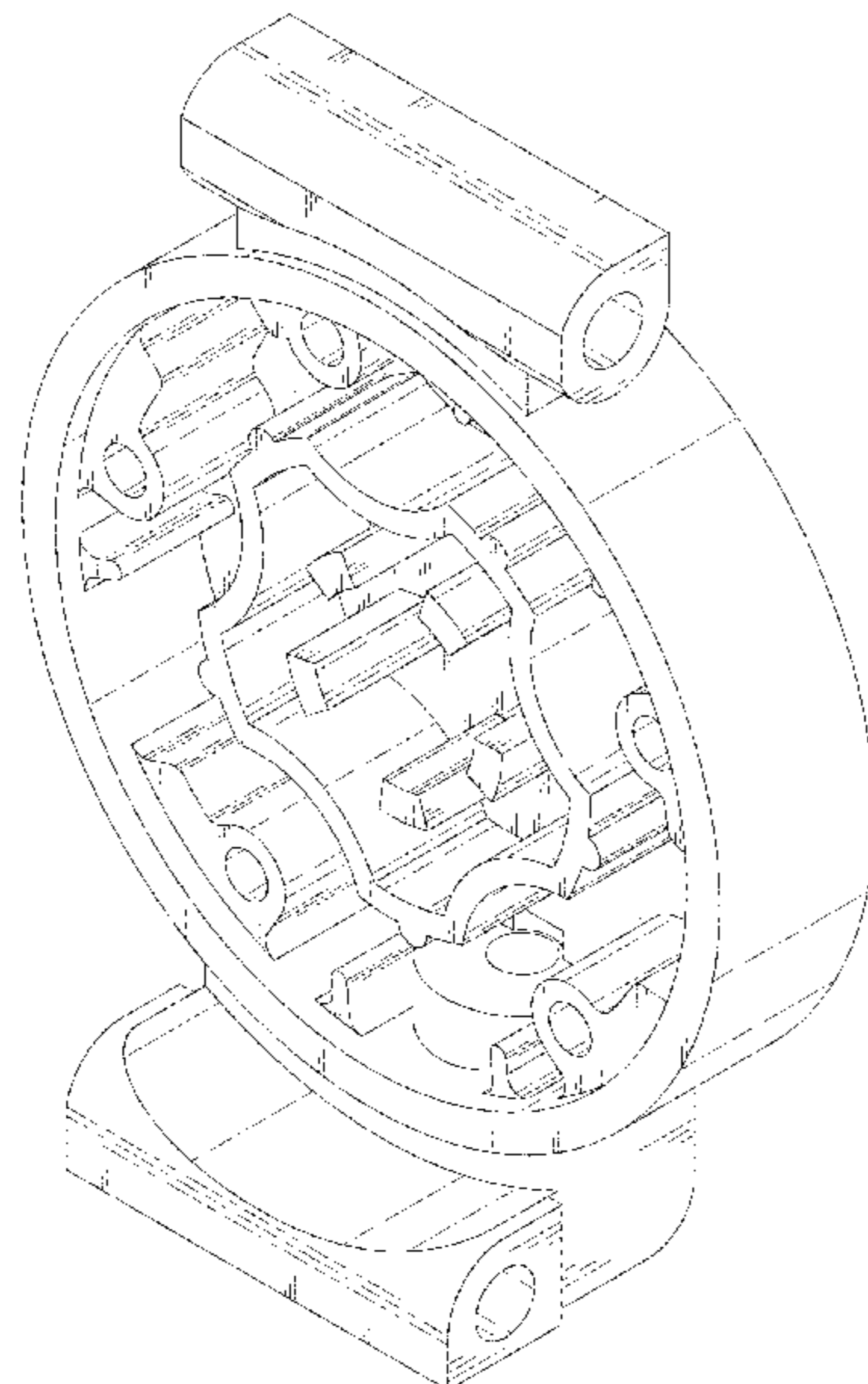
(57) **CLAIM**

The ornamental design for a cap for air compressor, as shown and described.

DESCRIPTION

FIG. 1 is a front perspective view of a cap for air compressor showing my new design;
 FIG. 2 is a front elevational view thereof;
 FIG. 3 is a rear elevational view thereof;
 FIG. 4 is a top plan view thereof;
 FIG. 5 is a bottom plan view thereof;
 FIG. 6 is a left side elevational view thereof;
 FIG. 7 is a right side elevational view thereof;
 FIG. 8 is a rear and upper perspective view thereof;
 FIG. 9 is a rear and bottom perspective view thereof; and,
 FIG. 10 is a front elevational view thereof, the openings and the ribs depicted by means of broken lines being for illustrative purposes only and forming no part of the claimed design;
 and,
 FIG. 11 is a rear and bottom perspective view thereof, the openings and the ribs depicted by means of broken lines being for illustrative purposes only and forming no part of the claimed design.

1 Claim, 9 Drawing Sheets



(56)

References Cited

U.S. PATENT DOCUMENTS

D603,875 S	*	11/2009	Chu	D15/9
D617,349 S	*	6/2010	Chu	D15/9
D647,925 S	*	11/2011	Chu	D15/9
D648,749 S	*	11/2011	Chu	D15/9
D648,751 S	*	11/2011	Chu	D15/9
D648,752 S	*	11/2011	Chu	D15/9
D648,753 S	*	11/2011	Chu	D15/9
D656,963 S	*	4/2012	Nam	D15/7
D666,218 S	*	8/2012	Chu	D15/9
D666,219 S	*	8/2012	Chu	D15/9
D678,916 S	*	3/2013	Chu	D15/9
D694,272 S	*	11/2013	Chu	D15/9

* cited by examiner

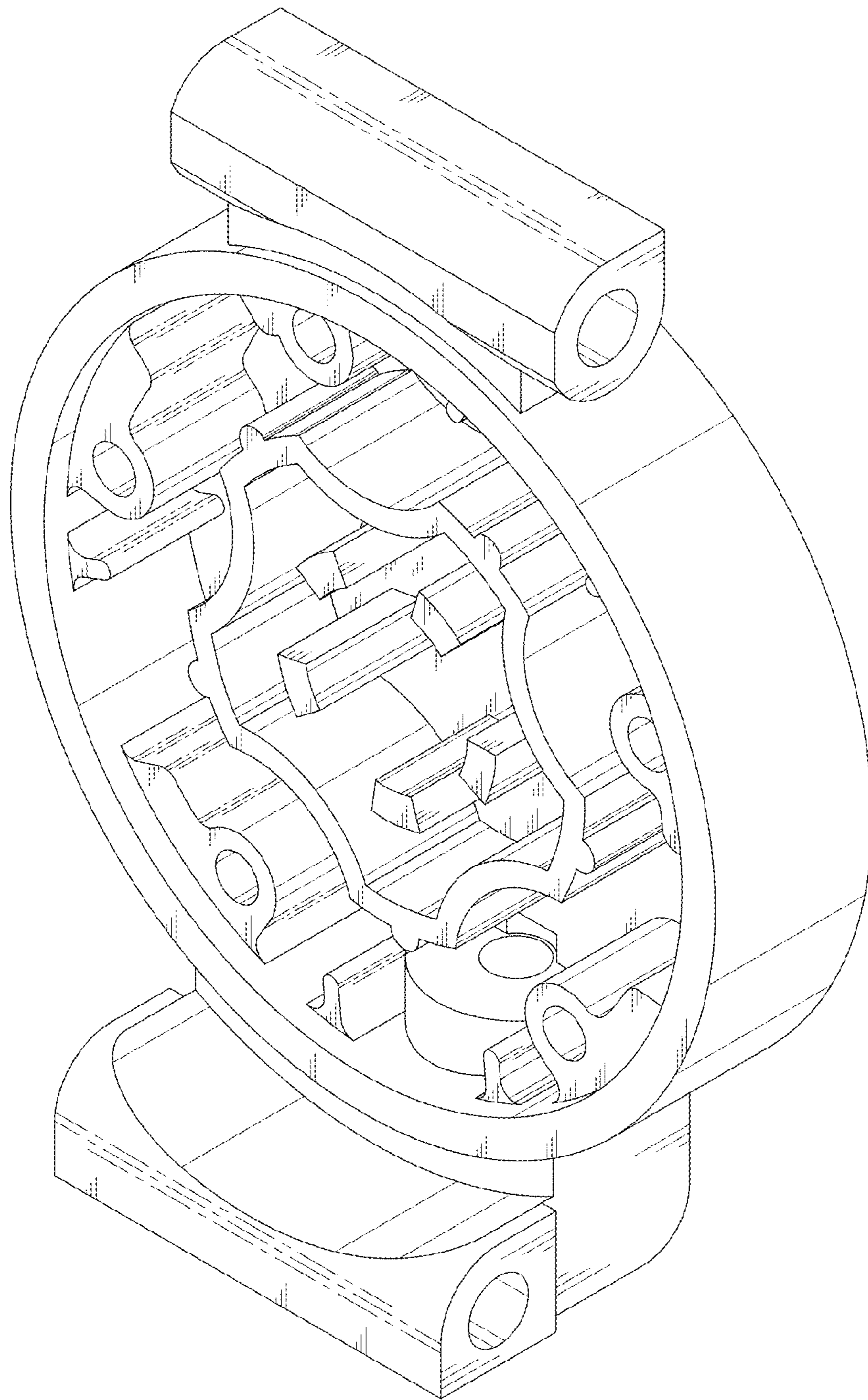


FIG. 1

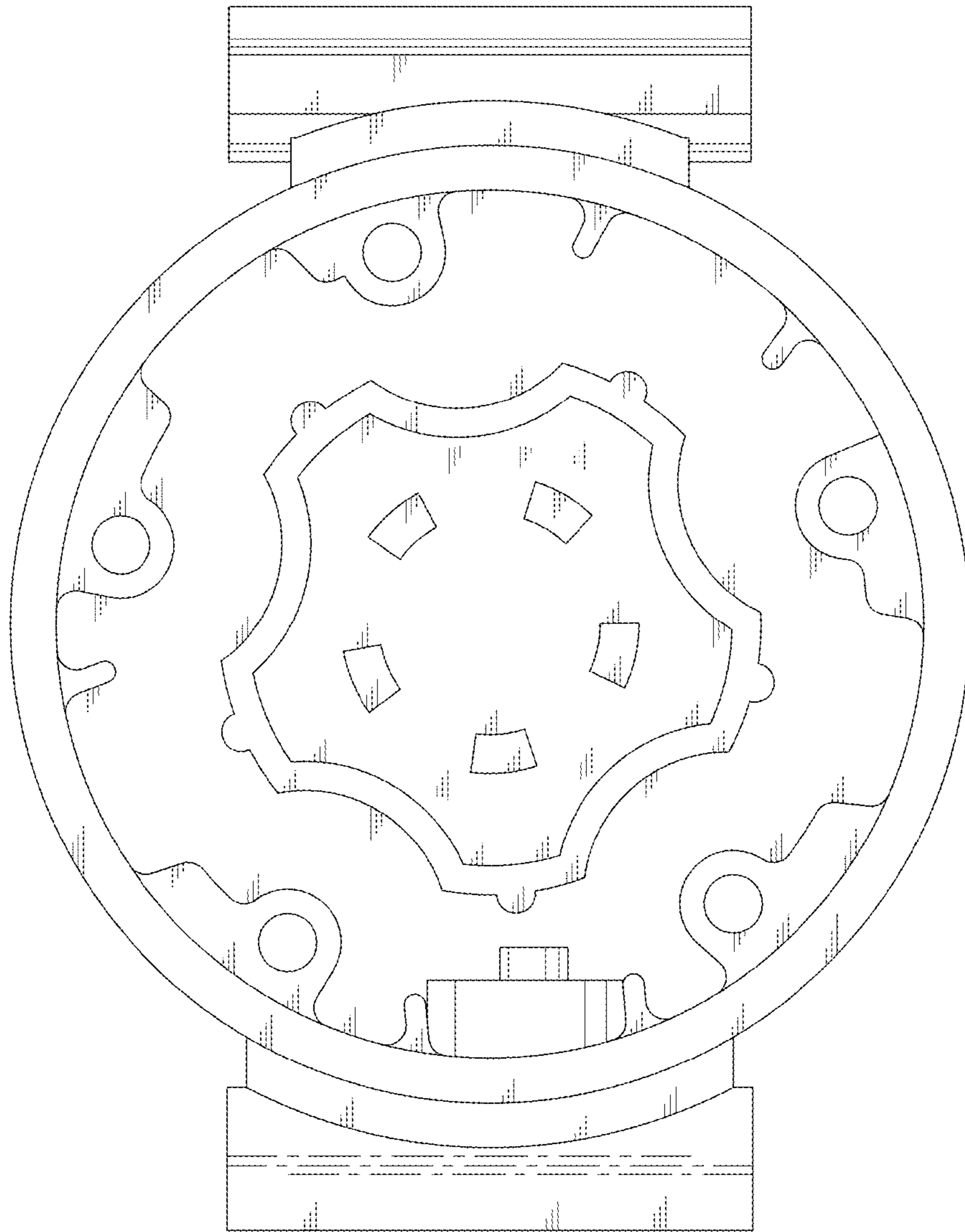


FIG. 2

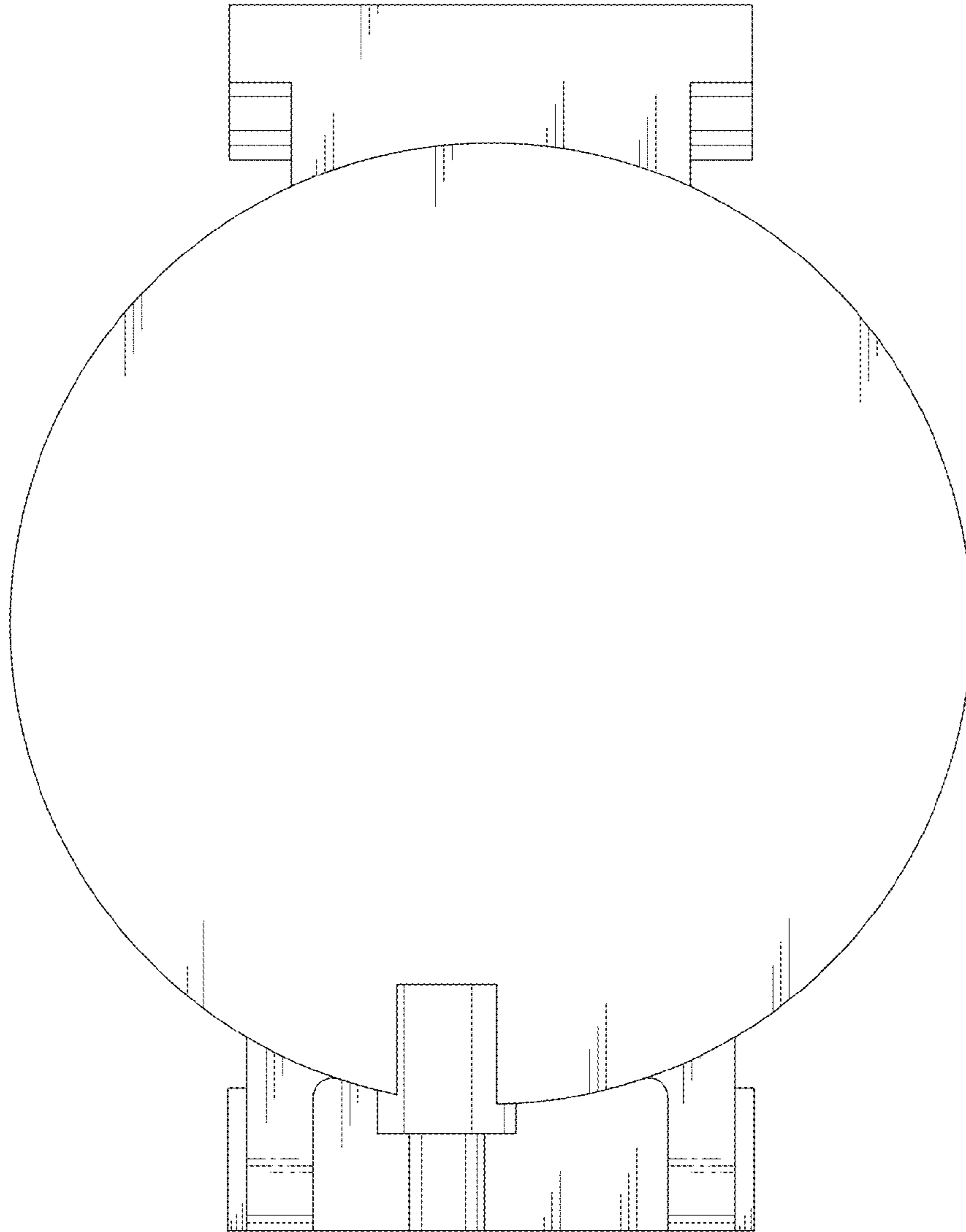


FIG. 3

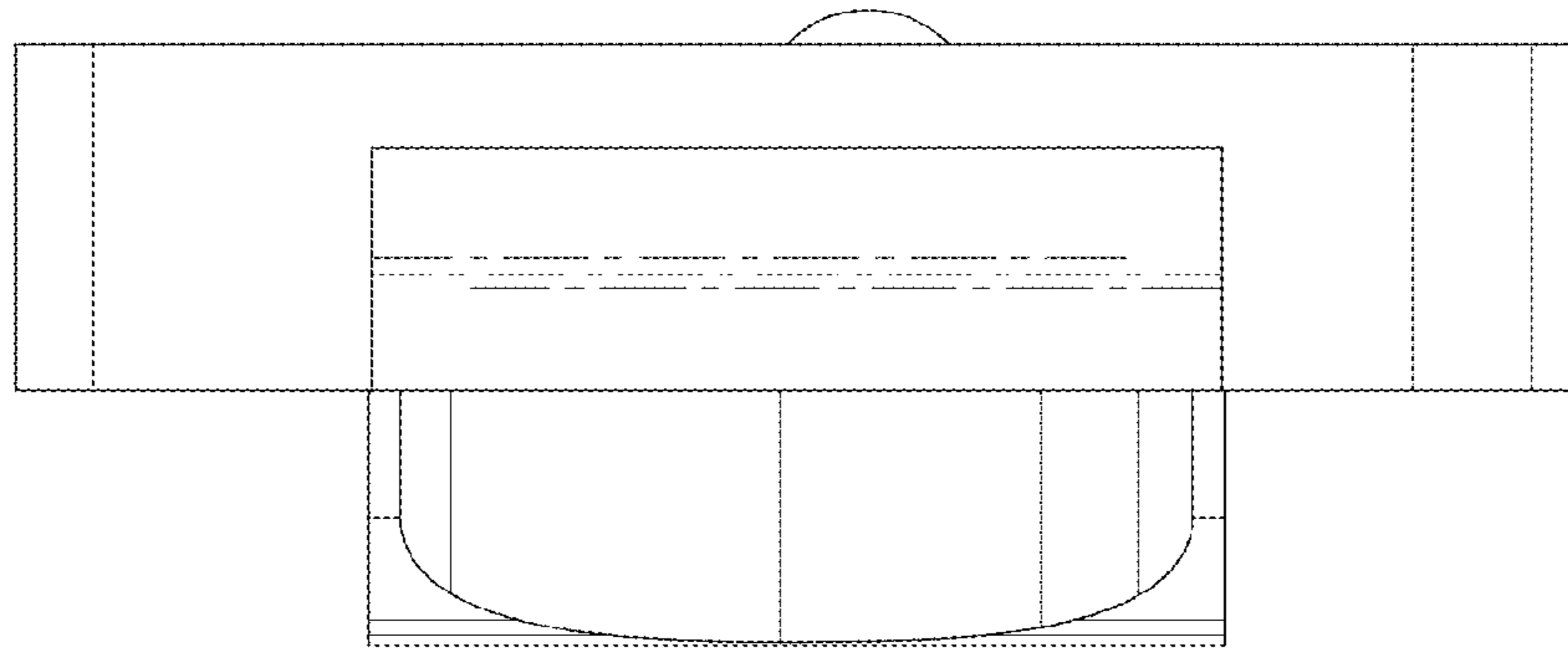


FIG. 4

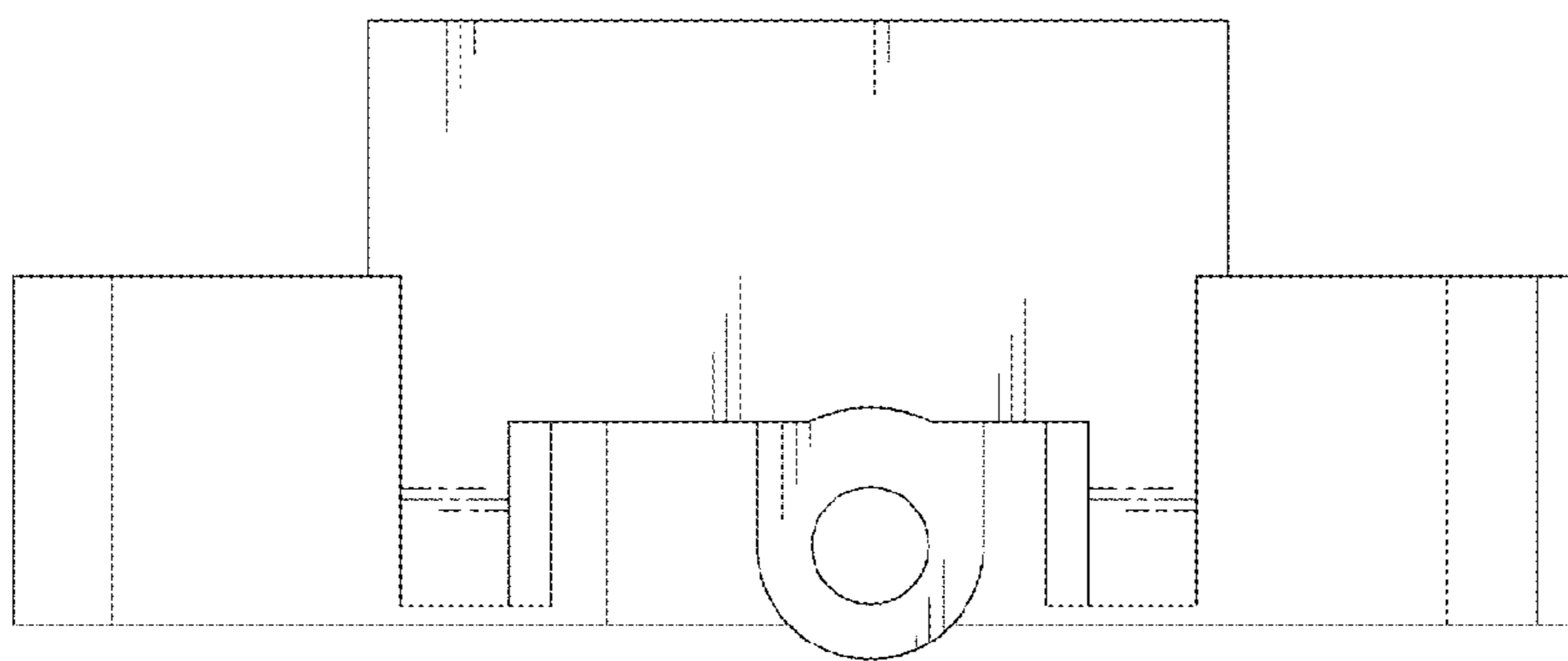


FIG. 5

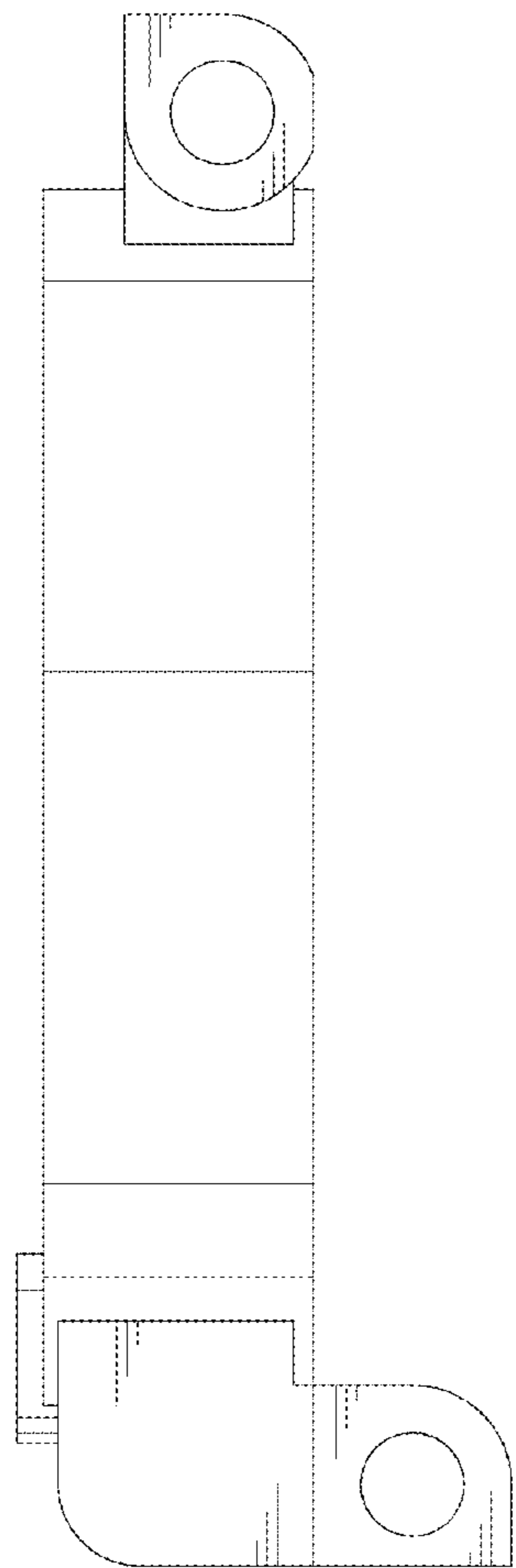


FIG. 6

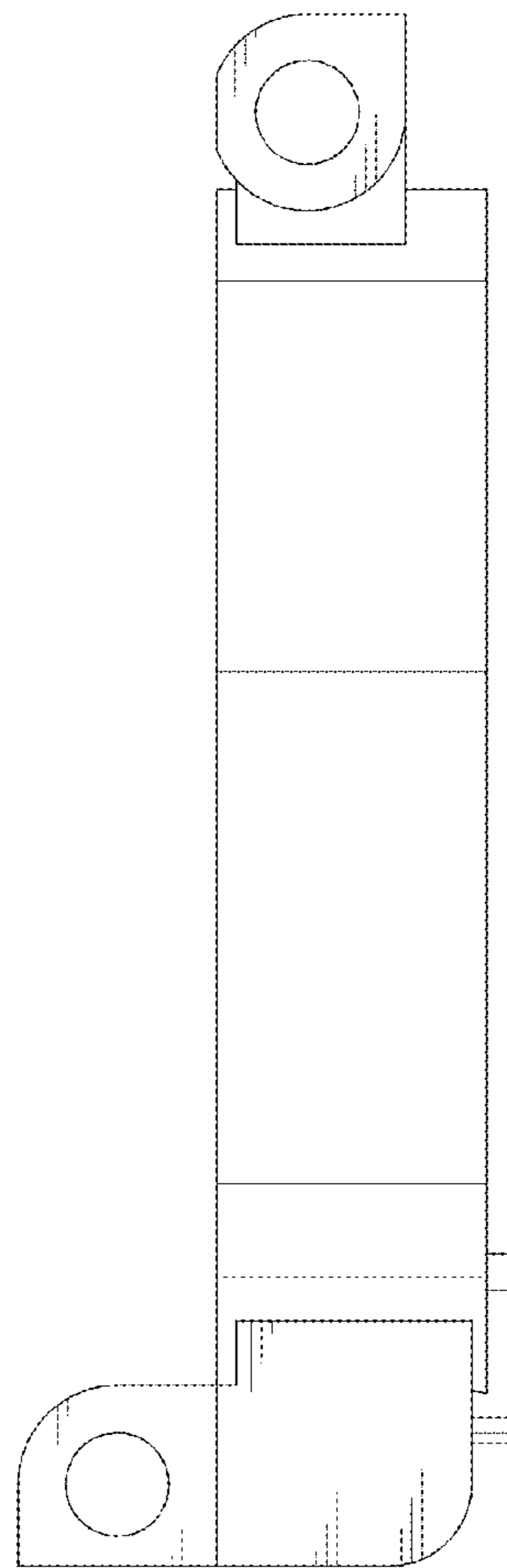


FIG. 7

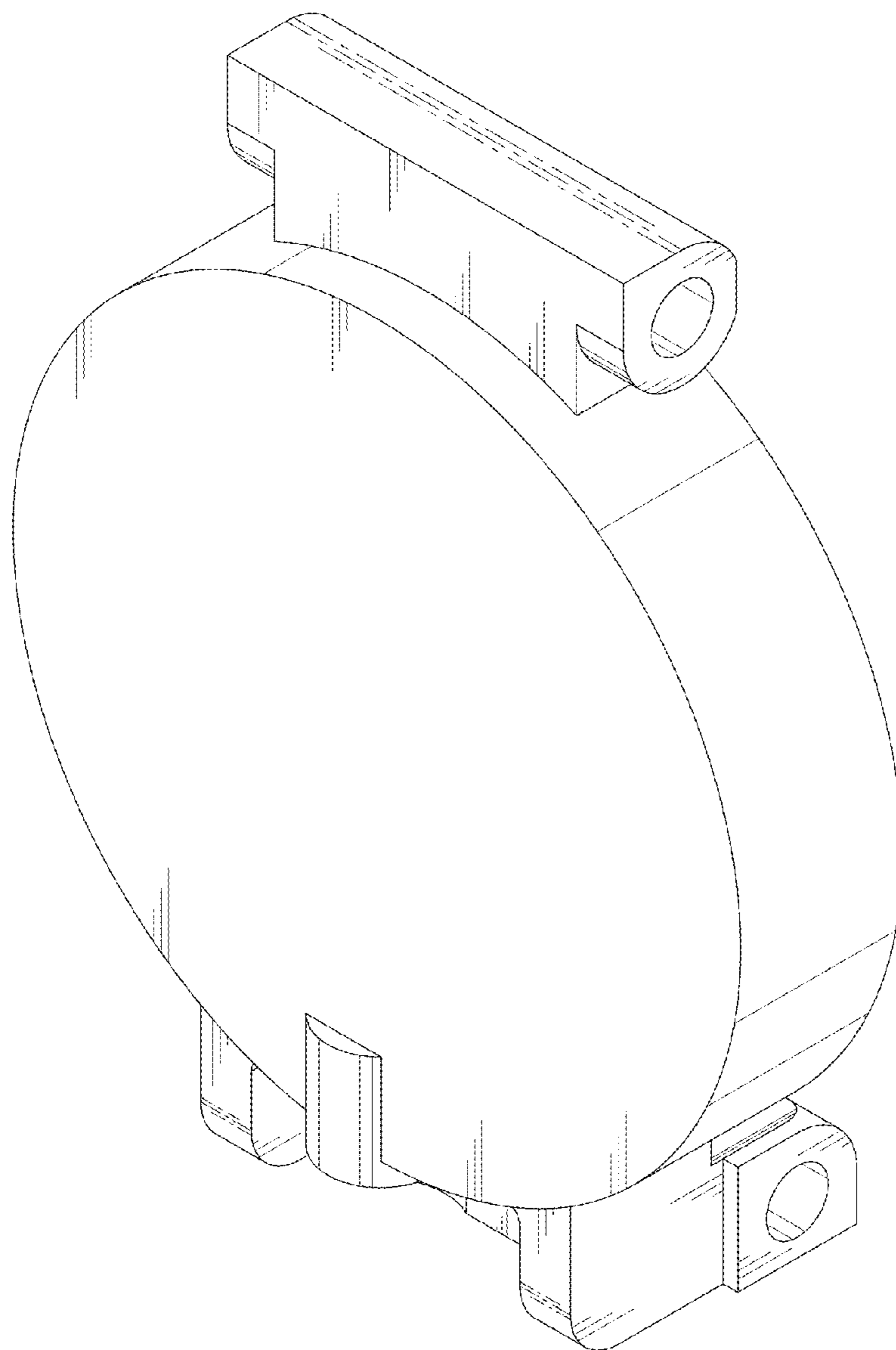


FIG. 8

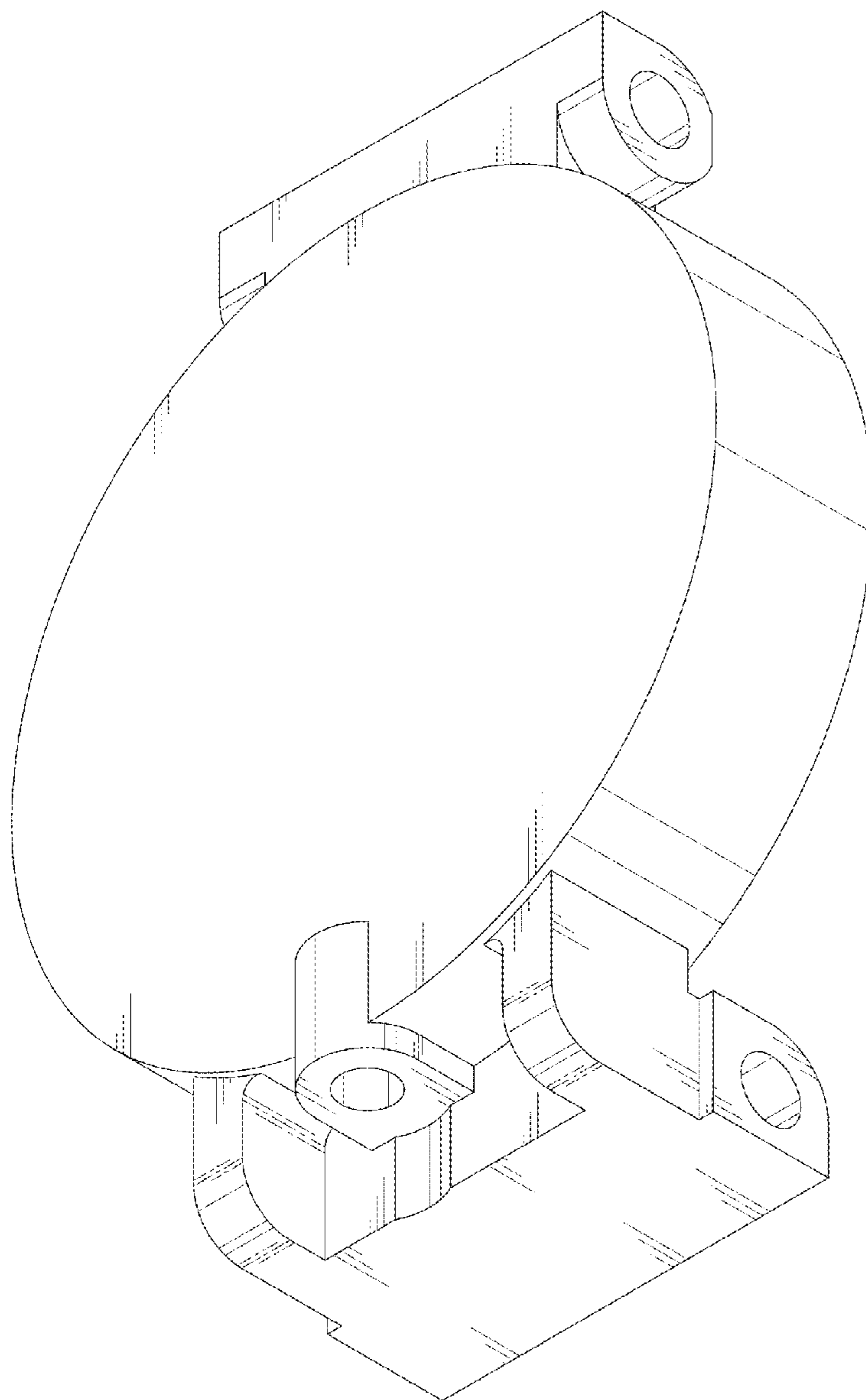


FIG. 9

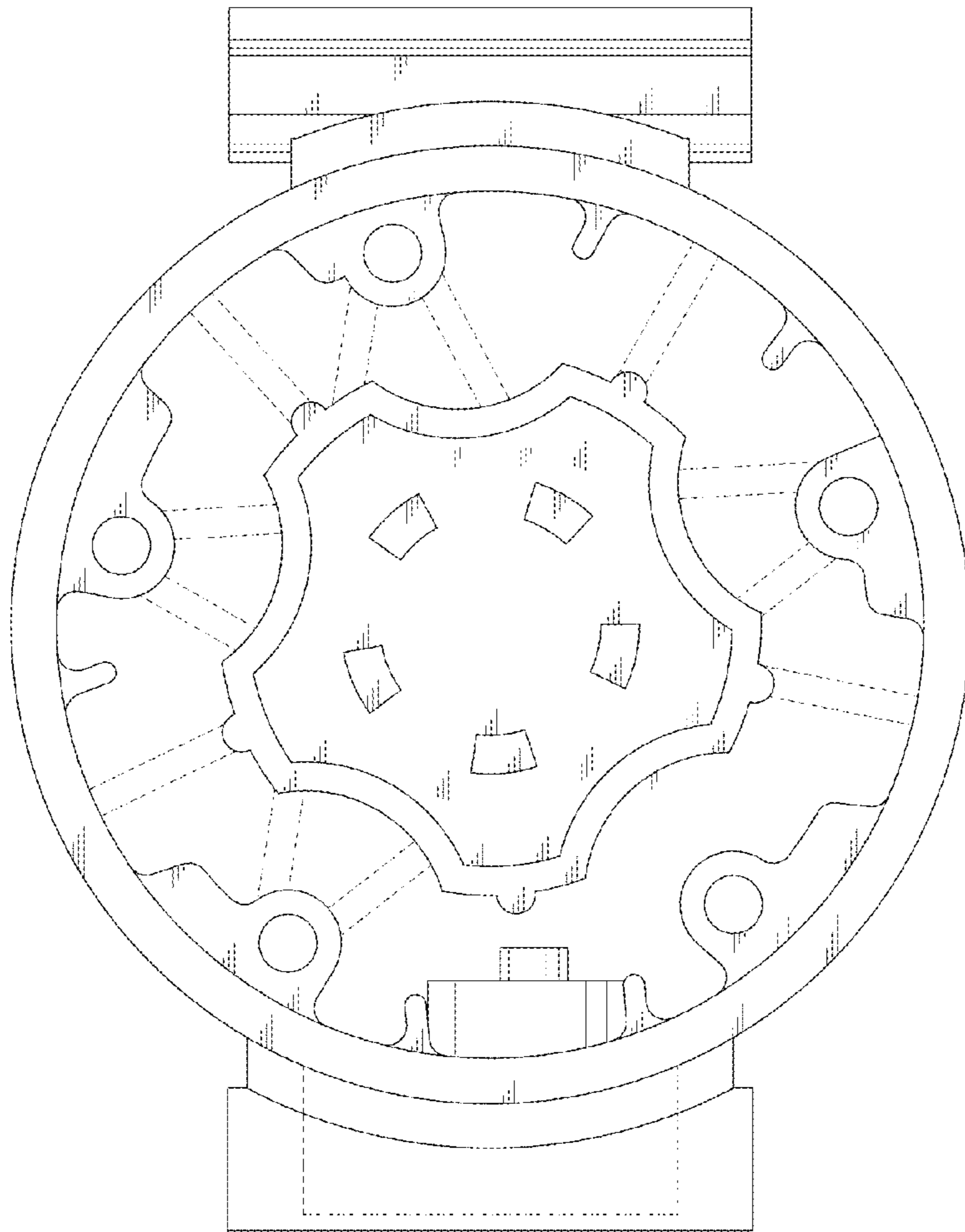


FIG. 10

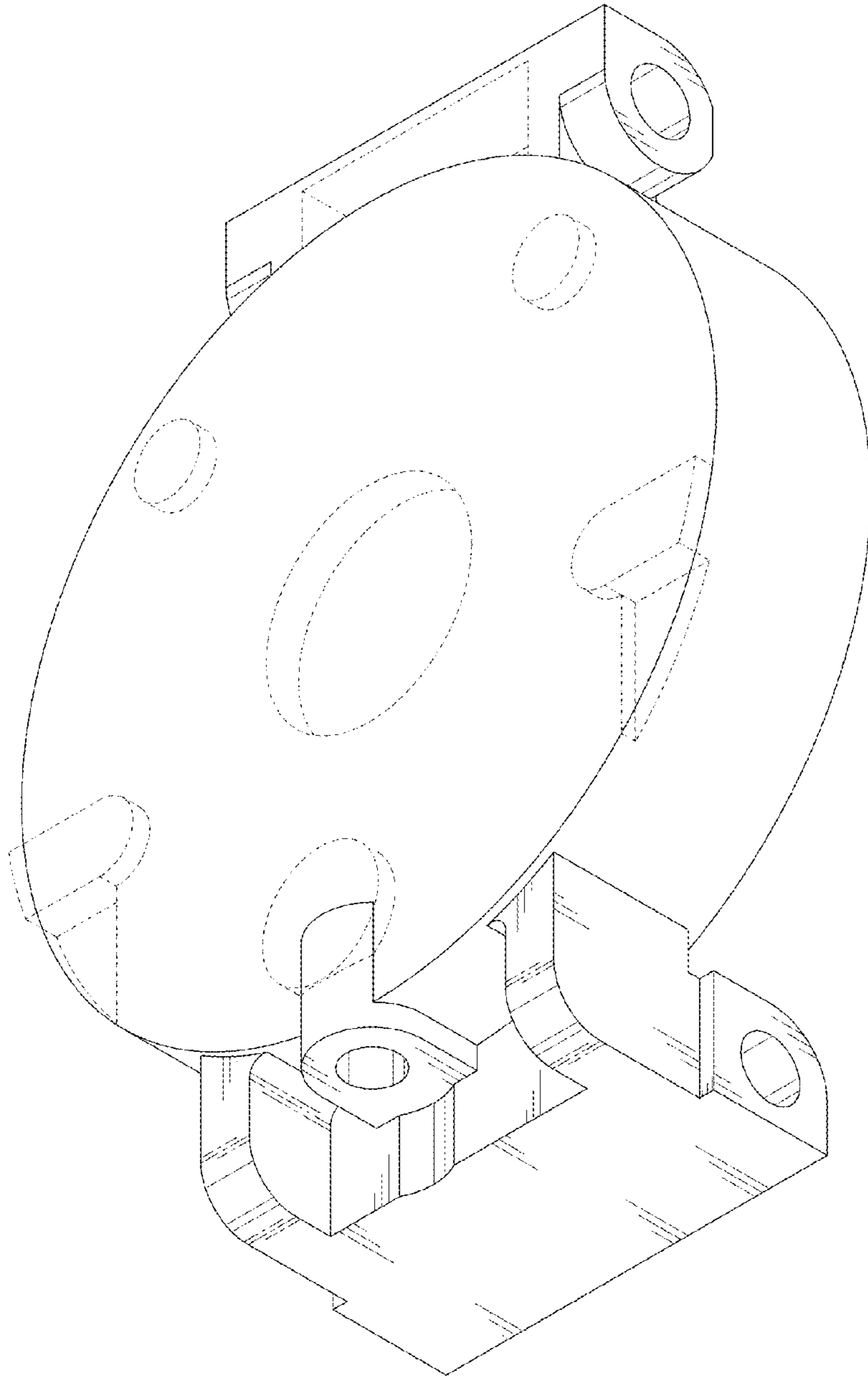


FIG. 11