



US00D710391S

(12) **United States Design Patent**
Chu

(10) **Patent No.:** **US D710,391 S**
(45) **Date of Patent:** **** Aug. 5, 2014**

(54) **CAP FOR AIR COMPRESSOR**
(71) Applicant: **Henry C. Chu**, Orange, CA (US)
(72) Inventor: **Henry C. Chu**, Orange, CA (US)
(**) Term: **14 Years**
(21) Appl. No.: **29/480,077**
(22) Filed: **Jan. 23, 2014**
(51) **LOC (10) Cl.** **15-02**
(52) **U.S. Cl.**
USPC **D15/9**
(58) **Field of Classification Search**
CPC F04B 39/00; F04B 1/12; F04B 11/00;
F04B 39/12; F01N 7/10
USPC D15/7-9; D23/231, 232, 225; 417/60,
417/235, 265, 321, 355, 358, 363, 359,
417/410.1, 415-416, 405, 900, 312, 269;
60/408, 412; 184/26-37; 415/140-147;
123/495, 509
See application file for complete search history.

(56) **References Cited**

U.S. PATENT DOCUMENTS

4,880,361	A *	11/1989	Ikeda et al.	417/269
4,930,995	A *	6/1990	Suzuki et al.	417/312
5,236,312	A *	8/1993	Finn et al.	417/269
5,607,287	A *	3/1997	Ikeda et al.	417/269
5,842,836	A *	12/1998	Tarutani et al.	417/269
6,705,843	B1 *	3/2004	Kuo	417/312
D507,280	S *	7/2005	Chu et al.	D15/9
D529,050	S *	9/2006	Chu	D15/9
D529,927	S *	10/2006	Chu	D15/9
D529,928	S *	10/2006	Chu	D15/9
D529,930	S *	10/2006	Chu	D15/9
D533,881	S *	12/2006	Chu	D15/9
D554,666	S *	11/2007	Chu	D15/9
D554,667	S *	11/2007	Chu	D15/9
D555,174	S *	11/2007	Hwang	D15/9
D555,670	S *	11/2007	Hwang	D15/9

D556,783	S *	12/2007	Chu	D15/9
D557,287	S *	12/2007	Chu	D15/9
D574,854	S *	8/2008	Chu	D15/9
D574,855	S *	8/2008	Chu	D15/9
D575,306	S *	8/2008	Chu	D15/9
D575,307	S *	8/2008	Chu	D15/9
D575,802	S *	8/2008	Chu	D15/9
7,494,328	B2 *	2/2009	Bhatia et al.	417/312
D589,064	S *	3/2009	Chu	D15/9
D589,534	S *	3/2009	Chu	D15/9
D603,873	S *	11/2009	Chu	D15/9
D603,874	S *	11/2009	Chu	D15/9
D603,875	S *	11/2009	Chu	D15/9
D617,349	S *	6/2010	Chu	D15/9

(Continued)

Primary Examiner — Ralf Seifert

(74) *Attorney, Agent, or Firm* — Charles E. Baxley

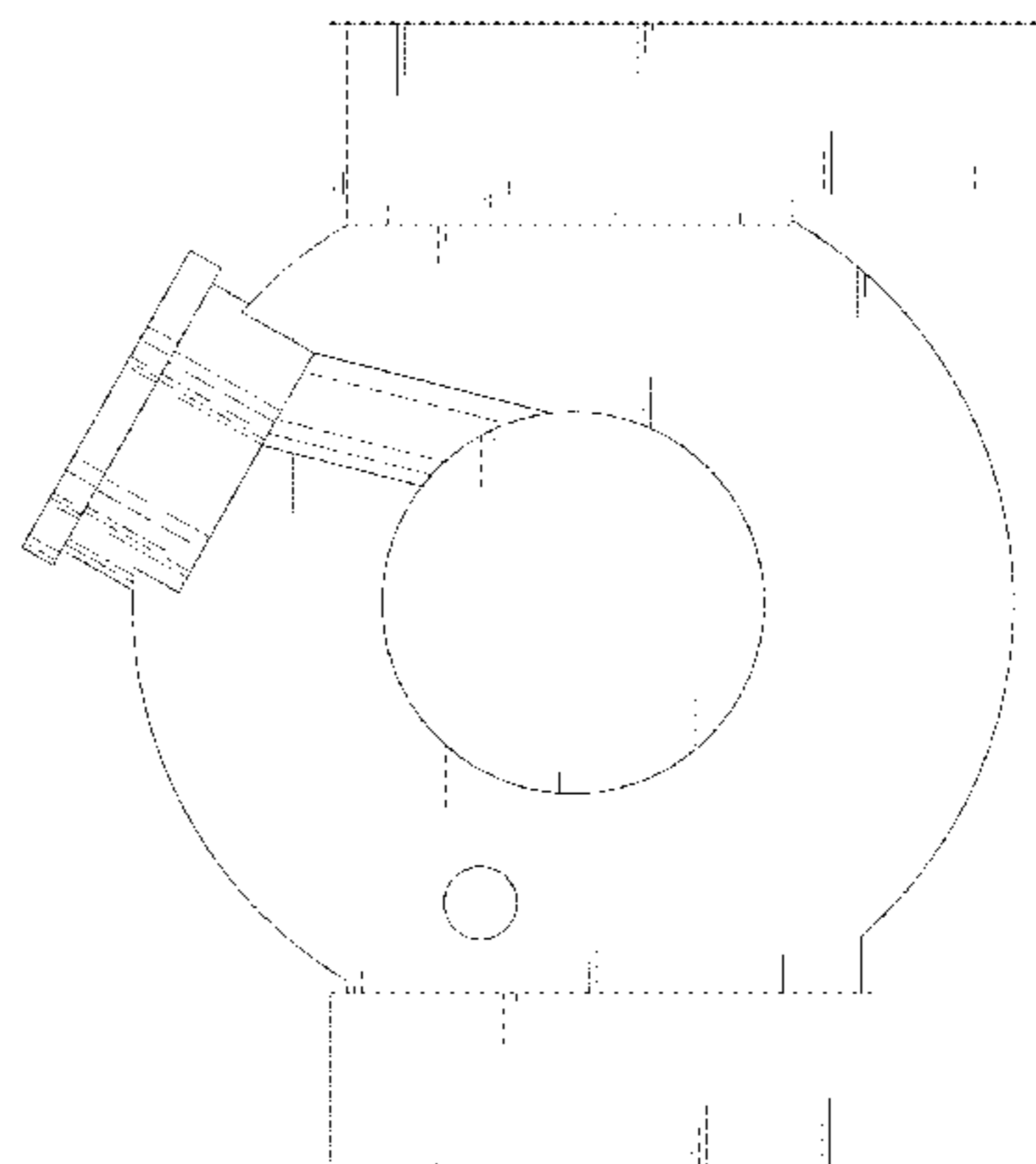
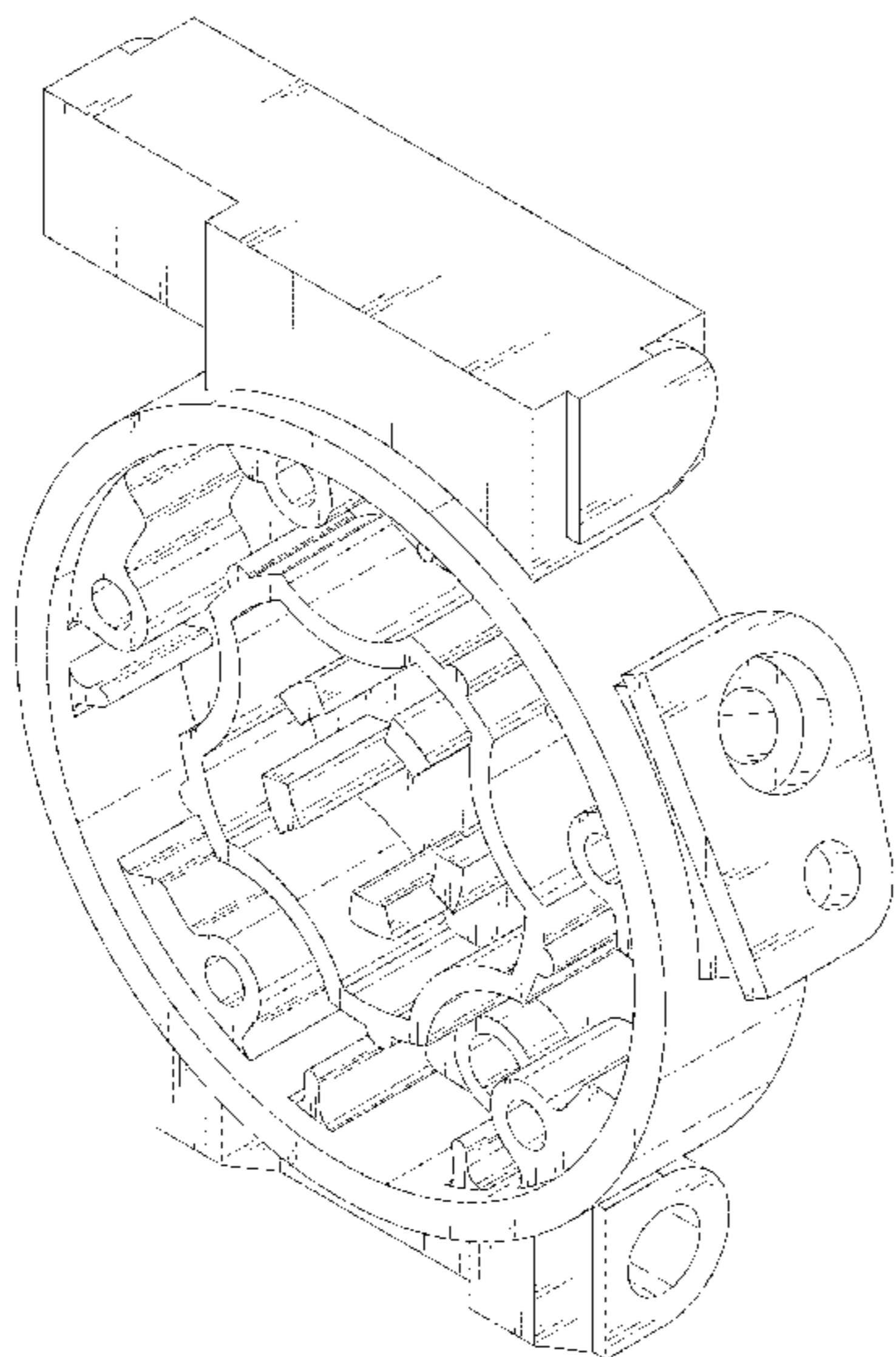
(57) **CLAIM**

The ornamental design for a cap for air compressor, as shown and described.

DESCRIPTION

FIG. 1 is a front and upper perspective view of a cap for air compressor showing my new design; FIG. 2 is a front elevational view thereof; FIG. 3 is a rear elevational view thereof; FIG. 4 is a top plan view thereof; FIG. 5 is a bottom plan view thereof; FIG. 6 is a left side elevational view thereof; FIG. 7 is a right side elevational view thereof; FIG. 8 is a rear perspective view thereof; FIG. 9 is a front and upper perspective view thereof, the protrusions and the bulges depicted by means of broken lines being for illustrative purposes only and forming no part of the claimed design; and, FIG. 10 is a rear perspective view thereof, the openings and the protrusions and the bulges depicted by means of broken lines being for illustrative purposes only and forming no part of the claimed design.

1 Claim, 8 Drawing Sheets



(56)

References Cited

U.S. PATENT DOCUMENTS

D647,925 S * 11/2011 Chu D15/9
D648,749 S * 11/2011 Chu D15/9
D648,751 S * 11/2011 Chu D15/9
D648,752 S * 11/2011 Chu D15/9

D648,753 S * 11/2011 Chu D15/9
D656,963 S * 4/2012 Nam D15/7
D666,218 S * 8/2012 Chu D15/9
D666,219 S * 8/2012 Chu D15/9
D678,916 S * 3/2013 Chu D15/9
D694,272 S * 11/2013 Chu D15/9

* cited by examiner

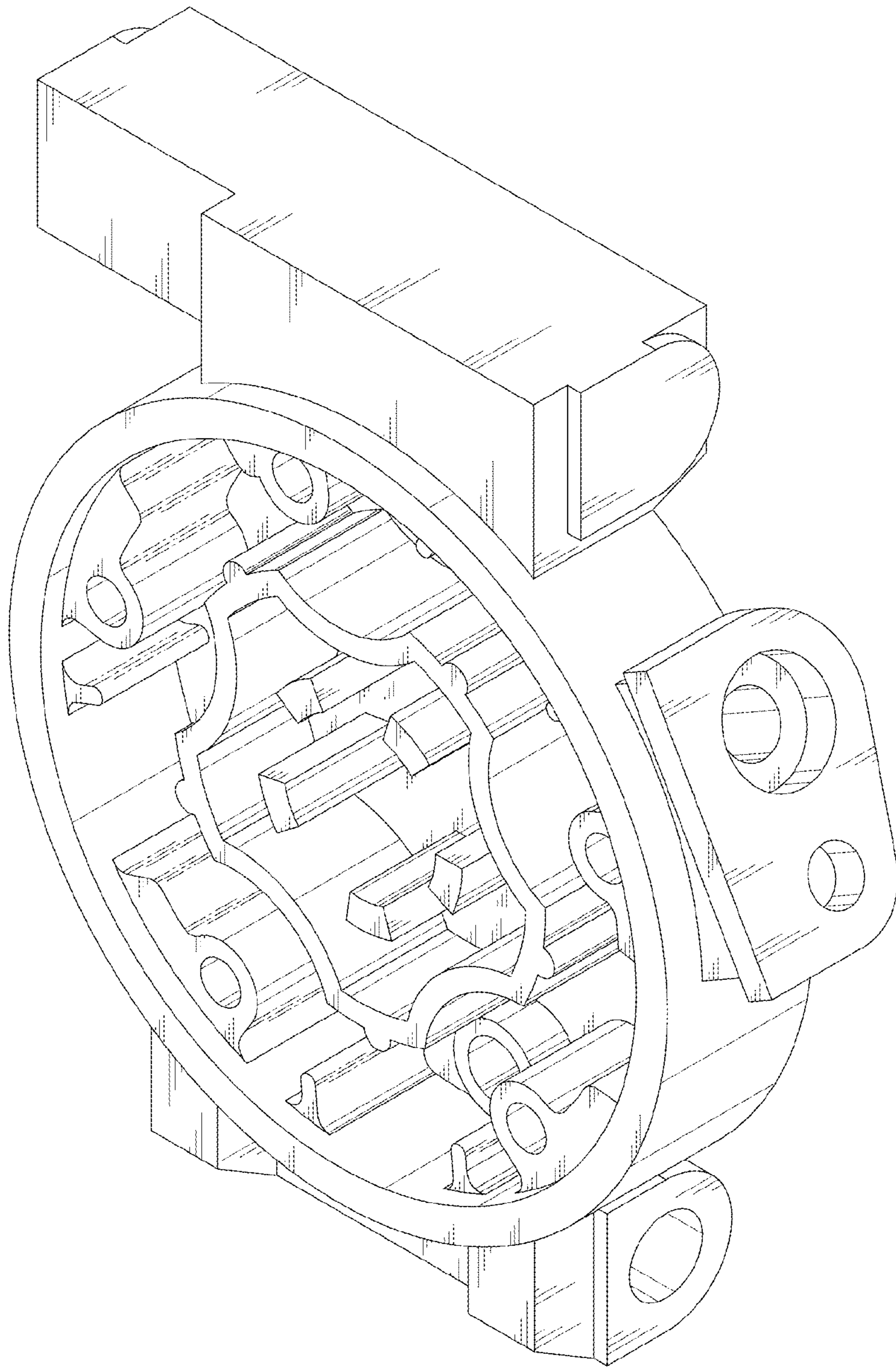


FIG. 1

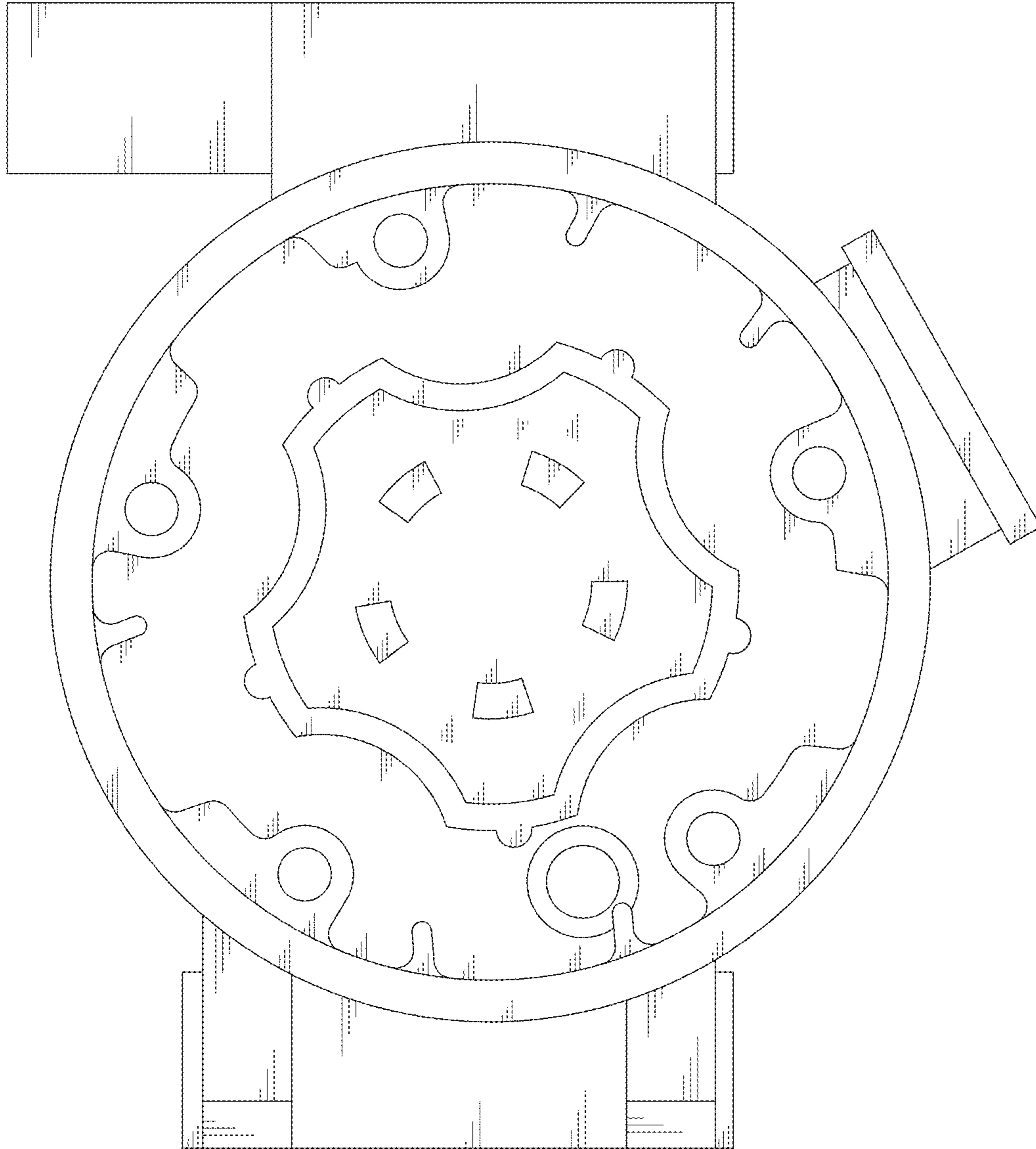


FIG. 2

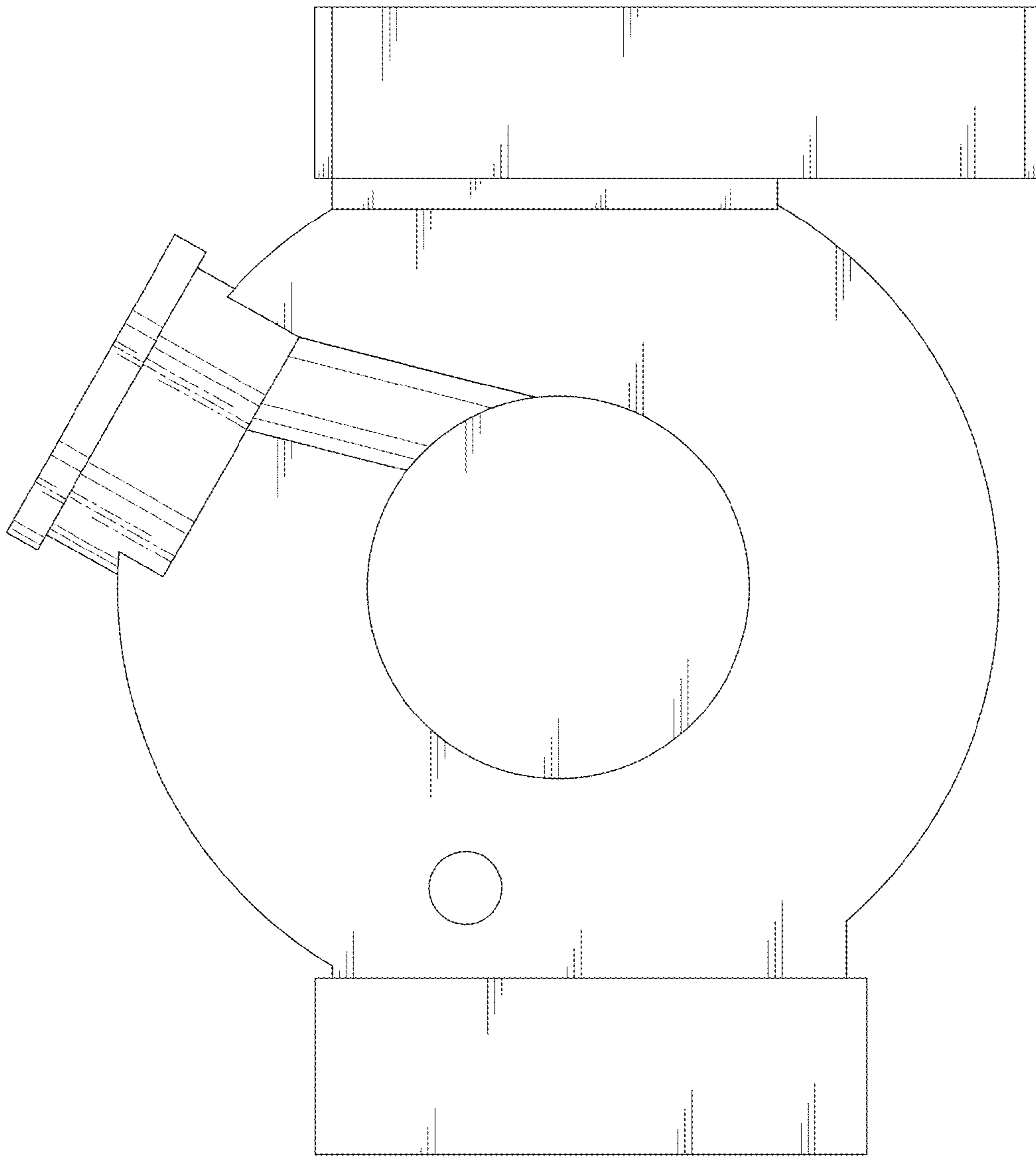


FIG. 3

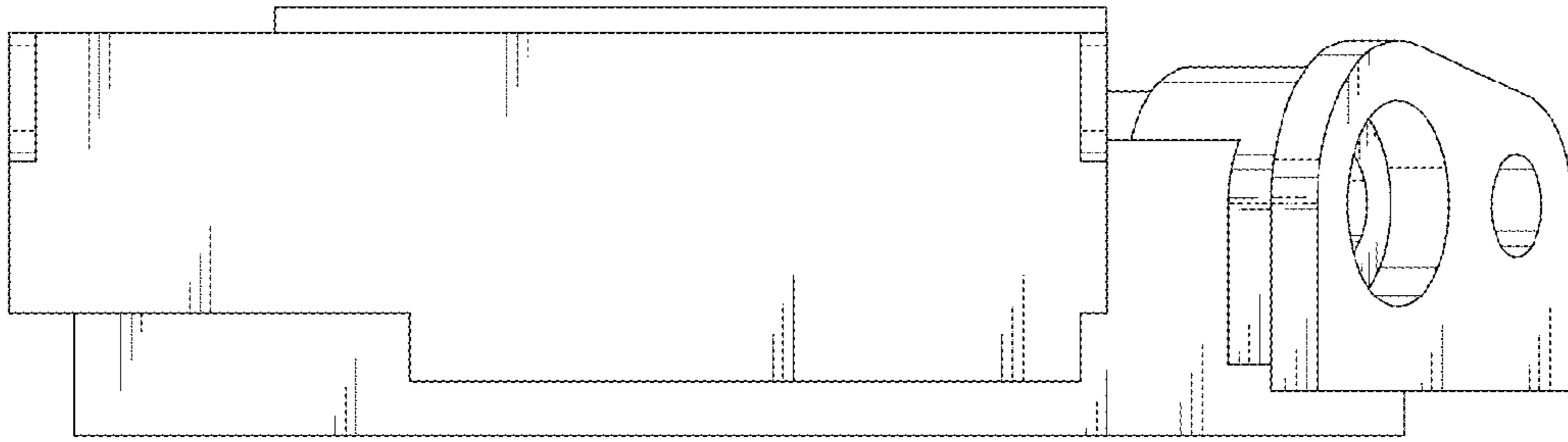


FIG. 4

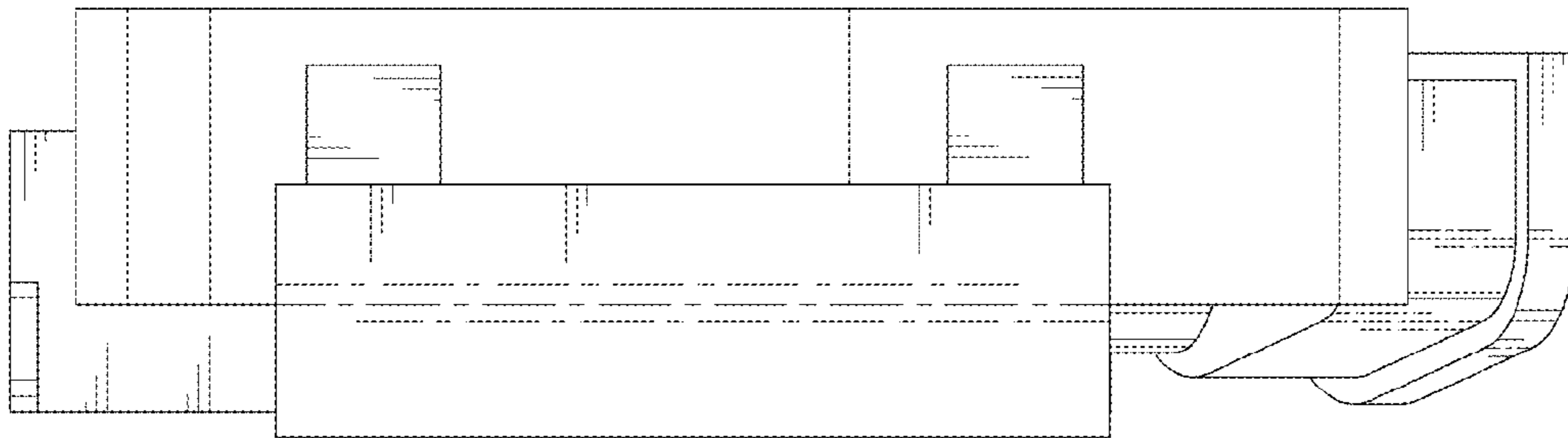


FIG. 5

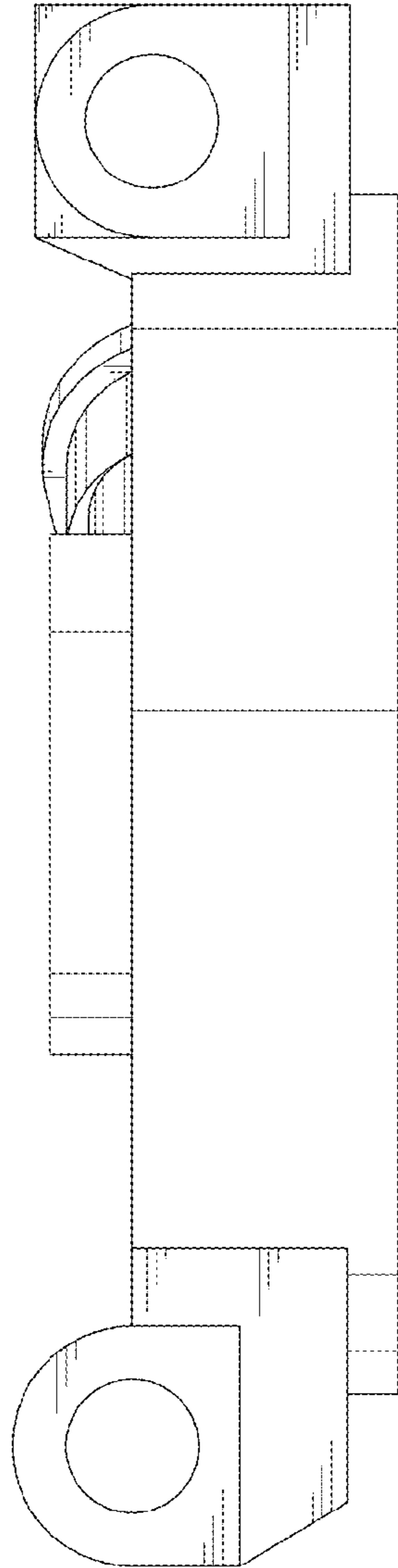


FIG. 6

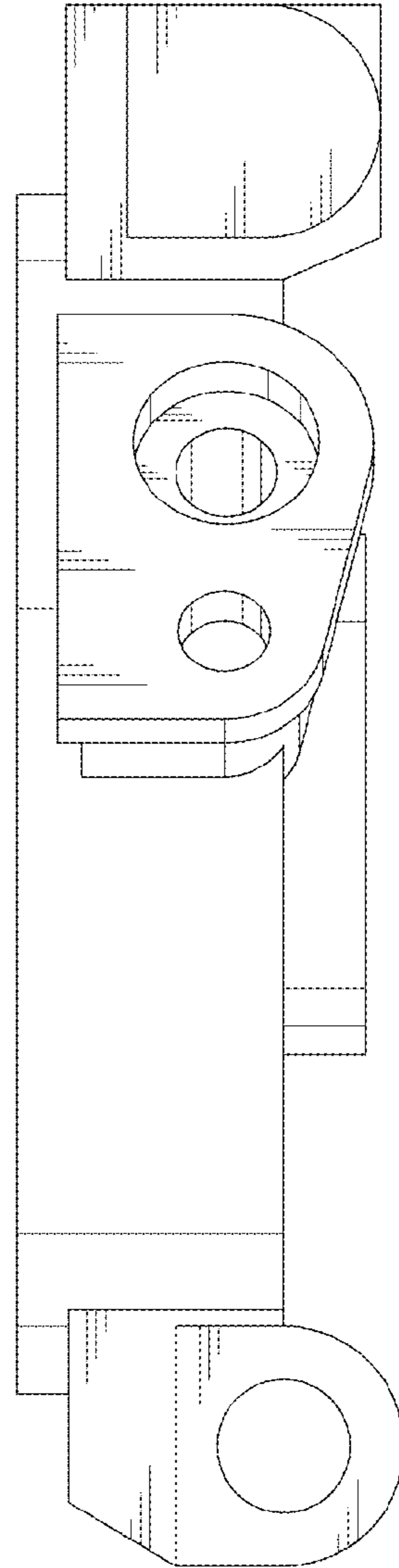


FIG. 7

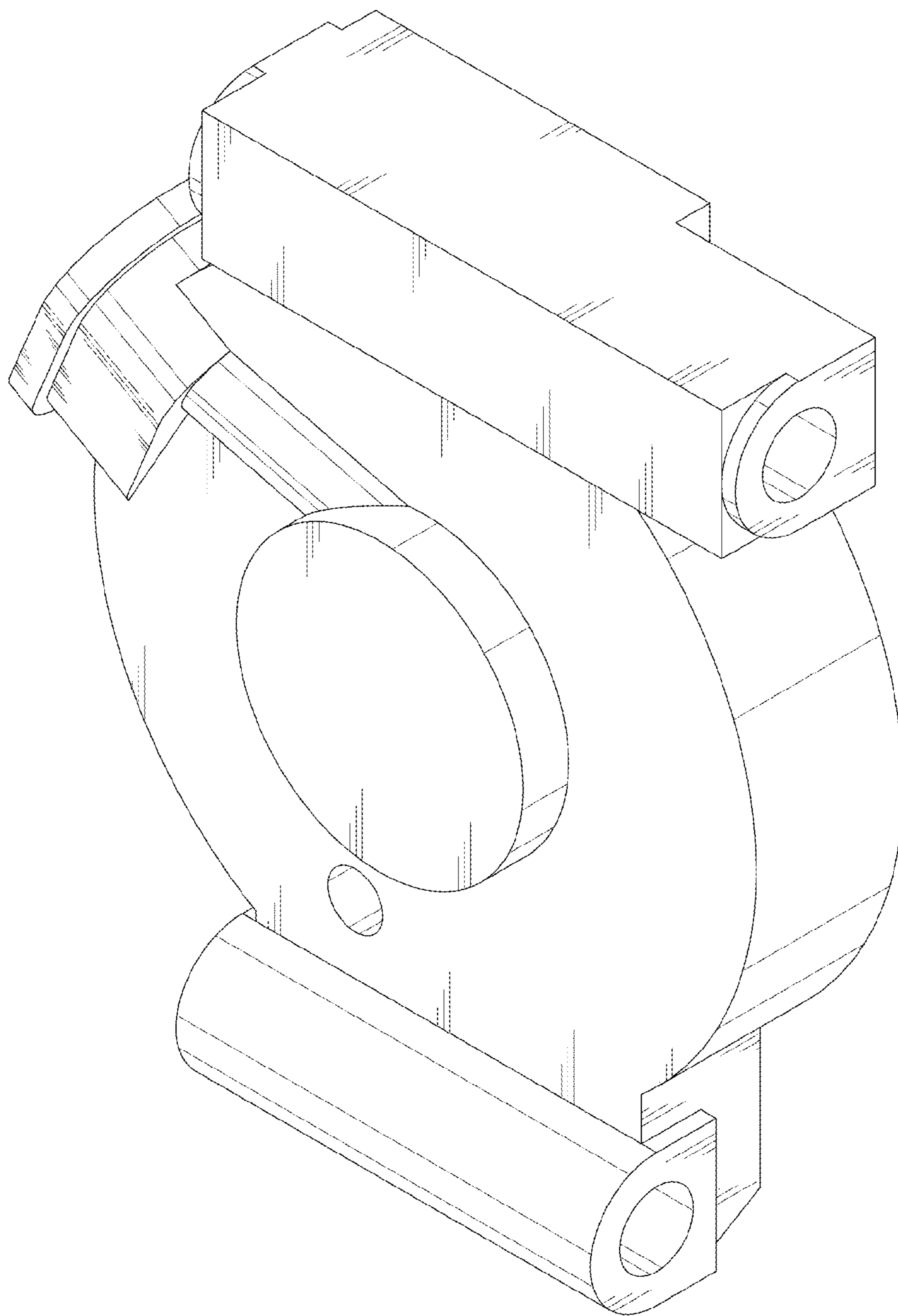


FIG. 8

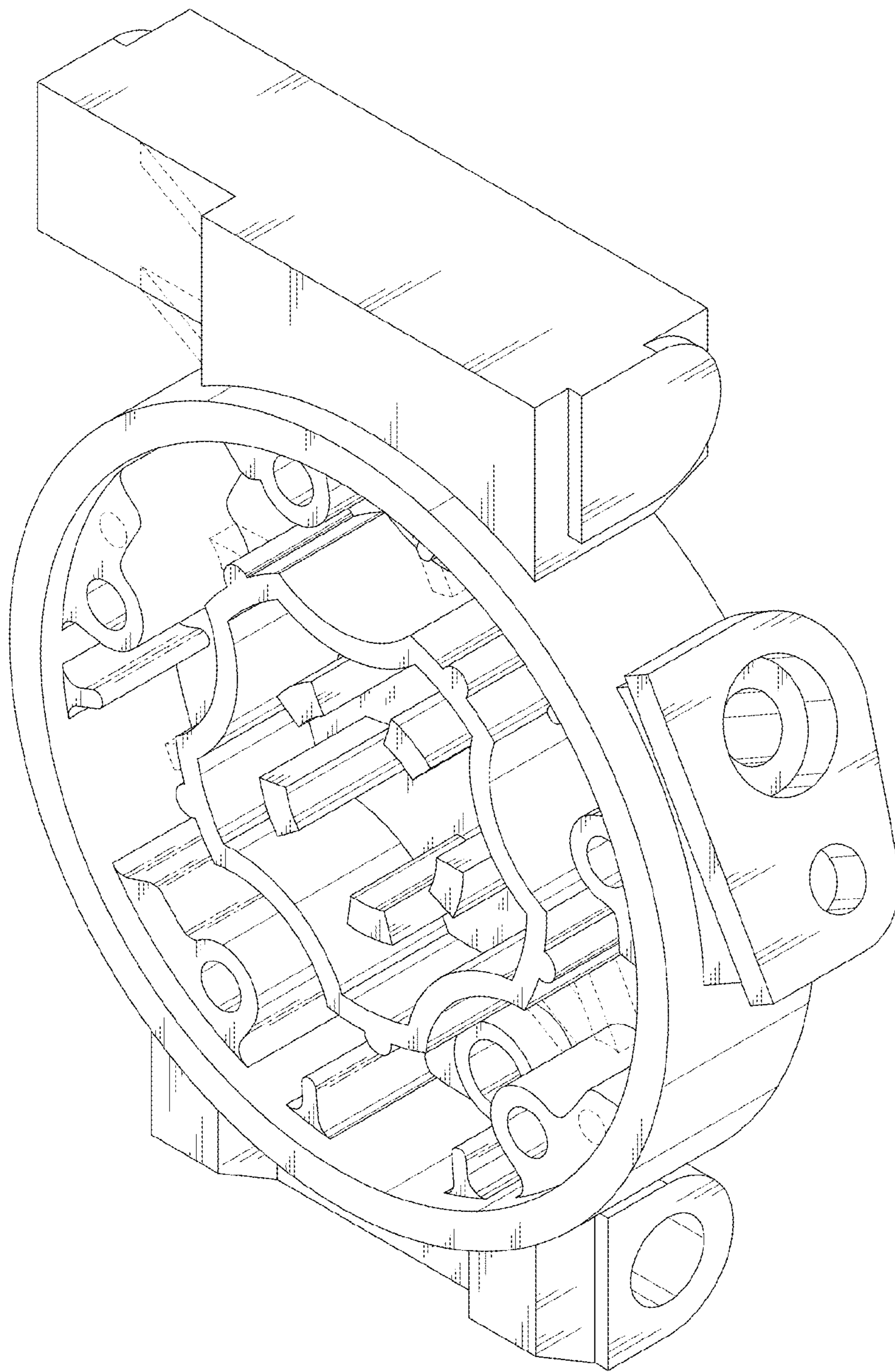


FIG. 9

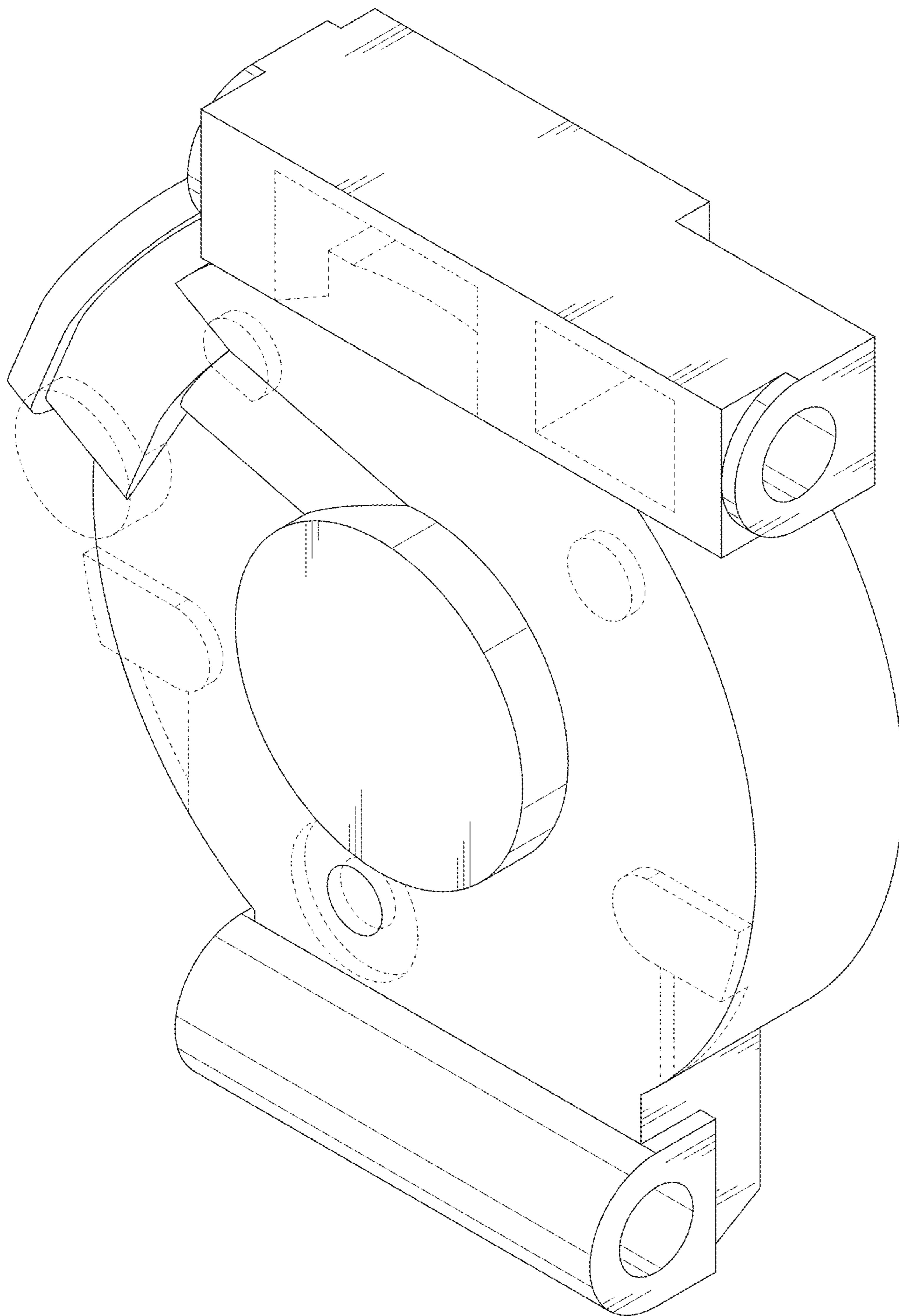


FIG. 10