



US00D710388S

(12) **United States Design Patent**
Okuyama et al.

(10) **Patent No.:** **US D710,388 S**

(45) **Date of Patent:** **** Aug. 5, 2014**

(54) **ENGINE FOR A BOAT**

(71) Applicant: **Yanmar Co., Ltd.**, Osaka (JP)

(72) Inventors: **Kiyoyuki Okuyama**, Yamagata (JP);
Nobuaki Hiromatsu, Osaka (JP);
Kazuki Maetani, Osaka (JP)

(73) Assignee: **Yanmar Co., Ltd.**, Osaka (JP)

(**) Term: **14 Years**

(21) Appl. No.: **29/479,688**

(22) Filed: **Jan. 17, 2014**

(30) **Foreign Application Priority Data**

Jul. 23, 2013 (JP) 2013-16739

(51) **LOC (10) Cl.** **15-01**

(52) **U.S. Cl.**
USPC **D15/4**

(58) **Field of Classification Search**
USPC D15/1-5, 149; 123/195 P; 440/3, 4,
440/88 R, 52; D12/317, 181

See application file for complete search history.

(56) **References Cited**

U.S. PATENT DOCUMENTS

D512,438 S * 12/2005 Matsunami et al. D15/5
D517,568 S * 3/2006 Pfeiffer D15/5
7,275,513 B2 * 10/2007 Nonogaki et al. 123/195 C

* cited by examiner

Primary Examiner — T. Chase Nelson

Assistant Examiner — Ania Aman

(74) *Attorney, Agent, or Firm* — Sterne, Kessler, Goldstein & Fox P.L.L.C.

(57) **CLAIM**

The ornamental design for an engine for a boat, as shown and described.

DESCRIPTION

FIG. 1 is a top front perspective view of an engine for a boat showing our new design;

FIG. 2 is a top rear perspective view thereof;

FIG. 3 is a top plan view thereof;

FIG. 4 is a front view thereof;

FIG. 5 is a rear view thereof;

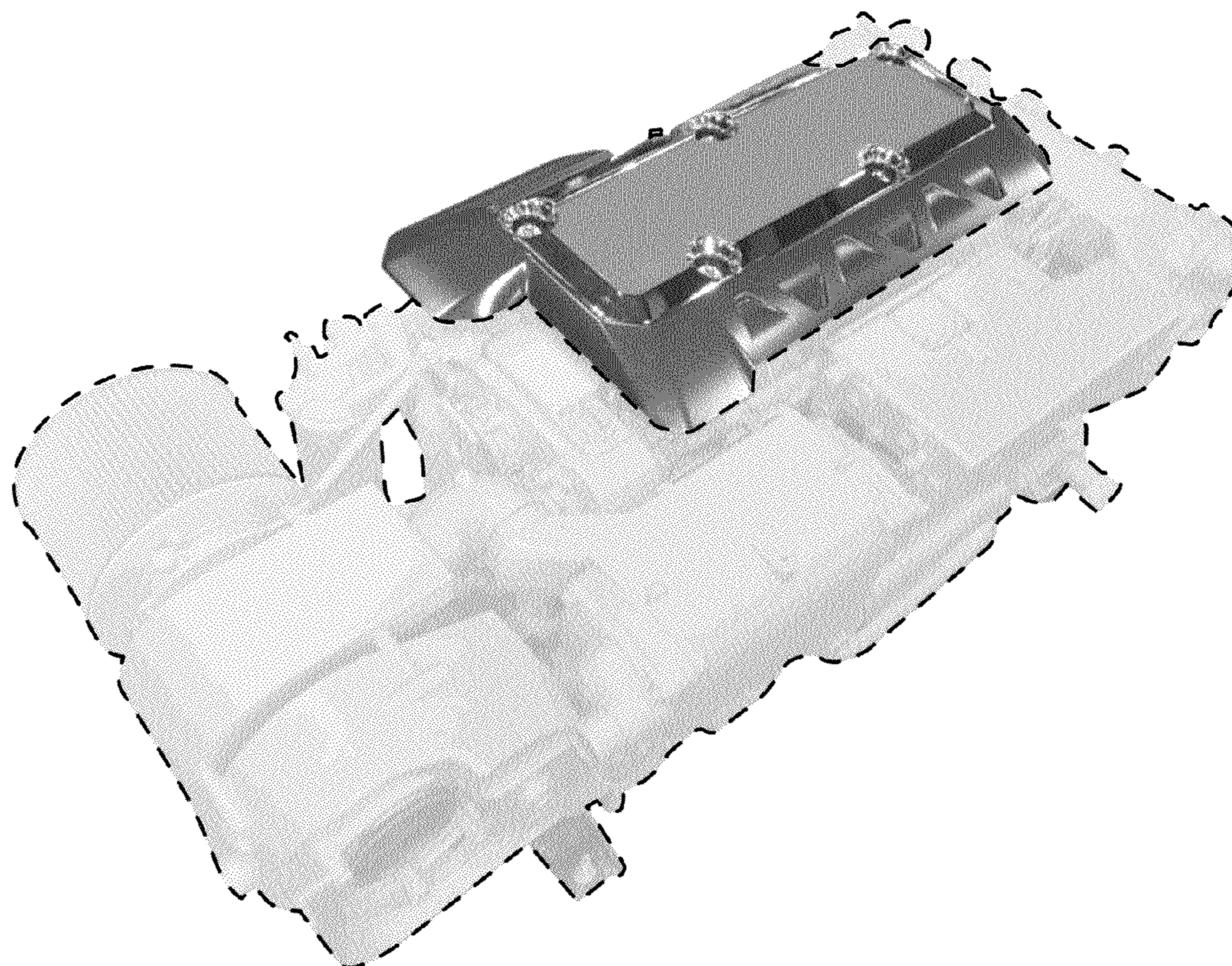
FIG. 6 is a left side view thereof;

FIG. 7 is a right side view thereof; and,

FIG. 8 is another top front perspective view of the engine for a boat in FIG. 1.

The broken lines in FIGS. 1 through 7 illustrate portions of the engine for a boat that are not part of the claimed design.

1 Claim, 8 Drawing Sheets



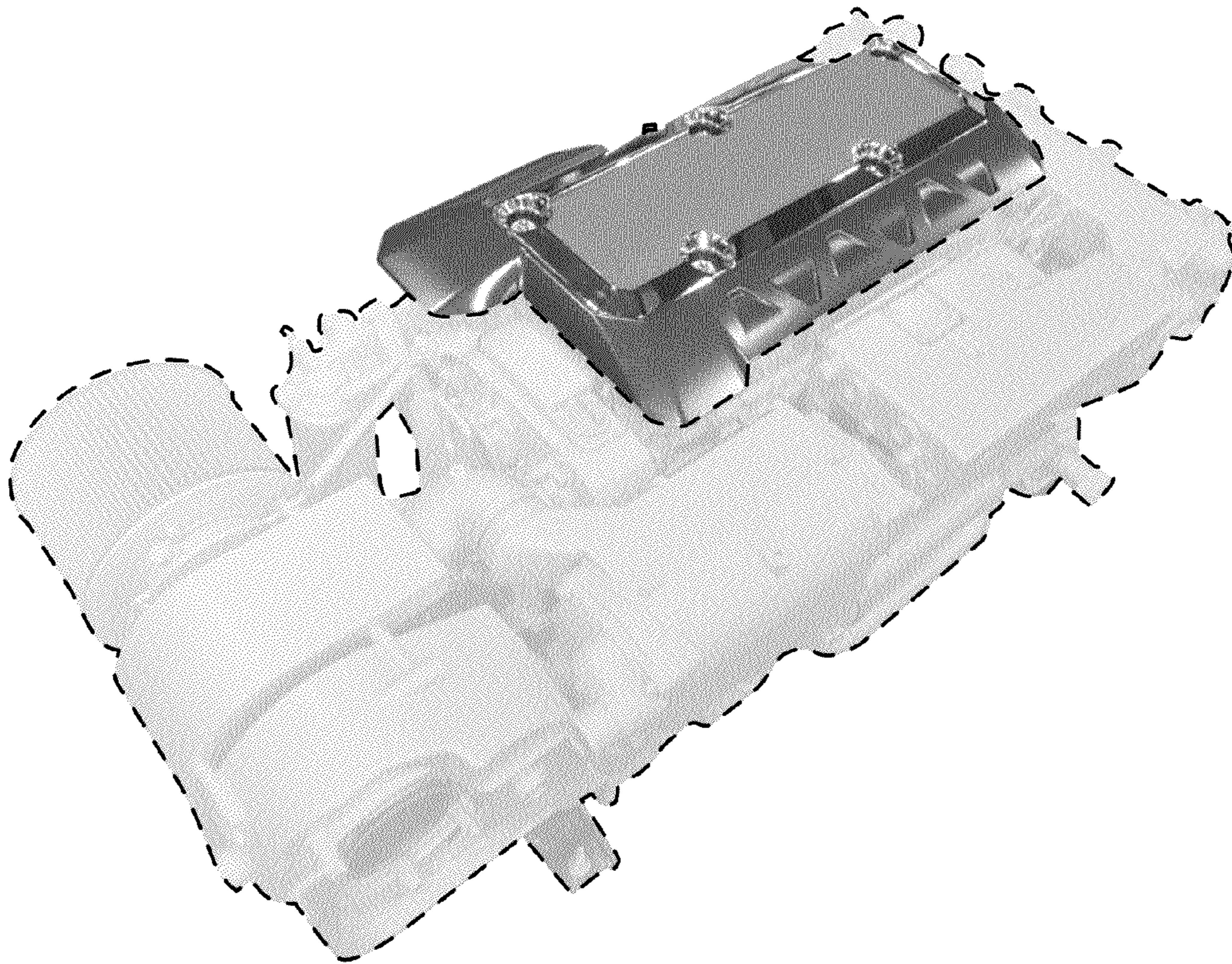


FIG. 1

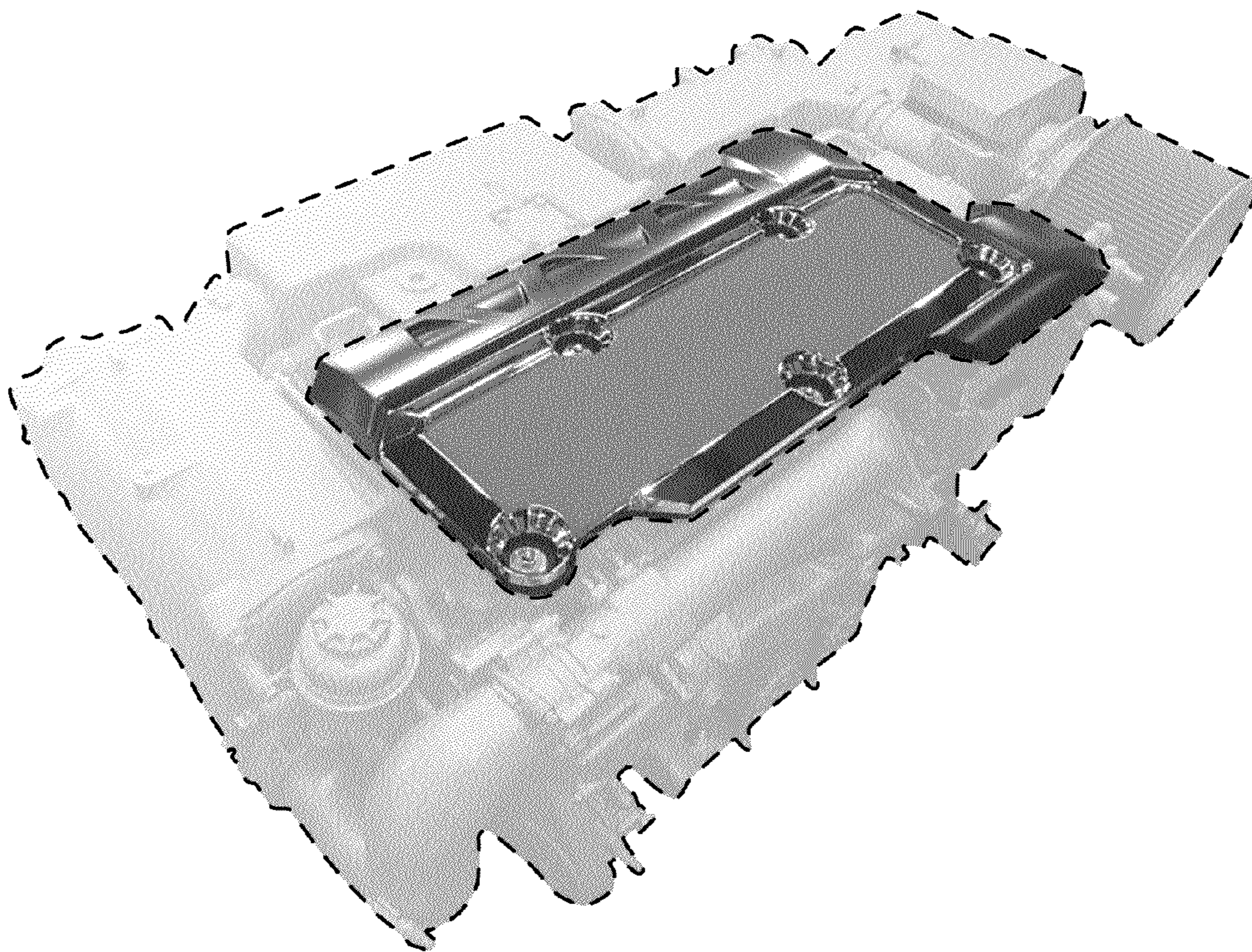


FIG. 2

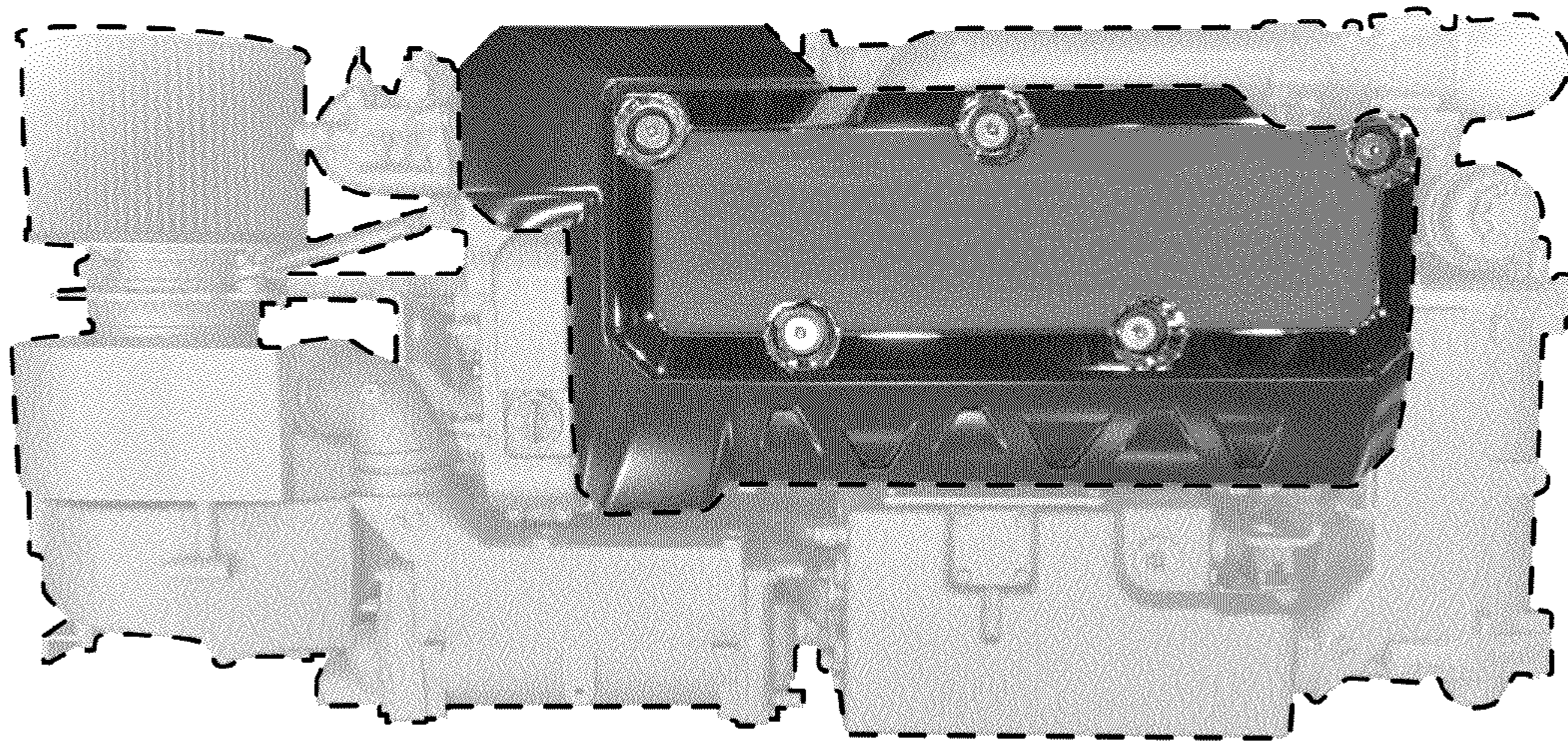


FIG. 3

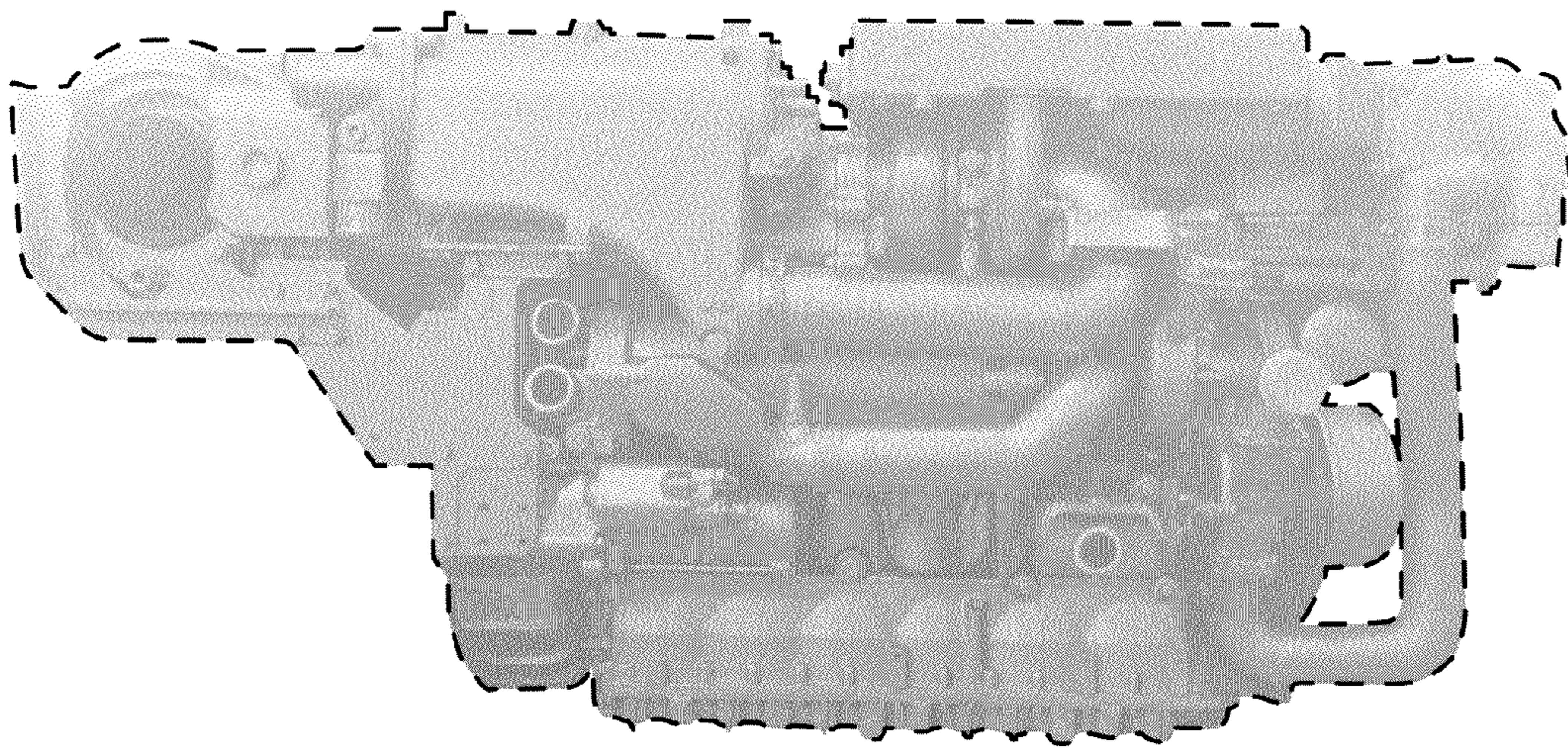


FIG. 4

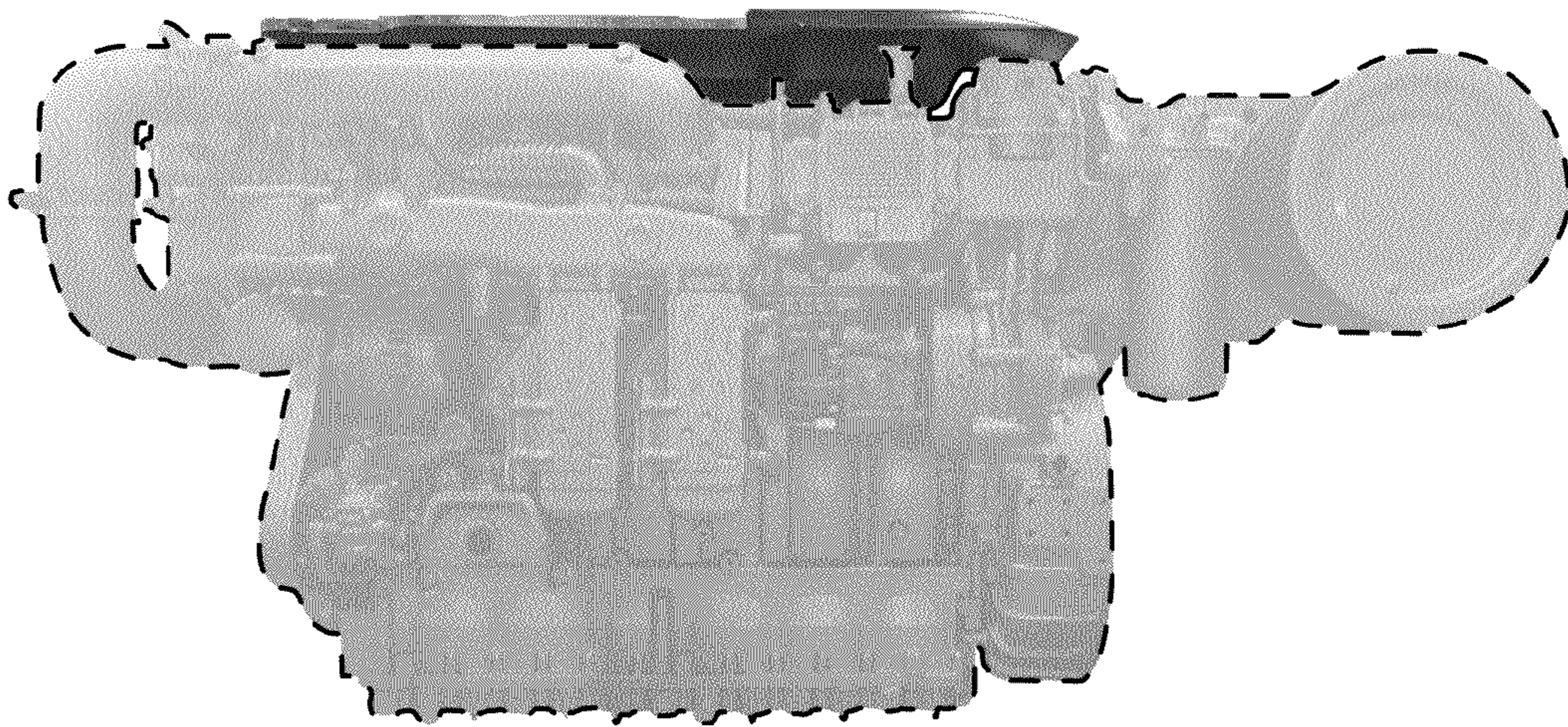


FIG. 5

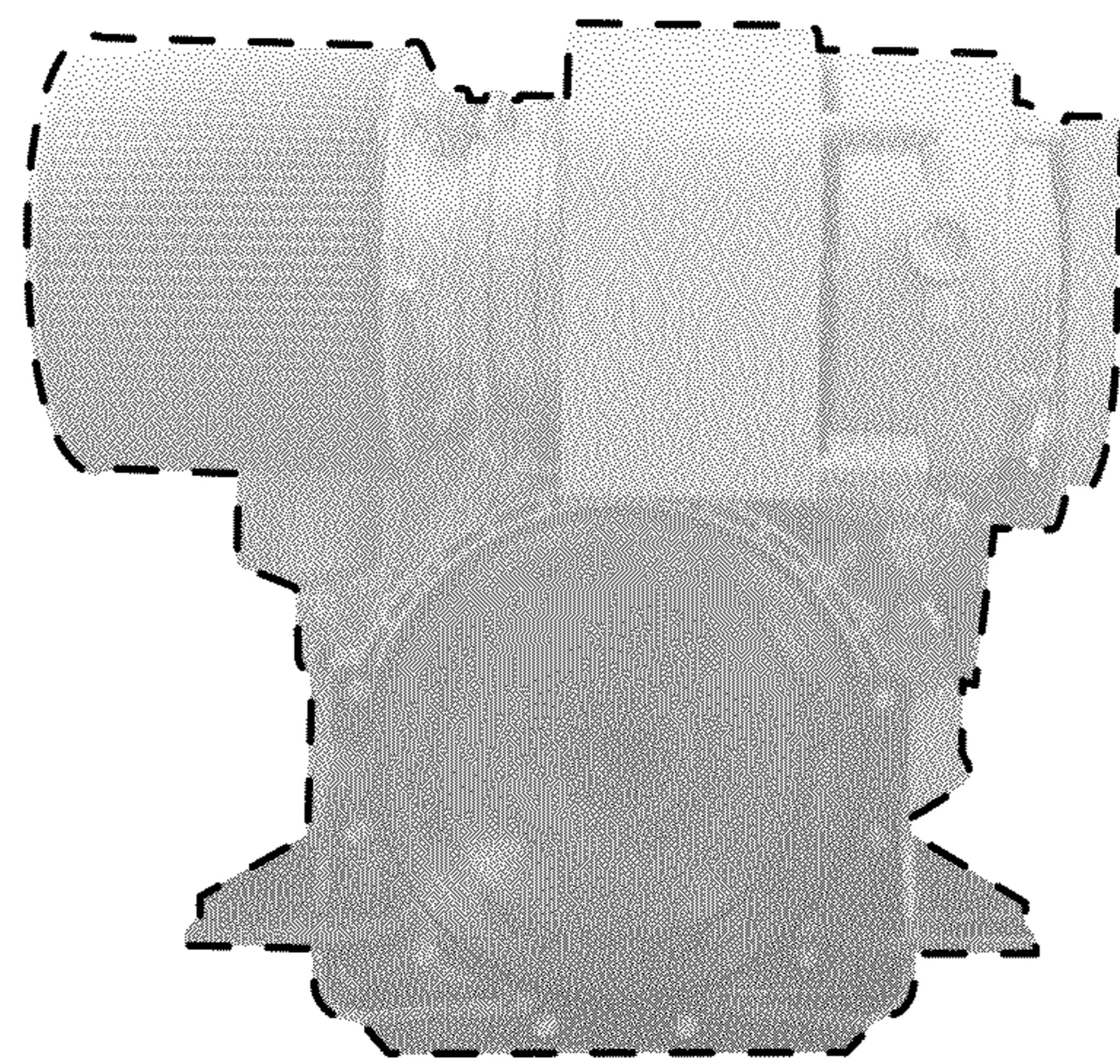


FIG. 6

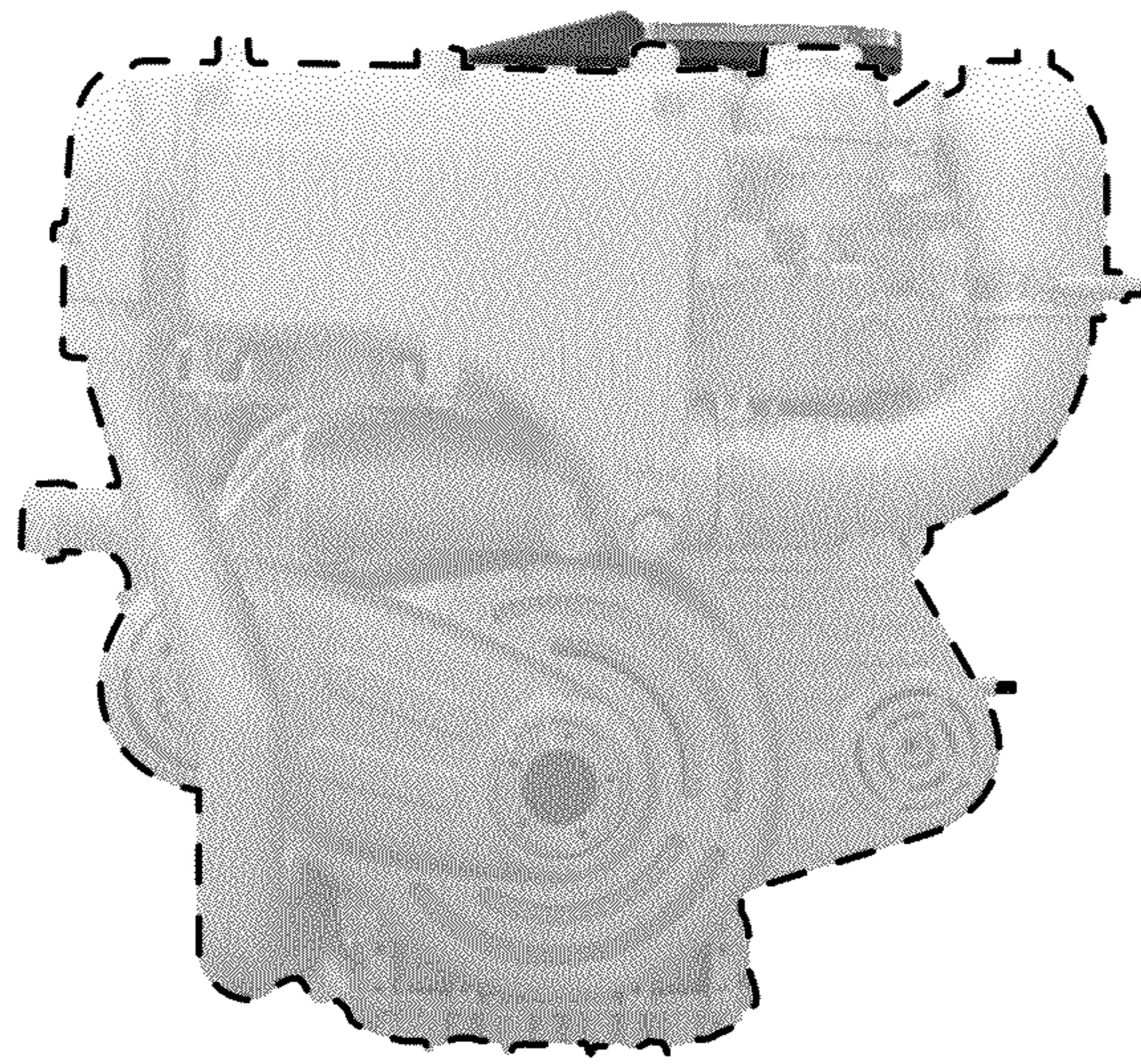


FIG. 7



FIG. 8