



US00D710386S

(12) **United States Design Patent**  
**Aglassinger**

(10) **Patent No.:** **US D710,386 S**

(45) **Date of Patent:** **\*\* Aug. 5, 2014**

(54) **SOUND REPRODUCTION EQUIPMENT**

(56) **References Cited**

(71) Applicant: **Robert Bosch GmbH**, Stuttgart (DE)

U.S. PATENT DOCUMENTS

(72) Inventor: **Hans-Peter Aglassinger**, Esslingen (DE)

3,525,552	A *	8/1970	Oberthur .....	303/9.75
3,985,201	A *	10/1976	Kloster .....	181/163
4,190,739	A *	2/1980	Torffield .....	381/305
6,204,830	B1 *	3/2001	Raussi .....	345/10
D597,557	S *	8/2009	Hu .....	D14/496
D651,618	S *	1/2012	Barley .....	D14/496
D660,287	S *	5/2012	McManigal .....	D14/217
D680,086	S *	4/2013	Kaku .....	D14/125
D681,612	S *	5/2013	Palacios .....	D14/238.1
D692,460	S *	10/2013	Zunker .....	D14/496
8,553,890	B2 *	10/2013	Yokota .....	381/1
D696,297	S *	12/2013	Fang .....	D14/496
8,616,327	B1 *	12/2013	Palacios .....	181/175

(73) Assignee: **Robert Bosch GmbH**, Stuttgart (DE)

(\*\*) Term: **14 Years**

(21) Appl. No.: **29/453,101**

(22) Filed: **Apr. 25, 2013**

\* cited by examiner

(30) **Foreign Application Priority Data**

Oct. 25, 2012 (EM) ..... 002124578

*Primary Examiner* — Prabhakar Deshmukh

(74) *Attorney, Agent, or Firm* — Maginot, Moore & Beck

(51) **LOC (10) Cl.** ..... **14-03**

(57) **CLAIM**

The ornamental design for sound reproduction equipment, as shown and described.

(52) **U.S. Cl.**

USPC ..... **D14/496**

**DESCRIPTION**

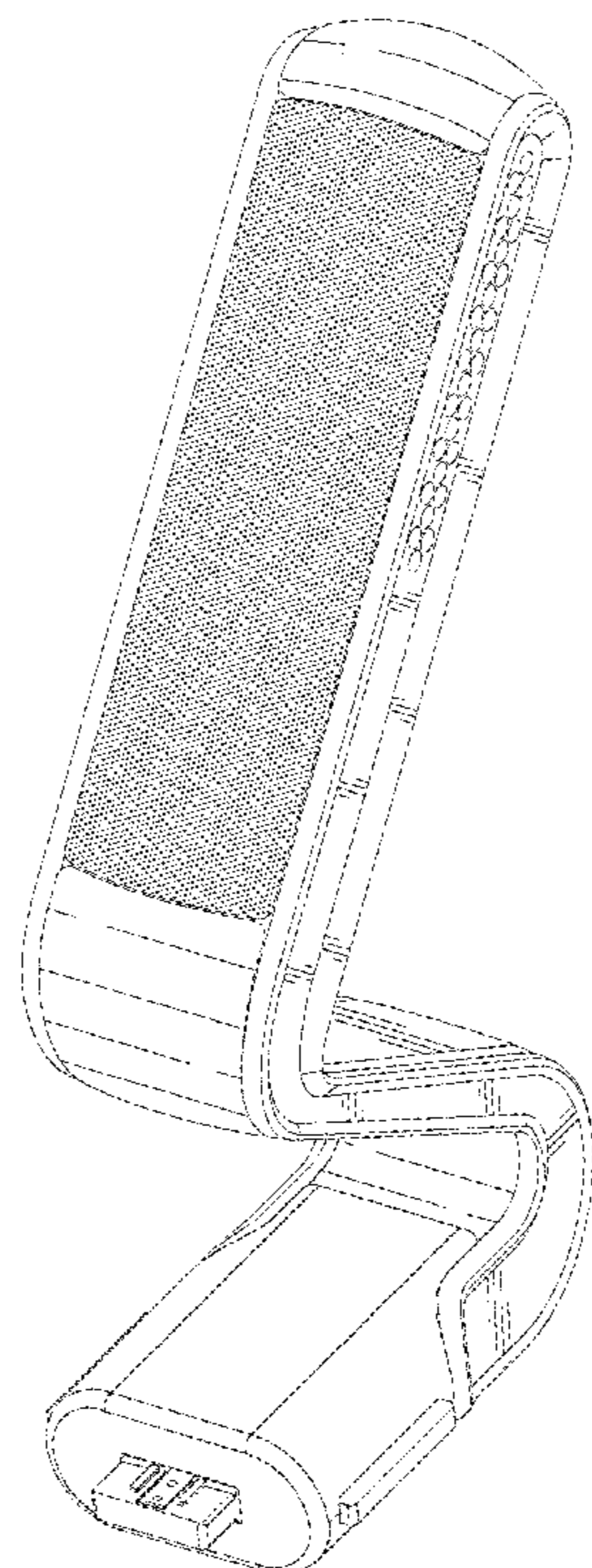
(58) **Field of Classification Search**

USPC ..... D14/204, 204.1, 210-216, 172, 209.1,  
D14/496, 474, 160, 167, 168, 188, 203.8,  
D14/238.1, 260, 265; 181/143, 144, 147,  
181/148, 150-153, 157, 198, 199, 175, 210,  
181/211, 123-125; 381/300-306, 332, 333,  
381/336, 345, 361-364, 1, 2, 61, 71.1, 73.1,  
381/94.1

FIG. 1 is a perspective view of sound reproduction equipment showing my new design;  
FIG. 2 is a right side elevation view thereof;  
FIG. 3 is a left side elevation view thereof;  
FIG. 4 is a front elevation view thereof;  
FIG. 5 is a rear elevation thereof;  
FIG. 6 is a top plan view thereof; and,  
FIG. 7 is a bottom plan view thereof.  
The broken lines indicate unclaimed portions and form no part of the claimed design.

See application file for complete search history.

**1 Claim, 7 Drawing Sheets**



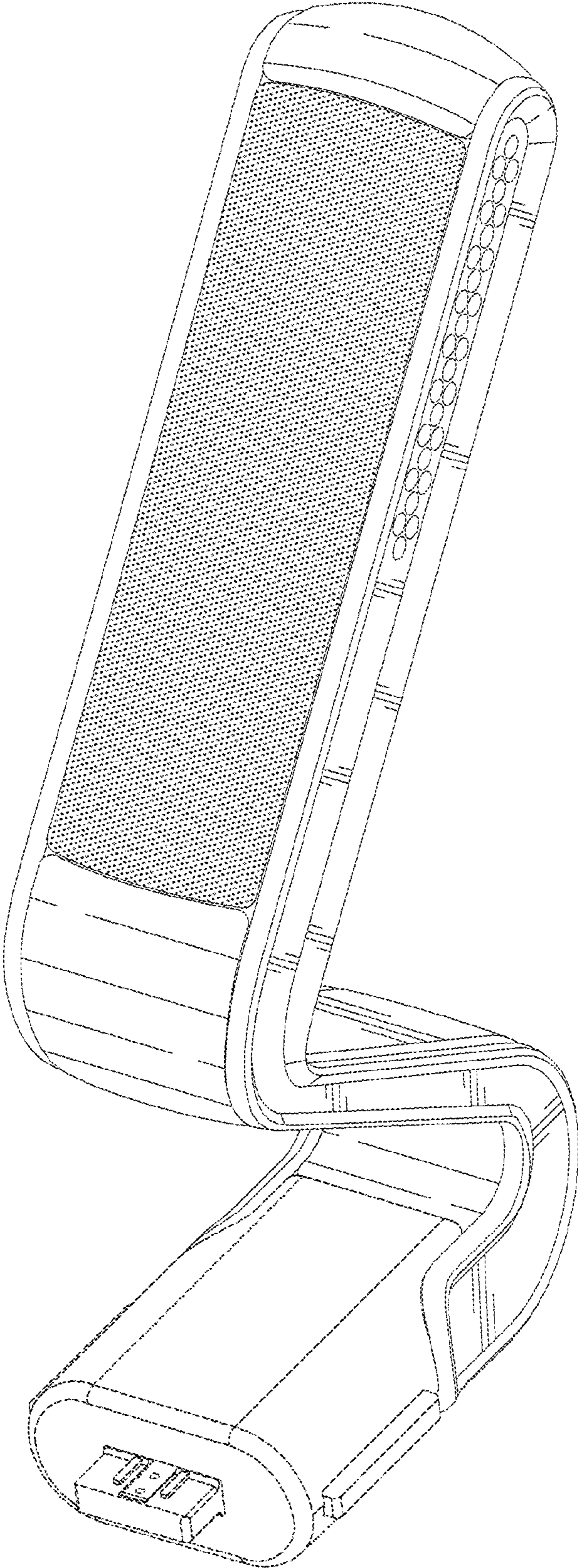


Fig. 1

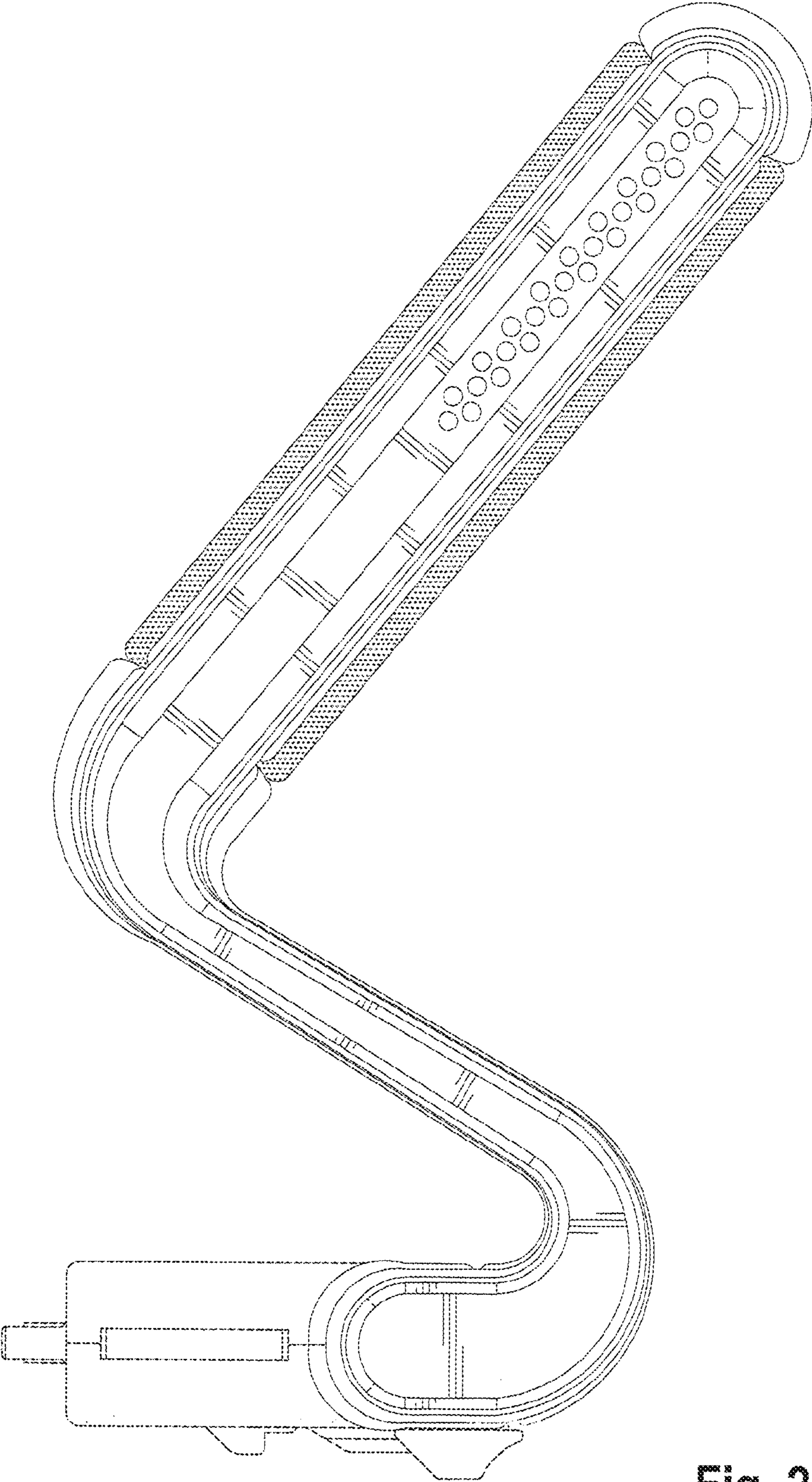


Fig. 2

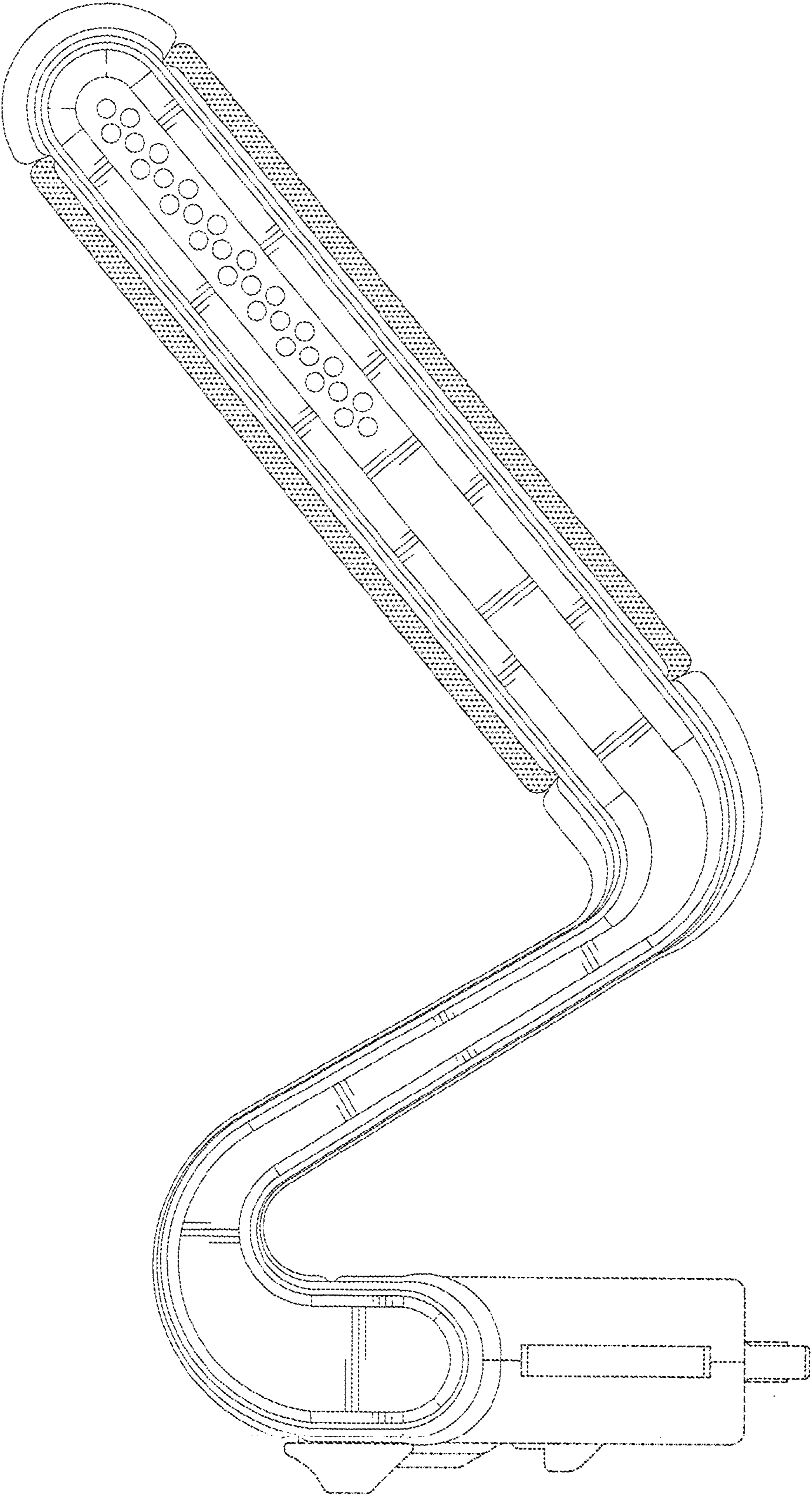


Fig. 3

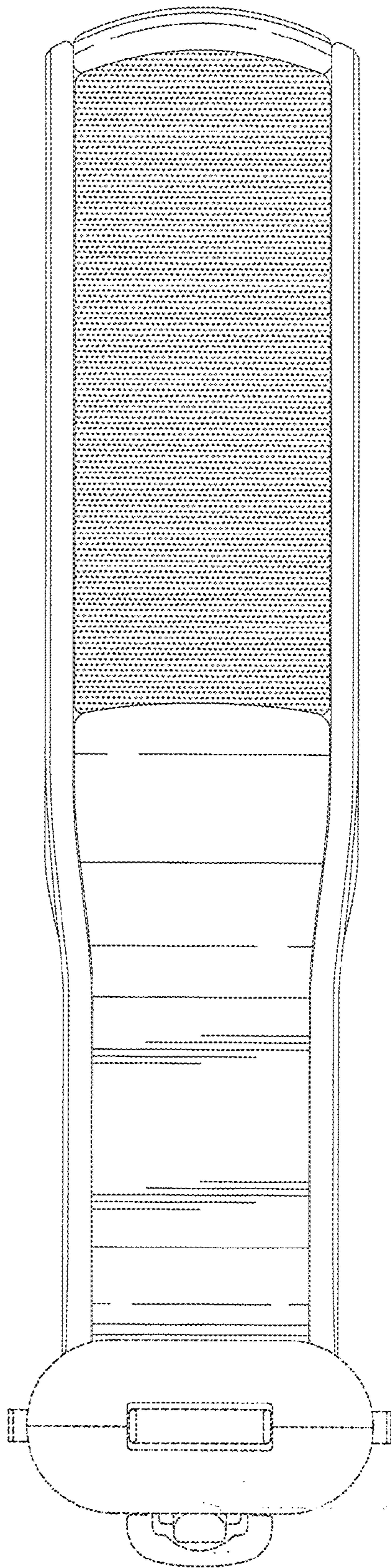


Fig. 4

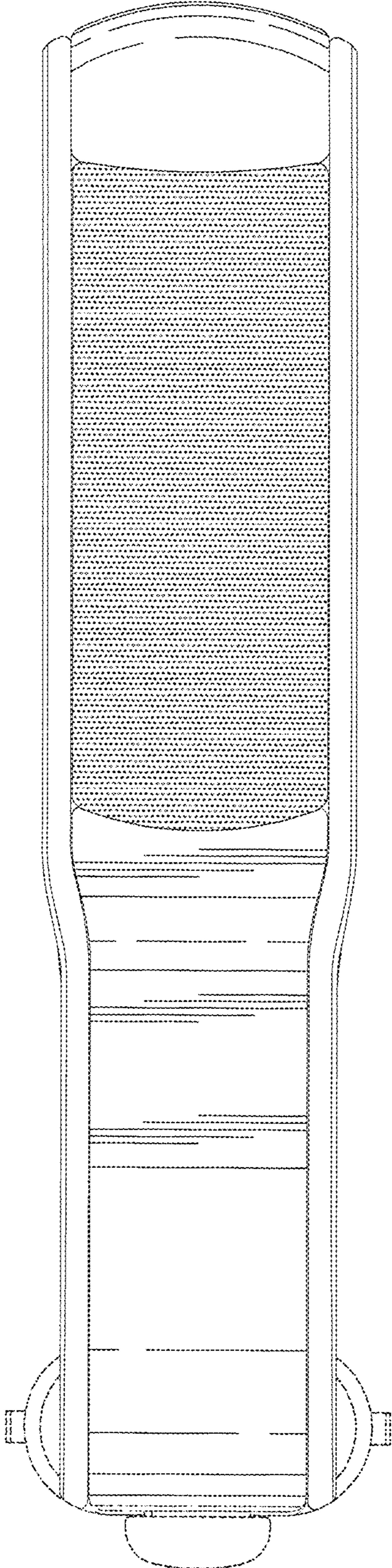


Fig. 5

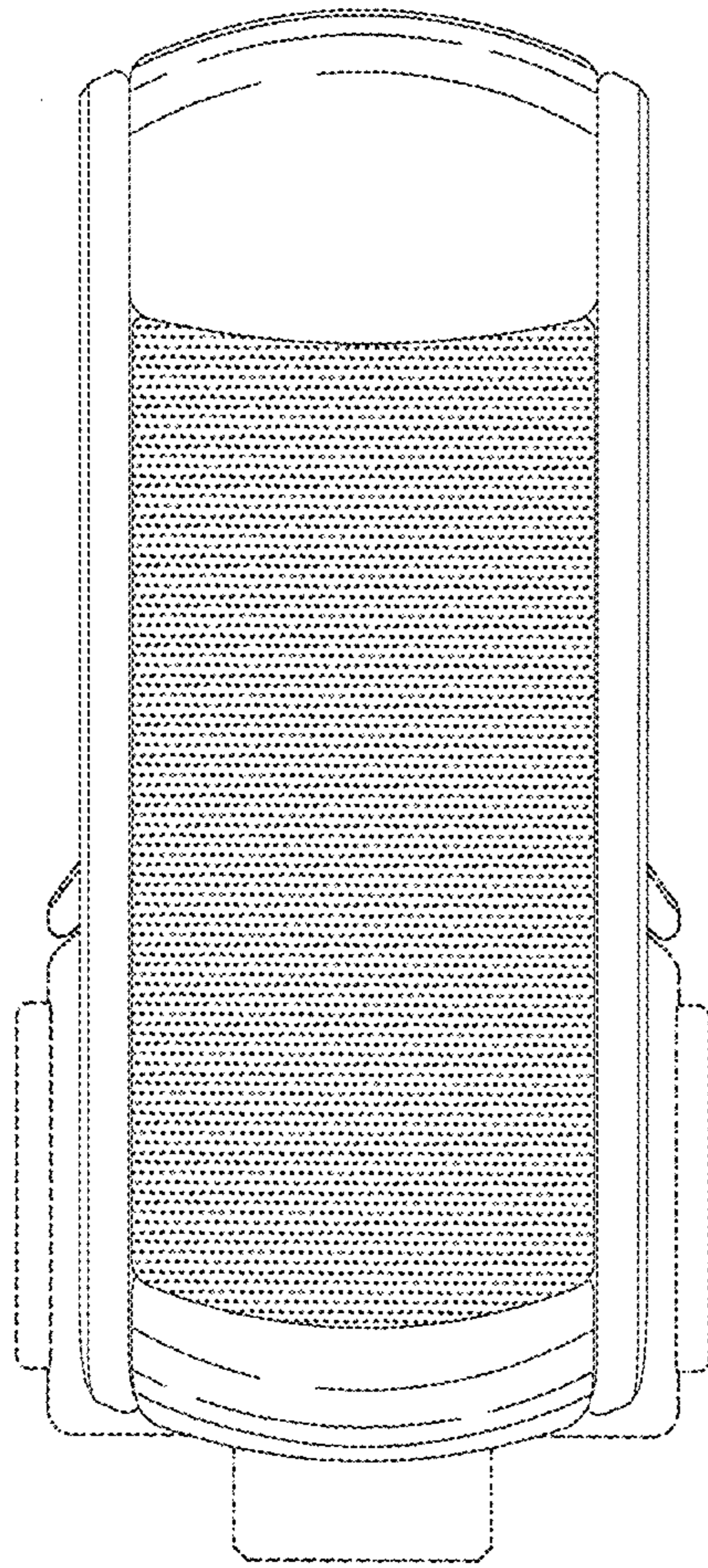


Fig. 6

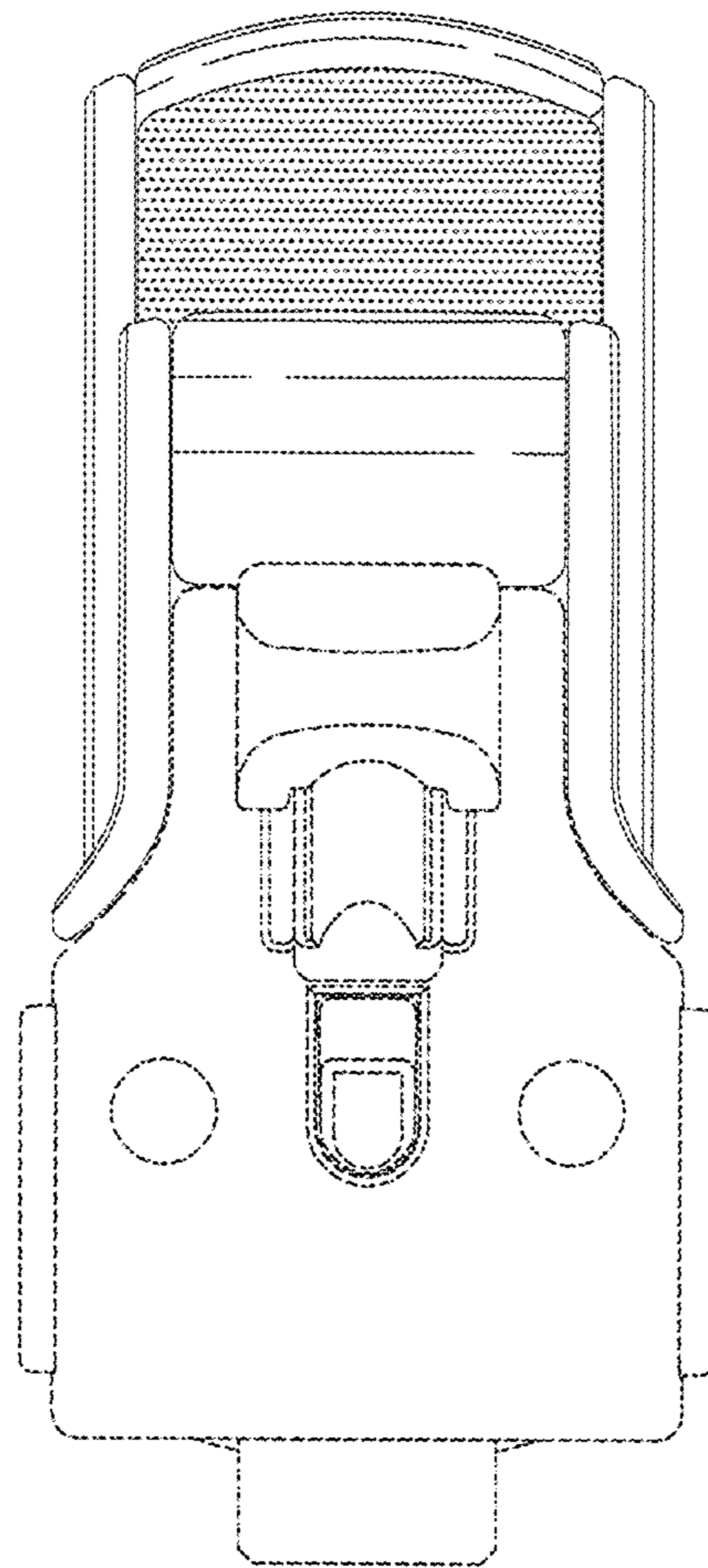


Fig. 7