



US00D710383S

(12) **United States Design Patent**  
**Umezawa et al.**

(10) **Patent No.:** **US D710,383 S**  
(45) **Date of Patent:** **\*\* Aug. 5, 2014**

(54) **DISPLAY SCREEN WITH CHANGEABLE GRAPHIC**

(71) Applicants: **Asaki Umezawa**, Setagaya-ku (JP);  
**Sachiko Fukumaru**, Meguro-ku (JP);  
**Daisuke Taniuchi**, Meguro-ku (JP);  
**Mikane Ichikawa**, Kamakura (JP); **Ryo Furutani**, Yokohama (JP)

(72) Inventors: **Asaki Umezawa**, Setagaya-ku (JP);  
**Sachiko Fukumaru**, Meguro-ku (JP);  
**Daisuke Taniuchi**, Meguro-ku (JP);  
**Mikane Ichikawa**, Kamakura (JP); **Ryo Furutani**, Yokohama (JP)

(73) Assignee: **Ricoh Company, Ltd.**, Tokyo (JP)

(\*\*) Term: **14 Years**

(21) Appl. No.: **29/447,645**

(22) Filed: **Mar. 5, 2013**

(51) **LOC (10) Cl.** ..... **14-04**

(52) **U.S. Cl.**  
USPC ..... **D14/493**

(58) **Field of Classification Search**  
USPC ..... D14/485–495; 715/835, 710, 812, 777,  
715/719, 727, 764; 701/414, 411, 117, 432,  
701/437

See application file for complete search history.

(56) **References Cited**

U.S. PATENT DOCUMENTS

5,140,678	A *	8/1992	Torres	.....	715/777
D385,546	S *	10/1997	Levin et al.	.....	D14/495
D393,839	S *	4/1998	Morioka et al.	.....	D14/493
D413,876	S *	9/1999	Prabhu et al.	.....	D14/492
D421,251	S *	2/2000	Haitani et al.	.....	D14/491
D422,987	S *	4/2000	Hwang et al.	.....	D14/492

D534,181	S *	12/2006	Gusmorino et al.	.....	D14/492
D547,769	S *	7/2007	Griffith	.....	D14/492
D548,243	S *	8/2007	Griffith	.....	D14/492
D616,897	S *	6/2010	Chaudhri et al.	.....	D14/489
D624,934	S *	10/2010	Umezawa	.....	D14/493
D653,261	S *	1/2012	Ikenoue et al.	.....	D14/492
D667,458	S *	9/2012	Eby et al.	.....	D14/493
D678,323	S *	3/2013	Yoshida et al.	.....	D14/493
D678,903	S *	3/2013	Yoshida et al.	.....	D14/492
2011/0099518	A1 *	4/2011	Kifuku et al.	.....	715/810
2012/0124522	A1 *	5/2012	Ookuma	.....	715/840
2014/0027981	A1 *	1/2014	Olsen	.....	273/348

OTHER PUBLICATIONS

U.S. Appl. No. 29/447,648, filed Mar. 5, 2013, Umezawa, et al.

\* cited by examiner

*Primary Examiner* — Kevin Rudzinski

(74) *Attorney, Agent, or Firm* — Oblon, Spivak, McClelland, Maier & Neustadt, L.L.P.

(57) **CLAIM**

The ornamental design for a display screen with changeable graphic, as shown and described.

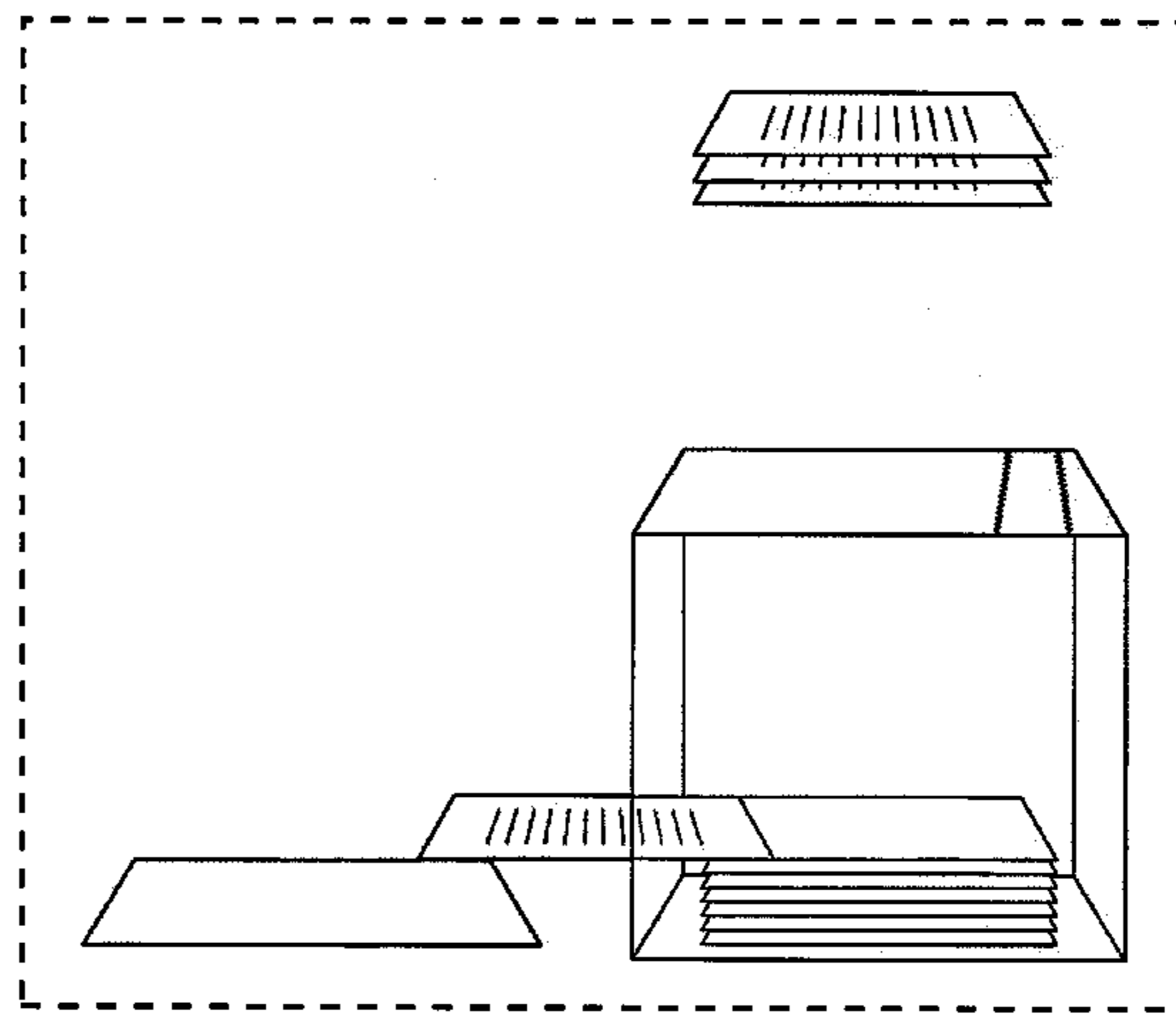
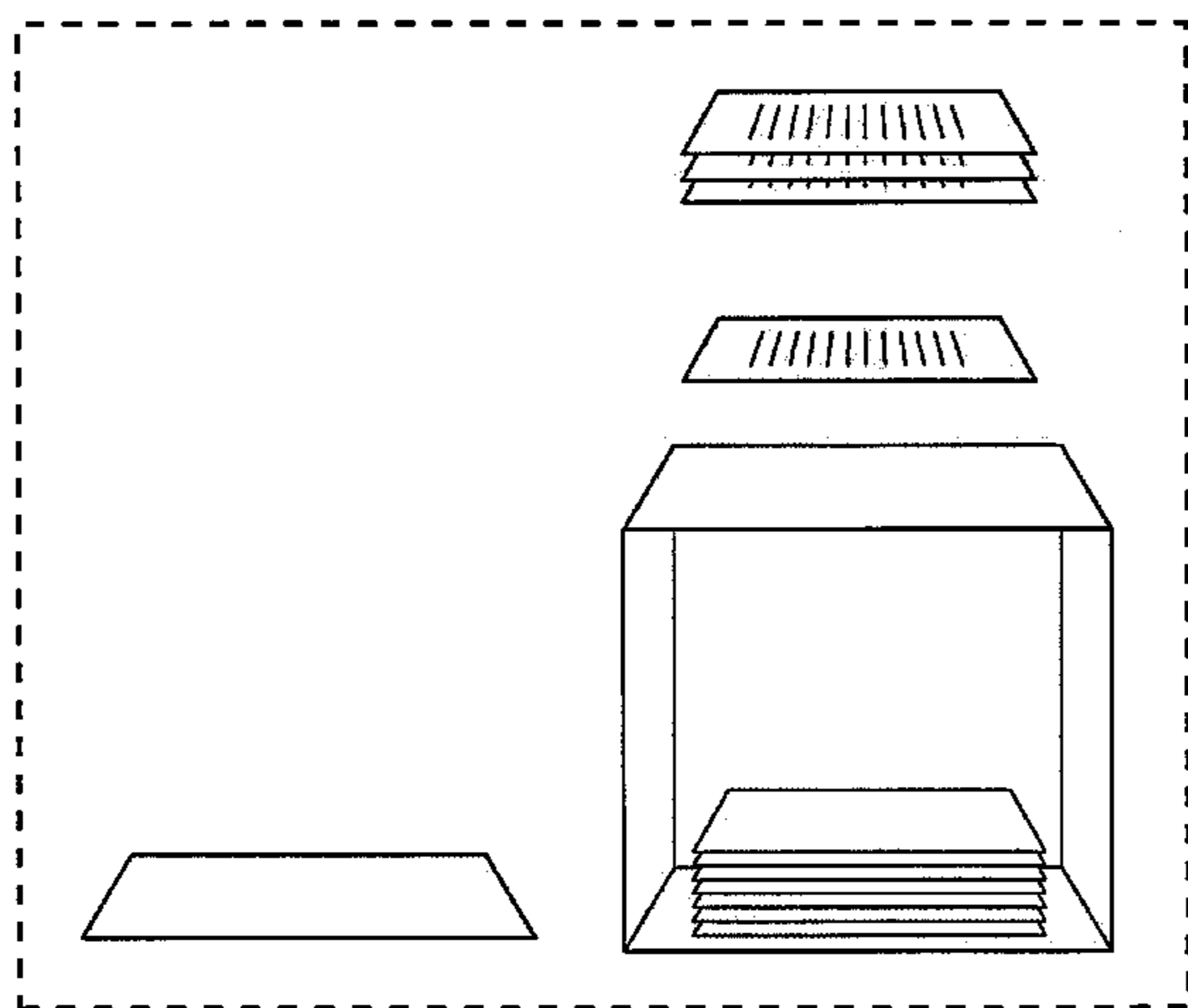
**DESCRIPTION**

FIG. 1 is the first image in a sequence for a display screen with changeable graphic showing our new design; FIG. 2 is the second image thereof; and, FIG. 3 is the third image thereof.

The appearance of the transitional image sequentially transitions between the images shown in FIGS. 1-3. The process or period in which one image transitions to another image forms no part of the claimed design.

The broken lines are for illustration purposes only and form no part of the claimed design. The portion of the display screen shown in broken lines forms no part of the claimed design.

**1 Claim, 3 Drawing Sheets**



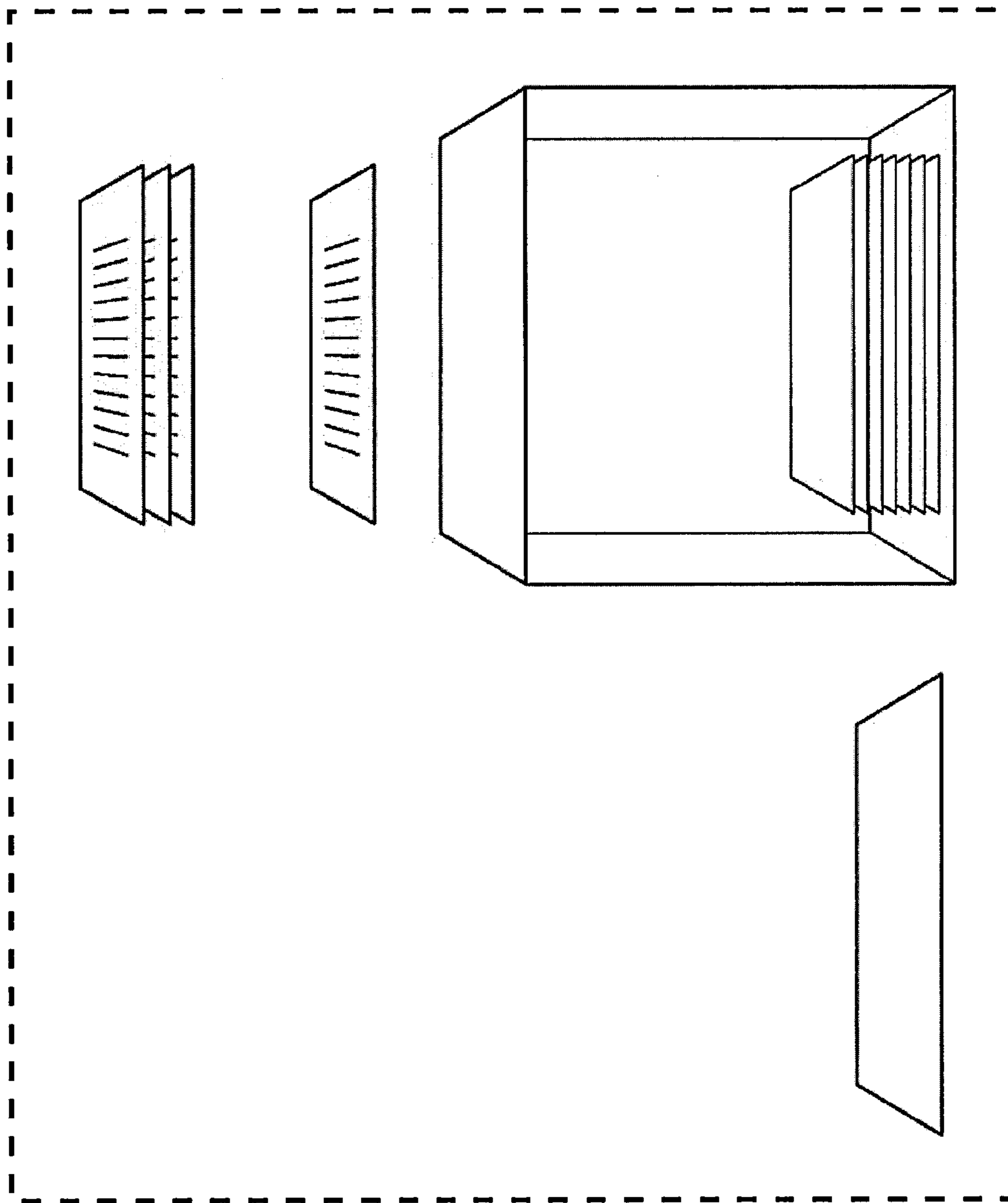


Fig. 1

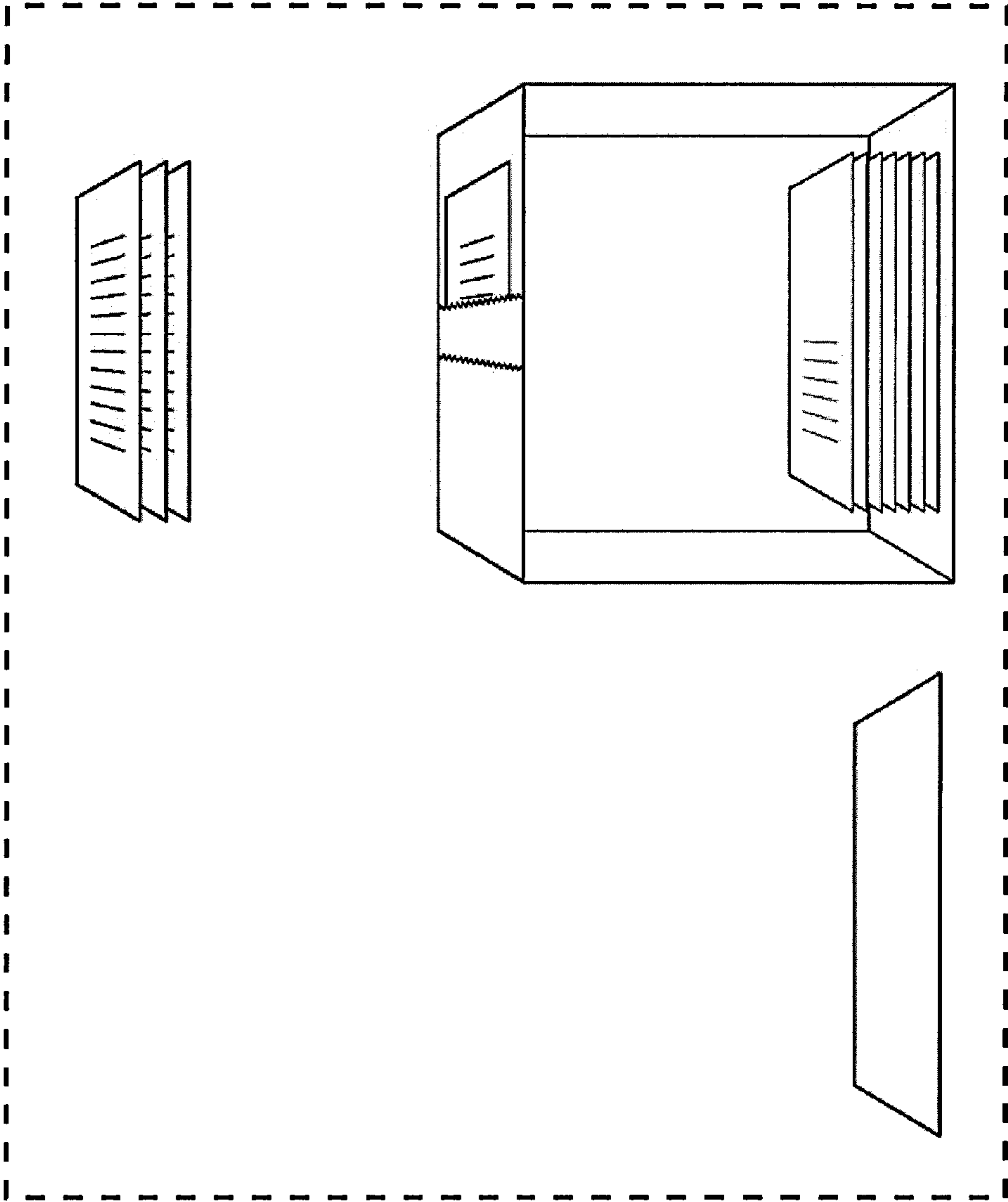


Fig. 2

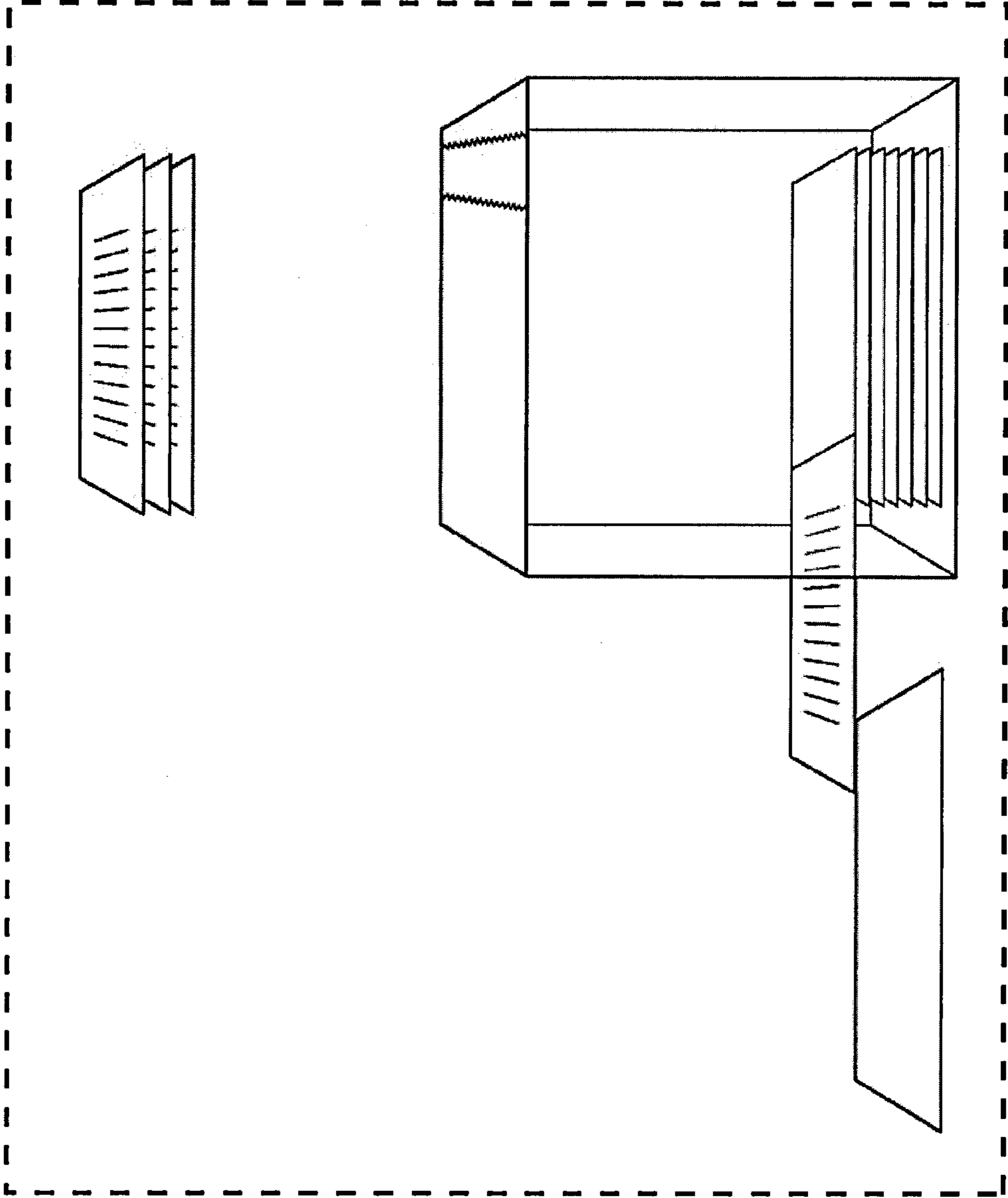


Fig. 3